

US00D946837S

(12) **United States Design Patent**
Zou

(10) **Patent No.:** **US D946,837 S**
(45) **Date of Patent:** **** Mar. 22, 2022**

- (54) **STEAMER**
- (71) Applicant: **FINE DRAGON TECHNOLOGY LIMITED**, Guangdong (CN)
- (72) Inventor: **Zhenren Zou**, Guangdong (CN)
- (73) Assignee: **FINE DRAGON TECHNOLOGY LIMITED**, Shenzhen (CN)
- (**) Term: **15 Years**
- (21) Appl. No.: **29/748,269**
- (22) Filed: **Aug. 27, 2020**
- (30) **Foreign Application Priority Data**

Aug. 4, 2020 (CN) 202030437668.9

- (51) **LOC (13) Cl.** **15-05**
- (52) **U.S. Cl.**
USPC **D32/17**
- (58) **Field of Classification Search**
USPC D32/17, 18, 21, 22, 23, 24, 31, 32, 33, D32/34
CPC A47L 11/34; A47L 11/40; A47L 11/4016; A47L 5/24; A47L 5/28; D06F 75/10; D06F 75/12; D06F 75/16; D06F 75/20; D06F 75/30; D06F 73/00; D06F 87/00; D06M 11/34
See application file for complete search history.

(56) **References Cited**
U.S. PATENT DOCUMENTS

D576,363	S *	9/2008	Reiner	D32/17
D592,365	S *	5/2009	Massip	D32/17
D622,457	S *	8/2010	Choi	D32/17
D646,029	S *	9/2011	Choi	D32/17
D663,909	S *	7/2012	Andreesen	D32/17
8,806,786	B2 *	8/2014	Jiang	D06F 73/00

38/75

9,074,314	B2 *	7/2015	Zhang	D06F 69/00
D776,887	S *	1/2017	Deffrennes	D32/17
9,567,705	B2 *	2/2017	Chua	D06F 75/30
9,745,691	B2 *	8/2017	Date	A47L 11/34
9,845,568	B2 *	12/2017	Fung	D06F 75/10
D826,492	S *	8/2018	Huang	D32/17
D842,559	S *	3/2019	Yang	D32/17
10,280,557	B2 *	5/2019	Kuan	D06F 81/08
10,287,726	B2 *	5/2019	Chua	D06F 75/00
D857,313	S *	8/2019	Smith	D32/17
D861,267	S *	9/2019	Chavana, Jr	D32/22
10,407,819	B2 *	9/2019	Chua	D06F 73/00
10,612,185	B2 *	4/2020	Javit	D06F 87/00
D915,696	S *	4/2021	Huang	D32/17
D920,606	S *	5/2021	Huang	D32/17
D921,305	S *	6/2021	Zhu	D32/17
D923,262	S *	6/2021	Li	D32/17
D925,151	S *	7/2021	Park	D32/70
D930,925	S *	9/2021	Wong	D32/17
2017/0241068	A1 *	8/2017	Lee	D06F 73/00

* cited by examiner

Primary Examiner — Kimberly Barnes

(57) **CLAIM**

The ornamental design for a steamer, as shown and described.

DESCRIPTION

FIG. 1 is a top, front and right side perspective view of a steamer showing my new design;
 FIG. 2 is a bottom, rear and left side perspective view thereof;
 FIG. 3 is a front elevational view thereof;
 FIG. 4 is a rear elevational view thereof;
 FIG. 5 is a left side view thereof;
 FIG. 6 is a right side view thereof;
 FIG. 7 is a top plan view thereof; and,
 FIG. 8 is a bottom plan view thereof.
 The broken lines in the drawings illustrate portions of the steamer which form no part of the claimed design.

1 Claim, 8 Drawing Sheets



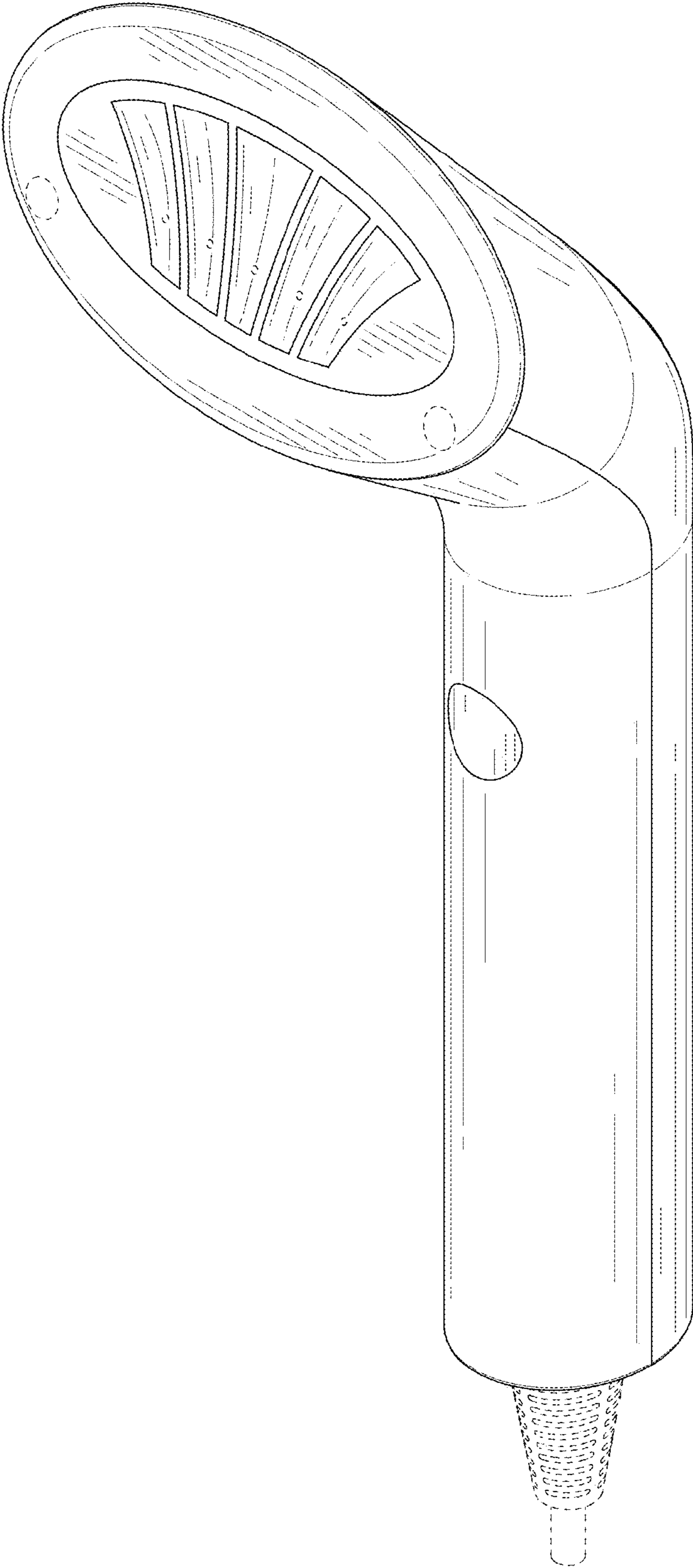


FIG. 1

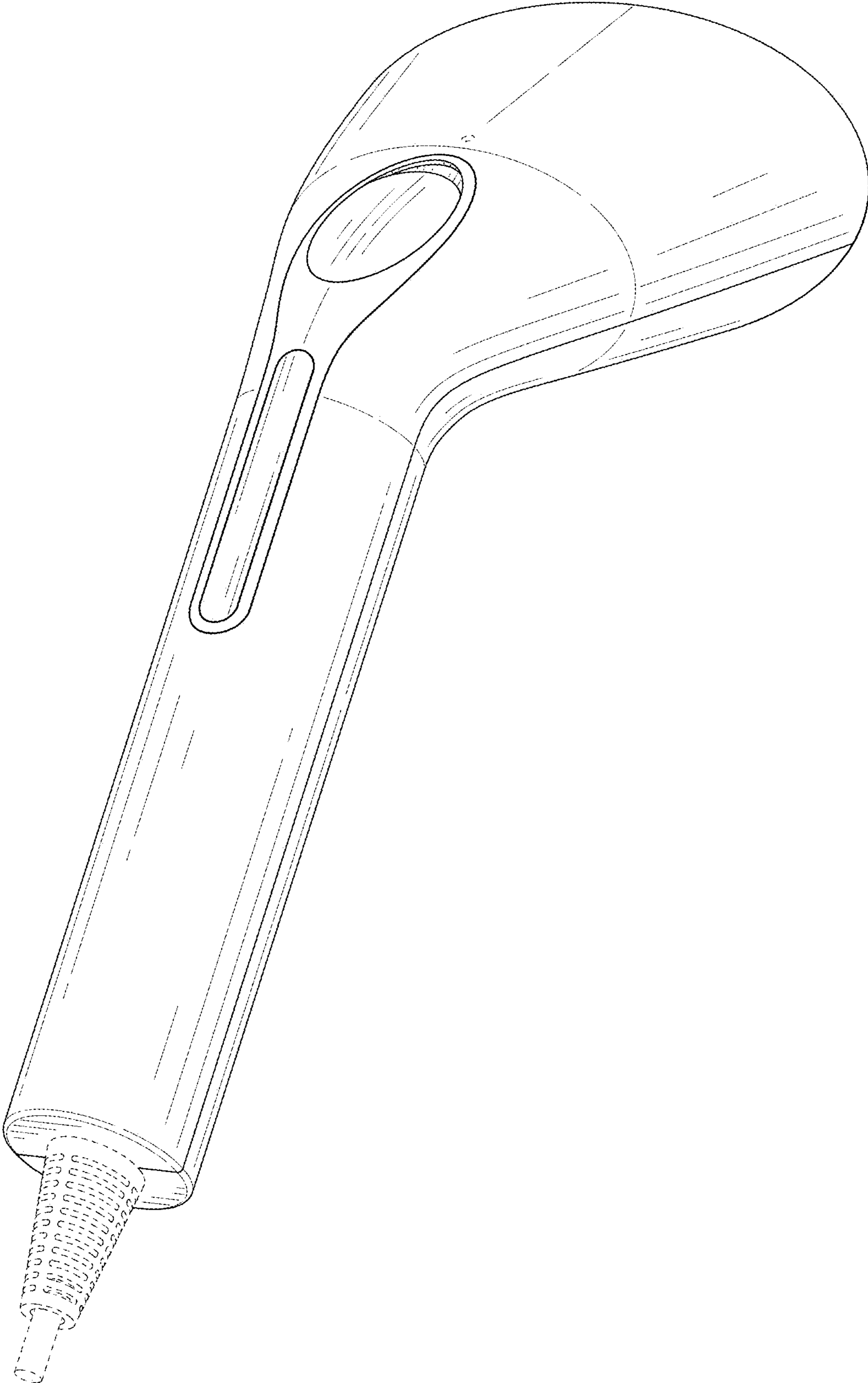


FIG. 2

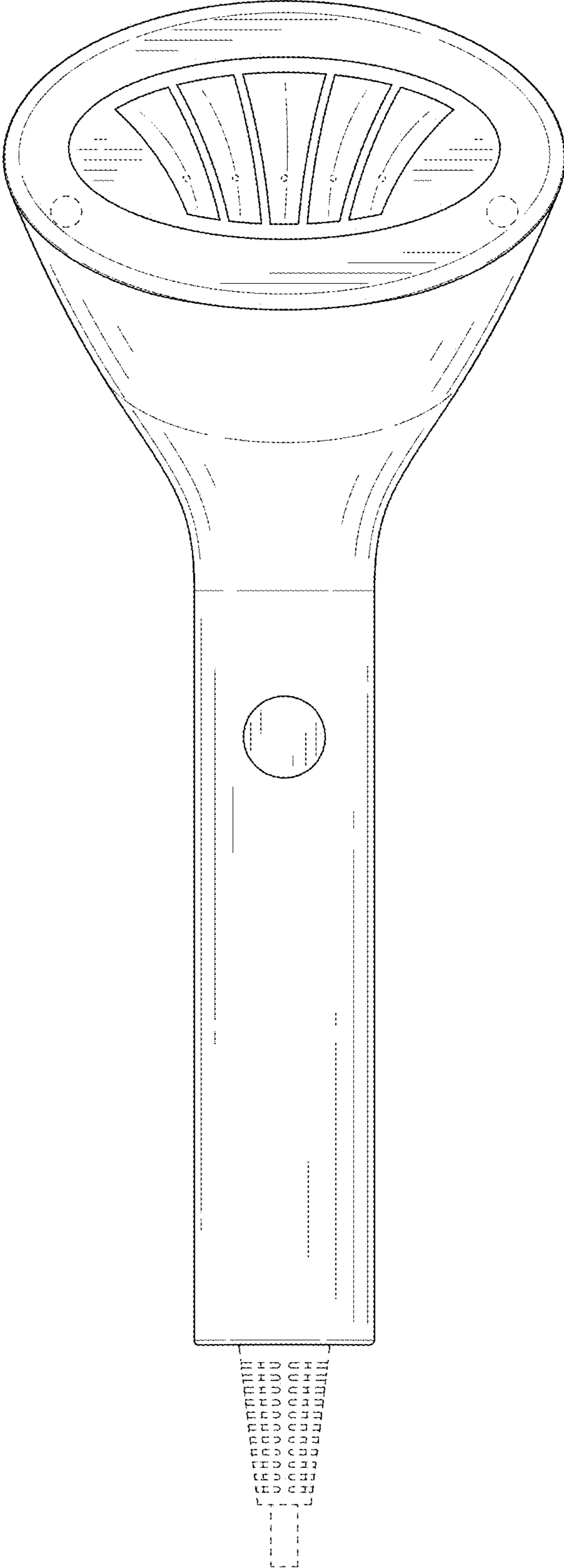


FIG. 3

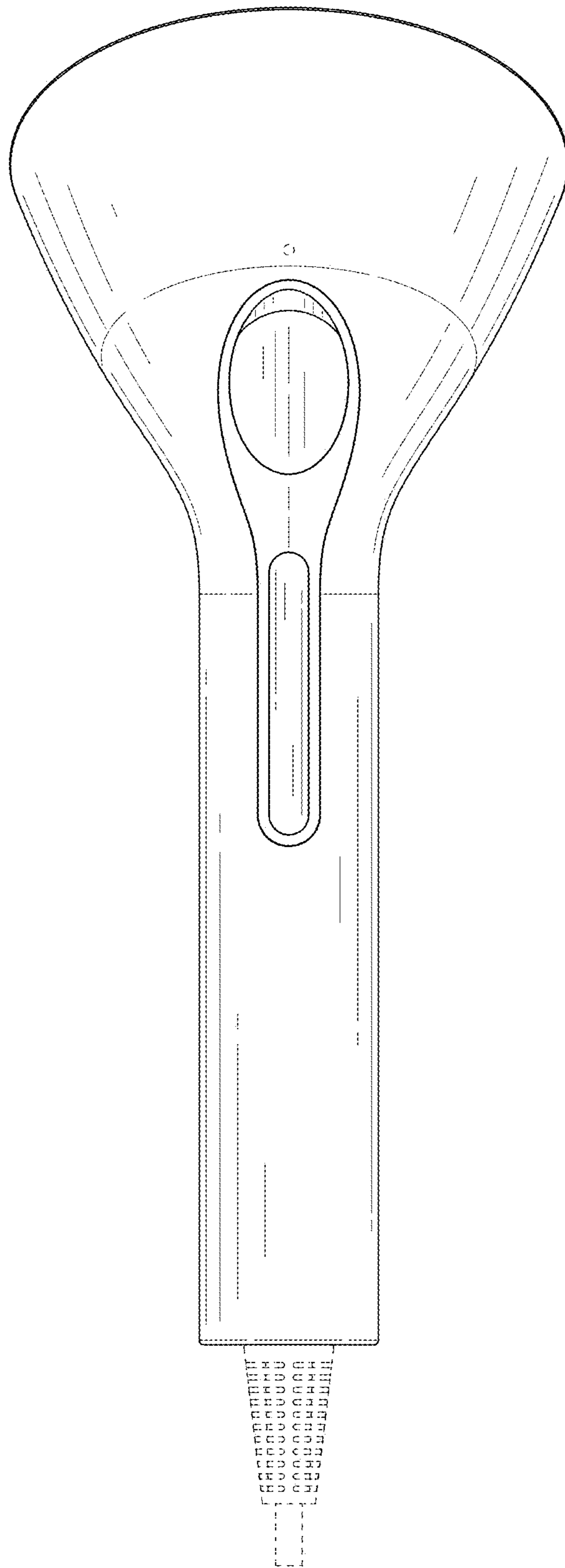


FIG. 4

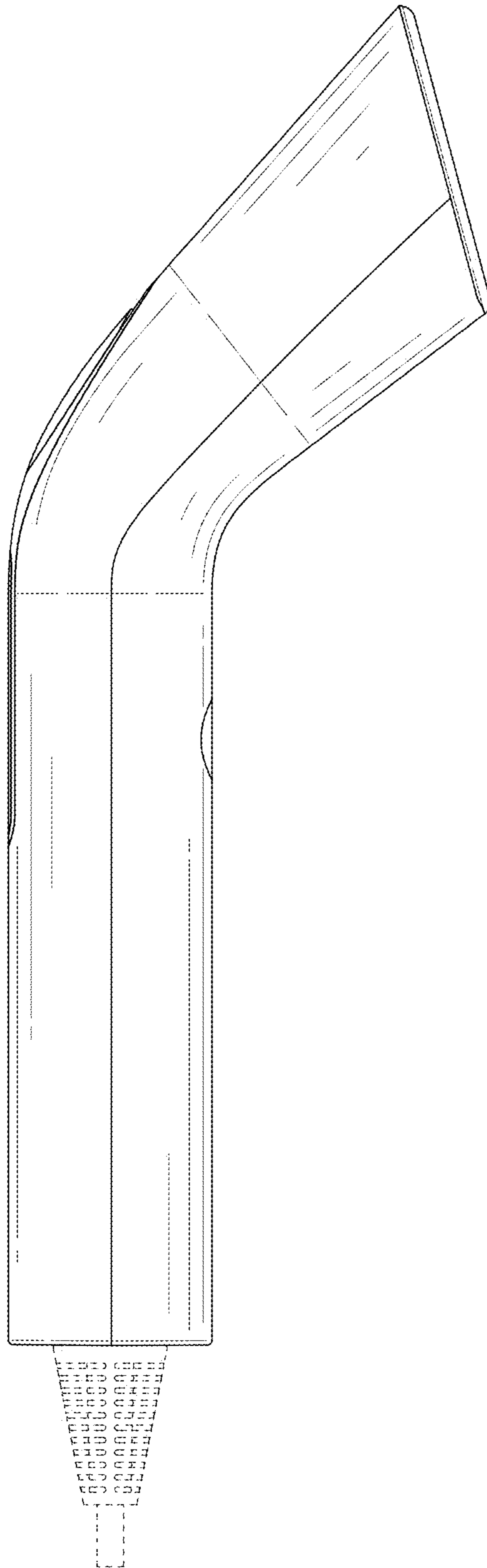


FIG. 5

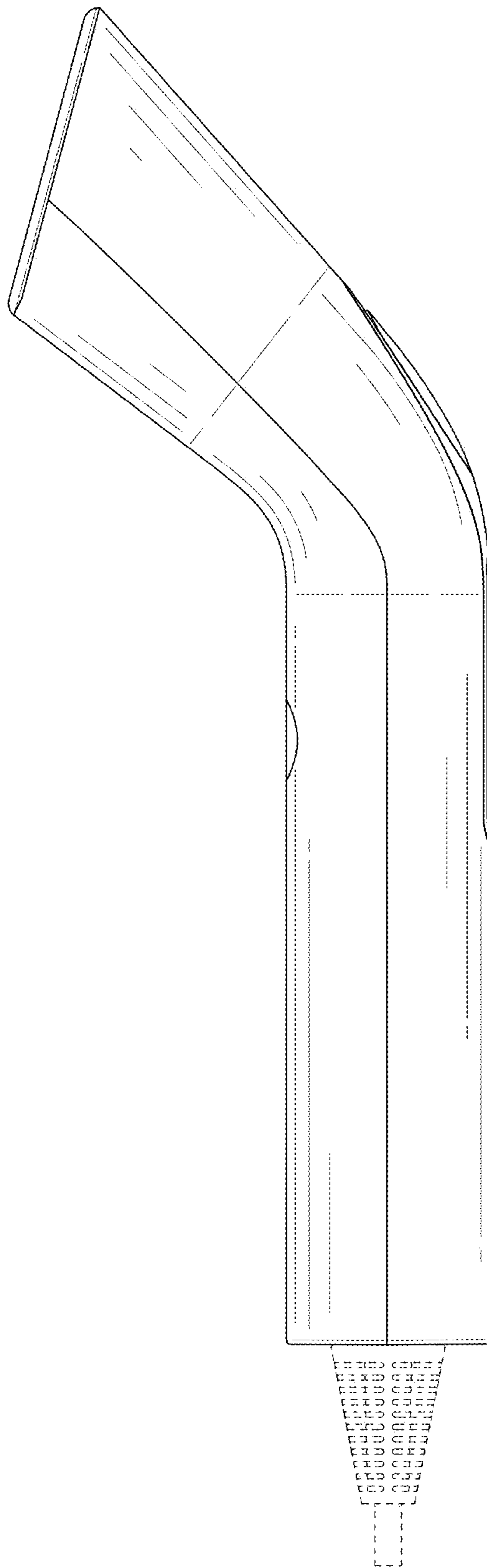


FIG. 6

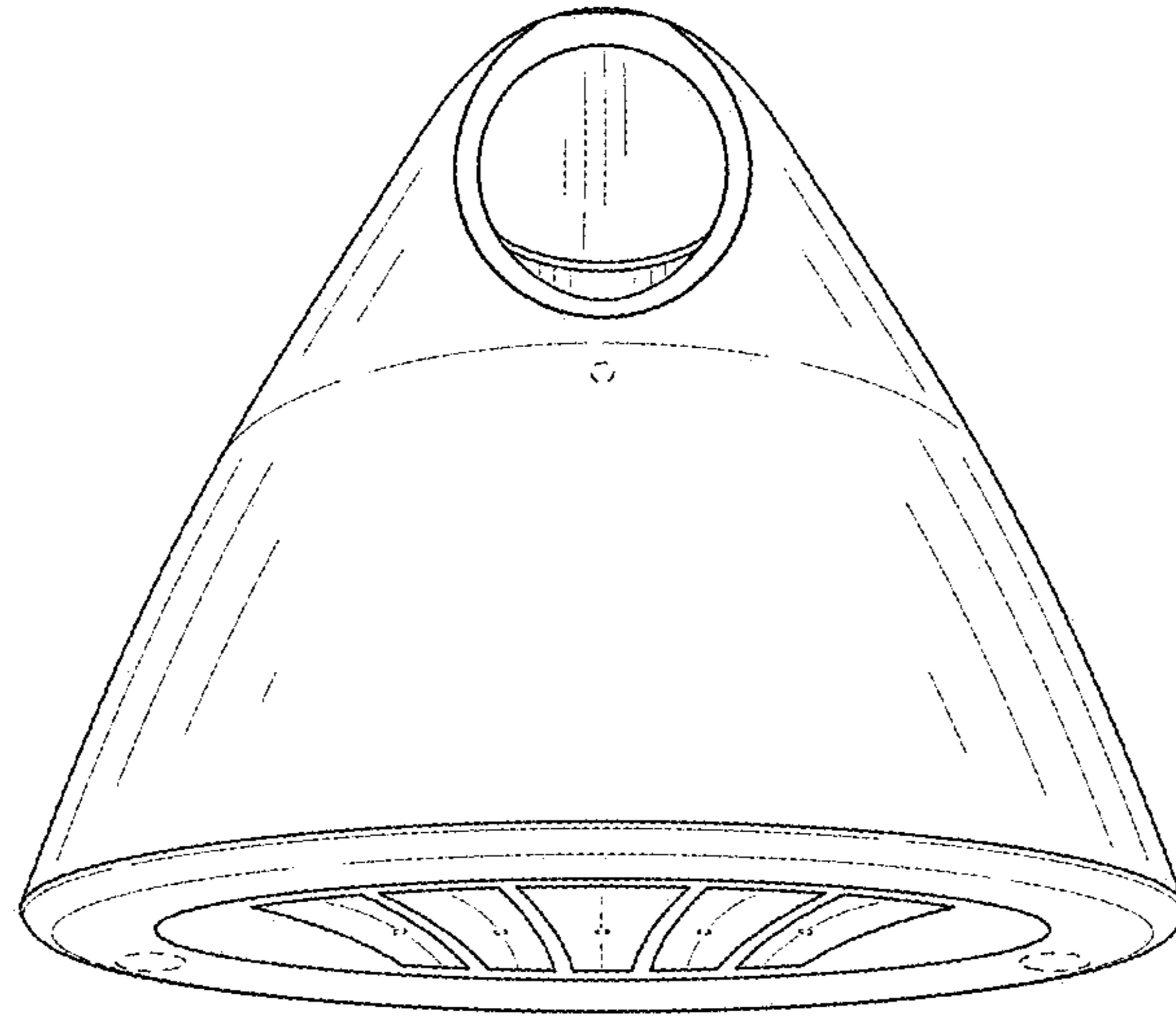


FIG. 7

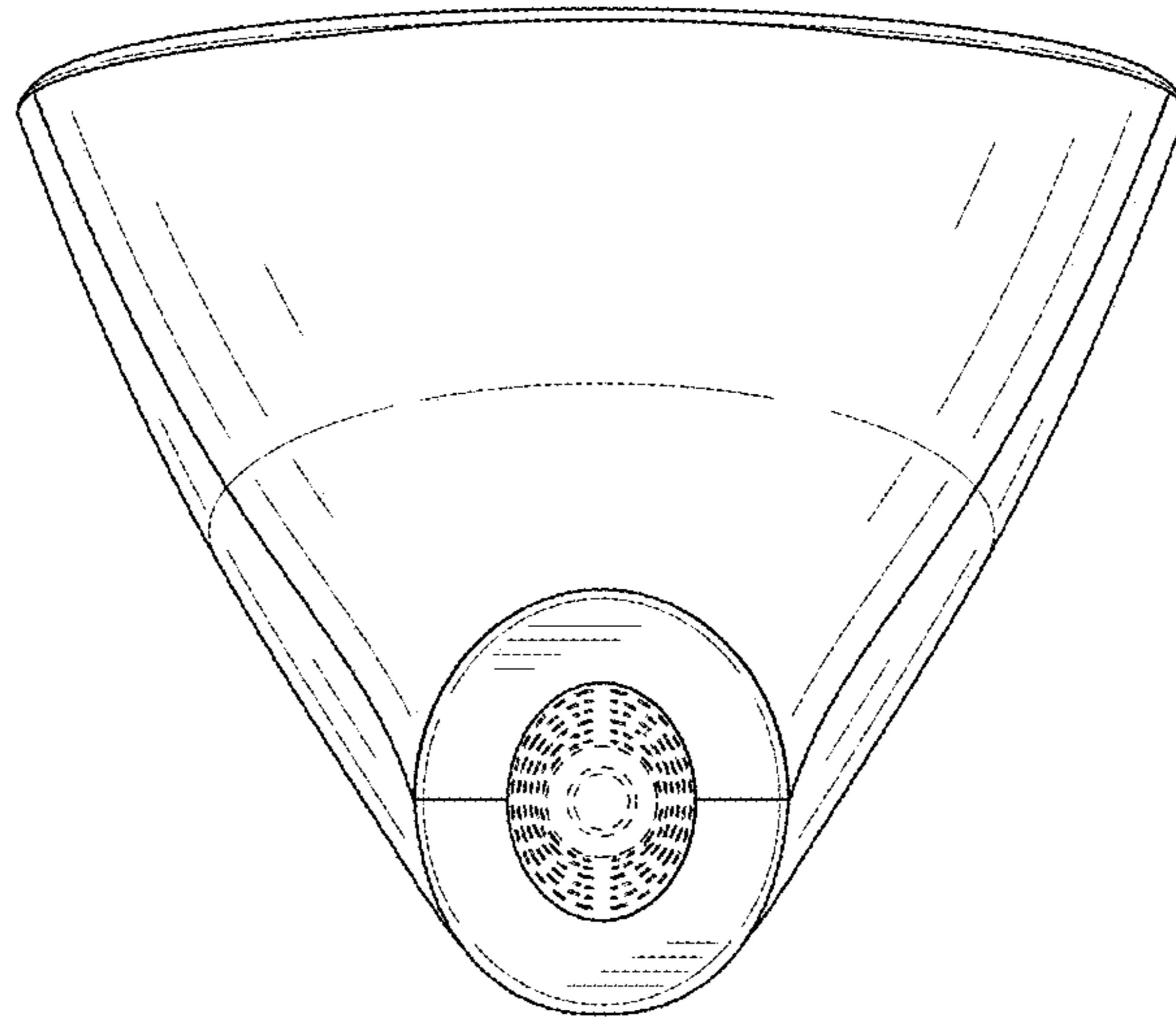


FIG. 8