



US00D946831S

(12) **United States Design Patent** (10) **Patent No.:** **US D946,831 S**
McGrath (45) **Date of Patent:** **** Mar. 22, 2022**

(54) **LIPSTICK CASE**
(71) Applicant: **Pat McGrath Cosmetics LLC**, New York, NY (US)
(72) Inventor: **Patricia McGrath**, New York, NY (US)

D682,695 S * 5/2013 Lampman D9/451
D785,871 S * 5/2017 Staab D28/89
D803,481 S * 11/2017 Reiner D28/79
D808,593 S * 1/2018 Reiner D28/87
D878,681 S * 3/2020 McGrath D28/90
D906,594 S * 12/2020 McGrath D28/89
2020/0015570 A1 * 1/2020 McGrath A61Q 1/06

(**) Term: **15 Years**

(21) Appl. No.: **29/730,671**

(22) Filed: **Apr. 7, 2020**

(51) **LOC (13) Cl.** **28-03**

(52) **U.S. Cl.**
USPC **D28/89**

(58) **Field of Classification Search**
USPC D28/4, 8.1, 9, 76, 85-90, 91.1, 99;
D9/451, 629, 503-504, 500, 529, 575,
D9/686, 723
CPC A45D 33/22; A45D 33/24; A45D 33/26;
A45D 33/28; A45D 40/00; A45D 40/20;
A45D 40/24; A45D 34/00; A45D 34/04;
A45D 34/06; A45D 34/041; A45D 40/02;
A45D 40/06; A45D 40/18; A45D 40/262

See application file for complete search history.

(56) **References Cited**

U.S. PATENT DOCUMENTS

D293,838 S * 1/1988 Fo-Chun D28/87
D343,474 S * 1/1994 Chen D28/87
D361,159 S * 8/1995 Feng D19/902
D365,751 S * 1/1996 Hsu D28/86
D368,555 S * 4/1996 Wacker D28/88
6,955,489 B2 * 10/2005 Look A45D 40/04
141/100
D555,477 S * 11/2007 Mayers D9/445

OTHER PUBLICATIONS

MatteTrance™ Lipstick Pavé—Celestial Divinity Collection—Pat McGrath labs _ Sephora, reviewed on Nov. 20, 2020, retrieved on Apr. 7, 2021, retrieved from the Internet URL: <https://www.sephora.com/product/pat-mcgrath-labs-mattetrance-lipstick-pave-celestial-divinity-collection-P463930>.*

* cited by examiner

Primary Examiner — Jennifer Rivard
Assistant Examiner — Alison M Ofstun
(74) *Attorney, Agent, or Firm* — RC Trademark Company

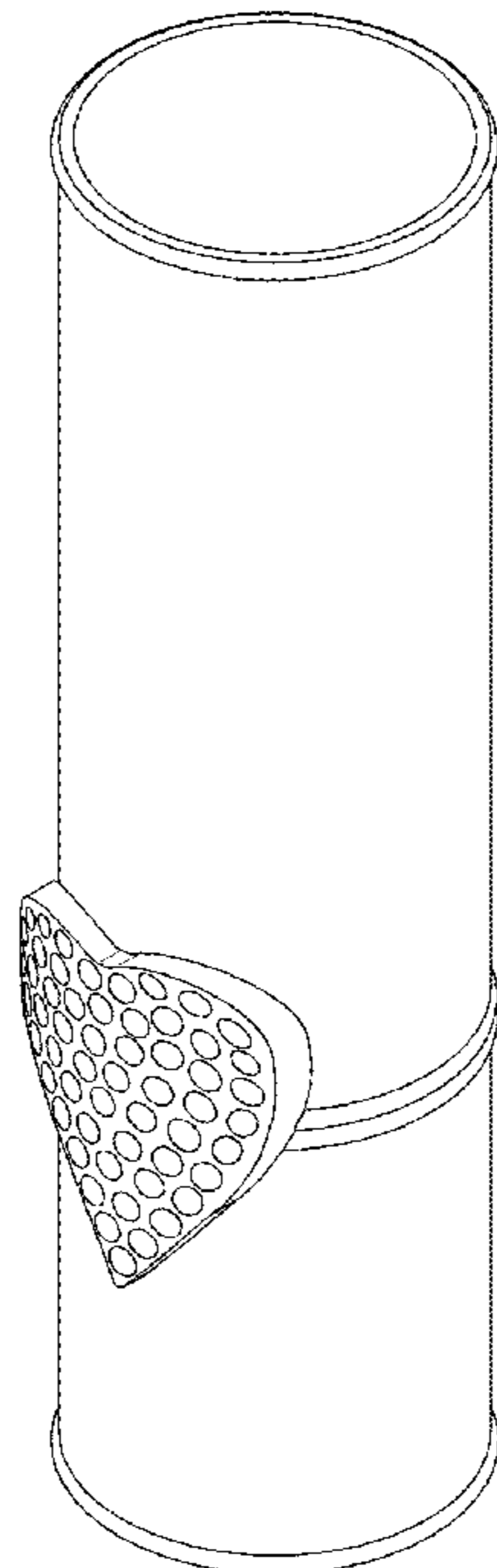
(57) **CLAIM**

The ornamental design for a lipstick case, as shown and described.

DESCRIPTION

FIG. 1 is a perspective view of a lipstick case;
FIG. 2 is a front view thereof;
FIG. 3 is a left side view thereof;
FIG. 4 is a rear view thereof;
FIG. 5 is a right side view thereof;
FIG. 6 is a top view thereof;
FIG. 7 is a bottom view thereof; and,
FIG. 8 is a perspective view thereof, shown with the cover removed to show aspects of the design not clearly visible when combined.

1 Claim, 8 Drawing Sheets



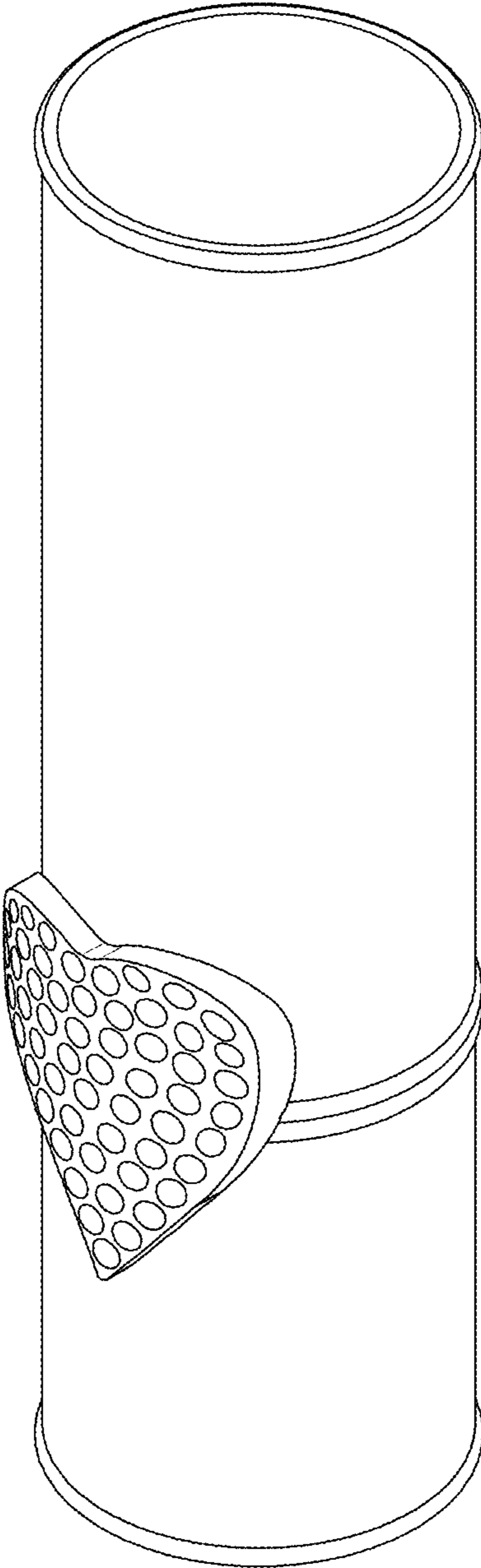


FIG. 1

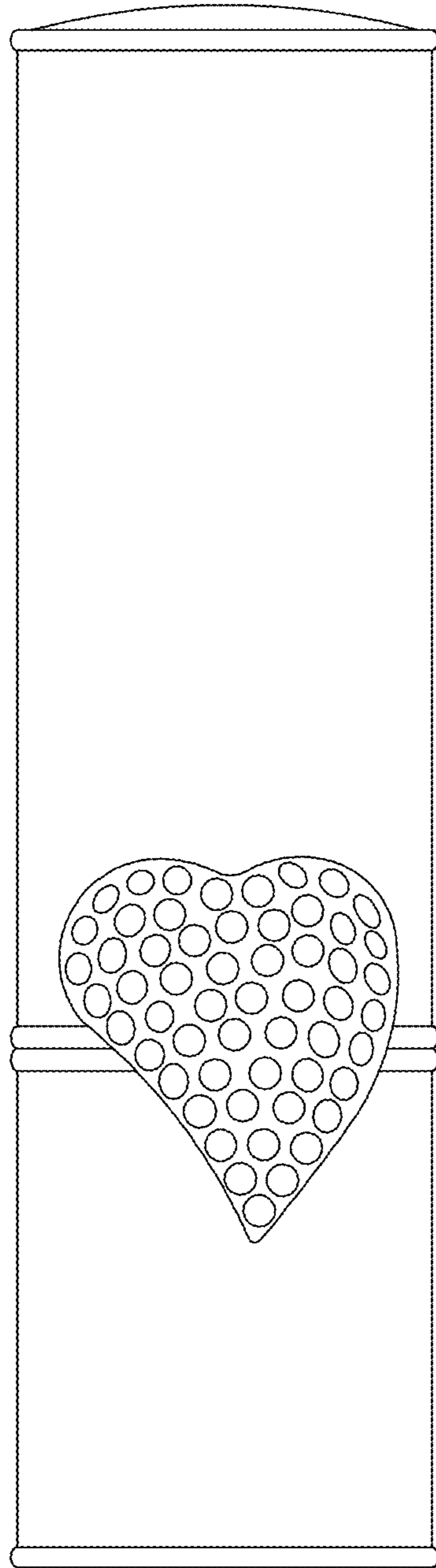


FIG. 2

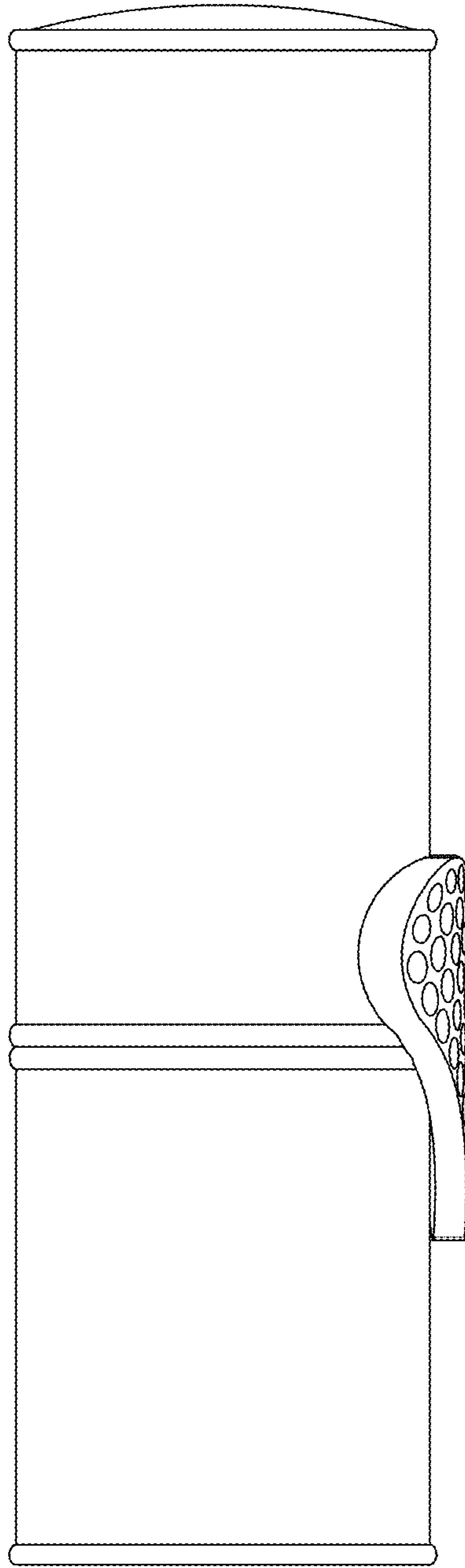


FIG. 3

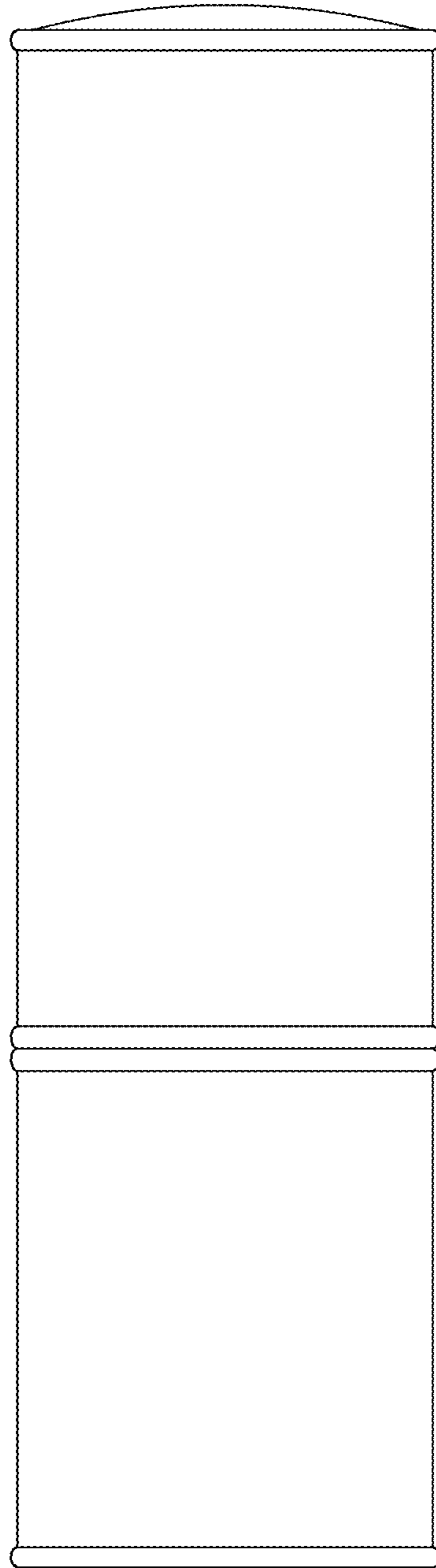


FIG. 4

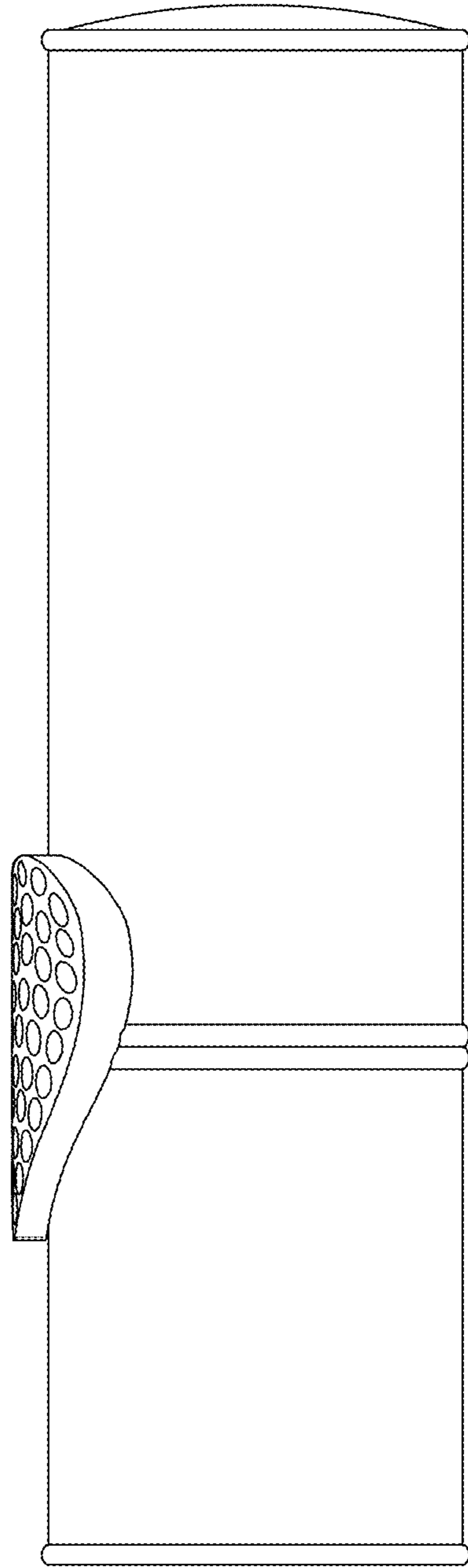


FIG. 5

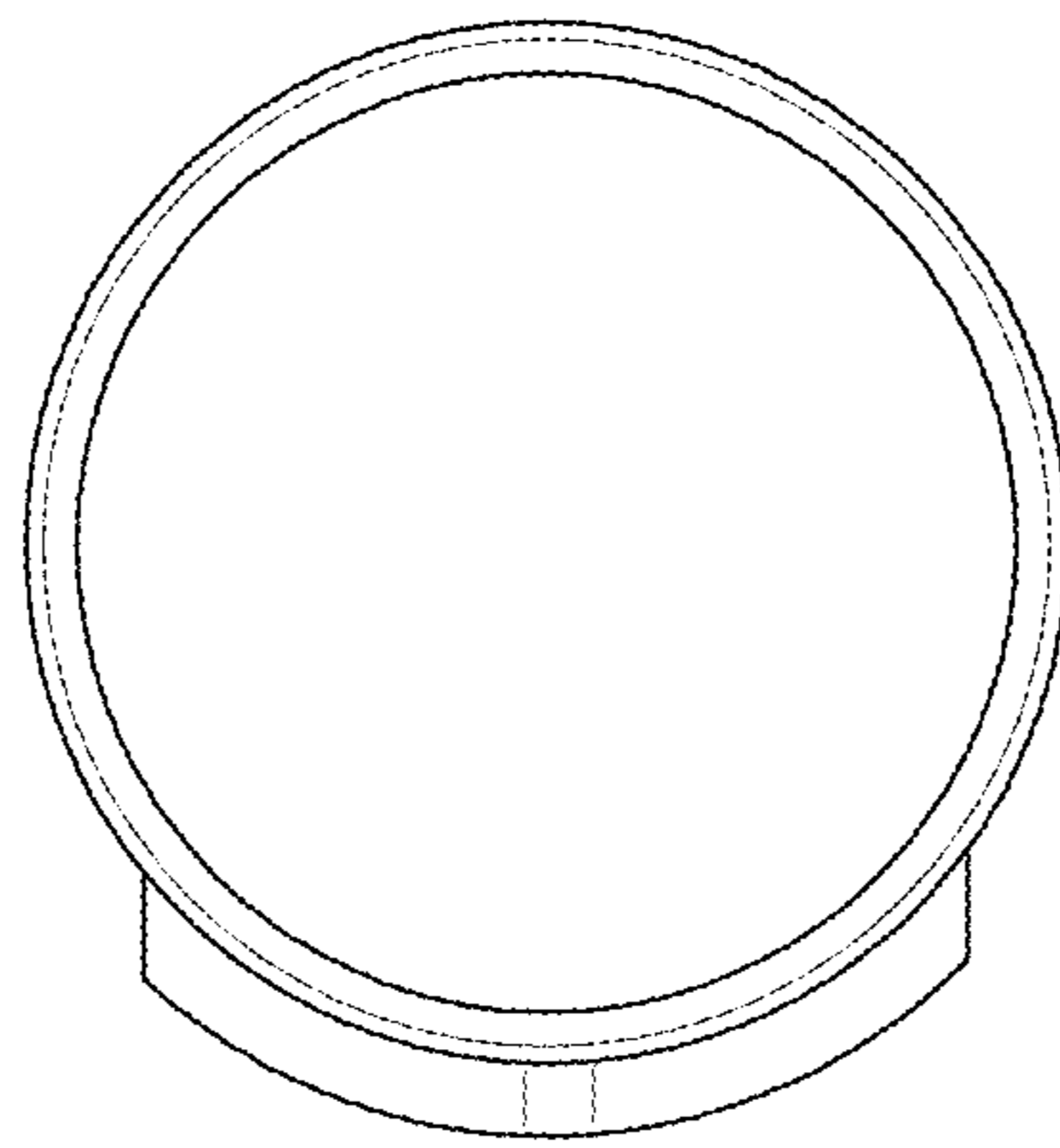


FIG. 6

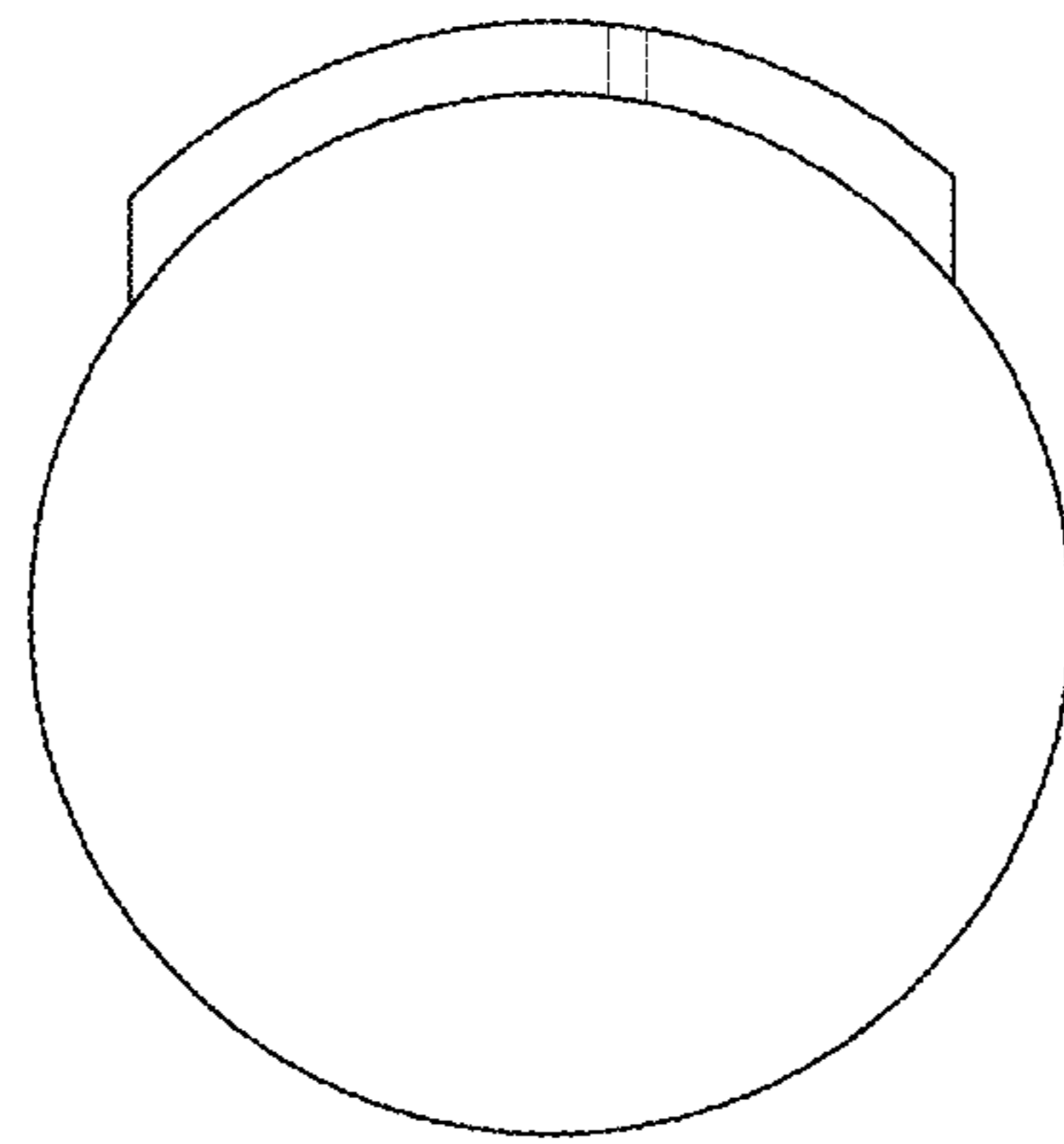


FIG. 7

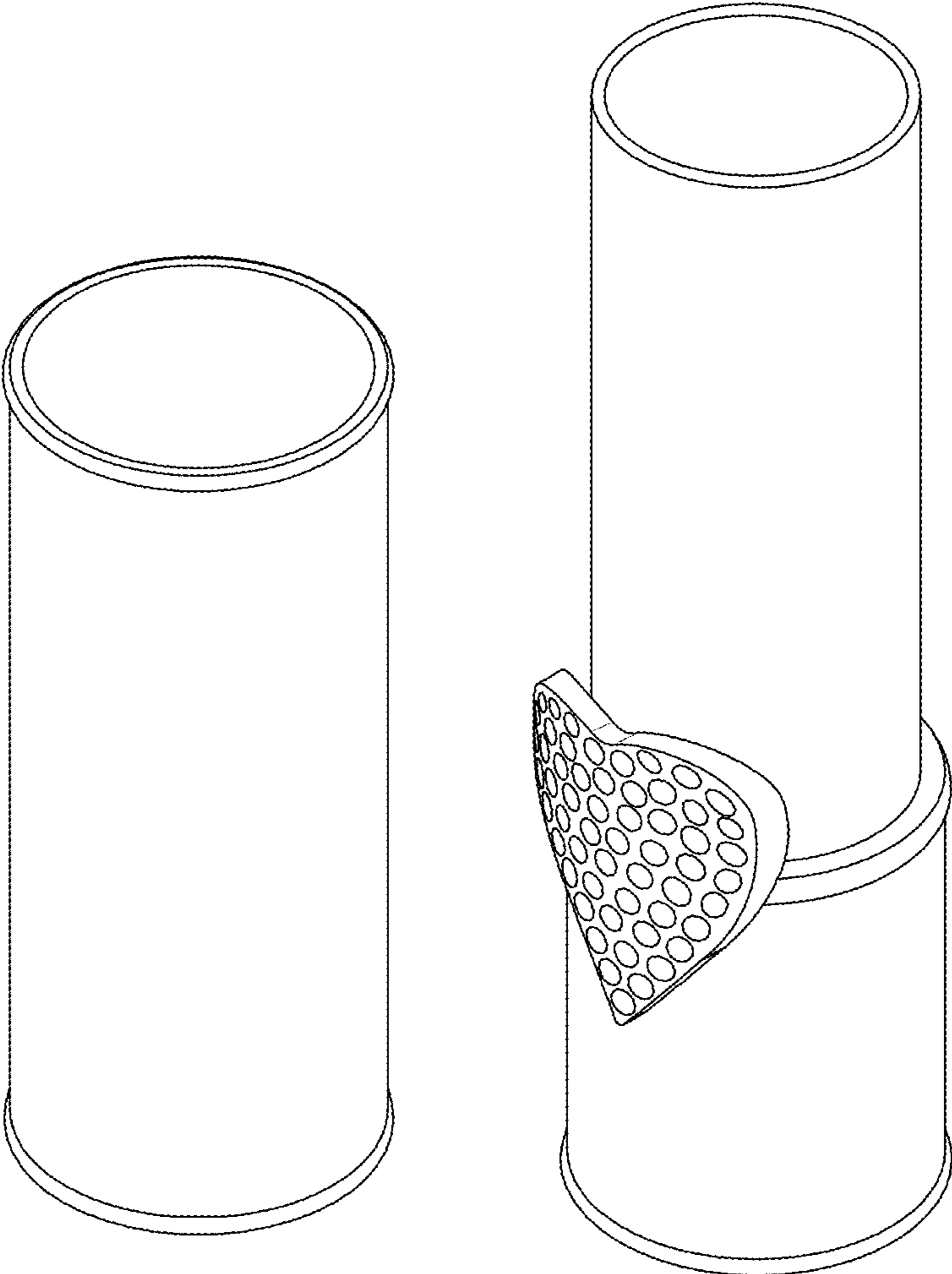


FIG. 8