



US00D946830S

(12) **United States Design Patent**
Schroder et al.

(10) **Patent No.:** **US D946,830 S**
(45) **Date of Patent:** **** Mar. 22, 2022**

(54) **SILICONE FACE AND BODY SCRUBBER**

(71) Applicant: **SJC IP Holdings Pty Ltd**, Virginia (AU)

(72) Inventors: **Gareth Schroder**, Virginia (AU); **Saul Cockburn**, Virginia (AU); **Joshua Cockburn**, Virginia (AU)

(73) Assignee: **SJC IP Holdings Pty Ltd**, Virginia (AU)

(**) Term: **15 Years**

(21) Appl. No.: **29/743,590**

(22) Filed: **Jul. 22, 2020**

(51) **LOC (13) Cl.** **28-03**

(52) **U.S. Cl.**
USPC **D28/63**

(58) **Field of Classification Search**
USPC D28/63; D4/130, 134, 136, 137, 138, D4/199, 119, 120, 211; D8/303, 316; D24/214, 215

CPC A47K 7/022; A47K 7/043; A47K 7/02; A46B 2200/1006

See application file for complete search history.

(56) **References Cited**

U.S. PATENT DOCUMENTS

2,944,273	A *	7/1960	Harris	A61H 7/003
					15/105
3,368,554	A *	2/1968	Shao	A61H 7/003
					601/137
D249,893	S *	10/1978	Armbruster	D24/211
D260,928	S *	9/1981	Gueret	D24/211
D351,474	S	10/1994	Huang		
D357,322	S *	4/1995	Matthews	D24/200
D518,915	S	4/2006	Angeletta		
D725,790	S *	3/2015	Givord	D24/214
D740,033	S	10/2015	Gruber et al.		

D756,121	S	5/2016	Gruber et al.		
D782,138	S	3/2017	Xavier et al.		
D789,611	S	6/2017	Filho et al.		
D816,342	S *	5/2018	Tai	D4/100
D817,571	S *	5/2018	Campbell	D32/35
D821,594	S	6/2018	Davidson		
D849,263	S *	5/2019	Soutelo Gomes	D24/215
D872,940	S *	1/2020	Tammabattula	D28/63
D876,935	S *	3/2020	Krull	D8/367
D882,176	S	4/2020	Huang		
D882,810	S *	4/2020	Sedic	D24/215
D897,688	S *	10/2020	Li	D4/128

(Continued)

OTHER PUBLICATIONS

The Body Scrubber by Tooletries [on-line]. [Original publication date unknown.] [Retrieved from the Internet Sep. 16, 2021.] URL: >https://tooletries.com/collections/face-body-scrubber/products/the-body-scrubber< (Year: 2021).*

(Continued)

Primary Examiner — Karen E Eldridge Powers
(74) *Attorney, Agent, or Firm* — Shackelford, Bowen, McKinley & Norton, LLP

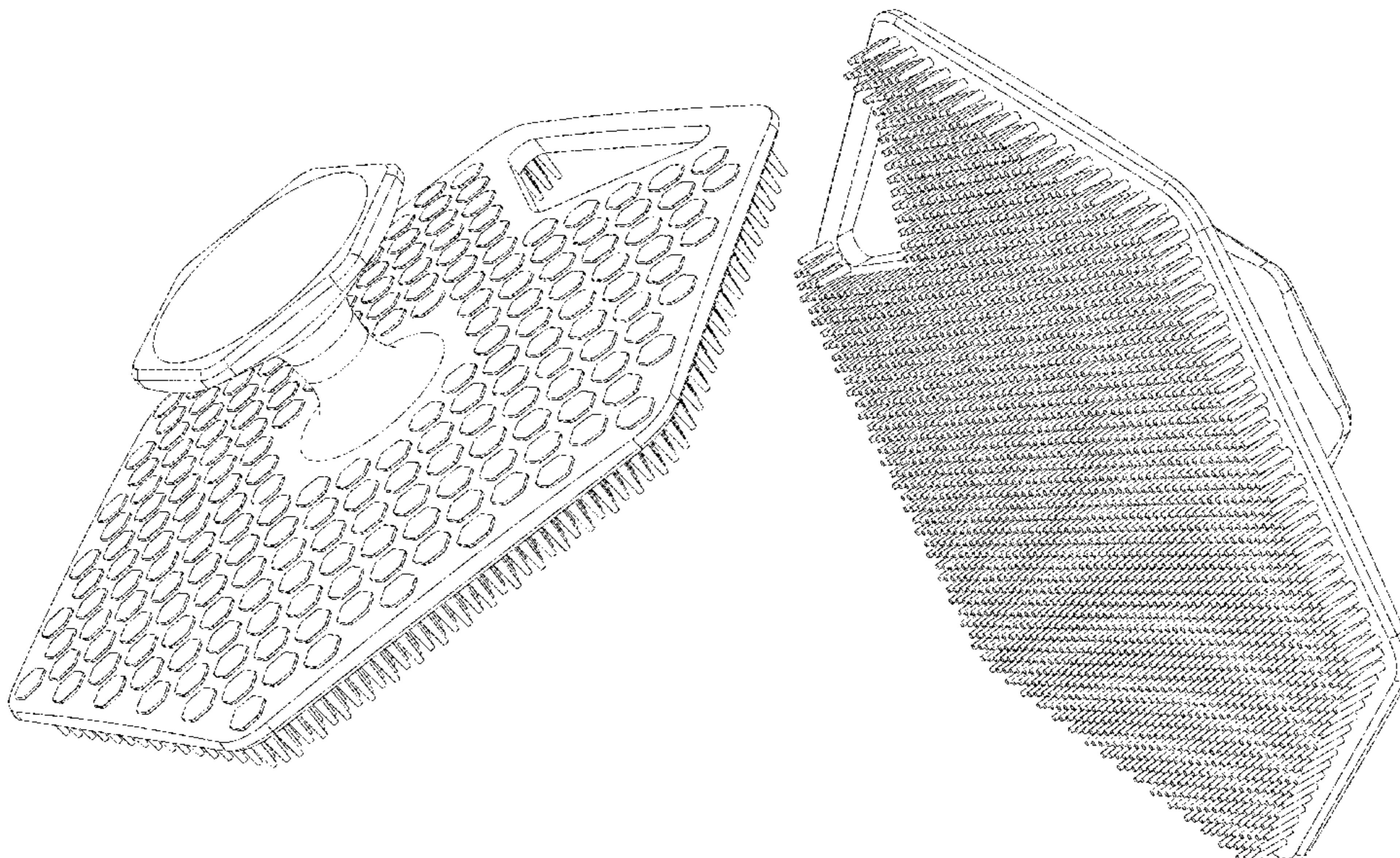
(57) **CLAIM**

The ornamental design for a silicone face and body scrubber, as shown and described.

DESCRIPTION

FIG. 1 is a top perspective view of a silicone face and body scrubber in accordance with the design; FIG. 2 is a bottom perspective view thereof; FIG. 3 is a top plan view thereof; FIG. 4 is a front elevation view thereof; and, FIG. 5 is a bottom plan view thereof. Long-dash/short-dash/short-dash broken lines shown in FIG. 1 illustrate features of the article in which the design is embodied that form no part of the claim.

1 Claim, 5 Drawing Sheets



(56)

References Cited

U.S. PATENT DOCUMENTS

10,791,819	B2 *	10/2020	Caccamise	A46B 15/0097
D902,491	S *	11/2020	de la Cruz	D28/63
D906,691	S	1/2021	Shi	
2005/0142093	A1 *	6/2005	Skover	A61K 8/41 424/70.14
2016/0135582	A1	5/2016	Yen	
2019/0312452	A1	10/2019	Chen	

OTHER PUBLICATIONS

The Body Scrubber | Gentle by Tooletries [on-line]. [Original publication date unknown.] [Retrieved from the Internet Sep. 16, 2021.] URL: ><https://tooletries.com/collections/face-body-scrubber/products/the-face-scrubber-gentle-exfoliate>< (Year: 2021).*

Tooletries—Burgundy Body Scrubber on Vimeo [on-line]. [Publication approximately 10 months prior to Sep. 16, 2021.] [Retrieved

from the Internet Sep. 16, 2021.] URL: ><https://vimeo.com/472885129>< (Year: 2020).*

Tooletries—Burgundy Body Scrubber on Vimeo [on-line]. [Publication date Oct. 28, 2020.] [Retrieved from the Internet Sep. 16, 2021.] URL: ><https://www.bing.com/videos/search?q=tooletries+body+scrubber+review&docid=608027585253293925&mid=7B8A42B2D98EB47062267B8A42B2D98EB4706226&view=detail&FORM=VIRE>< (Year: 2020).*

The Face Scrubber | Firm by Tooletries [on-line]. [Original publication date unknown.] [Retrieved from the Internet Sep. 16, 2021.] URL: ><https://tooletries.com/collections/face-body-scrubber/products/the-face-scrubber-deep-cleanse>< (Year: 2021).*

Screen capture from video, “Tooletries Body Scrubber Review,” [on-line]. [Published Jan. 28, 2021.] [Retrieved from the Internet Sep. 16, 2021.] URL: ><https://www.youtube.com/watch?v=droFIWefATs>< (Year: 2021).*

Schroder, Gareth; Silicone Face and Body Scrubber; Design U.S. Appl. No. 29/745,947, filed Aug. 11, 2020; 23 pages.

* cited by examiner

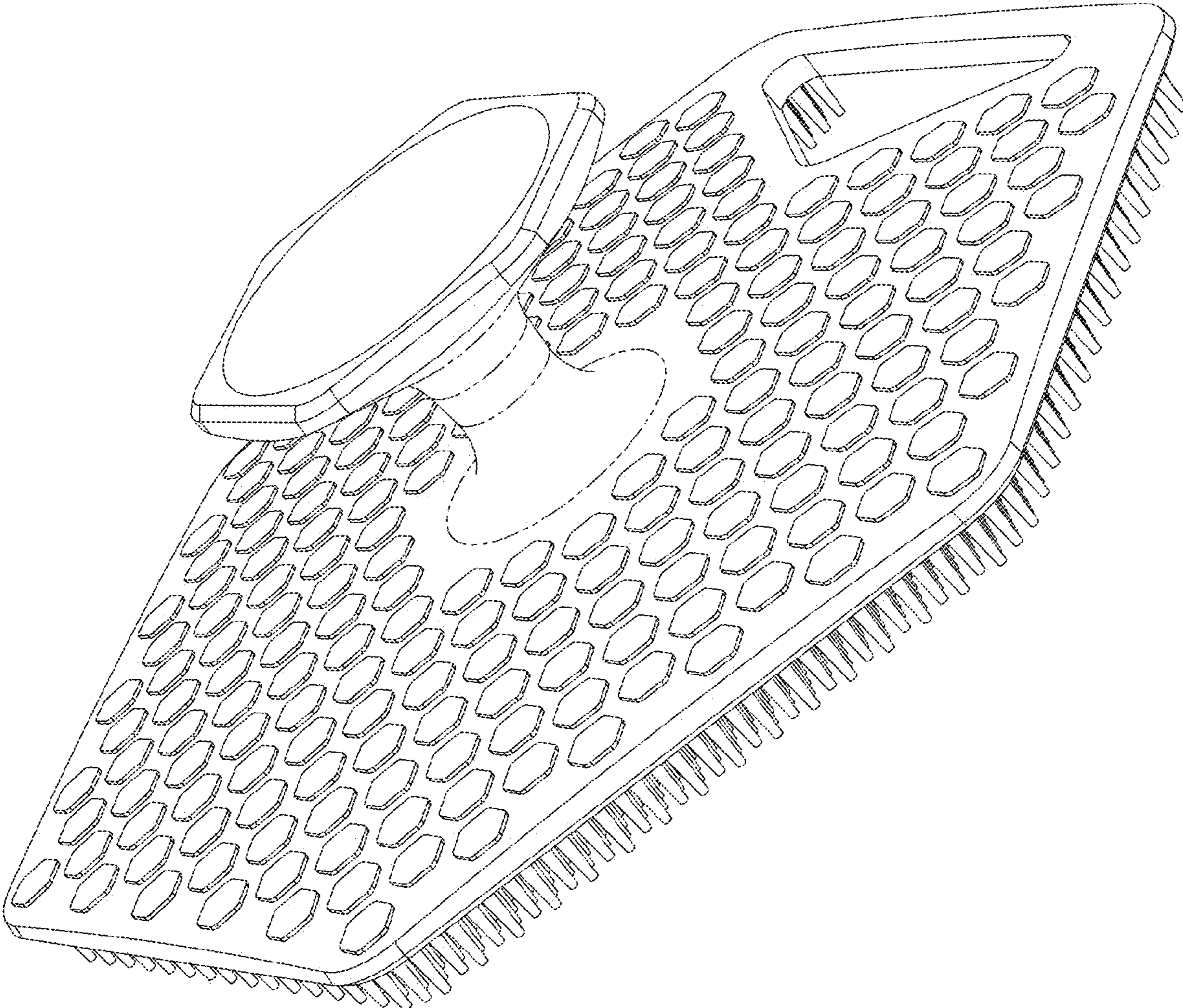


FIG. 1

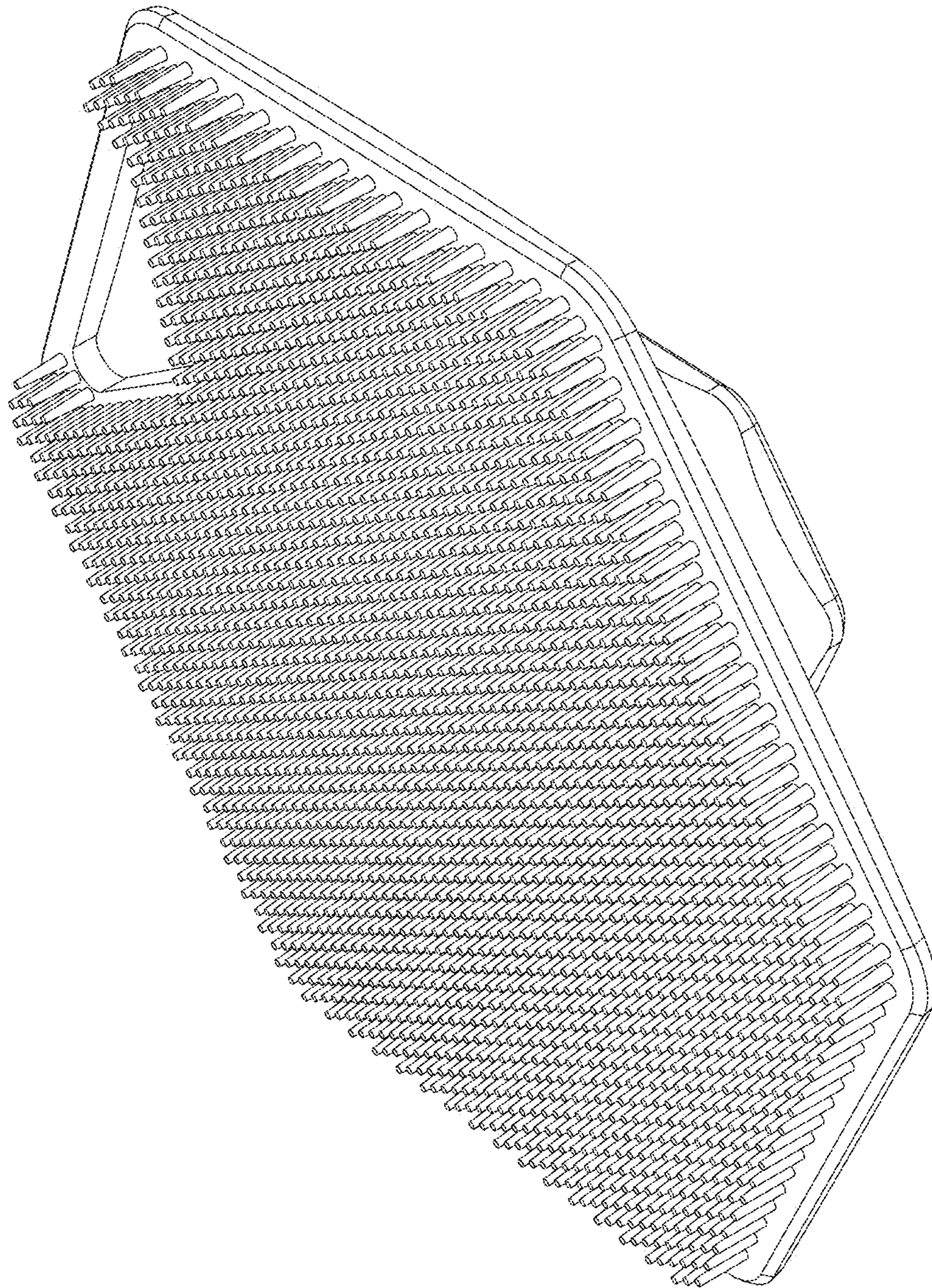


FIG. 2

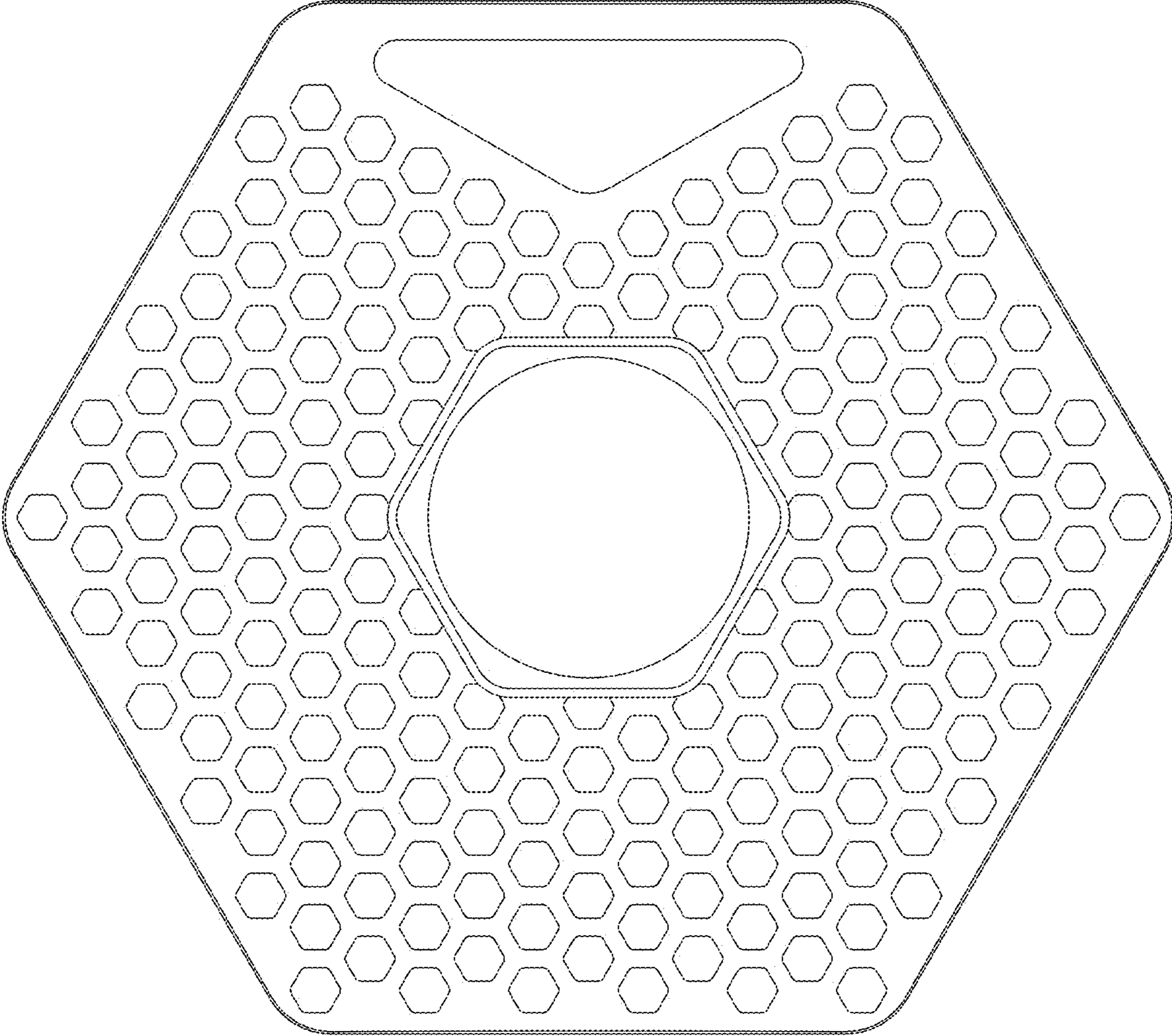


FIG. 3

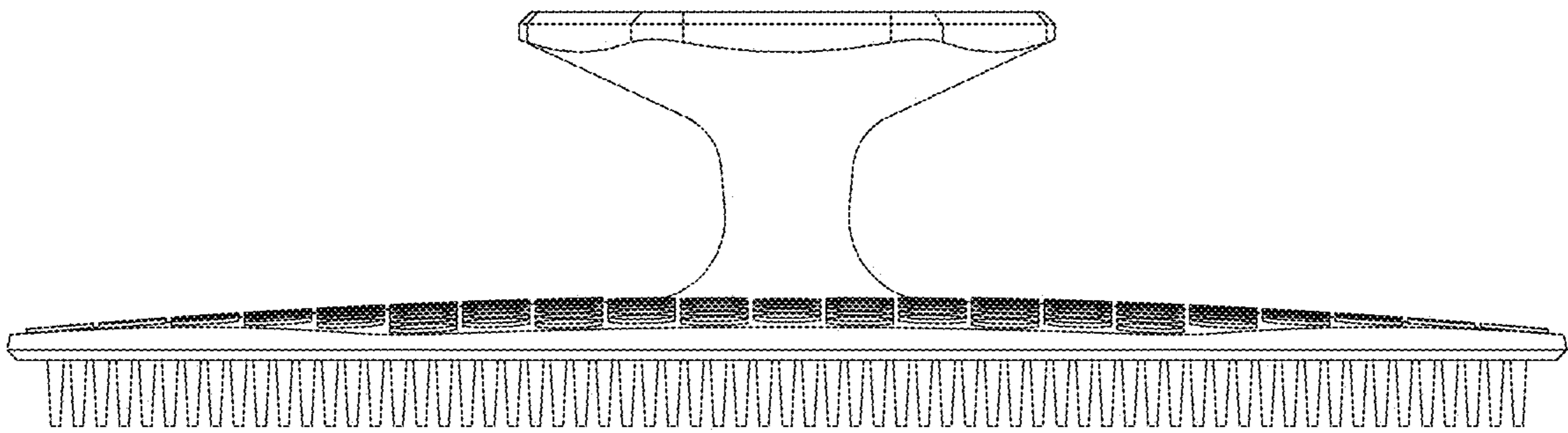


FIG. 4

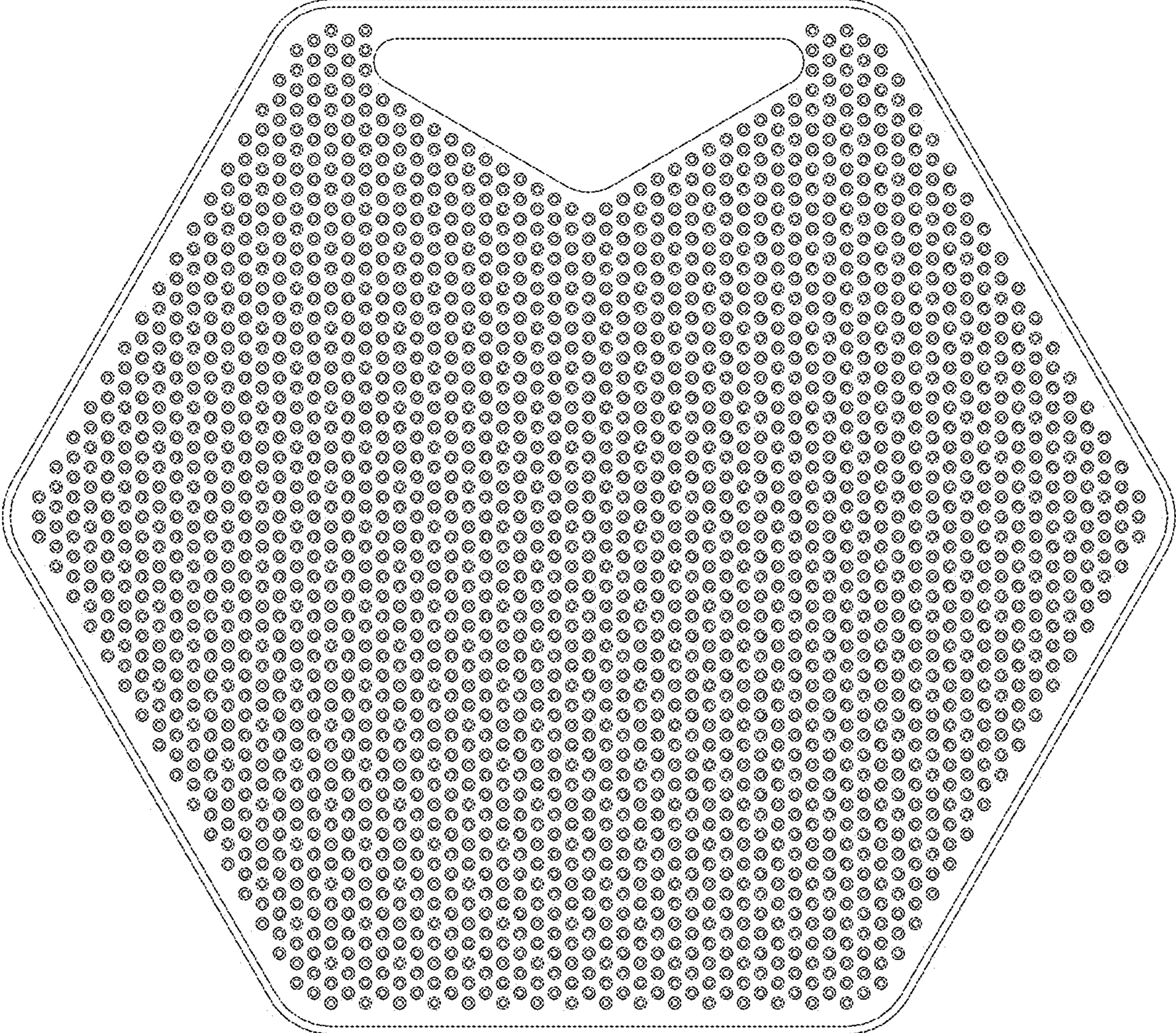


FIG. 5