



US00D946827S

(12) **United States Design Patent**
Hunt et al.

(10) **Patent No.:** **US D946,827 S**
(45) **Date of Patent:** **** Mar. 22, 2022**

(54) **HAIR CLIPPER HOUSING**

(71) Applicant: **WAHL CLIPPER CORPORATION**,
Sterling, IL (US)

(72) Inventors: **Brennan Hunt**, Schererville, IN (US);
Chad Aulwes, Sterling, IL (US);
George Gassman, Dunlap, IL (US)

(73) Assignee: **WAHL CLIPPER CORPORATION**,
Sterling, IL (US)

(**) Term: **15 Years**

(21) Appl. No.: **29/723,264**

(22) Filed: **Feb. 5, 2020**

(51) **LOC (13) Cl.** **28-03**

(52) **U.S. Cl.**
USPC **D28/53**

(58) **Field of Classification Search**
USPC D28/49-54
CPC B26B 19/00-107; B26B 19/12; B26B
19/20-22; B26B 19/3806-3833; B26B
19/3853-3886

See application file for complete search history.

(56) **References Cited**

U.S. PATENT DOCUMENTS

D513,344 S	12/2005	Choi	
D619,303 S *	7/2010	Aulwes	D28/53
D679,448 S	4/2013	Erickson	
D700,999 S *	3/2014	Aulwes	D28/54
D715,489 S *	10/2014	Aulwes	D28/54
D722,202 S *	2/2015	Erickson	D28/54
D726,371 S *	4/2015	Erickson	D28/54
D750,325 S	2/2016	Nho	
D790,133 S *	6/2017	Aulwes	D28/54
D800,386 S *	10/2017	Fleming	D28/53
D800,389 S	10/2017	Fleming	
D800,965 S *	10/2017	Aulwes	D28/53

(Continued)

Primary Examiner — Jennifer Rivard

(74) *Attorney, Agent, or Firm* — Greer, Burns & Crain,
Ltd

(57) **CLAIM**

The ornamental design for a hair clipper housing, as shown and described.

DESCRIPTION

FIG. 1 is a top perspective view of the present hair clipper housing;

FIG. 2 is a bottom perspective view of the present hair clipper housing;

FIG. 3 is a right side view of same;

FIG. 4 is a top view of the hair clipper housing of FIG. 1;

FIG. 5 is a left side view of same;

FIG. 6 is a bottom view of the hair clipper housing of FIG. 1;

FIG. 7 is a rear view of the hair clipper housing of FIG. 1; and

FIG. 8 is a front view of same;

FIG. 9 is a top perspective view of an alternate embodiment of the present hair clipper housing;

FIG. 10 is a bottom perspective view of the hair clipper housing of FIG. 9;

FIG. 11 is a right side view of same;

FIG. 12 is a top view of the hair clipper housing of FIG. 9;

FIG. 13 is a left side view of same;

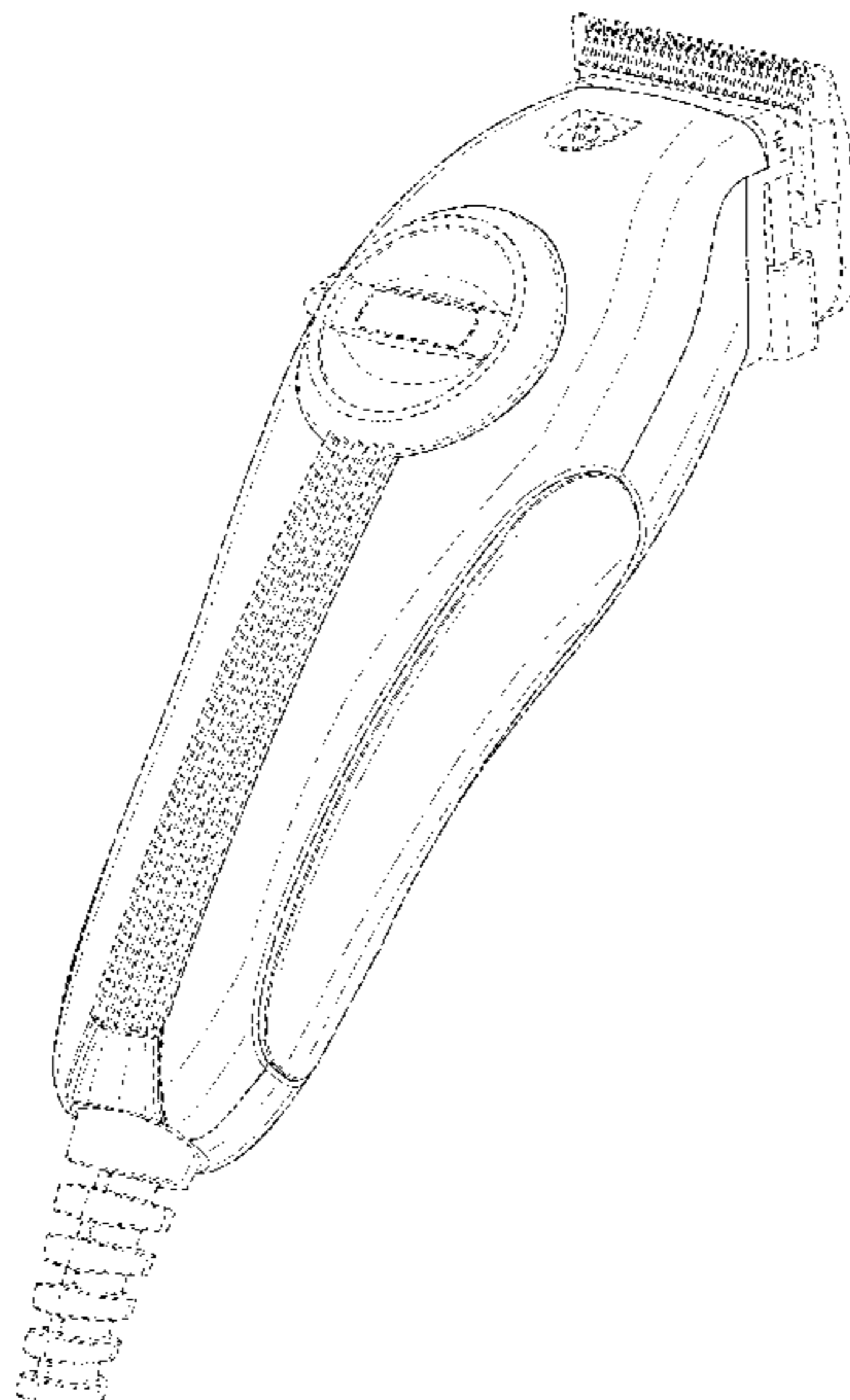
FIG. 14 is a bottom view of the hair clipper housing of FIG. 9;

FIG. 15 is a rear view of the hair clipper housing of FIG. 9; and,

FIG. 16 is a front view of same.

The broken lines illustrating the blade and electrical connection illustrate the environment of the hair clipper housing. The remaining broken lines illustrate portions of the hair clipper housing. Neither of the broken line disclosures form part of the claimed design.

1 Claim, 14 Drawing Sheets



(56)

References Cited

U.S. PATENT DOCUMENTS

D808,592 S * 1/2018 Fleming D28/53
D811,660 S 2/2018 Zachrich
D814,703 S * 4/2018 Aulwes D28/53
D847,431 S * 4/2019 Aulwes D28/53
D872,938 S 1/2020 Fleming
2021/0291390 A1 * 9/2021 Davignon B26B 19/28

* cited by examiner

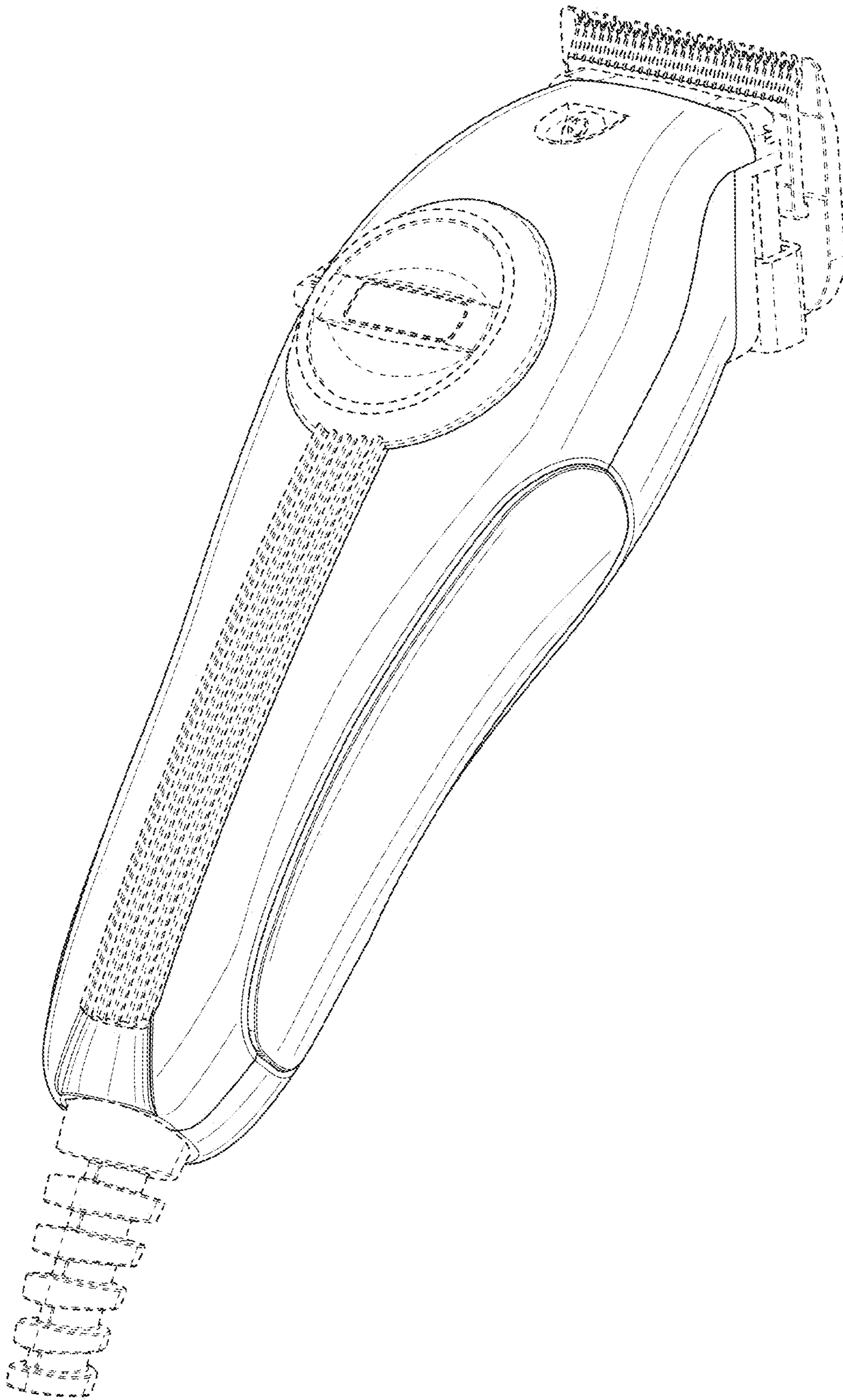


FIG. 1

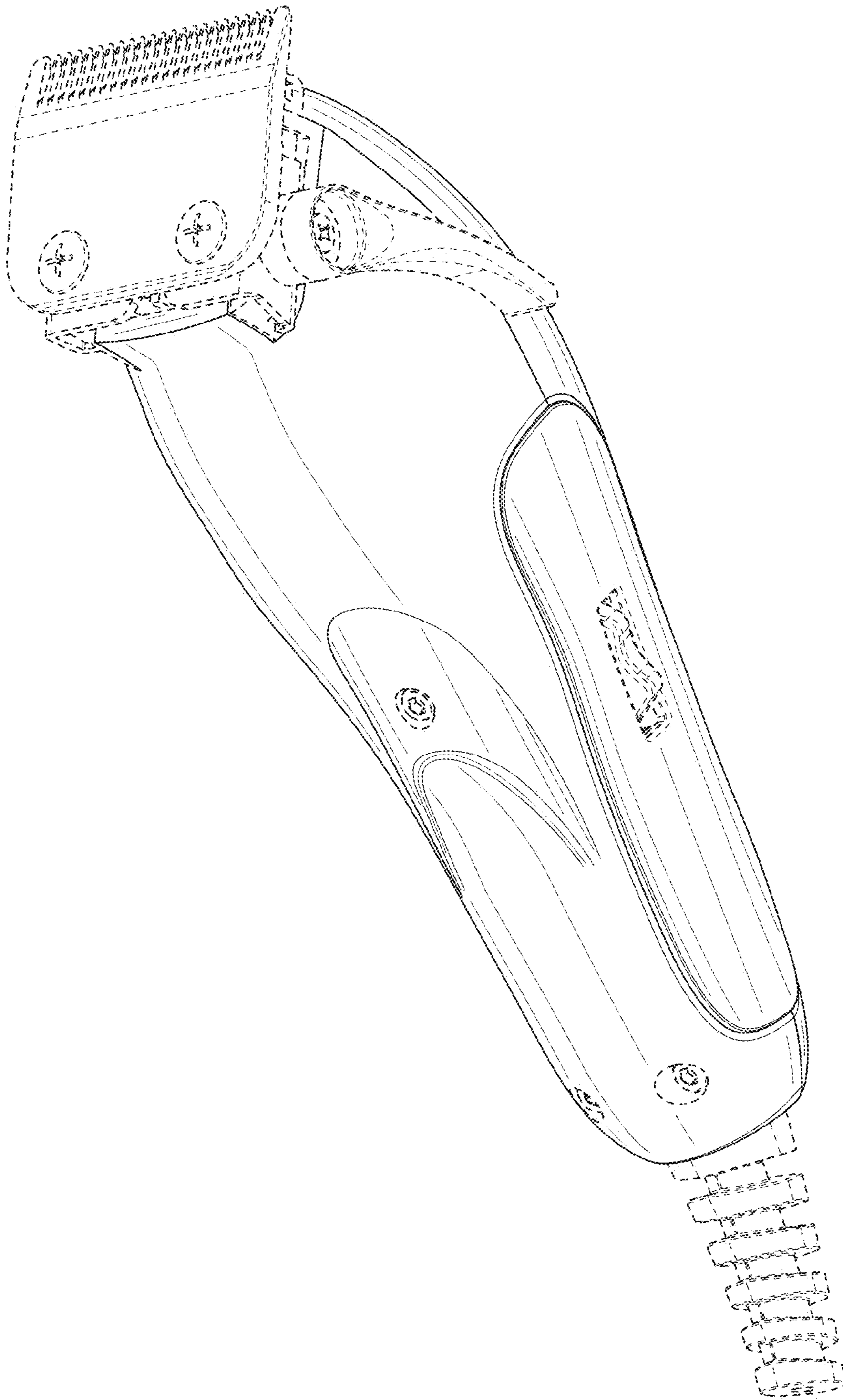


FIG. 2

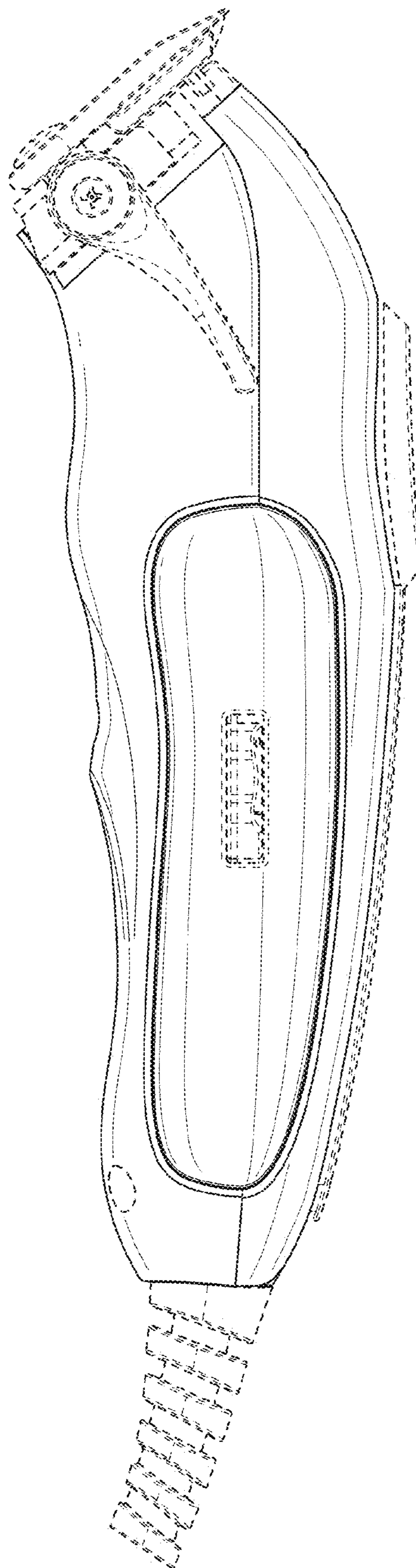


FIG. 3

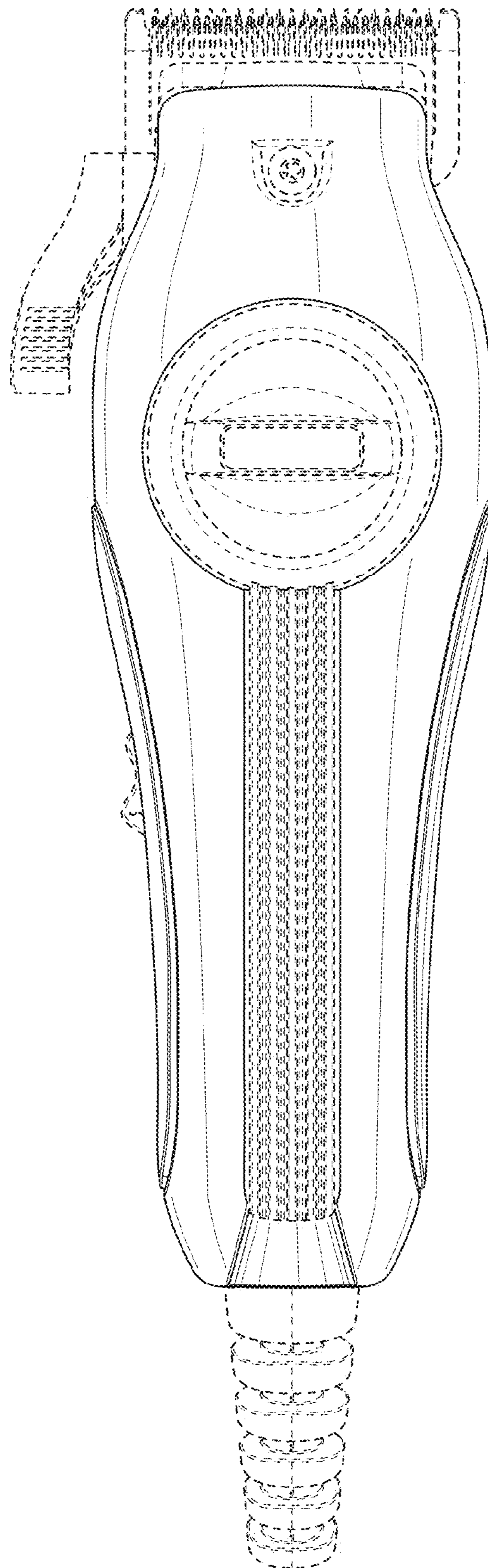


FIG. 4

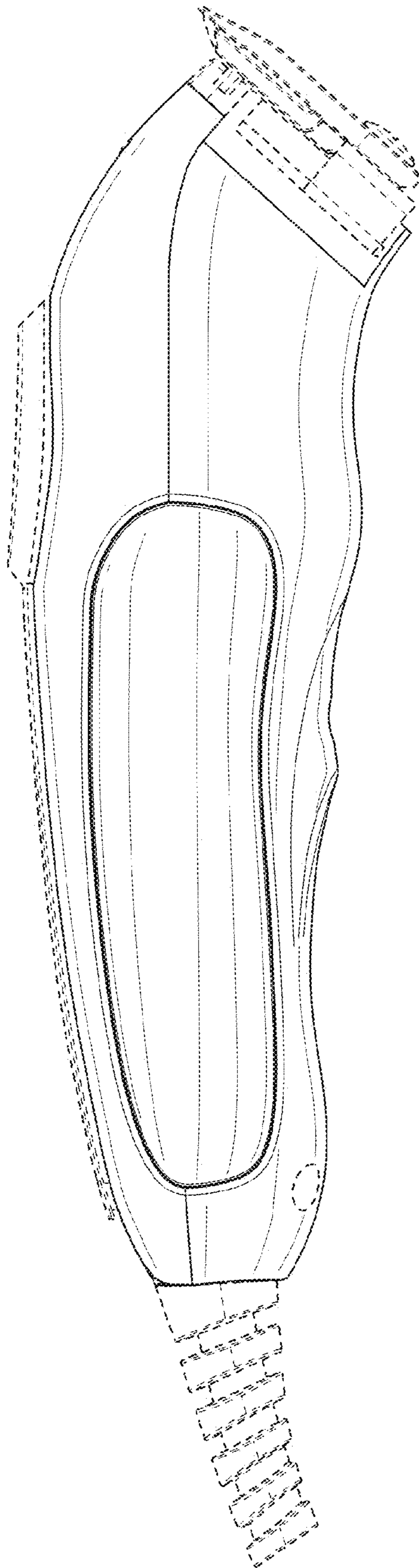


FIG. 5

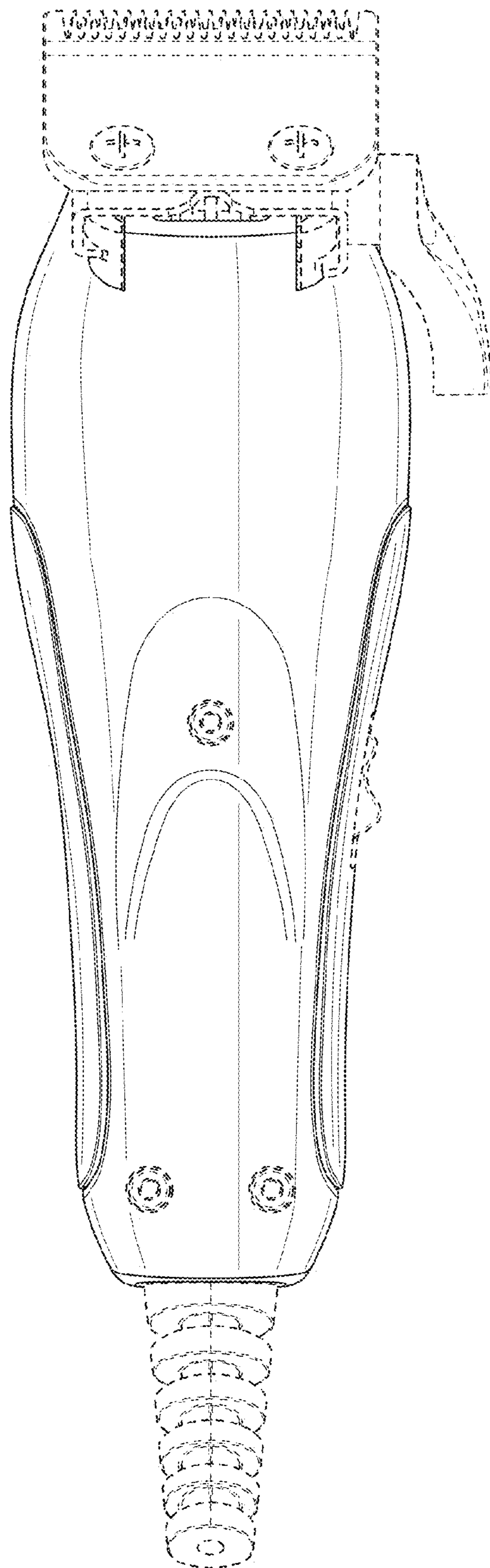


FIG. 6

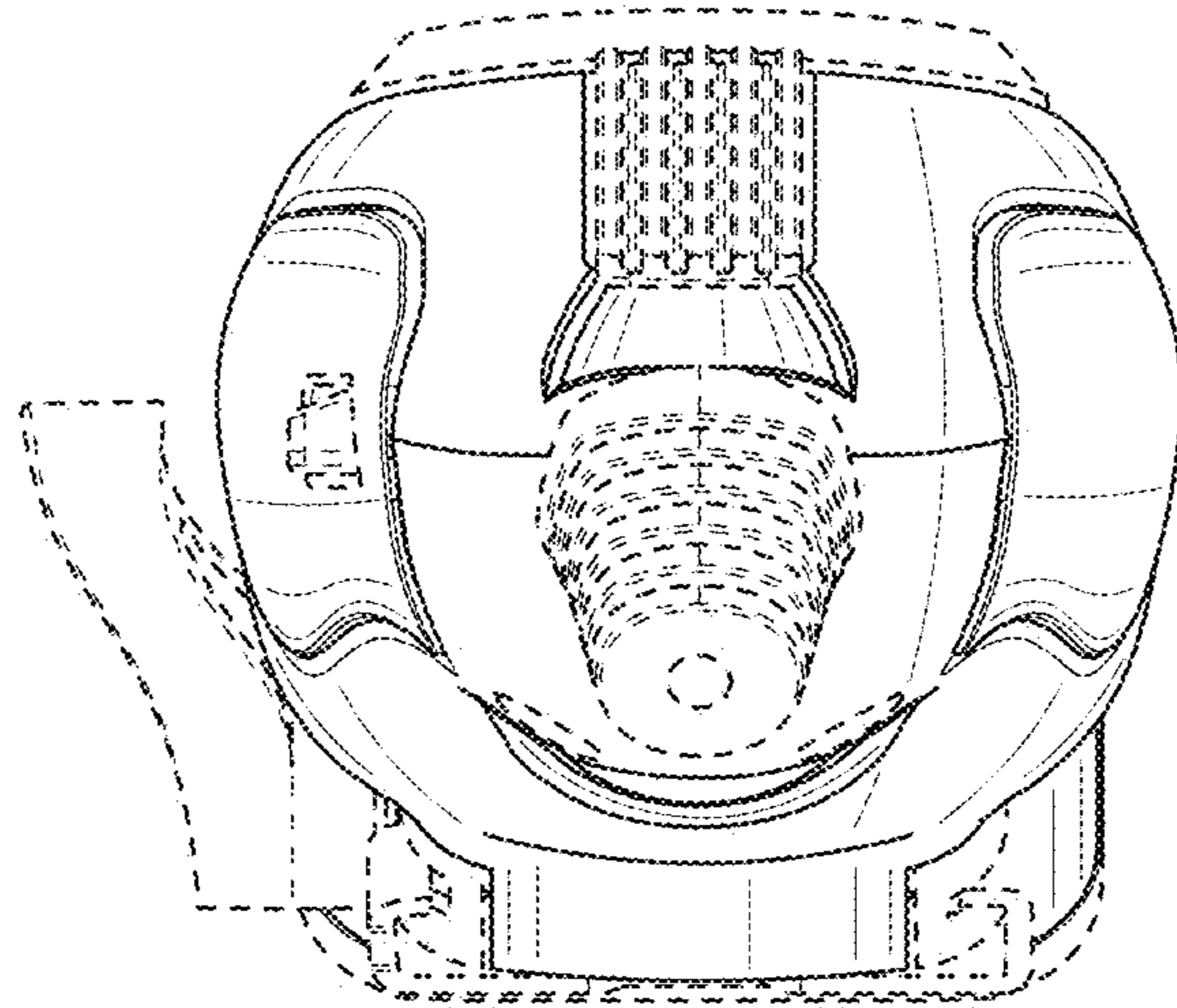


FIG. 7

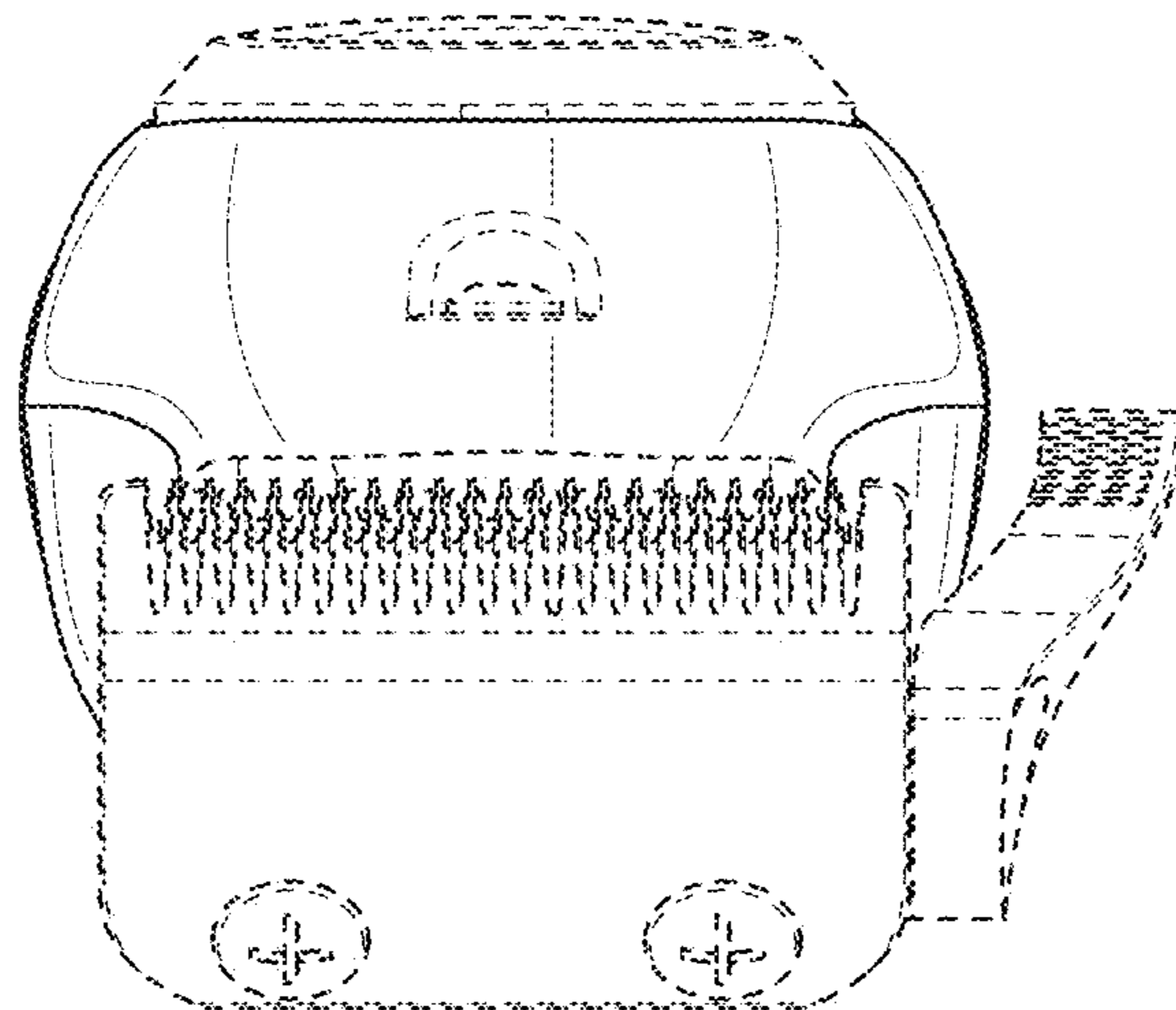


FIG. 8

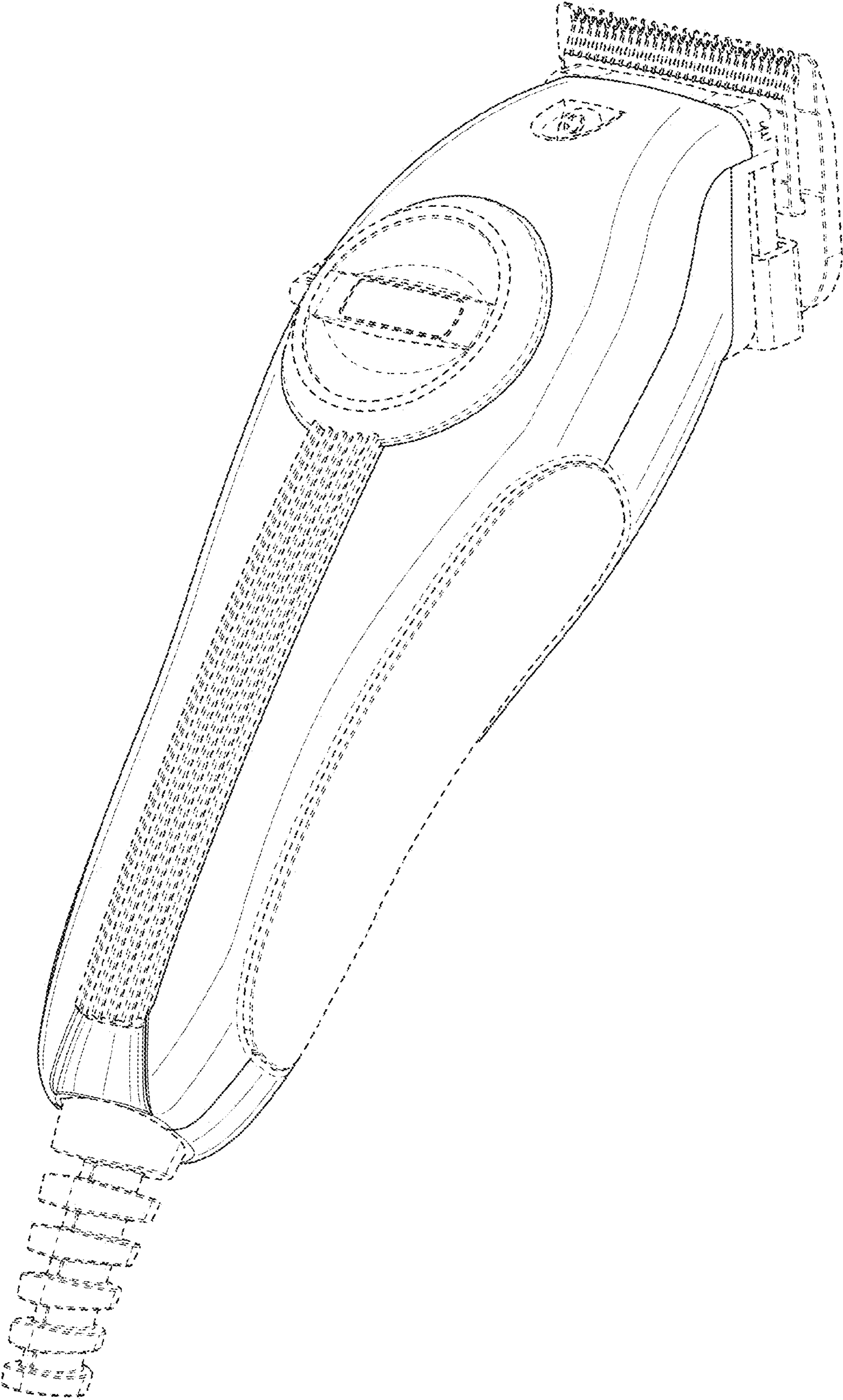


FIG. 9

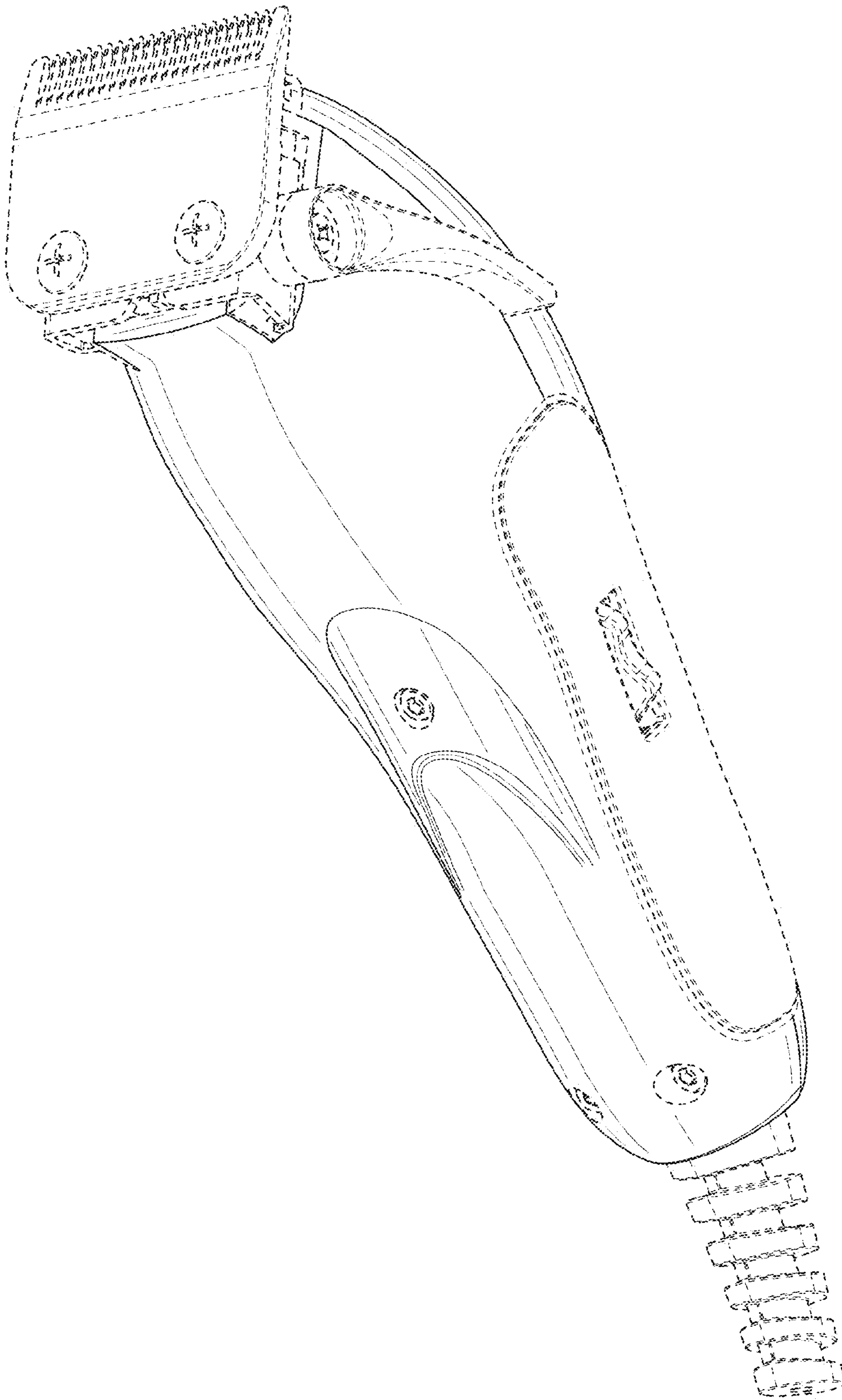


FIG. 10

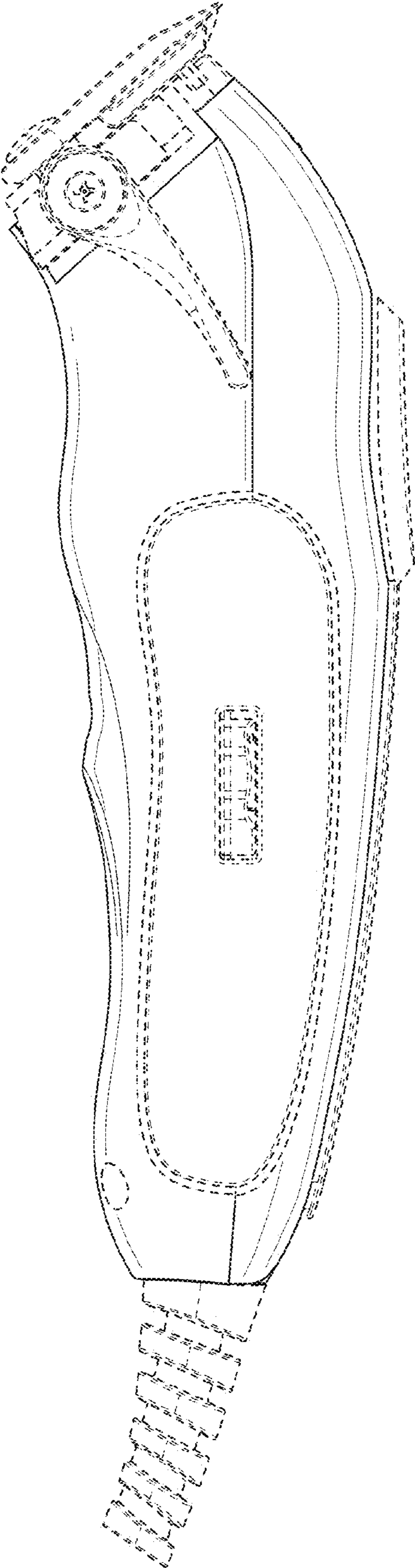


FIG. 11

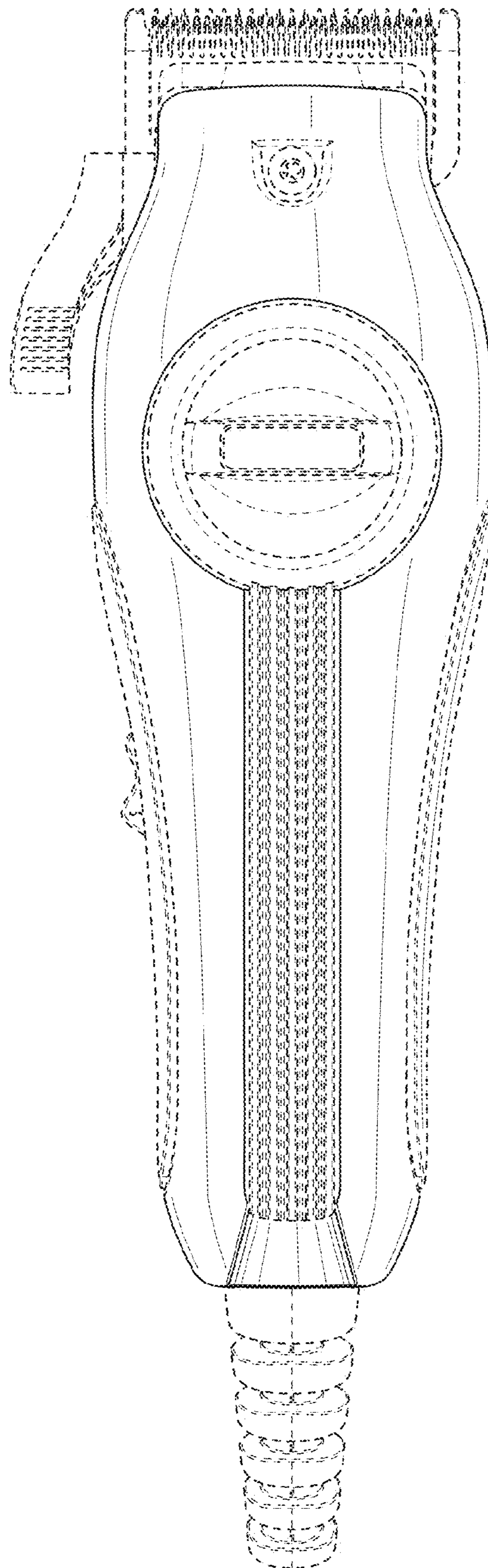


FIG. 12

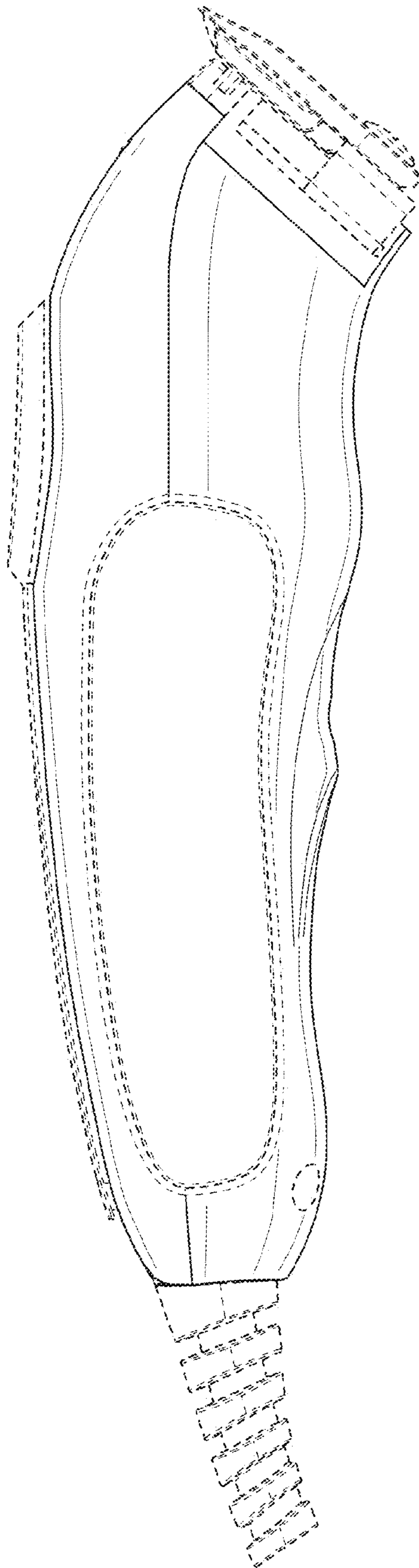


FIG. 13

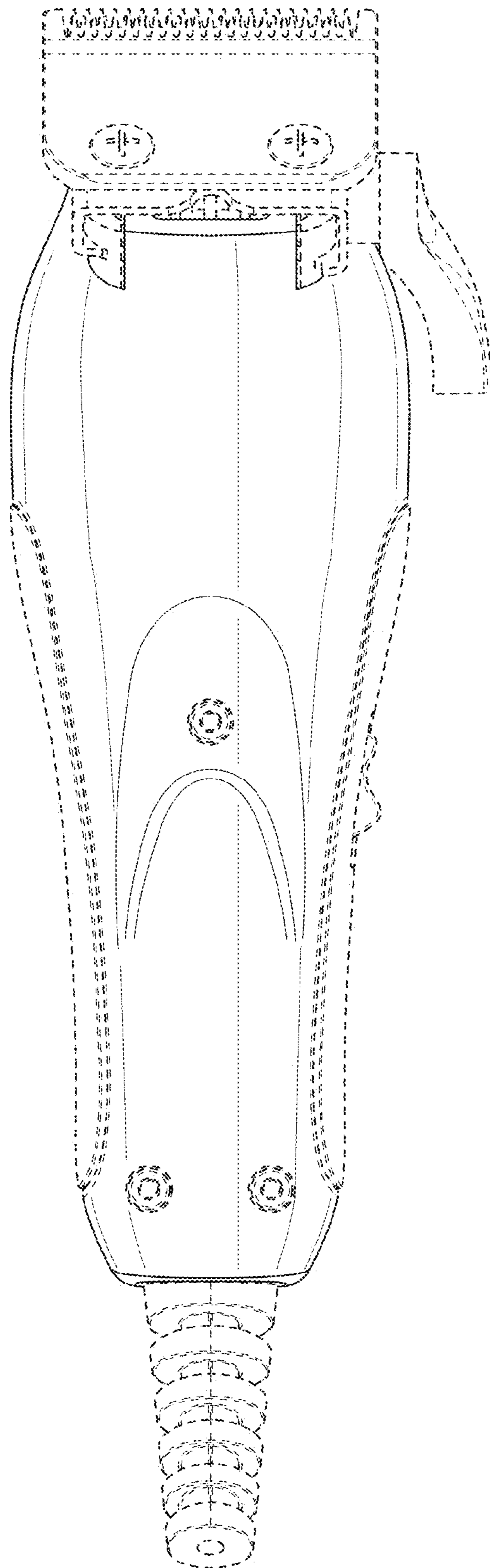


FIG. 14

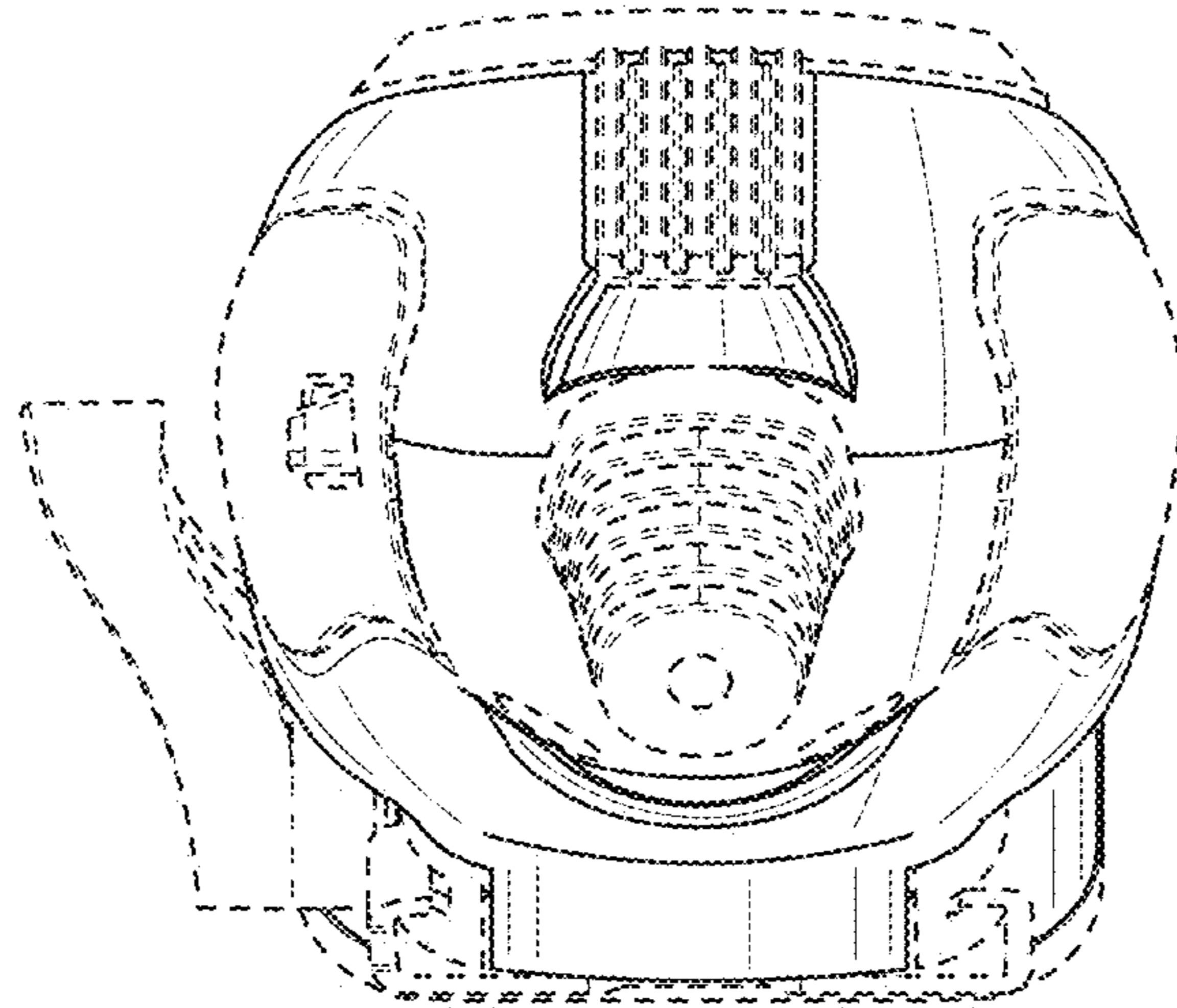


FIG. 15

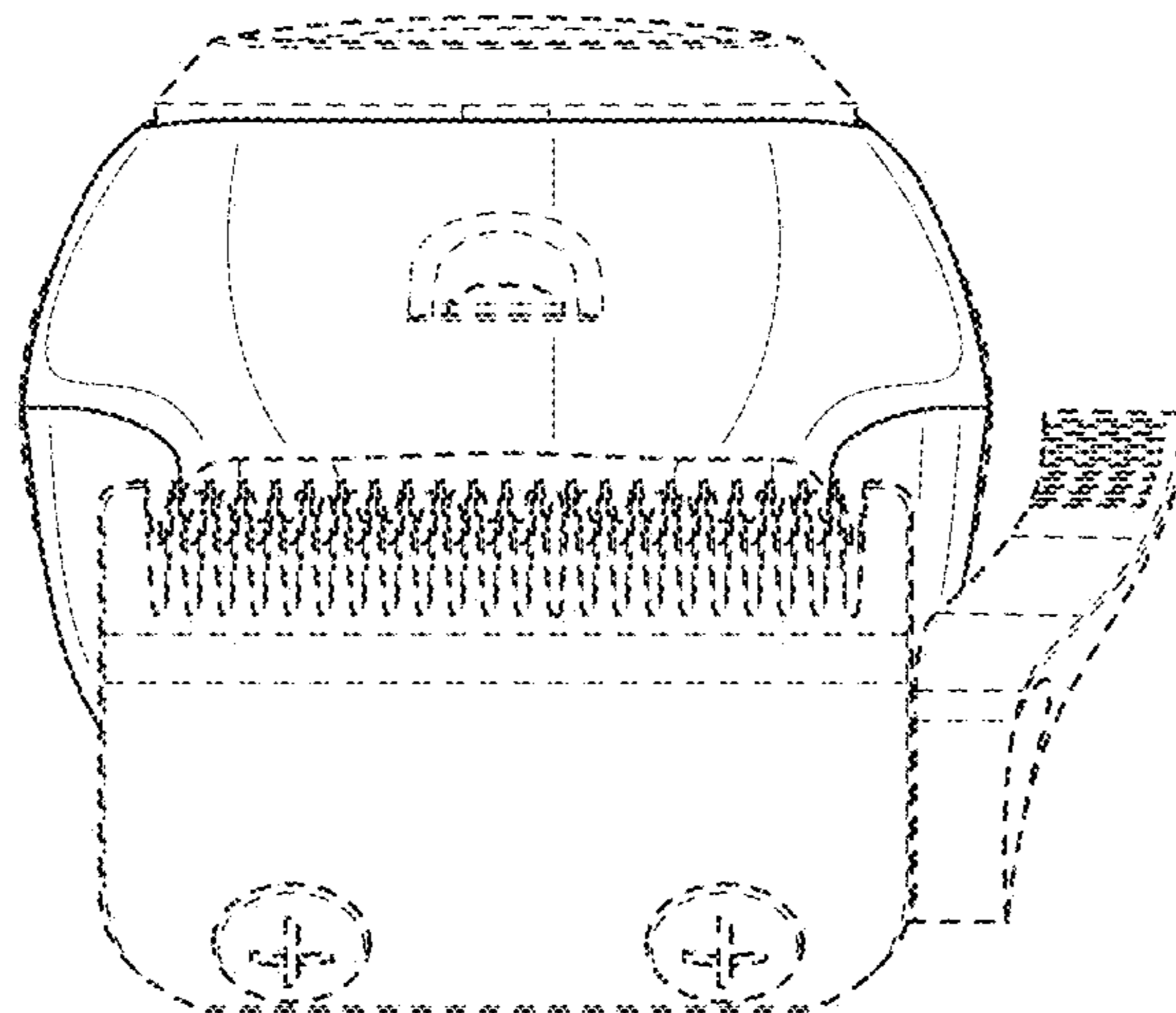


FIG. 16