



US00D946826S

(12) **United States Design Patent**
Gong et al.

(10) **Patent No.:** **US D946,826 S**

(45) **Date of Patent:** **** Mar. 22, 2022**

(54) **HAIR REMOVAL DEVICE**

(71) Applicants: **Yong Gong**, Guangdong (CN);
Zhongtai Wang, Guangdong (CN)

(72) Inventors: **Yong Gong**, Guangdong (CN);
Zhongtai Wang, Guangdong (CN)

(73) Assignee: **Shenzhen Desida Technology Co., Ltd.**, Guangdong (CN)

(**) Term: **15 Years**

(21) Appl. No.: **29/752,114**

(22) Filed: **Sep. 25, 2020**

(30) **Foreign Application Priority Data**

Aug. 6, 2020 (CN) 202030444554.7

(51) **LOC (13) Cl.** **28-03**

(52) **U.S. Cl.**
USPC **D28/44.1; D24/209; D24/214**

(58) **Field of Classification Search**
USPC D28/9, 44, 44.1, 52-54; D24/133, 209, D24/214
CPC B26B 19/00; B26B 19/10; B26B 19/12; B26B 19/02; B26B 19/04; B26B 19/38; A61B 2018/0047; A45D 26/00; A45D 26/0004-0009; A45D 26/0057; A45D 26/0071; A45D 2026/0095
See application file for complete search history.

(56) **References Cited**

U.S. PATENT DOCUMENTS

D535,746 S * 1/2007 Grove D24/144
D589,650 S * 3/2009 Adriaenssen D24/133

D705,939 S * 5/2014 Bradley D24/209
D782,659 S * 3/2017 Mehta D24/119
D827,929 S * 9/2018 Mathieu D28/44
D865,288 S * 10/2019 Huang D28/44.1
D865,289 S * 10/2019 Huang D28/44.1
D873,487 S * 1/2020 Nir D28/44.1
D895,207 S * 9/2020 Huang D28/44.1
D908,957 S * 1/2021 Huang D28/44.1
D912,323 S * 3/2021 An D28/44.1
2016/0287333 A1* 10/2016 Morrison A61B 18/203

* cited by examiner

Primary Examiner — Jennifer Rivard
Assistant Examiner — Alison M Ofstun

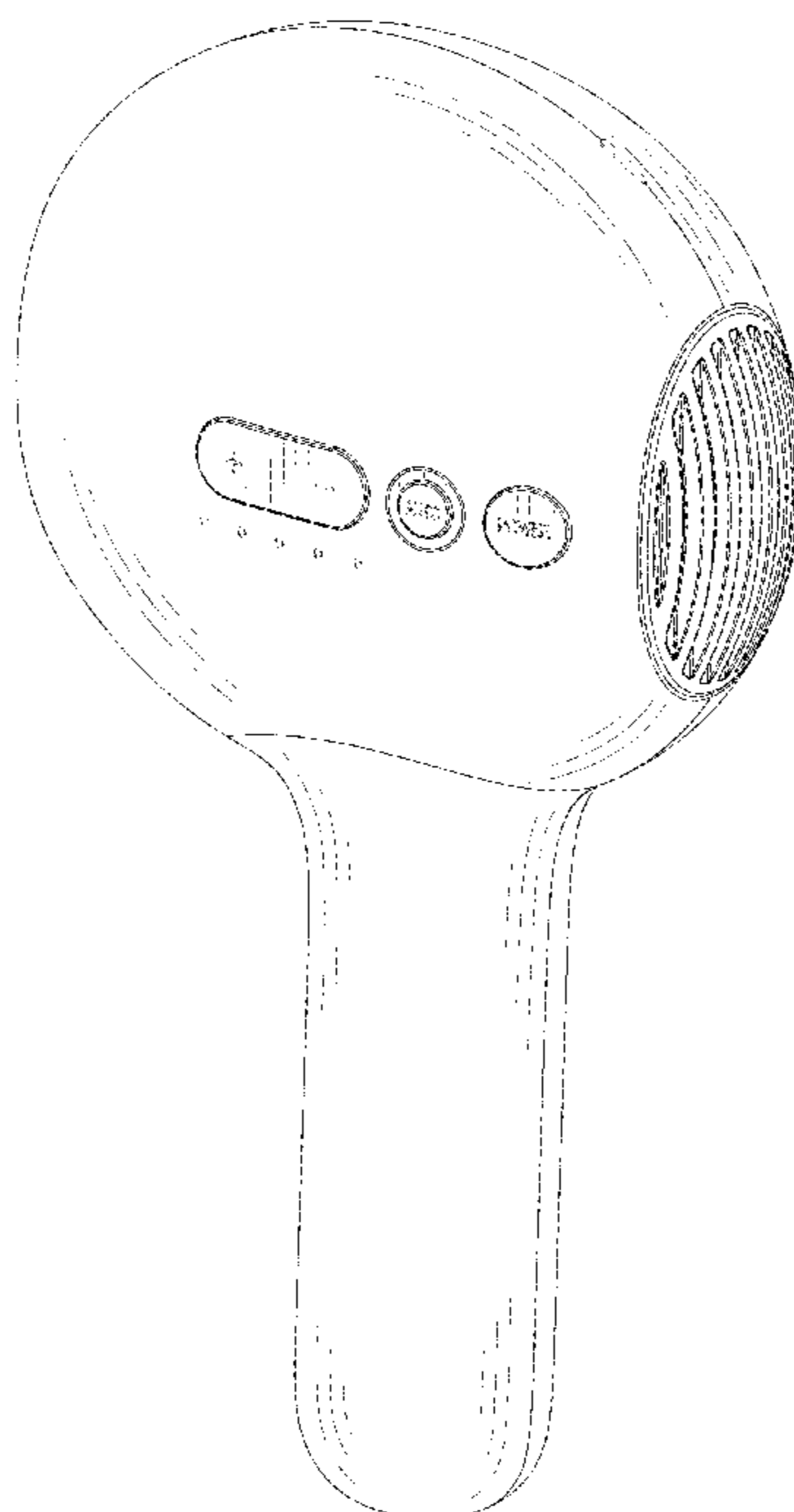
(57) **CLAIM**

The ornamental design for a hair removal device, as shown and described.

DESCRIPTION

FIG. 1 is a perspective view of a hair removal device, showing our new design;
FIG. 2 is a front elevational view thereof;
FIG. 3 is a rear elevational view thereof;
FIG. 4 is a left side elevational view thereof;
FIG. 5 is a right side elevational view thereof;
FIG. 6 is a top plan view thereof;
FIG. 7 is a bottom plan view thereof; and,
FIG. 8 is a rear, left side perspective view thereof.
The broken lines in the drawings depict portions of the hair removal device that form no part of the claimed design.

1 Claim, 8 Drawing Sheets



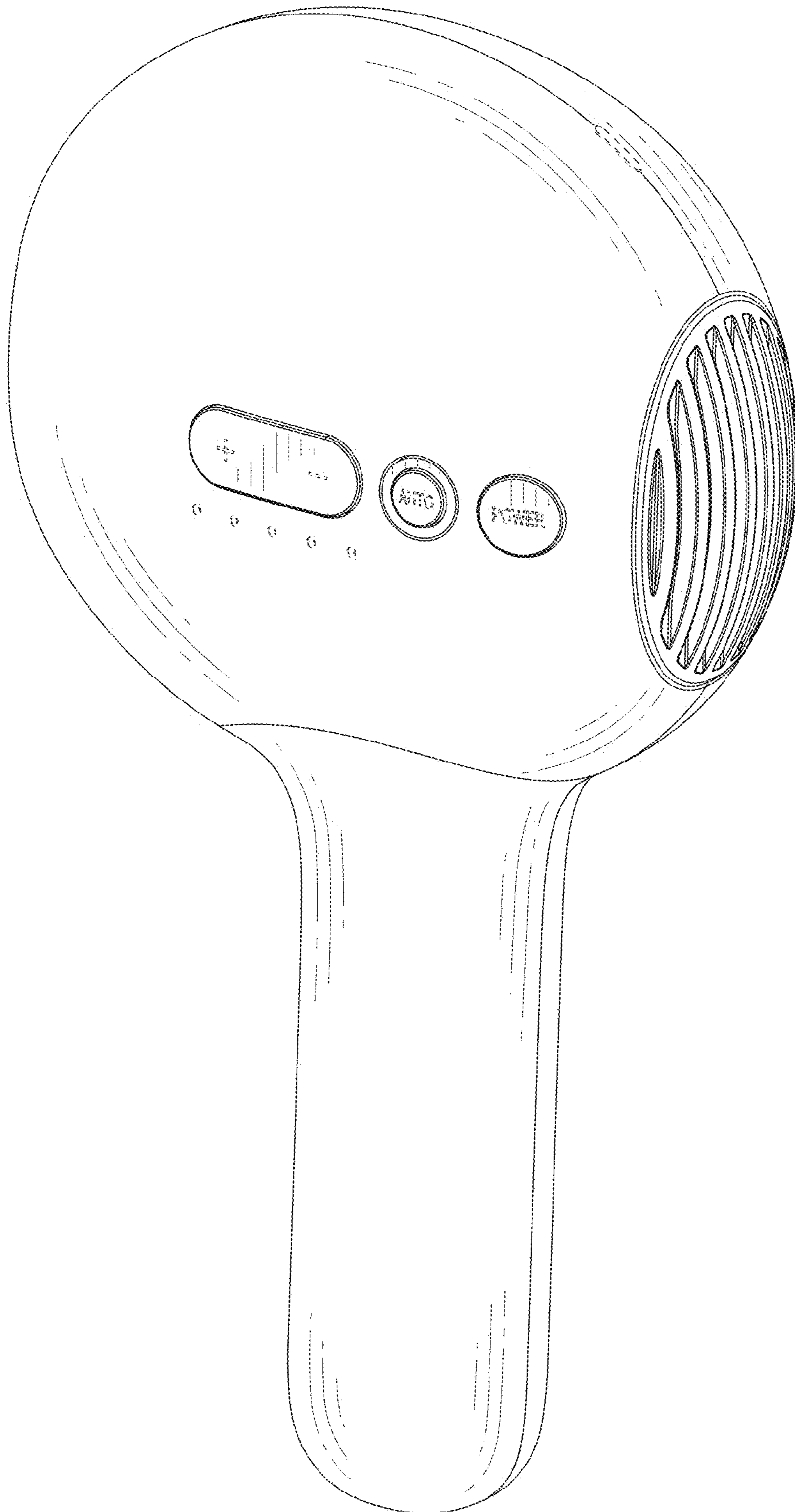


FIG. 1

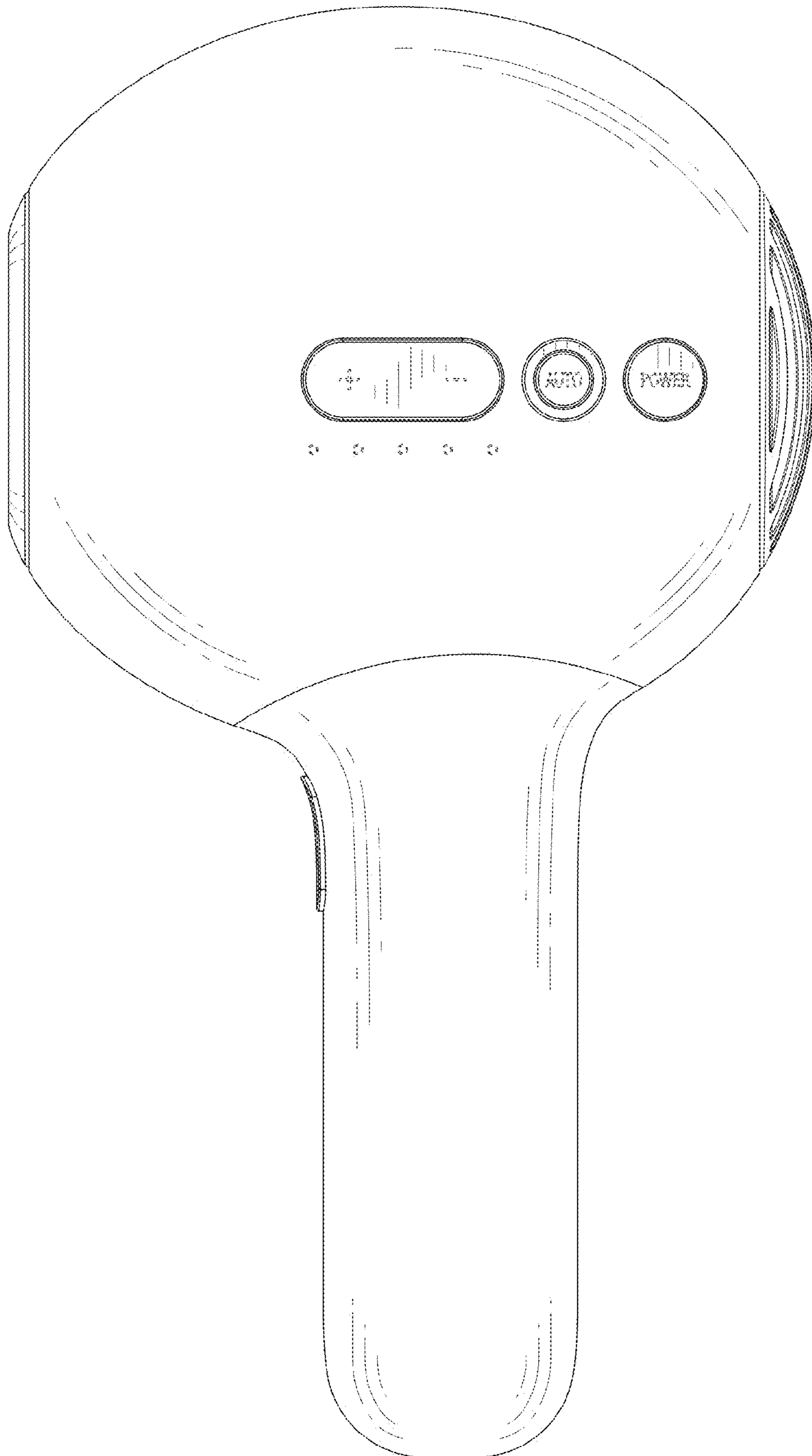


FIG. 2

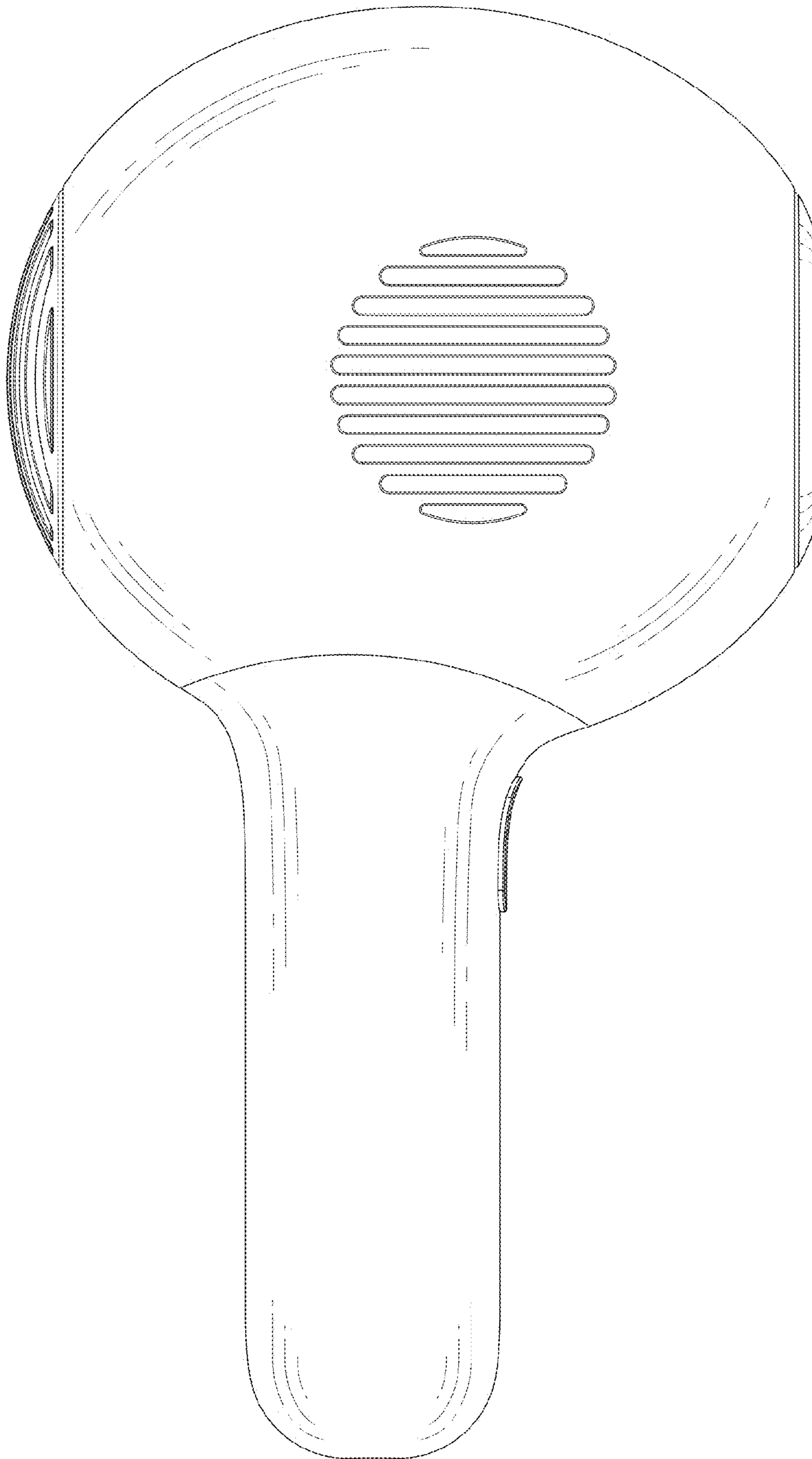


FIG. 3

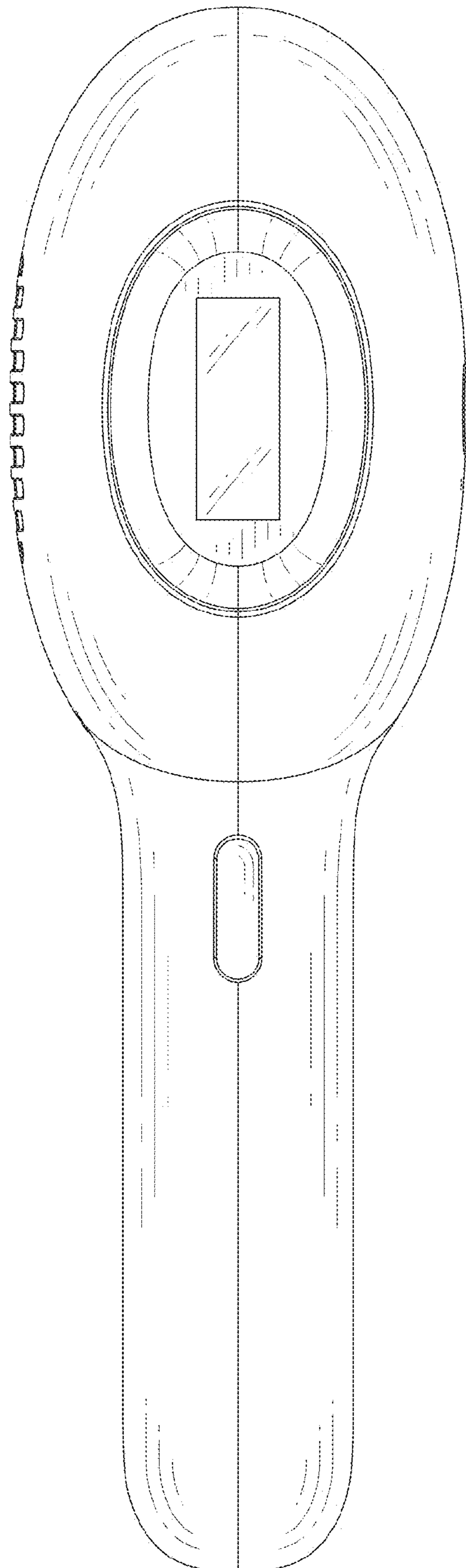


FIG. 4

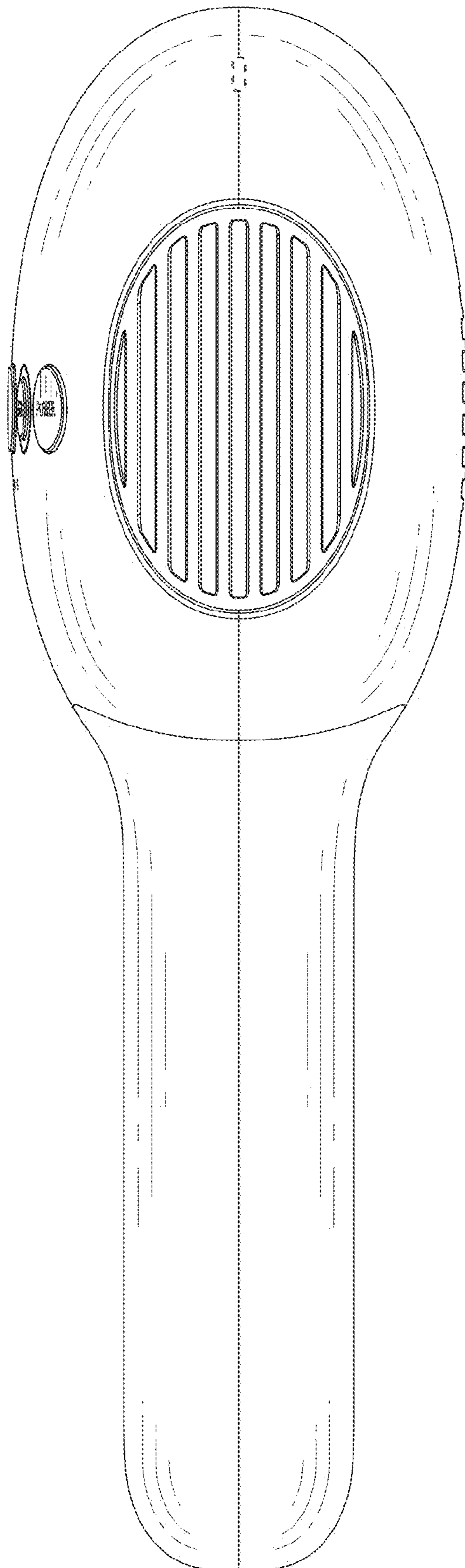


FIG. 5

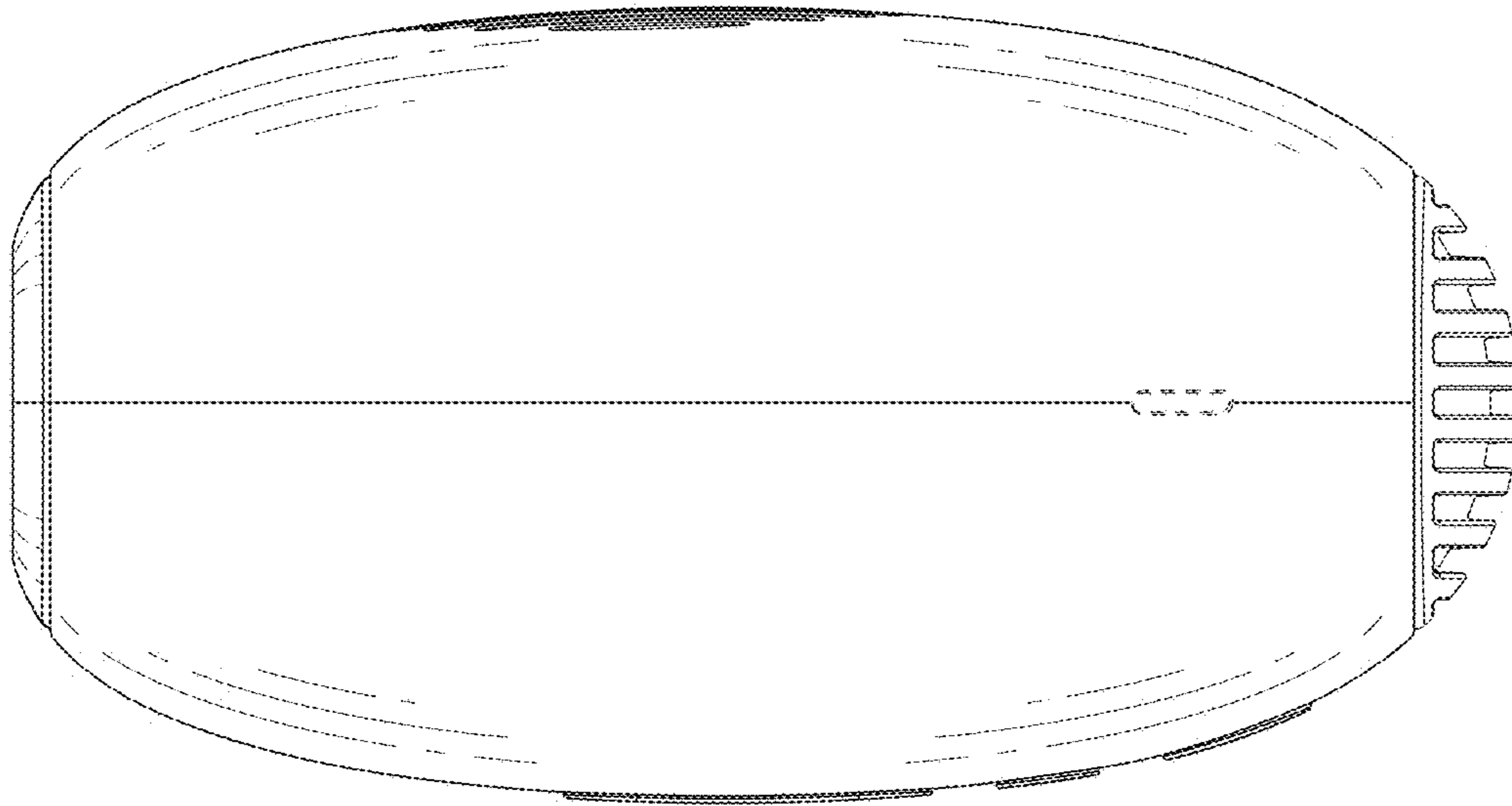


FIG. 6

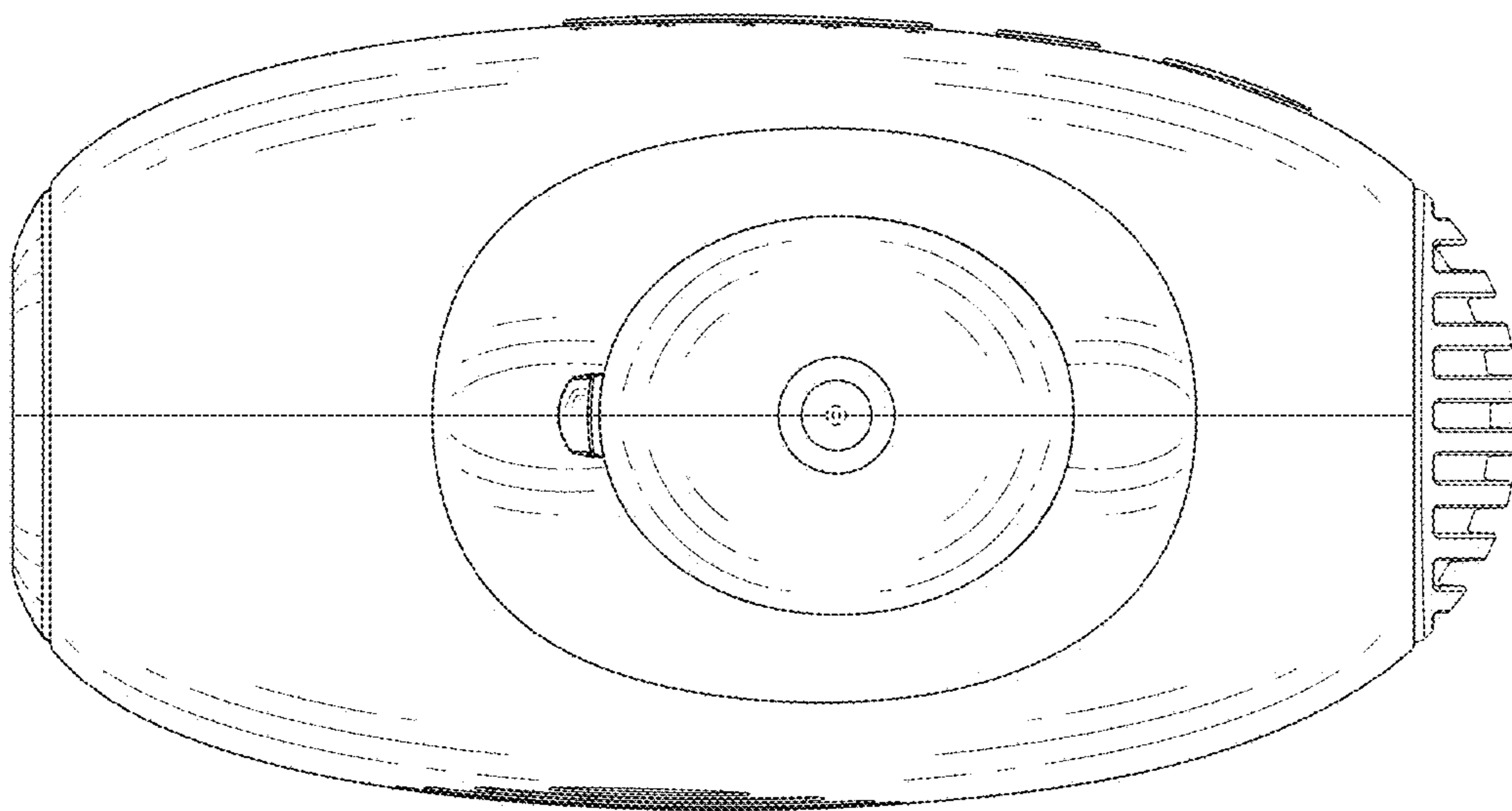


FIG. 7

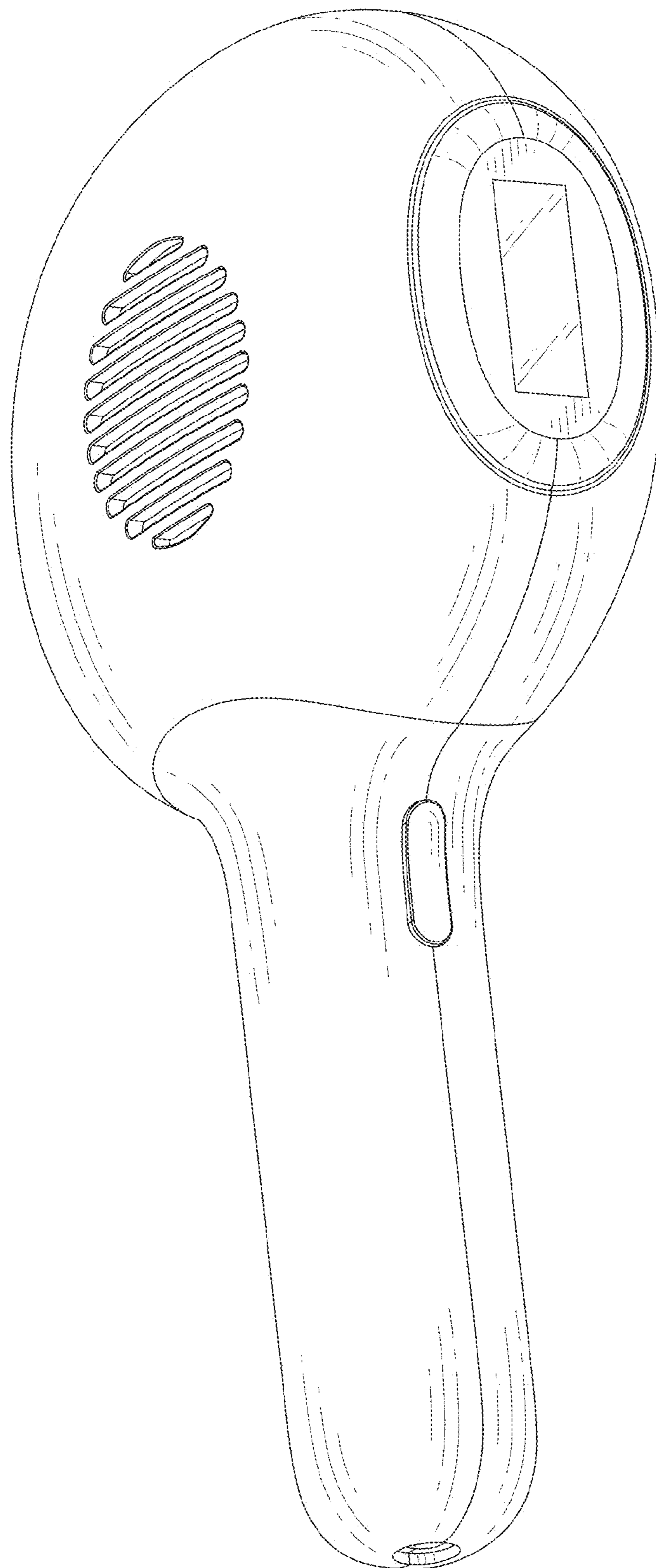


FIG. 8