



US00D946824S

(12) **United States Design Patent** (10) **Patent No.:** **US D946,824 S**
Hinds (45) **Date of Patent:** **** Mar. 22, 2022**

- (54) **HAIR PARTING TOOL**
- (71) Applicant: **Conair Corporation**, Stamford, CT (US)
- (72) Inventor: **Kristen L. Hinds**, Cos Cob, CT (US)
- (73) Assignee: **Conair Corporation**, Stamford, CT (US)
- (**) Term: **15 Years**
- (21) Appl. No.: **29/723,235**
- (22) Filed: **Feb. 5, 2020**
- (51) **LOC (13) Cl.** **28-03**
- (52) **U.S. Cl.**
USPC **D28/10**
- (58) **Field of Classification Search**
USPC D28/7, 10, 39, 41, 56, 57, 99; D24/119, D24/200, 171
CPC A45D 33/00; A45D 33/22; A45D 33/24; A45D 29/00; A45D 20/00; A45D 20/04; A45D 20/08; A45D 20/48; A45D 2002/005; A45D 2/12; A45D 2/14; A45D 2/04; A45D 2/06; A45D 1/00; A45D 7/02; A45D 24/34; A45D 2024/345
See application file for complete search history.

- D703,376 S 4/2014 Nome et al.
 - D703,868 S 4/2014 Nome et al.
 - D715,487 S 10/2014 Nome et al.
 - D720,861 S * 1/2015 Rust Huthmaker D24/192
 - D736,938 S * 8/2015 Lementec D24/200
 - 9,234,654 B1 1/2016 Wang
 - D892,399 S * 8/2020 Peters D28/7
- (Continued)

FOREIGN PATENT DOCUMENTS

CN 202030422131.5 * 7/2020

OTHER PUBLICATIONS

Cash Lawless Demo's the "Parting Tool" on Nina Agdal, Modern Salon, published on Jan. 10, 2020 on youtube.com, retrieved on Aug. 25, 2021, retrieved from the Internet URL: <https://www.youtube.com/watch?v=mbHdxbd6M8U>.*

Primary Examiner — Jennifer Rivard
Assistant Examiner — Alison M Ofstun
(74) *Attorney, Agent, or Firm* — Lawrence Cruz, Esq.; Ryan, Mason & Lewis, LLP

(57) **CLAIM**

The ornamental design for a hair parting tool, as shown and described.

DESCRIPTION

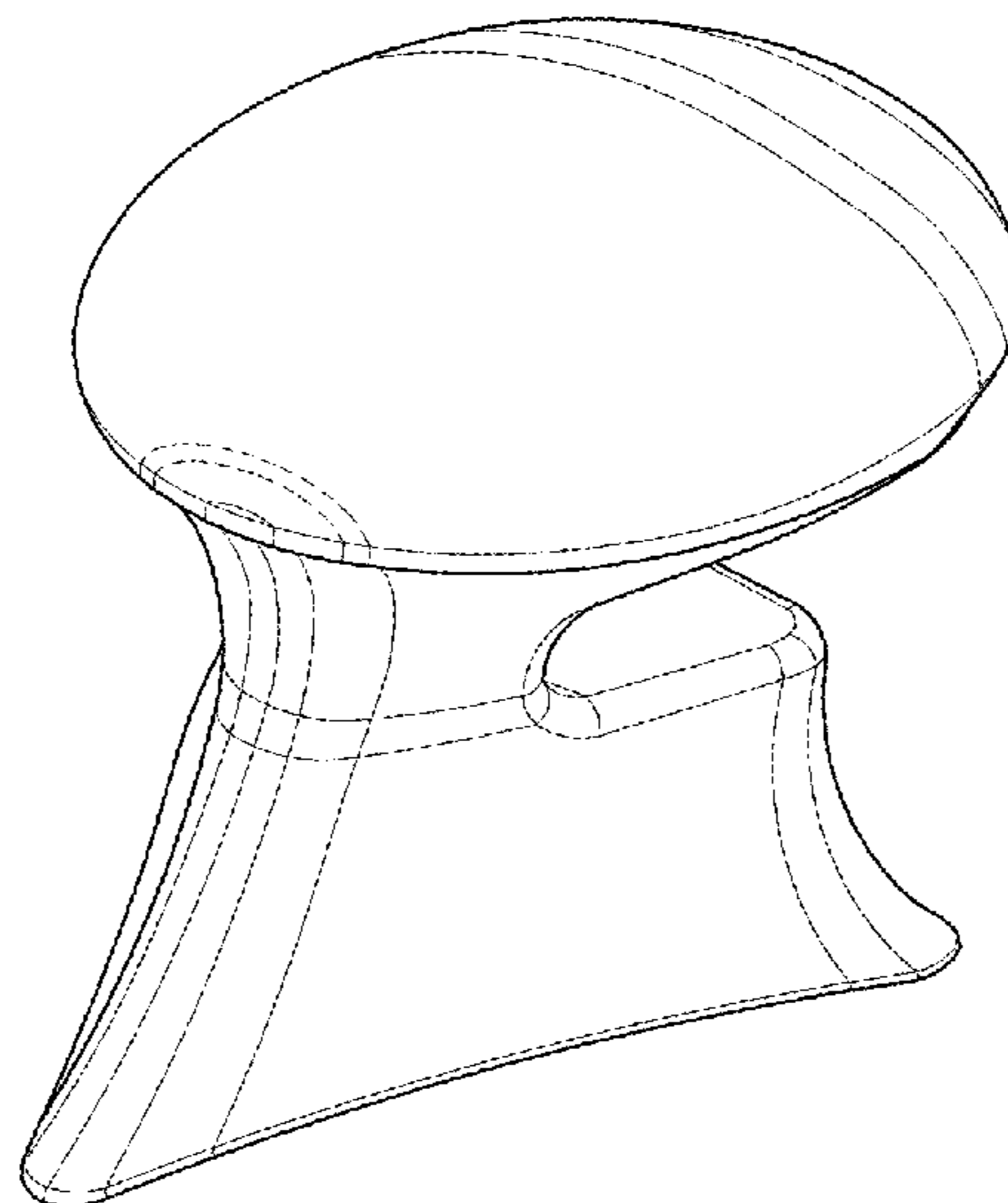
FIG. 1 is a first perspective view of the hair parting tool showing my new design;
FIG. 2 is a rear perspective view thereof;
FIG. 3 is a first side elevation view thereof;
FIG. 4 is a second side elevation view thereof;
FIG. 5 is a top plan view thereof;
FIG. 6 is a bottom plan view thereof;
FIG. 7 is a front view thereof; and,
FIG. 8 is a rear view thereof.
In the drawings, the broken lines illustrate portions of the hair parting tool which form no part of the claimed design.

1 Claim, 5 Drawing Sheets

(56) **References Cited**

U.S. PATENT DOCUMENTS

- 4,211,247 A * 7/1980 Morganroth B65D 47/263
132/270
- 4,273,144 A * 6/1981 Morganroth A45D 7/04
132/270
- 4,999,747 A 3/1991 Chen
- 6,568,404 B2 * 5/2003 Mitchem A45D 19/02
132/112
- 6,626,184 B1 9/2003 Cheng
- 7,473,004 B1 1/2009 Tsai
- D603,584 S 11/2009 Porter
- D641,930 S * 7/2011 Poletto D28/76
- D695,453 S 12/2013 Nome et al.



(56)

References Cited

U.S. PATENT DOCUMENTS

D892,400 S * 8/2020 Nelson D28/7
D911,601 S * 2/2021 Tuttle D28/7
D919,174 S * 5/2021 Matsuishi D28/7
2009/0116226 A1 5/2009 Wang
2012/0192893 A1* 8/2012 Anderson A45D 19/02
132/219
2018/0228264 A1* 8/2018 Acosta-Conley A45D 24/34

* cited by examiner

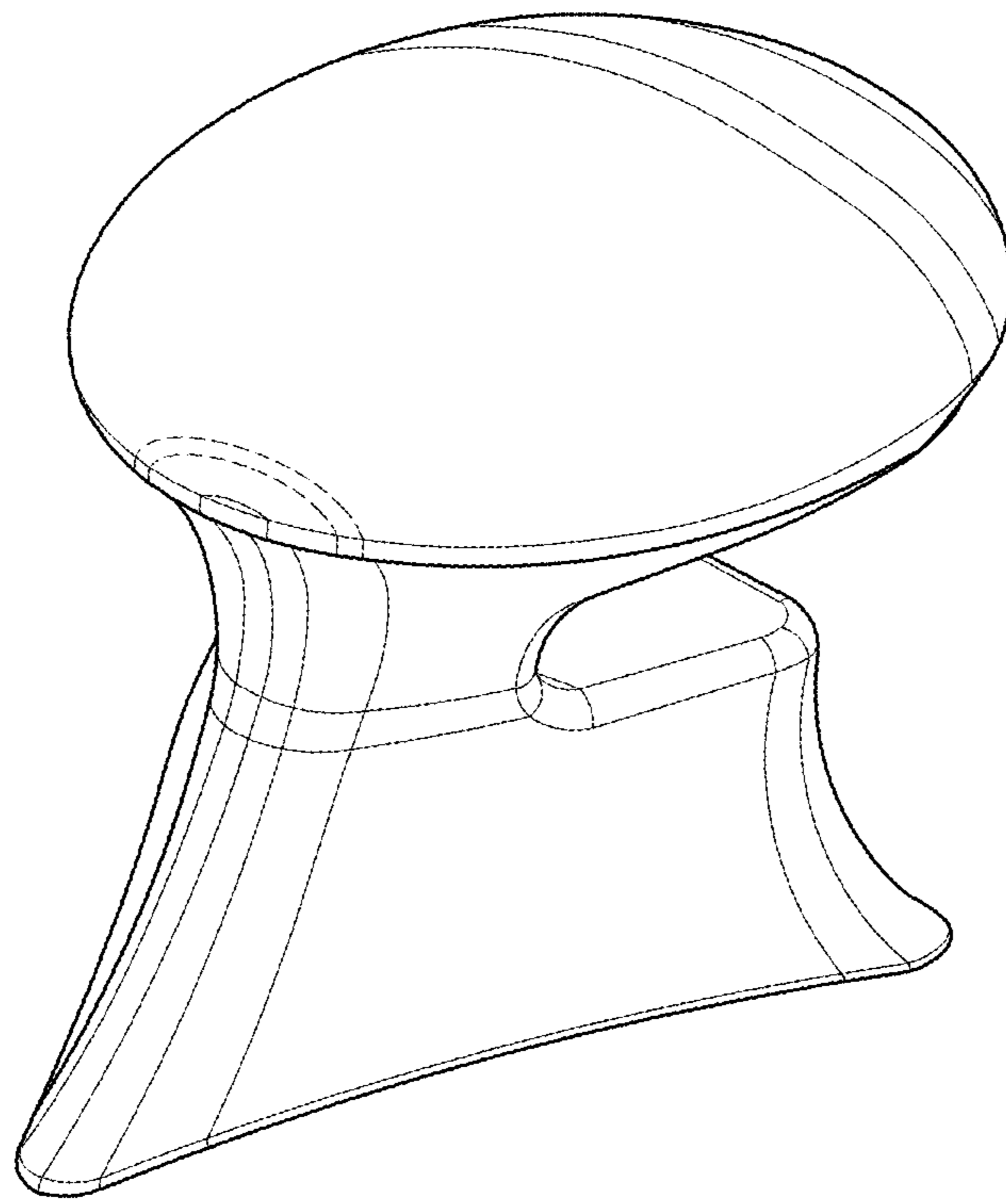


FIG. 1

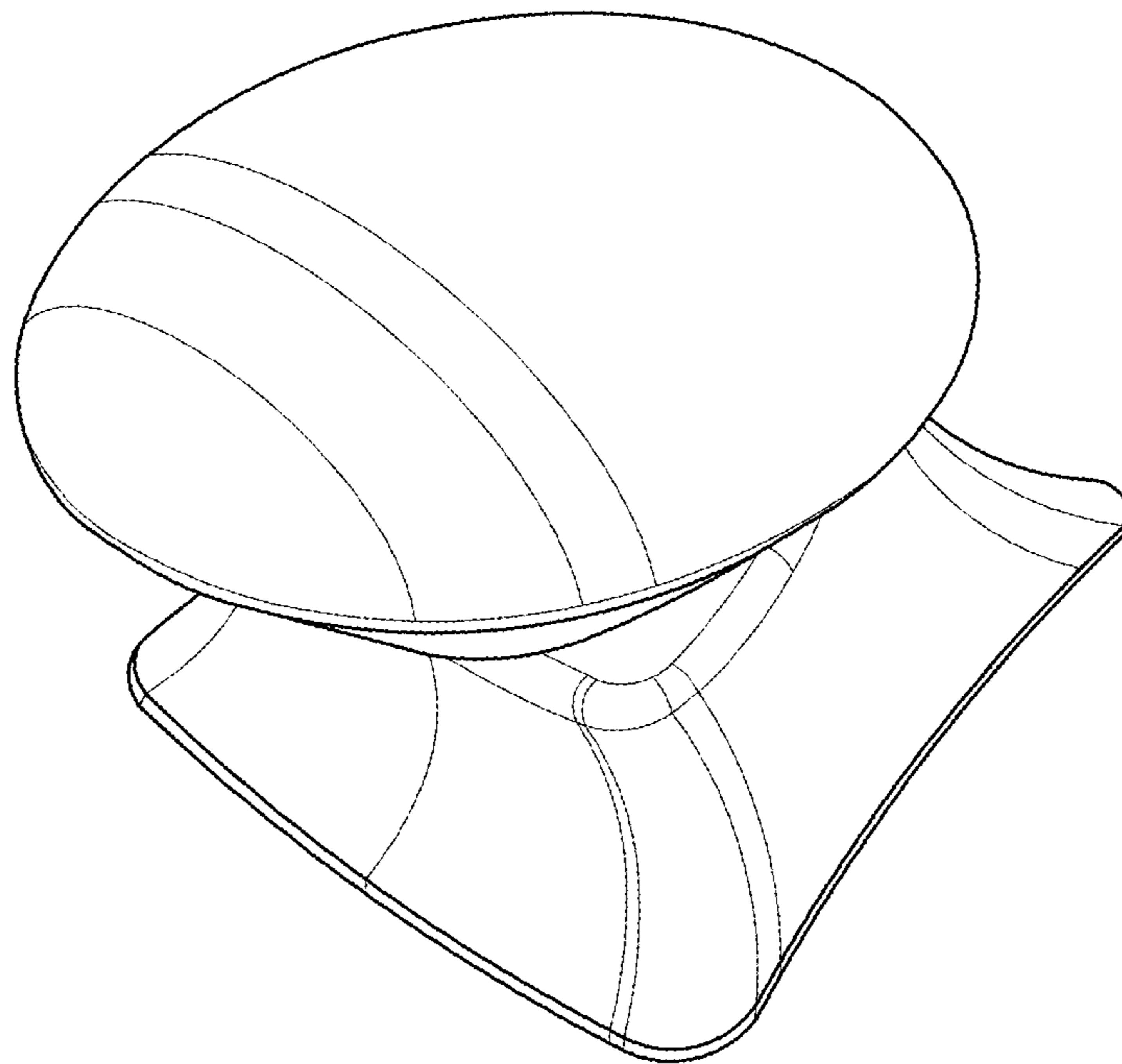


FIG. 2

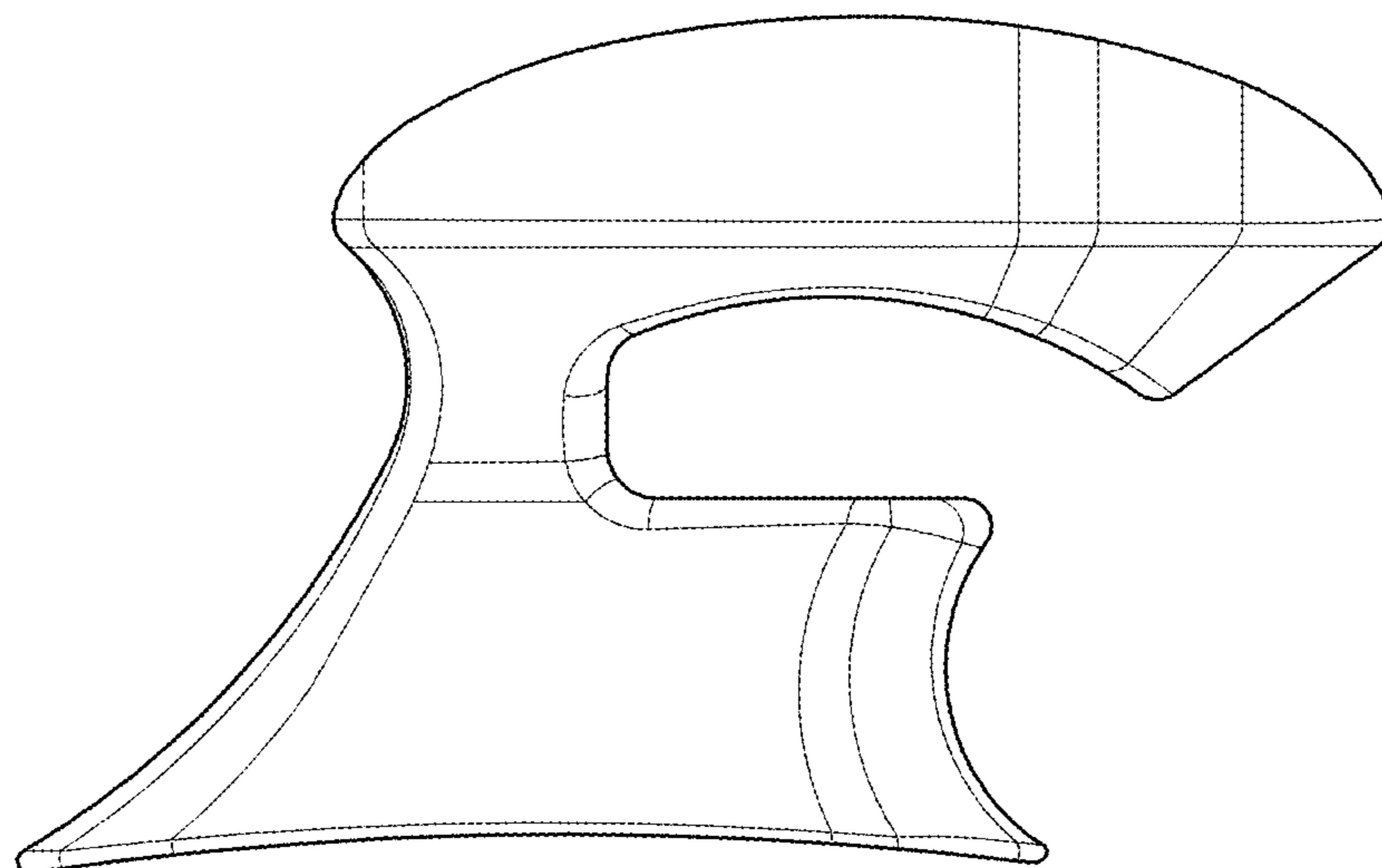


FIG. 3

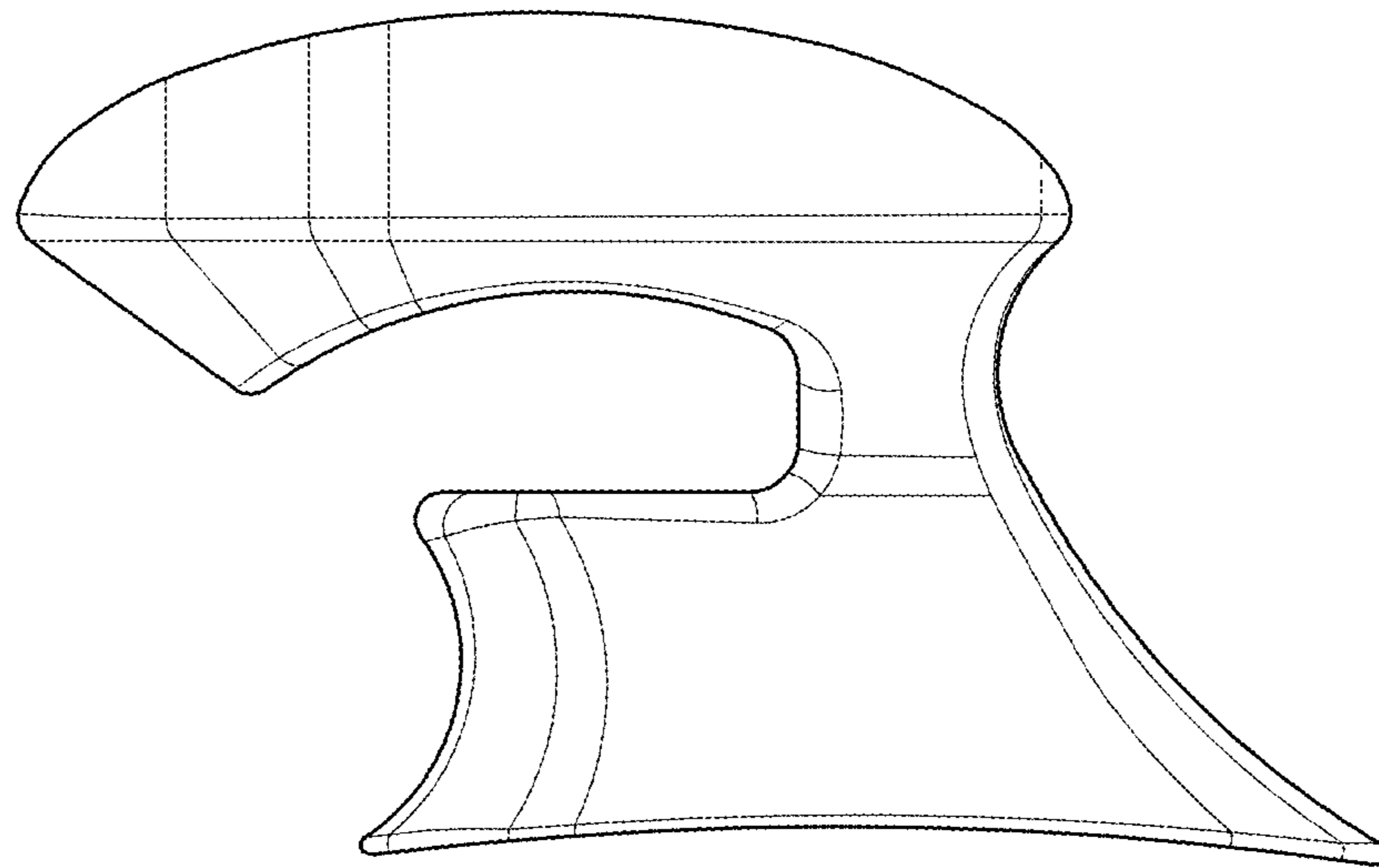


FIG. 4

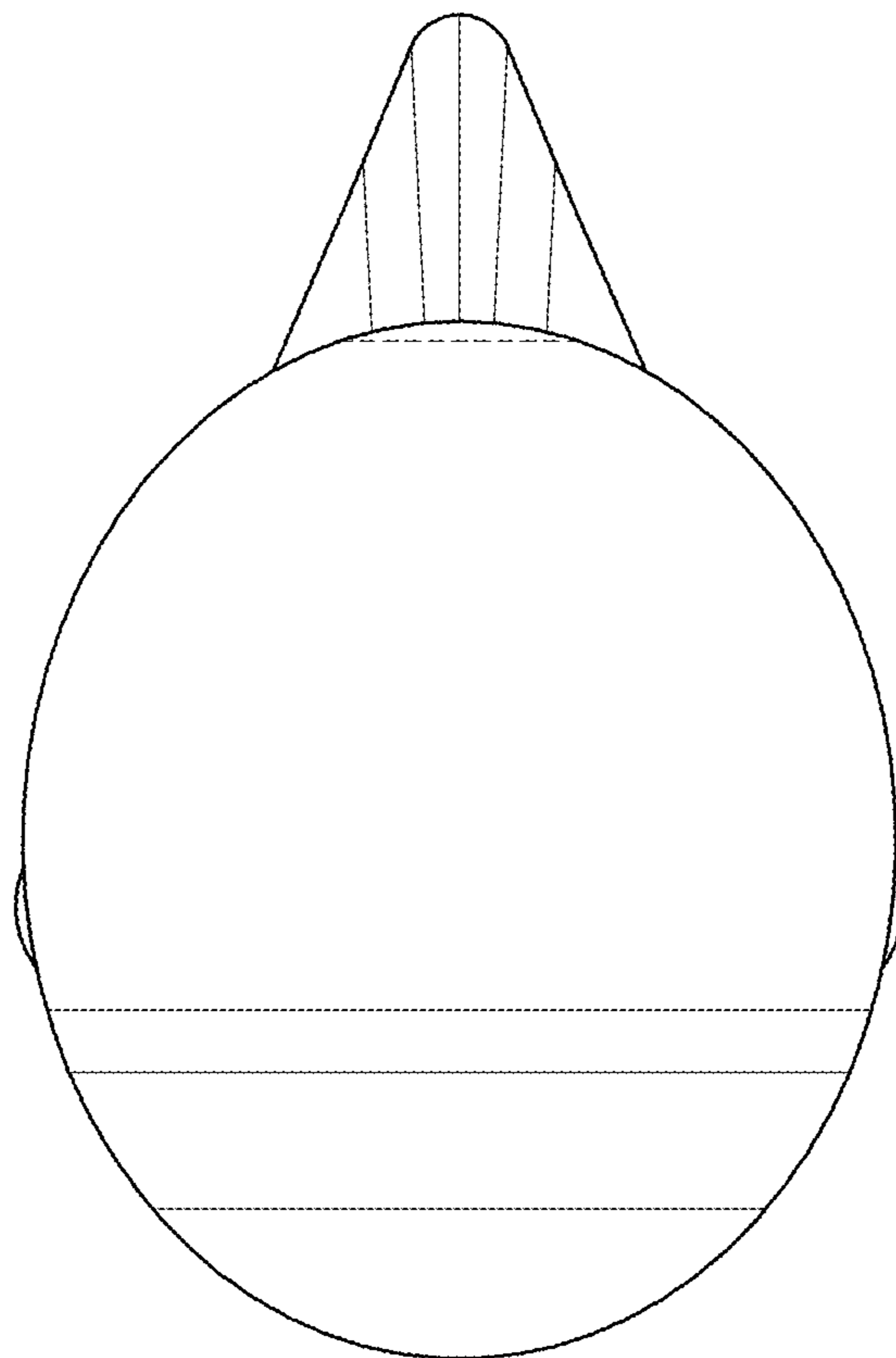


FIG. 5

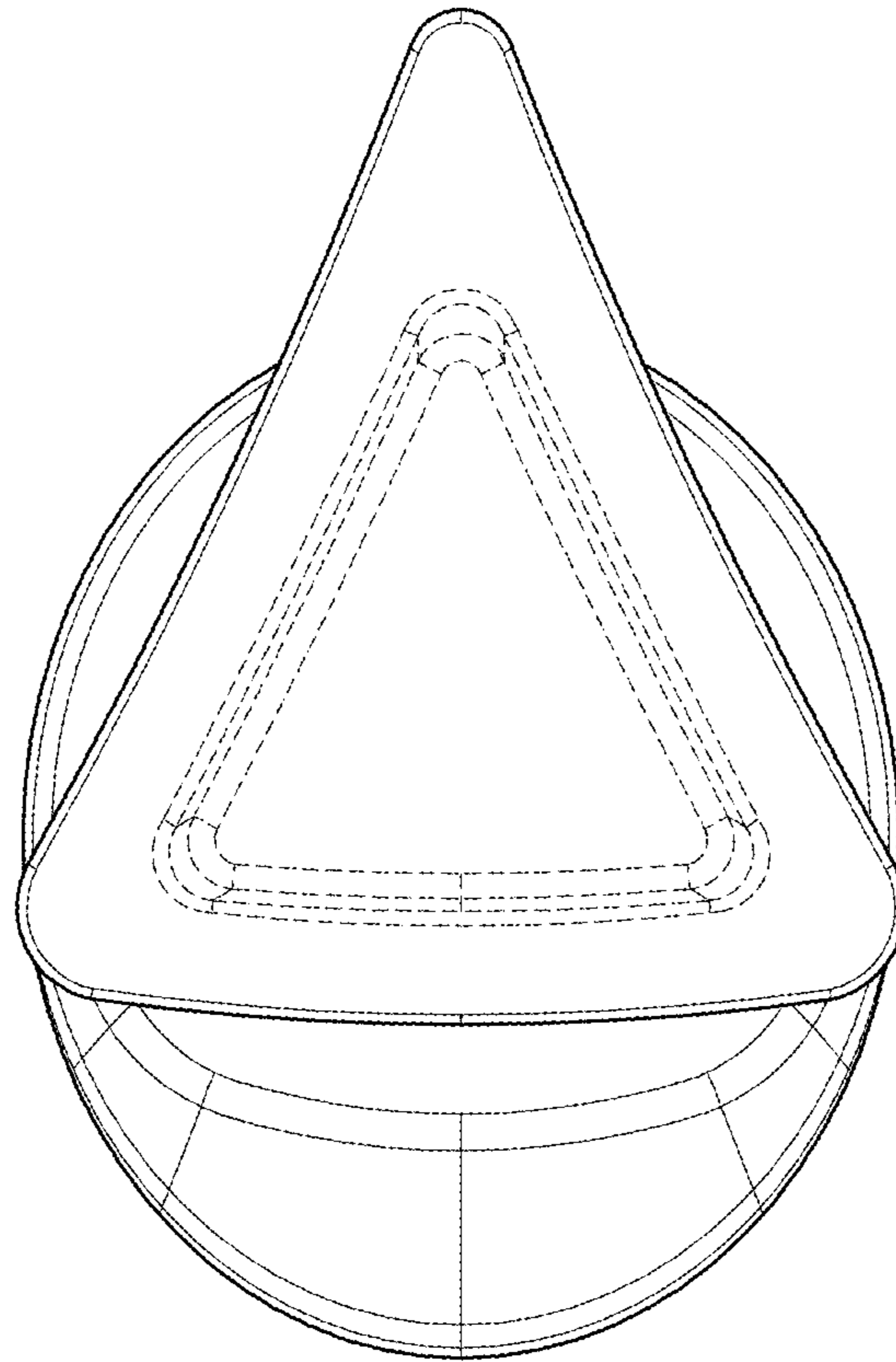


FIG. 6

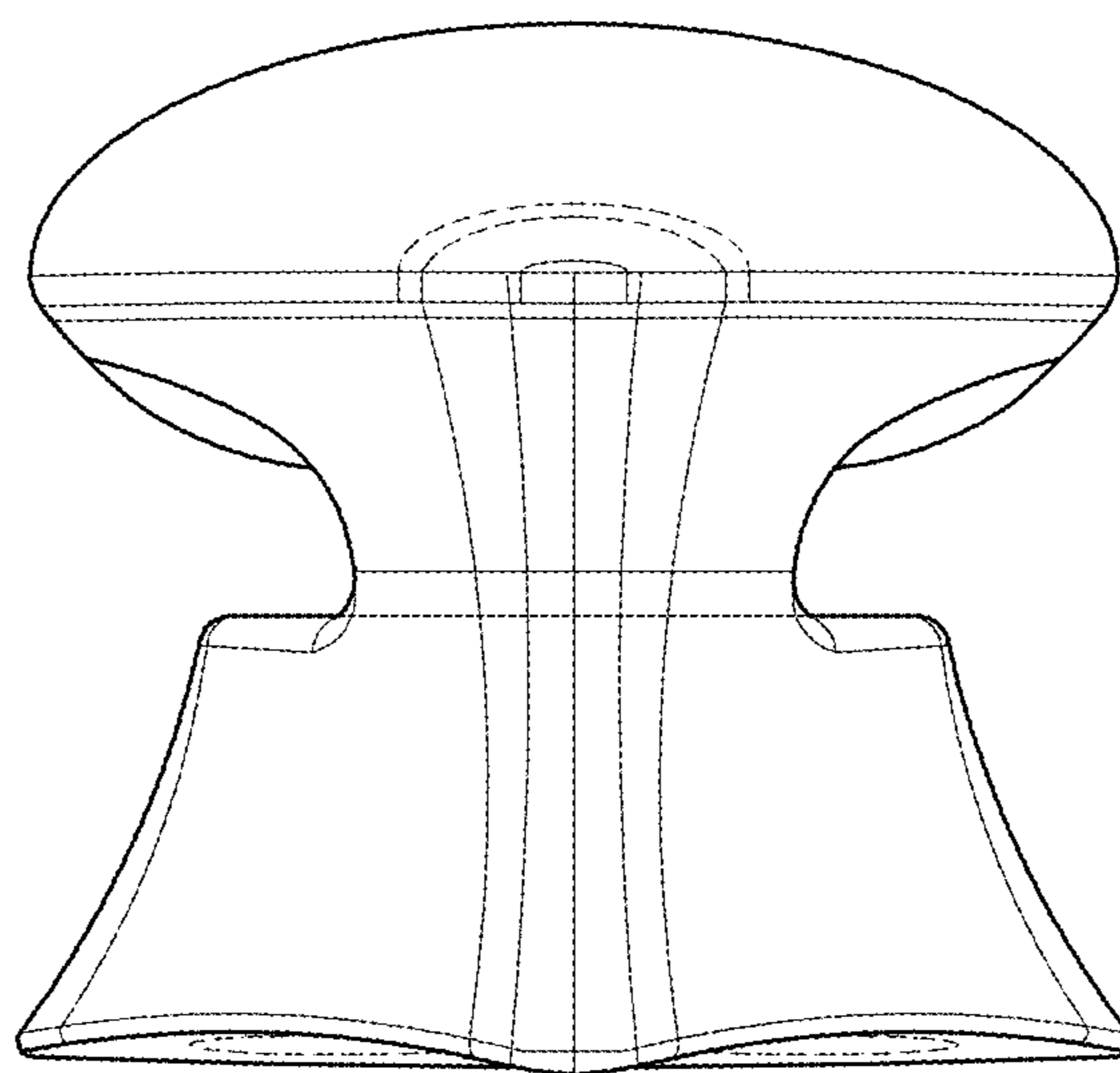


FIG. 7

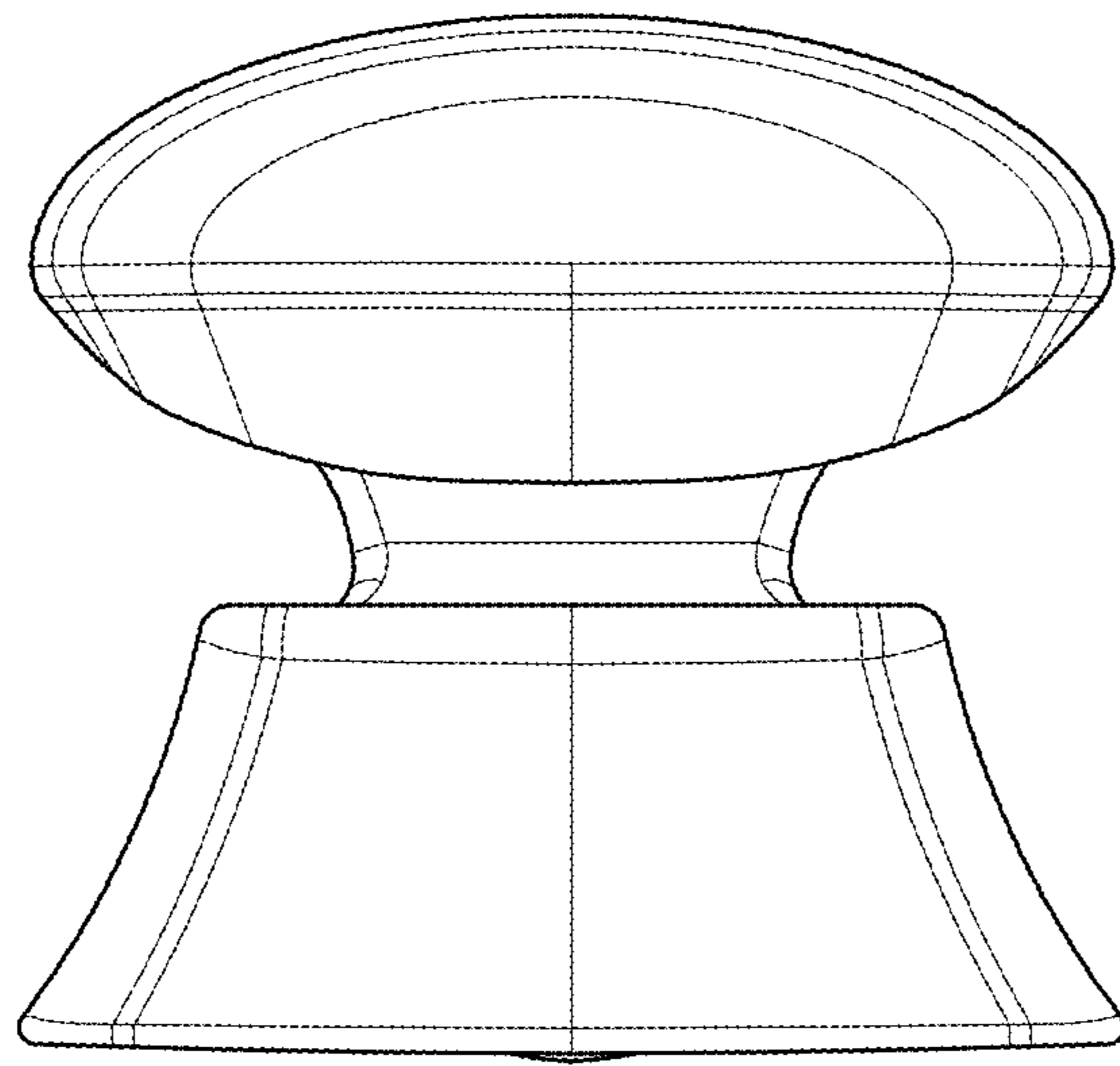


FIG. 8