



US00D946823S

(12) **United States Design Patent**
Fornarelli

(10) **Patent No.:** **US D946,823 S**

(45) **Date of Patent:** **** Mar. 22, 2022**

(54) **TWISTED MOUTHPIECE**

(71) Applicant: **14TH ROUND INC.**, Chicago, IL (US)

(72) Inventor: **Thomas Fornarelli**, Chicago, IL (US)

(73) Assignee: **14TH ROUND INC.**, Los Angeles, CA (US)

(**) Term: **15 Years**

(21) Appl. No.: **29/687,595**

(22) Filed: **Apr. 14, 2019**

(51) **LOC (13) Cl.** **27-02**

(52) **U.S. Cl.**
USPC **D27/167**

(58) **Field of Classification Search**

USPC D27/100, 101, 139, 141, 148, 157,
D27/161-171, 183, 185-194; D13/108,
D13/144, 103, 119, 146, 168, 218;
D23/360, 364-366; D24/110, 110.5, 129,
D24/113, 112; D19/925-929, 161-166,
D19/173, 66, 115, 123, 177, 923,
D19/194-196; D28/85, 4, 7, 88, 73-76;
D3/201, 11, 13, 17, 273, 300, 202;
D14/411, 480.5, 480.1, 480.3, 483, 484.1,
D14/137, 250, 251, 480.7, 203.1, 203.3,
D14/203.7, 218, 254, 433-435, 435.1;
D9/686, 529; D8/107; D10/119.1, 119.3,
D10/119.2, 57; D17/13
CPC A24F 40/00; A24F 40/40; A24F 40/42;
A24F 40/05; A24F 40/46; A24F 47/002;
A24F 47/008; A24D 1/14; A24D 1/042;
A24D 1/02; G06F 3/03545; A61M 15/06

See application file for complete search history.

(56) **References Cited**

U.S. PATENT DOCUMENTS

D117,276 S * 10/1939 Jung D28/89
D144,101 S * 3/1946 DeBotelho D28/85

D153,194 S * 3/1949 Wiedhopf D9/560
D376,035 S * 11/1996 Boucheron D28/91.1
D423,722 S * 4/2000 Lang D28/76
D548,095 S * 8/2007 McGuinness D9/435
D599,672 S * 9/2009 Carlson D9/542
D711,238 S * 8/2014 Schlies D9/538
D729,440 S * 5/2015 Liu D27/101
D739,601 S * 9/2015 Bahbah D27/170
RE45,715 E * 10/2015 Krueger D30/127
D757,353 S * 5/2016 Nunnelly D27/101
D846,197 S * 4/2019 Apodaca D28/85
D855,055 S * 7/2019 Chou D14/433
D868,588 S * 12/2019 Walbroel D9/552

(Continued)

Primary Examiner — Dana K Weiland

Assistant Examiner — Mary Claire Ramirez

(74) *Attorney, Agent, or Firm* — Flener IP & Business
Law; Zareefa B. Flener; Ayhan E. Mertogul

(57) **CLAIM**

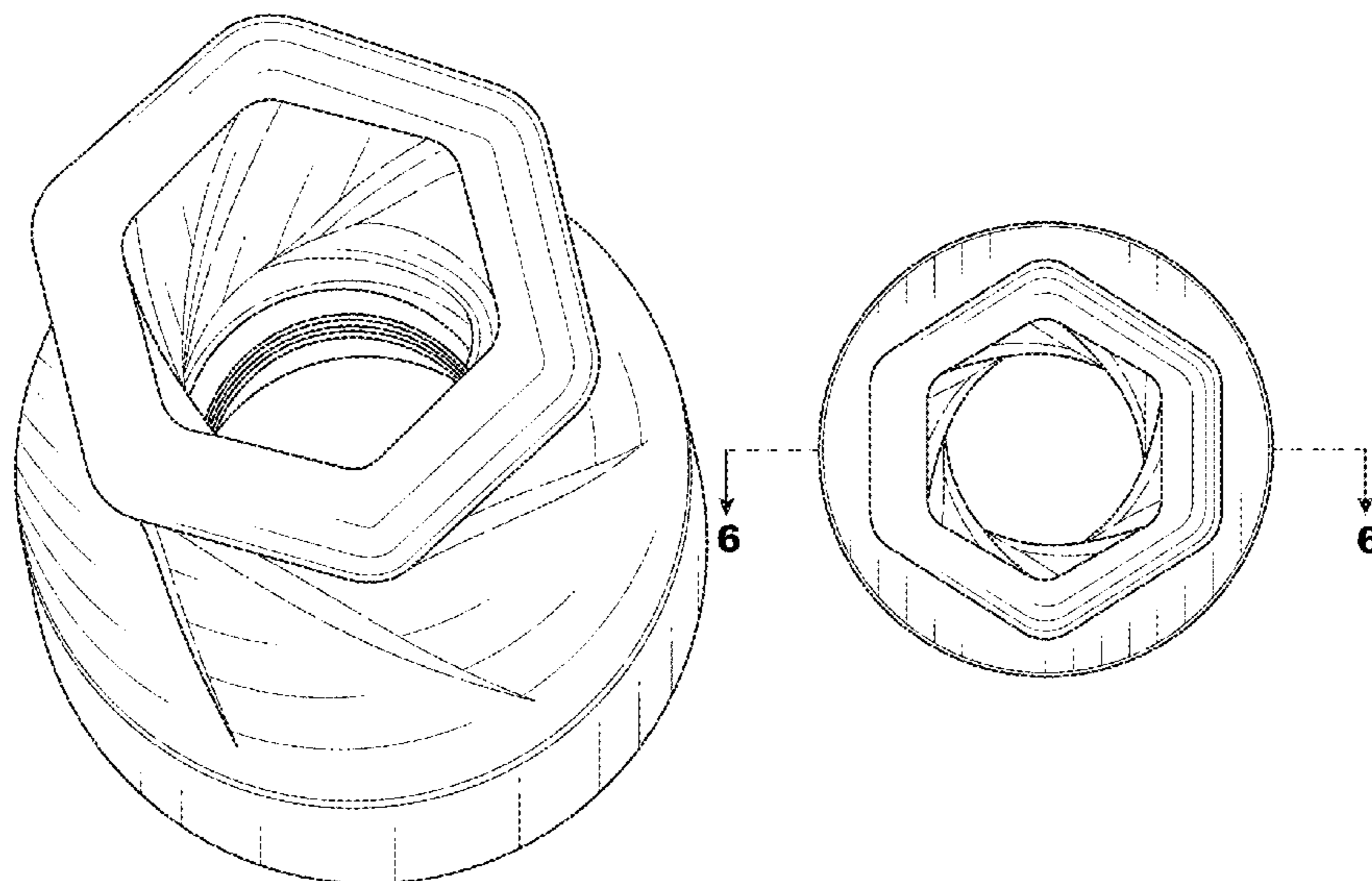
The ornamental design for a twisted mouthpiece, as shown and described.

DESCRIPTION

FIG. 1 is a front perspective view of a twisted mouthpiece showing my new design in a first embodiment;
FIG. 2 is a left side (and identical right side, top, and bottom) view of the design of FIG. 1;
FIG. 3 is a front view of the design of FIG. 1;
FIG. 4 is a rear view of the design of FIG. 1;
FIG. 5 is a rear view of a second embodiment of the mouthpiece of FIG. 1, the only difference being the broken line ring feature, it being understood that all other surfaces are the same as those of the first embodiment; and,
FIG. 6 is a cross-sectional view of the design of FIG. 1 taken in the direction of 6-6 of FIG. 3.

The broken lines in the drawings depict portions of the twisted mouthpiece that form no part of the claim.

1 Claim, 3 Drawing Sheets



(56)

References Cited

U.S. PATENT DOCUMENTS

D869,647	S	*	12/2019	Dorsey	D24/112
D869,754	S	*	12/2019	Weinberg	D27/170
D883,576	S	*	5/2020	Lin	D28/89
D886,390	S	*	6/2020	Combs	D30/127
D919,173	S	*	5/2021	Li	D27/162
D930,237	S	*	9/2021	Fornarelli	D27/167
2015/0090253	A1	*	4/2015	Farrow	A61M 15/06 128/200.14
2016/0000145	A1	*	1/2016	Liu	A24F 40/60 131/329
2017/0347706	A1	*	12/2017	Aoun	H05B 3/44
2018/0352861	A1	*	12/2018	Qiu	A24F 7/02
2019/0150513	A1	*	5/2019	Servutas	A24F 40/49
2020/0015516	A1	*	1/2020	Simpson	A24D 3/061
2020/0154765	A1	*	5/2020	Lee	A24F 40/20
2020/0154768	A1	*	5/2020	Han	A24F 40/46
2020/0170298	A1	*	6/2020	Lee	A24F 40/40

* cited by examiner

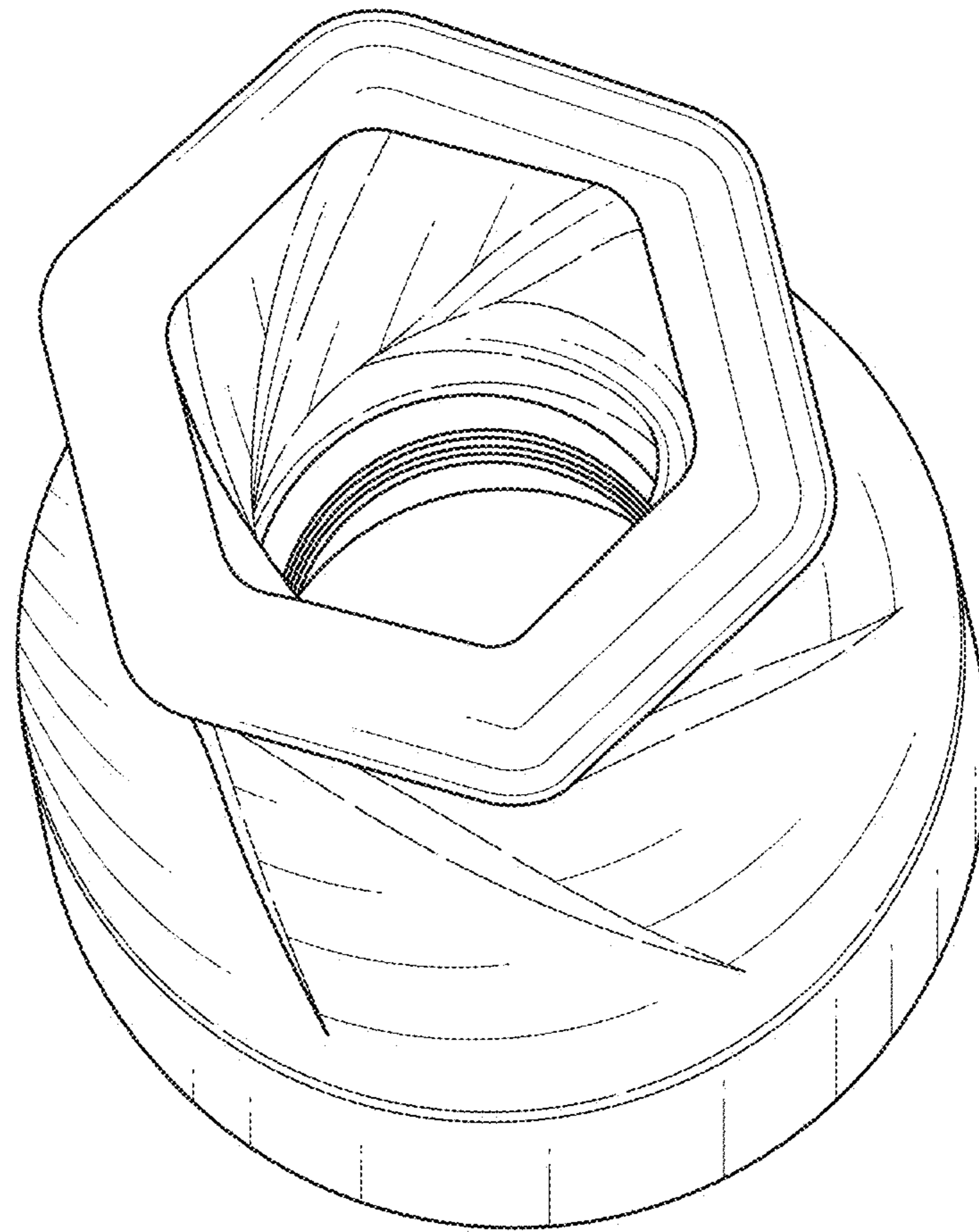


FIG. 1

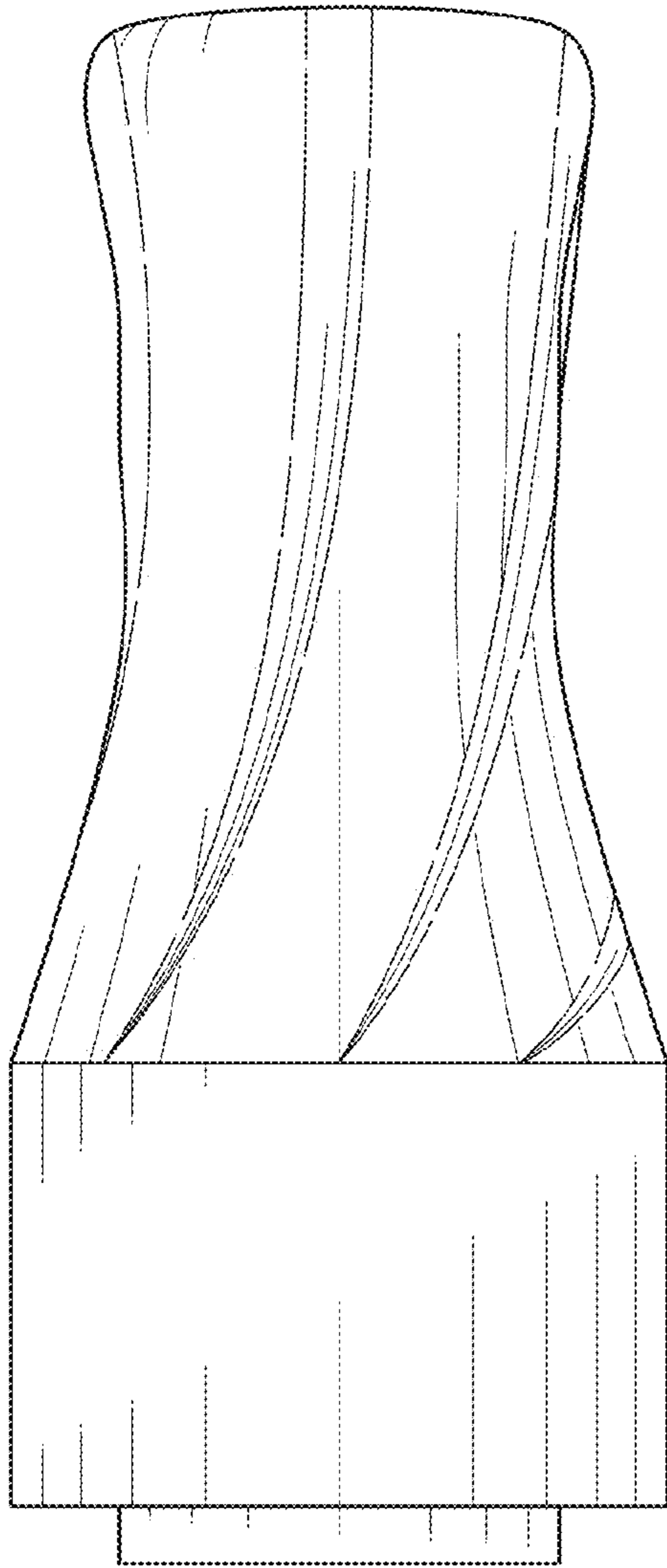


FIG. 2

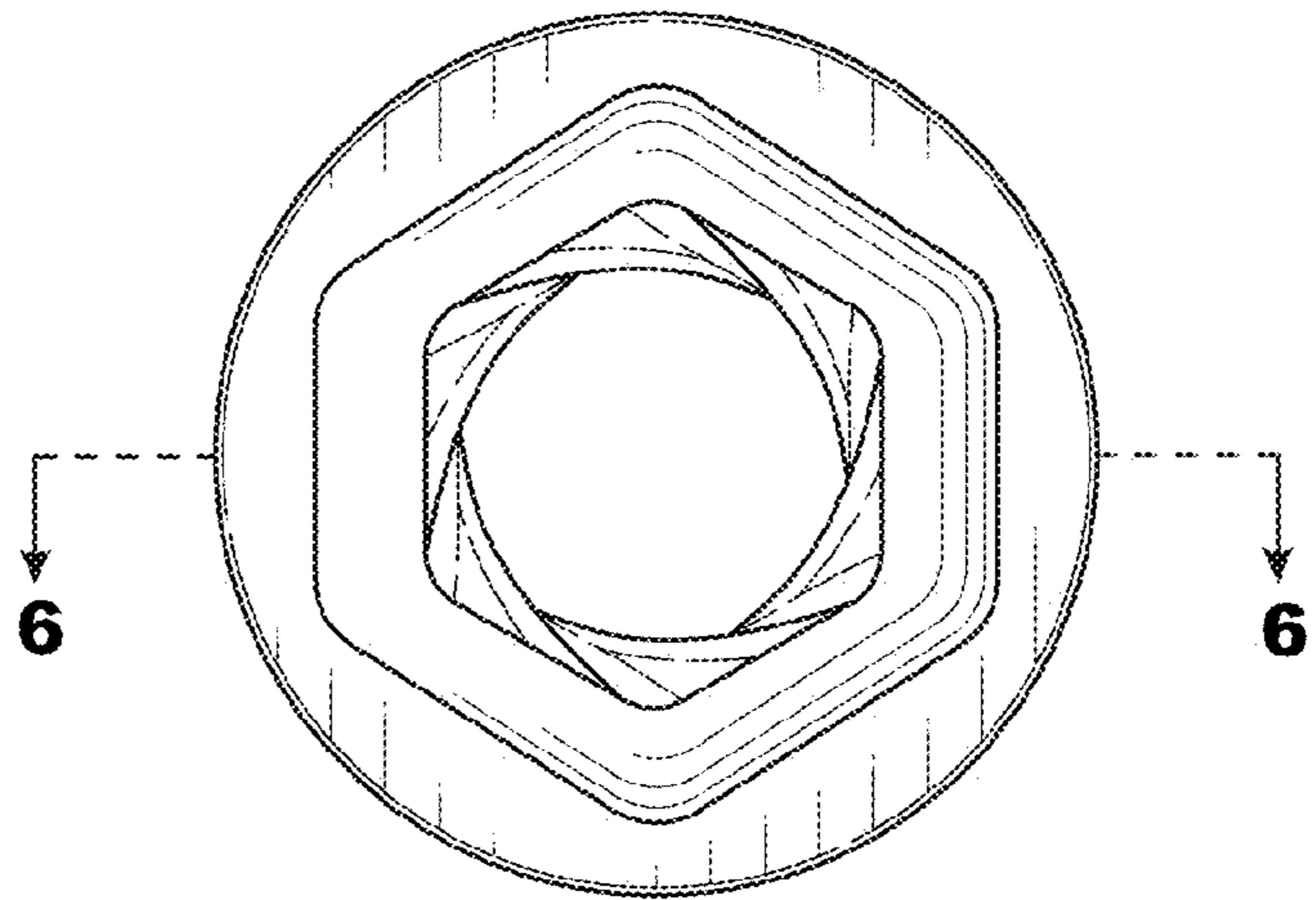


FIG. 3

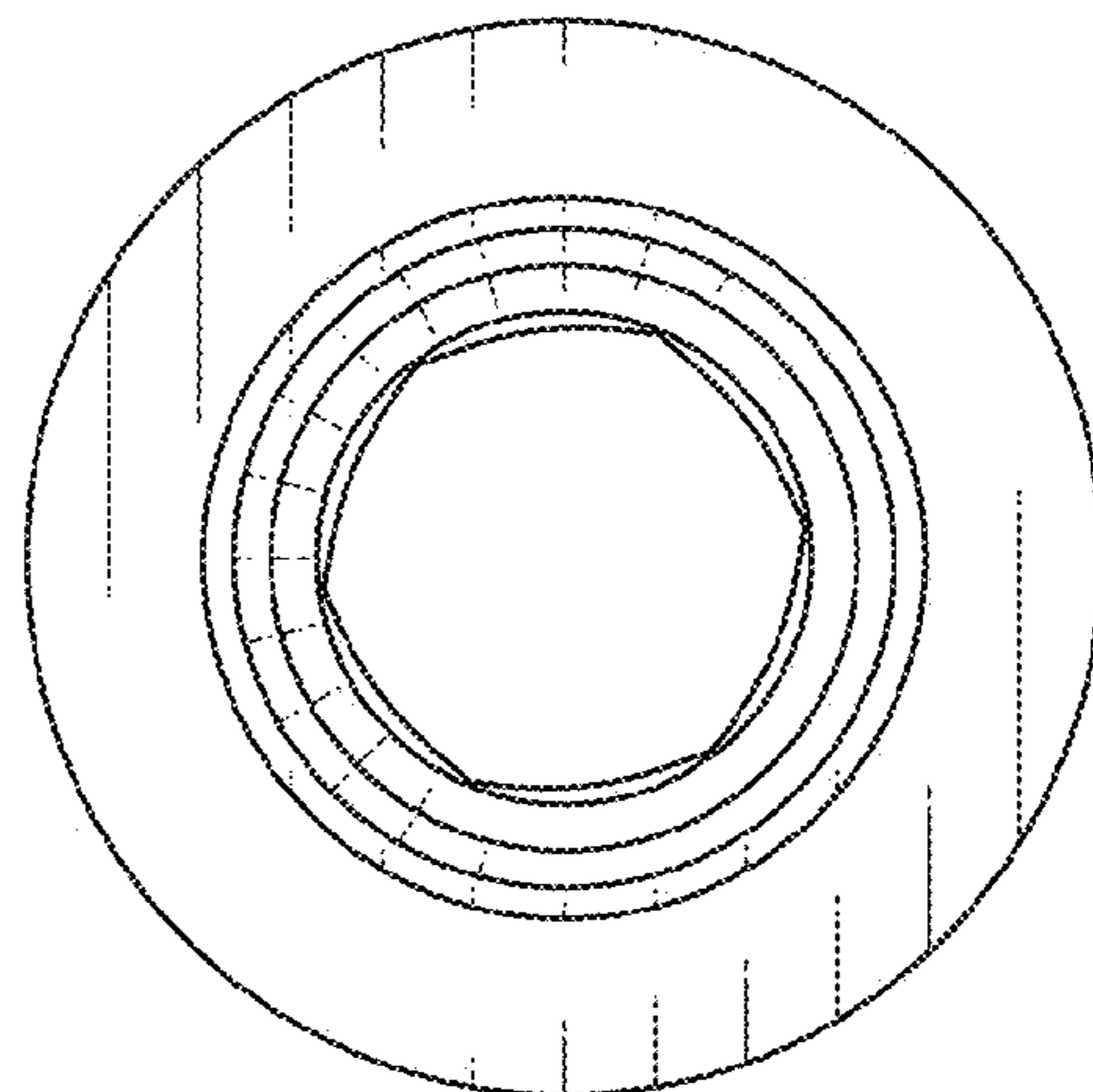


FIG. 4

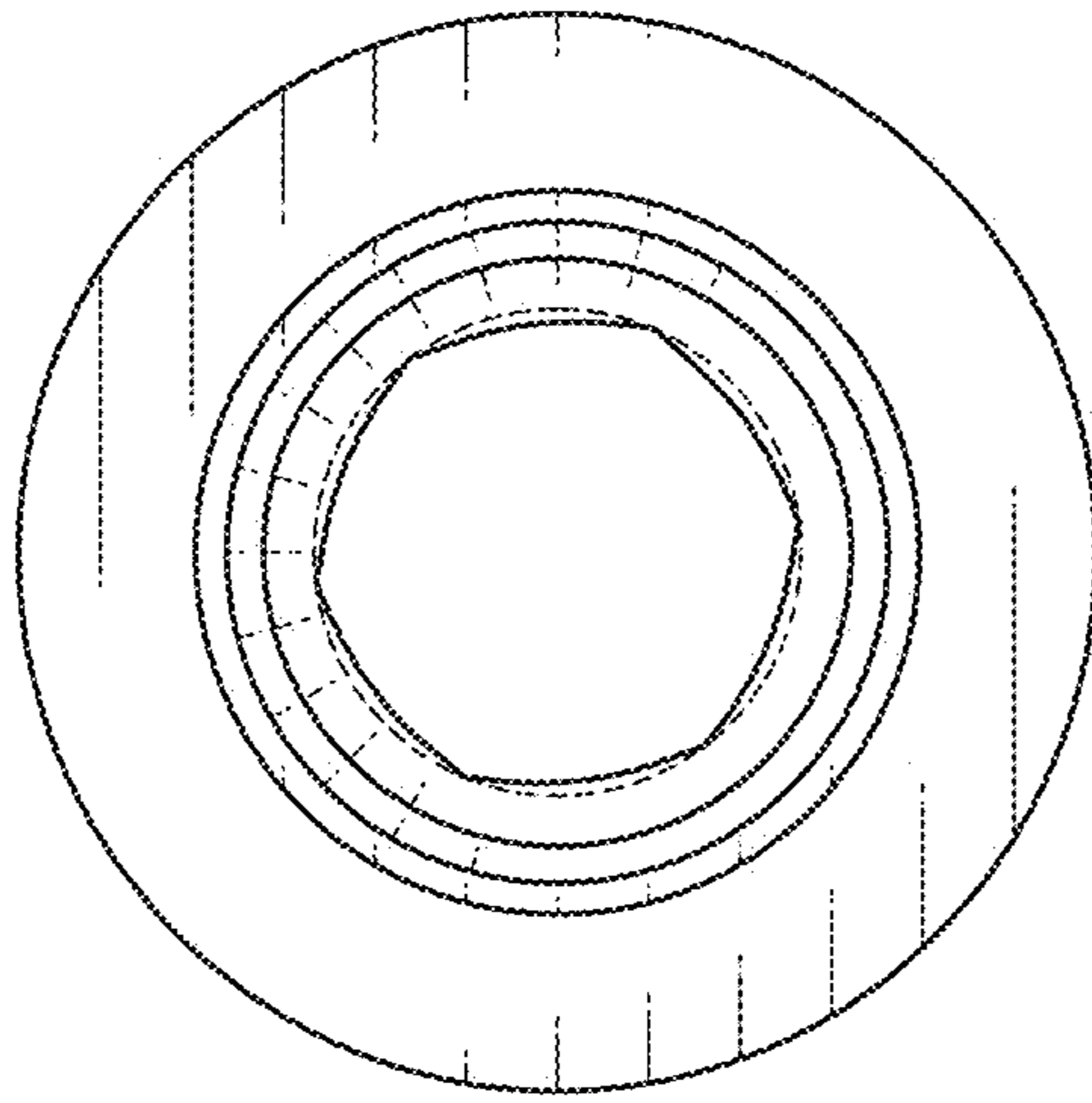


FIG. 5

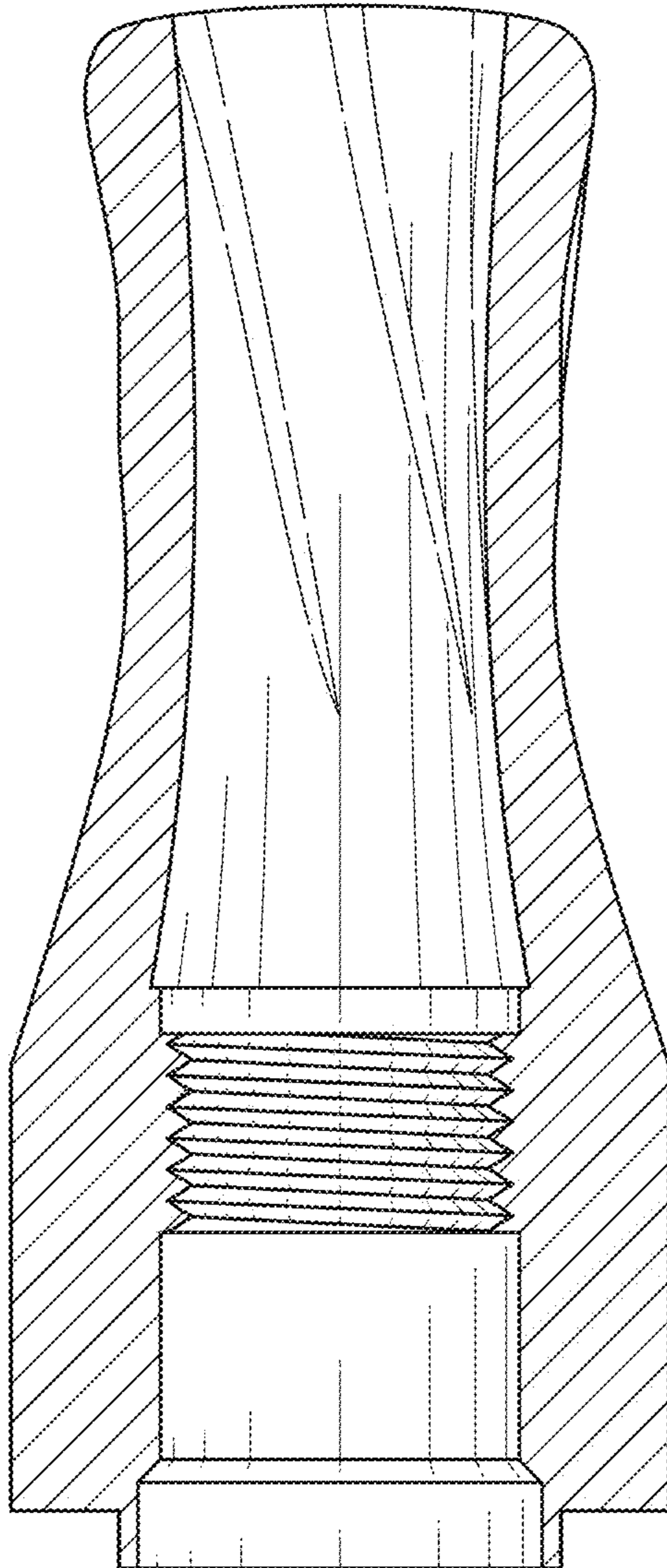


FIG. 6