

US00D946819S

(12) **United States Design Patent**
Naddour

(10) **Patent No.:** **US D946,819 S**
(45) **Date of Patent:** **** Mar. 22, 2022**

- (54) **HOOKAH HOSE ASSEMBLY**
- (71) Applicant: **John Naddour**, Tustin, CA (US)
- (72) Inventor: **John Naddour**, Tustin, CA (US)
- (**) Term: **15 Years**
- (21) Appl. No.: **29/681,483**
- (22) Filed: **Feb. 26, 2019**
- (51) **LOC (13) Cl.** **27-02**
- (52) **U.S. Cl.**
USPC **D27/162**
- (58) **Field of Classification Search**
USPC D27/162, 164, 165, 166, 167, 169, 194;
D23/360-363; 131/225, 227, 330, 173,
131/191, 192, 200, 329; 138/89
CPC A24F 1/30; A24F 1/02; A24F 1/00; A24F
47/008; A24F 47/002; A61M 11/00
See application file for complete search history.

(56) **References Cited**

U.S. PATENT DOCUMENTS

D413,002 S *	8/1999	Melograno	D27/167
D554,797 S *	11/2007	Kassir	D27/162
D561,388 S *	2/2008	Kassir	D27/162
D584,853 S *	1/2009	Kassir	D27/162
7,690,076 B2 *	4/2010	Tannous	A24F 1/30 15/319
8,312,621 B2 *	11/2012	Shahin	G10H 1/32 29/761
8,413,686 B2 *	4/2013	Ko	E03C 1/0404 137/801
D686,776 S *	7/2013	Mehio	D27/169
D808,072 S *	1/2018	Ren	D27/162
D857,844 S *	8/2019	Levi	D23/238
D863,506 S *	10/2019	Hayner	D23/238
D865,278 S *	10/2019	Chen	D27/167
D881,357 S *	4/2020	Krueger	D23/266
D890,309 S *	7/2020	Murray	D23/266

* cited by examiner

Primary Examiner — Marissa J Cash
Assistant Examiner — Rebecca Tsehaye
(74) *Attorney, Agent, or Firm* — Rutan & Tucker LLP;
Hani Z. Sayed

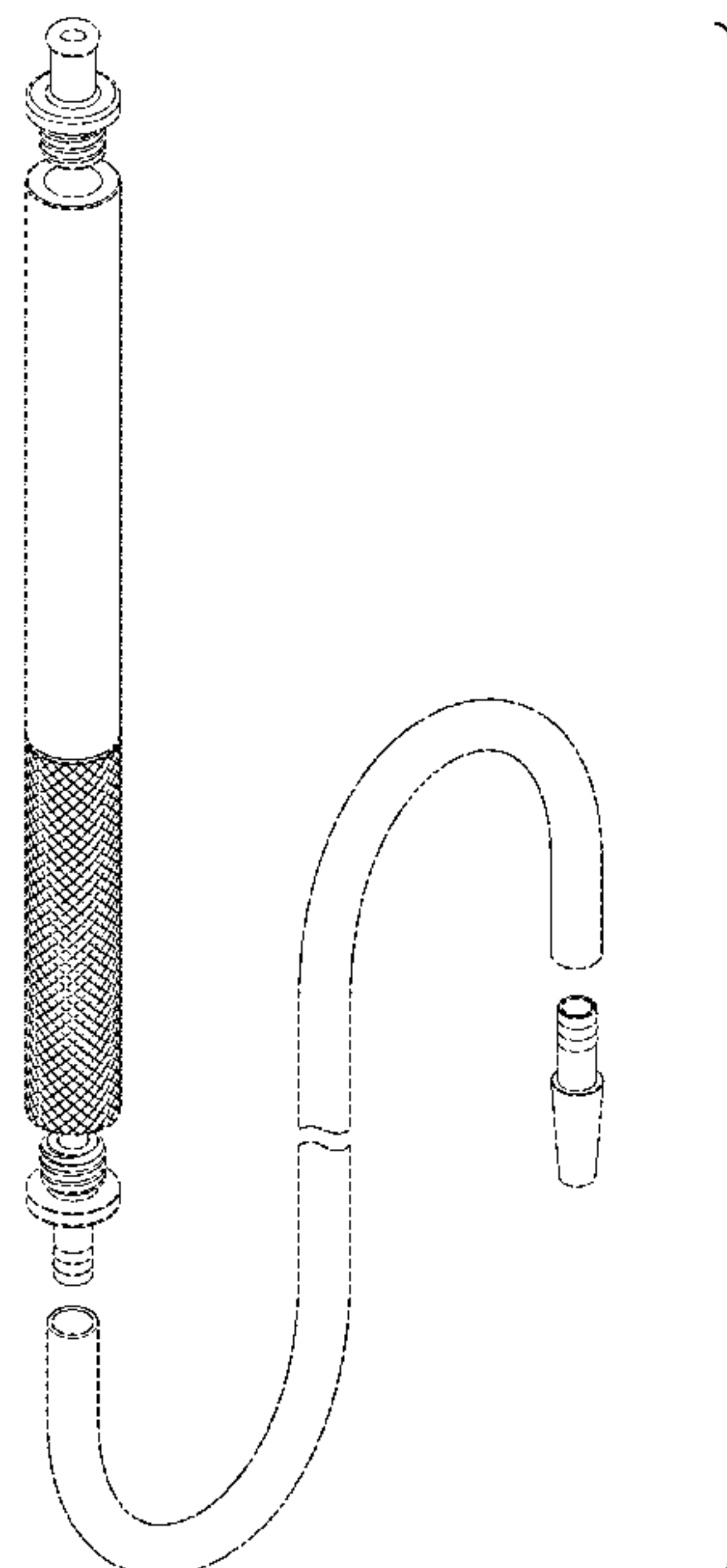
(57) **CLAIM**

The ornamental design for an hookah hose assembly, as shown and described.

DESCRIPTION

FIG. 1 is a top exploded view of a hookah assembly showing my new design;
 FIG. 2 is a Front elevation view of the hookah hose assembly with component shown removed from the set for clarity of the disclosure;
 FIG. 3 is a Rear elevation view of the hookah hose assembly with component shown removed from the set for clarity of the disclosure;
 FIG. 4 is a Top, front elevation view of the hookah hose assembly with component shown removed from the set for clarity of the disclosure;
 FIG. 5 is a Rear side elevation view of the hookah hose assembly with component shown removed from the set for clarity of the disclosure;
 FIG. 6 is a Top plan view of the hookah hose assembly with component shown removed from the set for clarity of the disclosure;
 FIG. 7 is a Rear plan view of the hookah hose assembly with component shown removed from the set for clarity of the disclosure; and,
 FIG. 8 is a front cross sectional elevation view thereof taken from cut lines of 8-8 of FIG. 1.
 The hookah hose assembly is shown with a symbolic break in its length. The appearance of any portion of the article between the break lines forms no part of the claimed design.

1 Claim, 3 Drawing Sheets



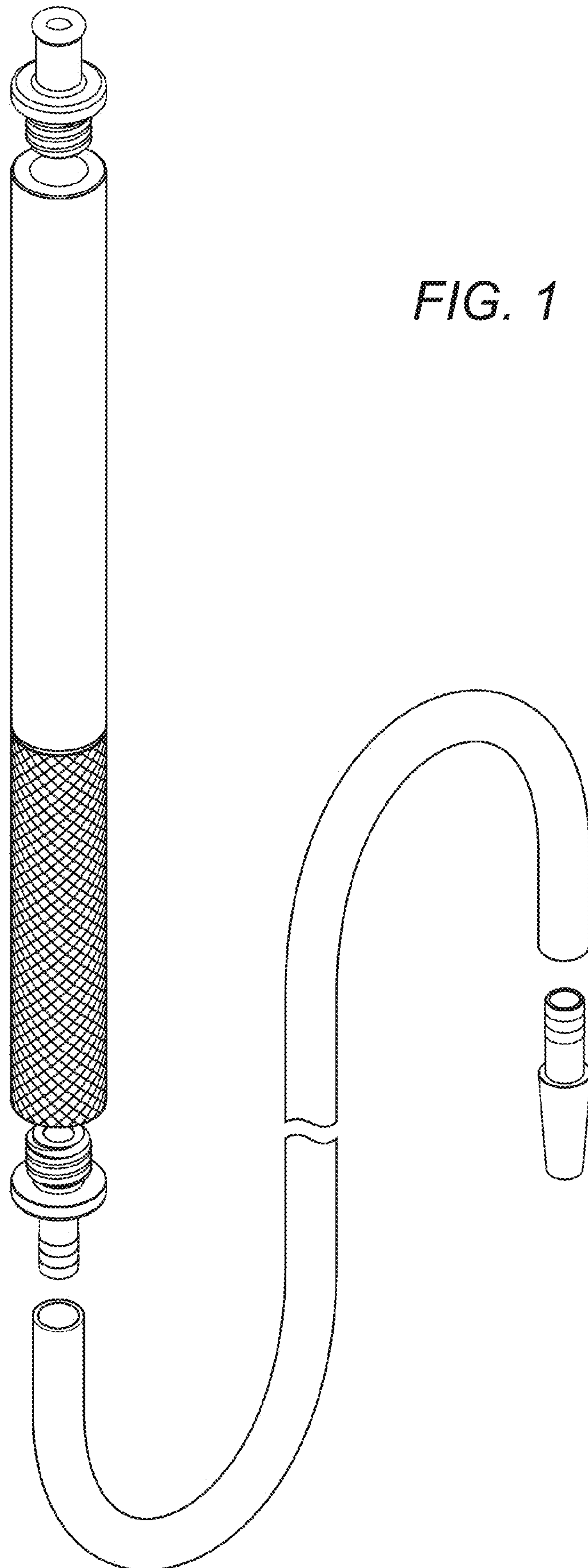


FIG. 1

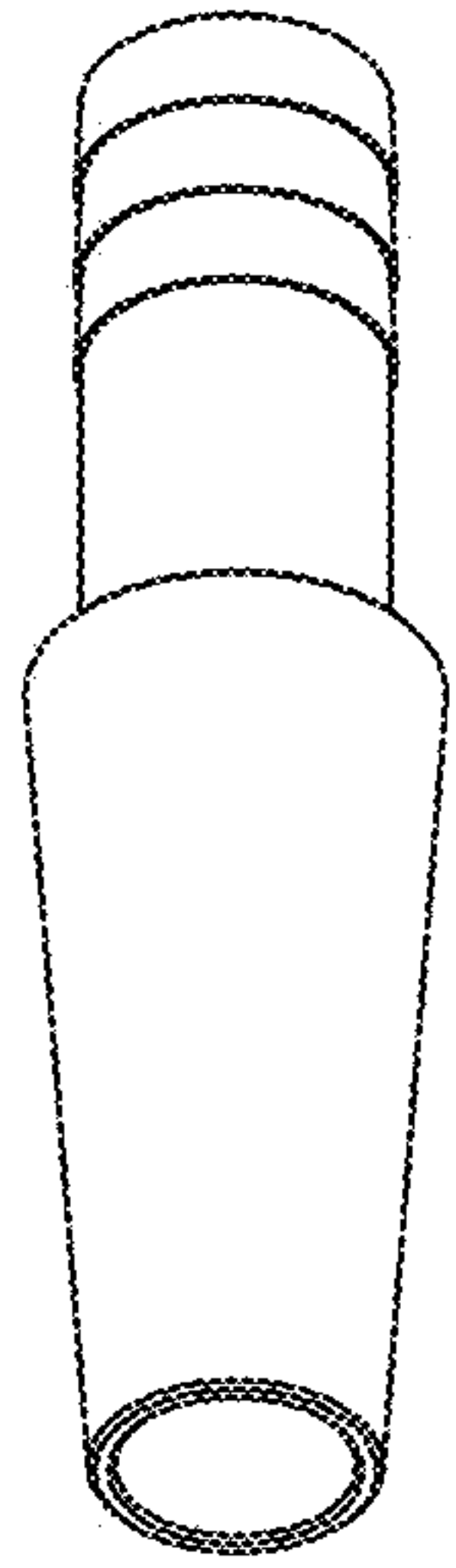


FIG. 2

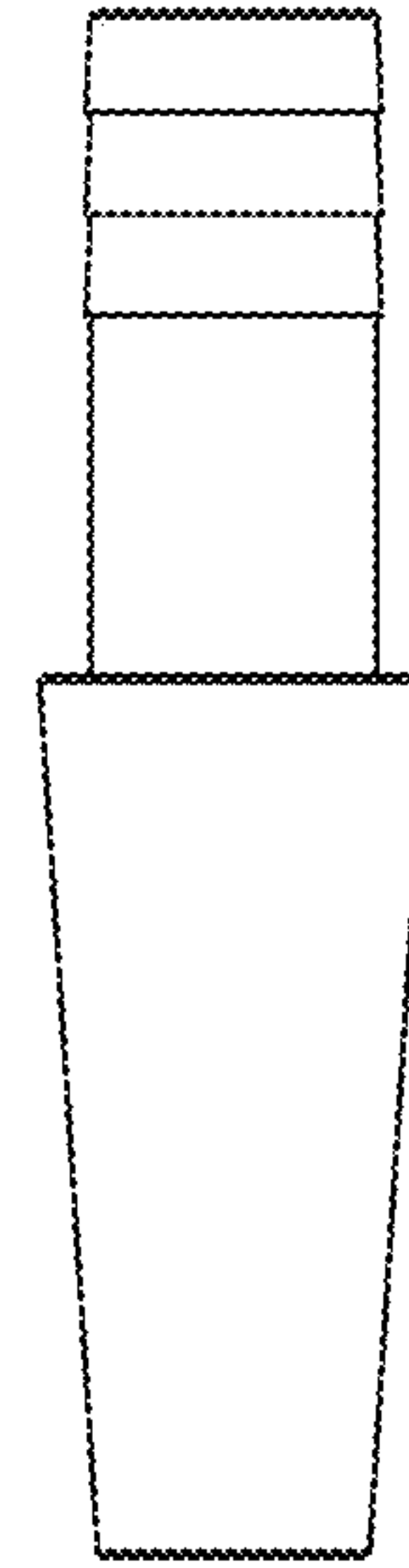


FIG. 3

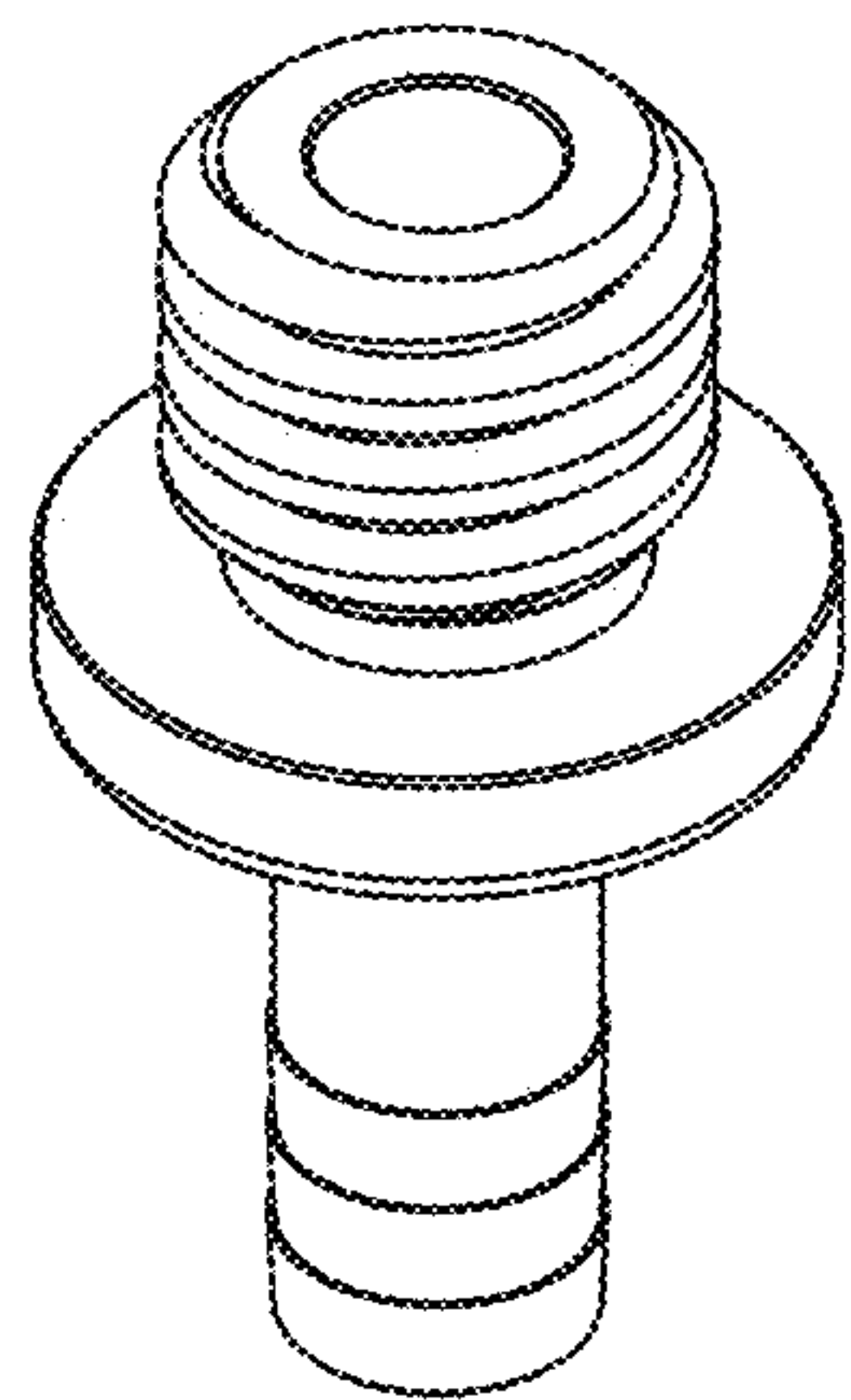


FIG. 4

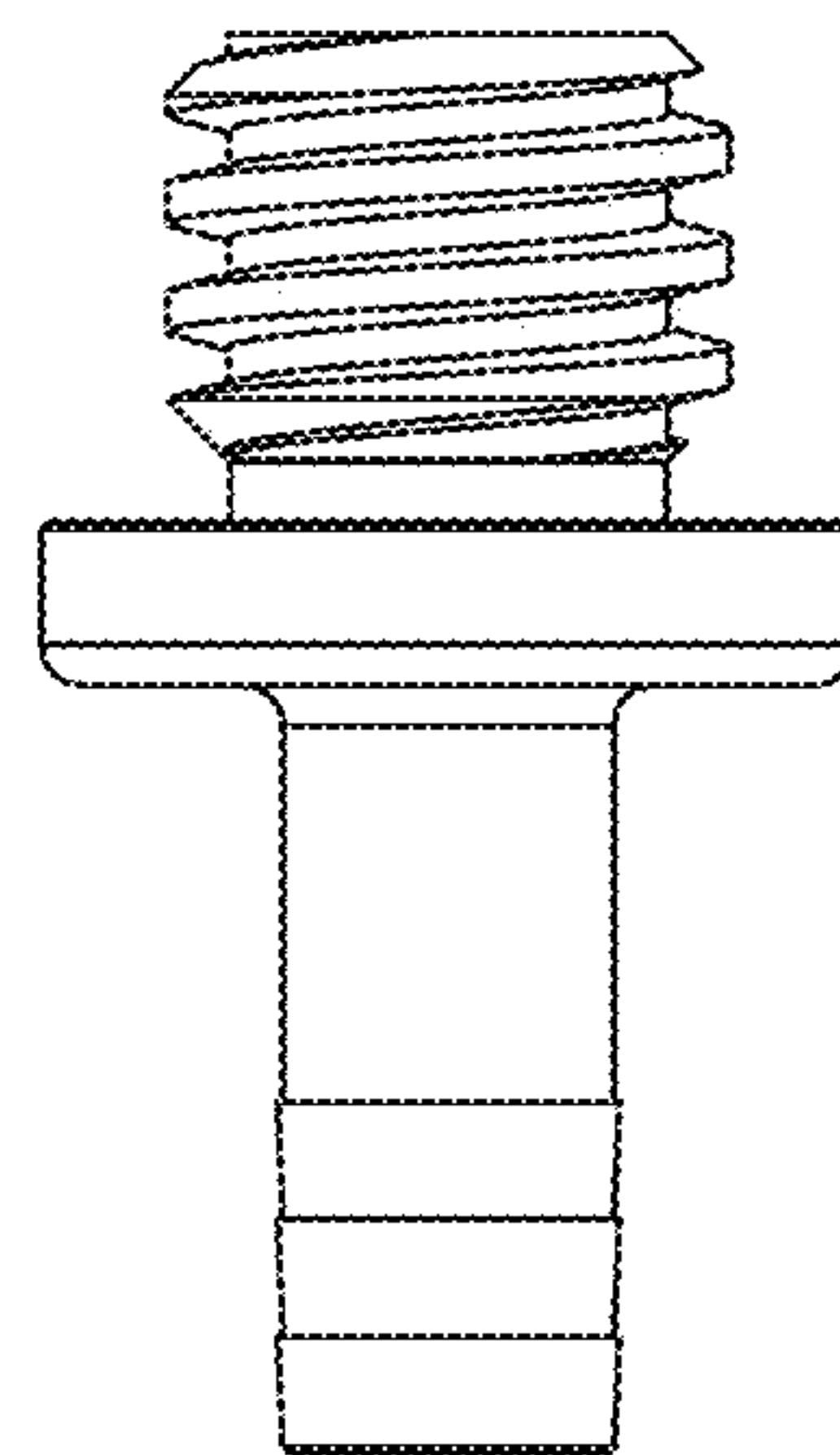


FIG. 5

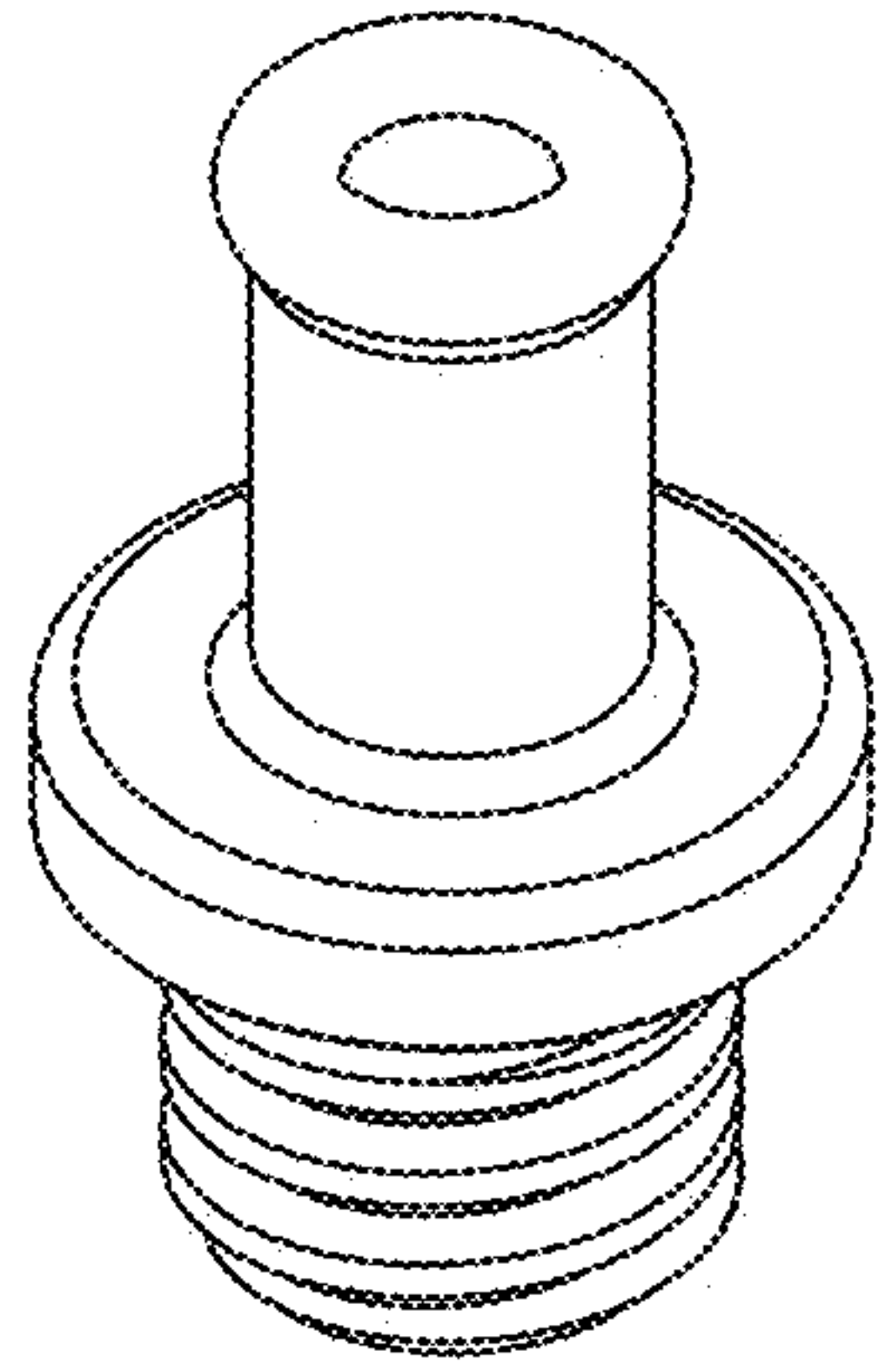


FIG. 6

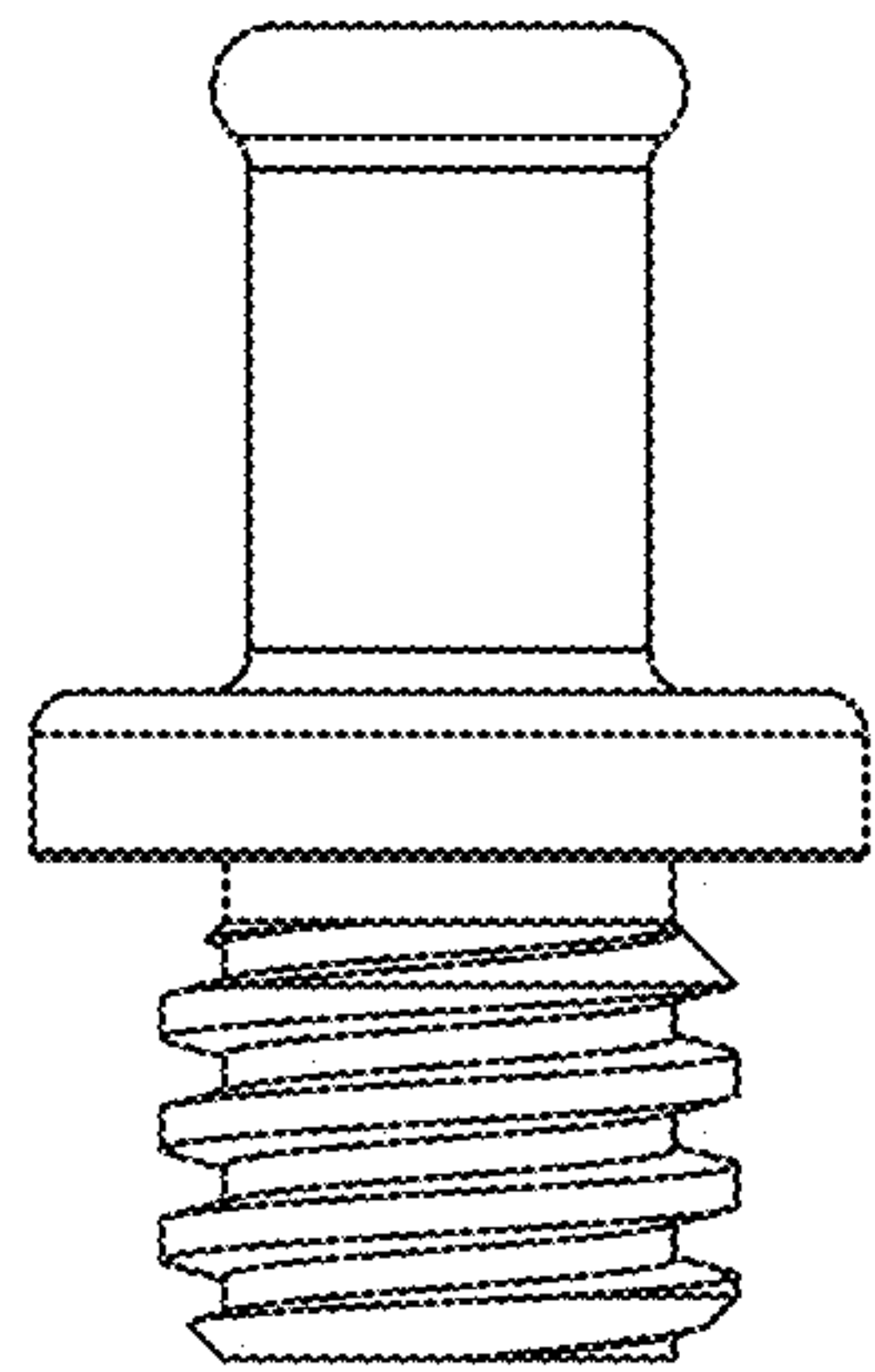


FIG. 7

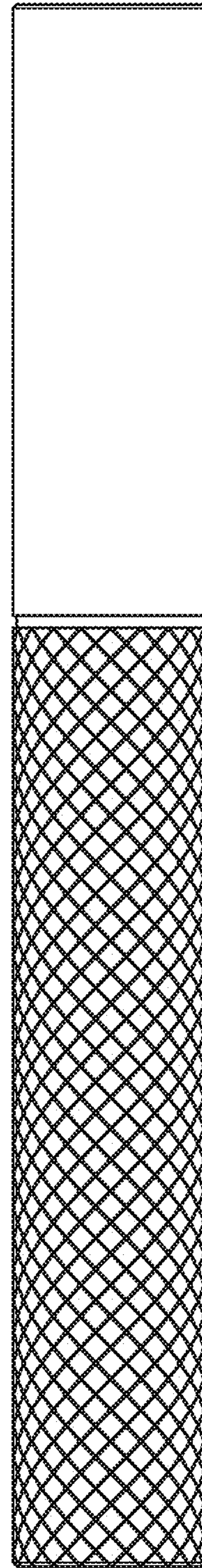


FIG. 8