



US00D946817S

(12) **United States Design Patent**
He

(10) **Patent No.:** **US D946,817 S**

(45) **Date of Patent:** **** Mar. 22, 2022**

(54) **PLANT GROW LIGHT**

(71) Applicant: **SUNNYPOWER NEW ENERGY CO., LTD.**, Shenzhen (CN)

(72) Inventor: **Lijie He**, Shenzhen (CN)

(73) Assignee: **SUNNYPOWER NEW ENERGY CO., LTD.**, Shenzhen (CN)

(**) Term: **15 Years**

(21) Appl. No.: **29/772,250**

(22) Filed: **Mar. 1, 2021**

(51) **LOC (13) Cl.** **26-05**

(52) **U.S. Cl.**
USPC **D26/138**

(58) **Field of Classification Search**
USPC D26/60, 63, 72, 74, 76, 78-83, 85, 86,
D26/88, 90, 93, 111, 113, 118, 119, 120,
D26/121, 122, 138, 139, 140, 141, 142,
D26/152

CPC F21S 2/00; F21S 4/00; F21S 4/003; F21S
4/005; F21S 4/006; F21S 4/007; F21S
4/008; F21S 6/00; F21S 8/00; F21S
8/024; F21S 8/026; F21S 8/031; F21S
8/033; F21S 8/035-037; F21S 8/04; F21S
8/043; F21S 8/063

See application file for complete search history.

(56) **References Cited**

U.S. PATENT DOCUMENTS

D576,344 S * 9/2008 Conroy D26/138
D576,762 S * 9/2008 Conroy D26/138

D581,586 S * 11/2008 Conroy D26/138
D603,543 S * 11/2009 Huang D26/63
D762,904 S * 8/2016 Schmitt
D822,877 S * 7/2018 Kaiser D26/107
D844,206 S * 3/2019 Richardson D26/60
D850,708 S * 6/2019 Mullen D26/138
D890,982 S * 7/2020 Vartan F21V 21/06
D26/138
D901,064 S * 11/2020 Hodgson D26/102
D903,174 S * 11/2020 Chen D26/60
D921,278 S * 6/2021 Tang D26/106
D925,800 S * 7/2021 He D26/60

* cited by examiner

Primary Examiner — Natasha Vujcic

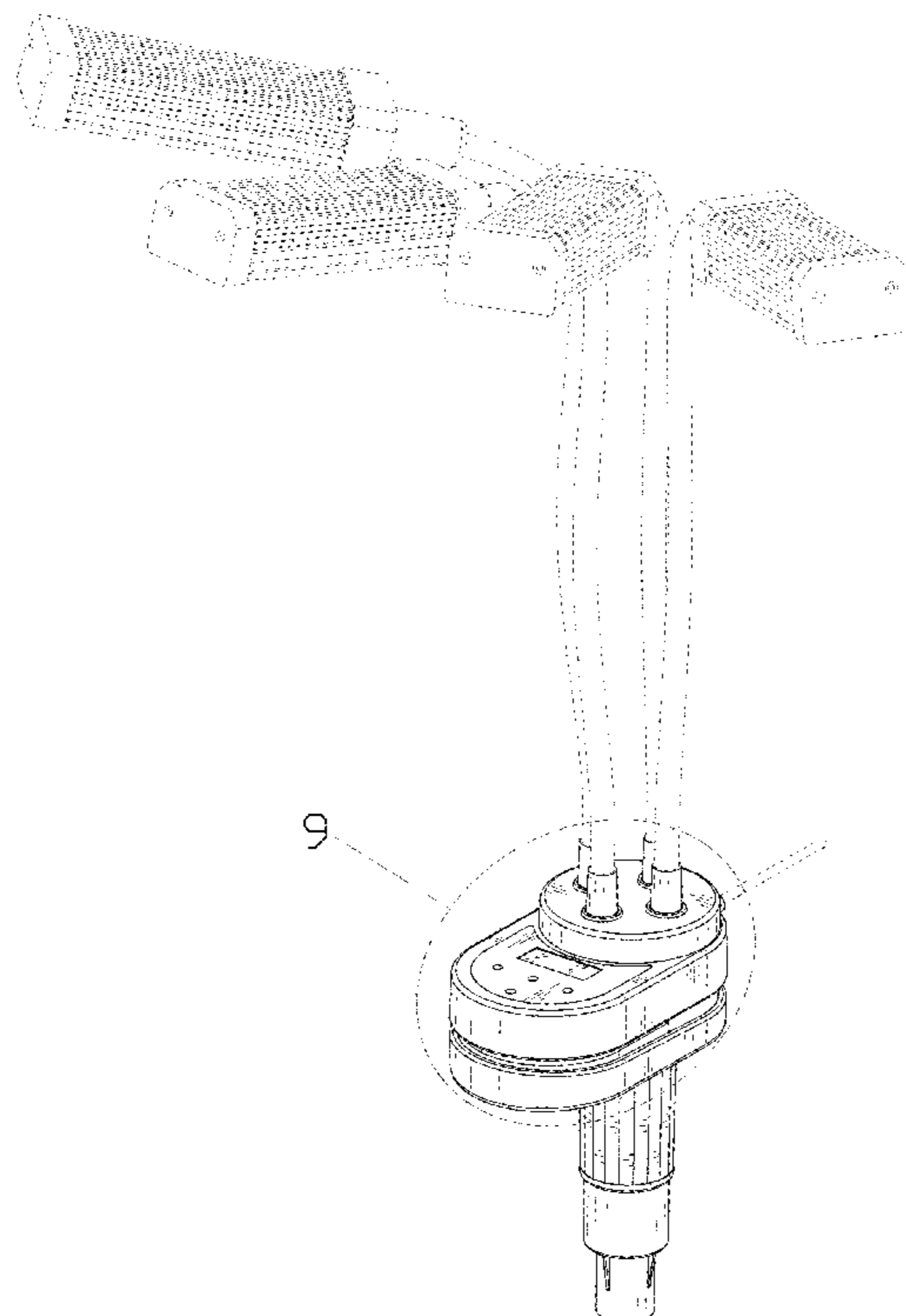
(57) **CLAIM**

The ornamental design for a plant grow light, as shown and described.

DESCRIPTION

FIG. 1 is a perspective view of a plant grow light showing my new design;
FIG. 2 is another perspective view thereof;
FIG. 3 is a front elevational view thereof;
FIG. 4 is a rear elevational view thereof;
FIG. 5 is a left side elevational view thereof;
FIG. 6 is a right side elevational view thereof;
FIG. 7 is a top plan view thereof;
FIG. 8 is a bottom plan view thereof; and,
FIG. 9 is an enlarged view of portion 9 shown in FIG. 1.
The broken lines in the drawings depict portions of the plant grow light that form no part of the claimed design.

1 Claim, 9 Drawing Sheets



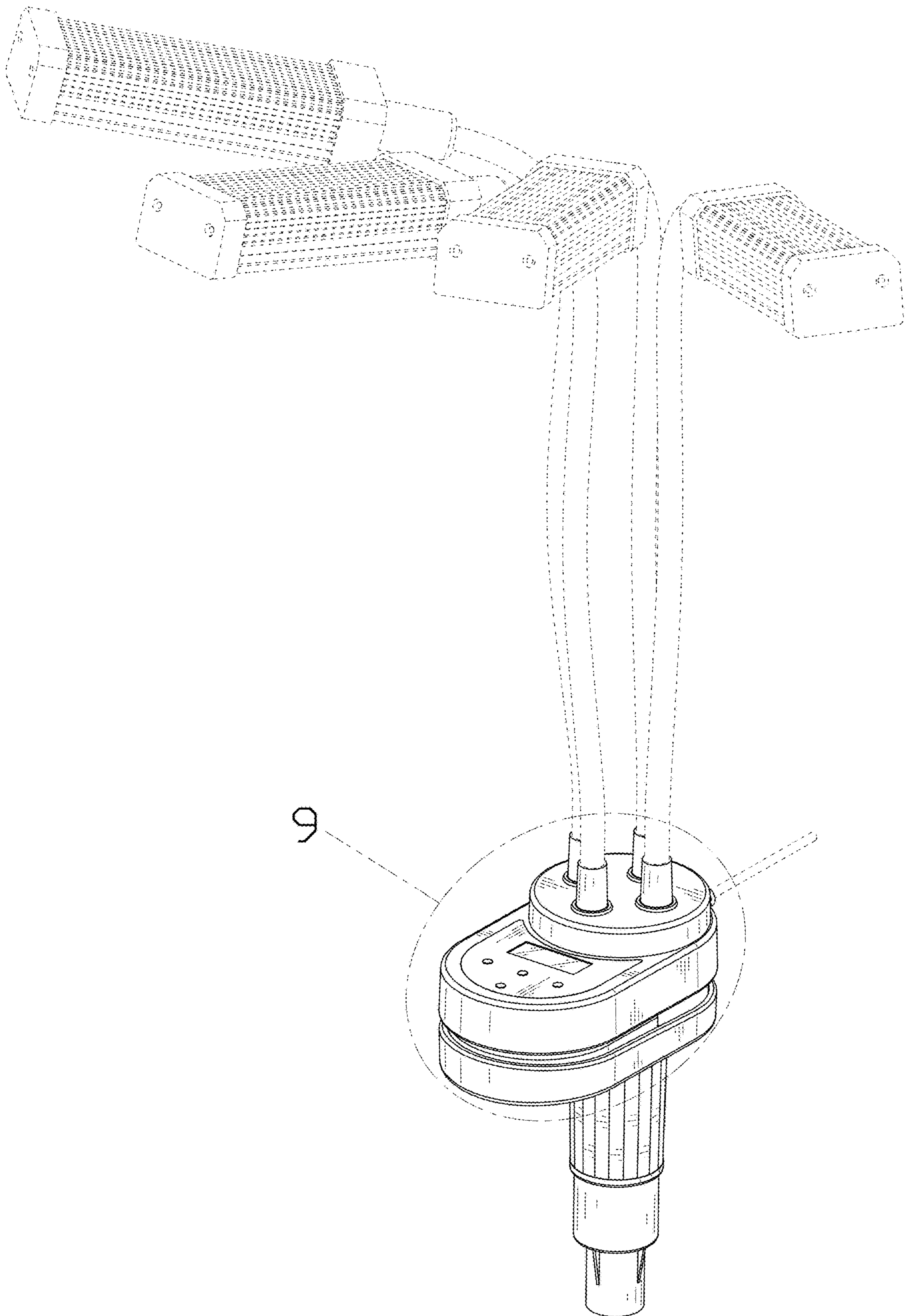


FIG. 1

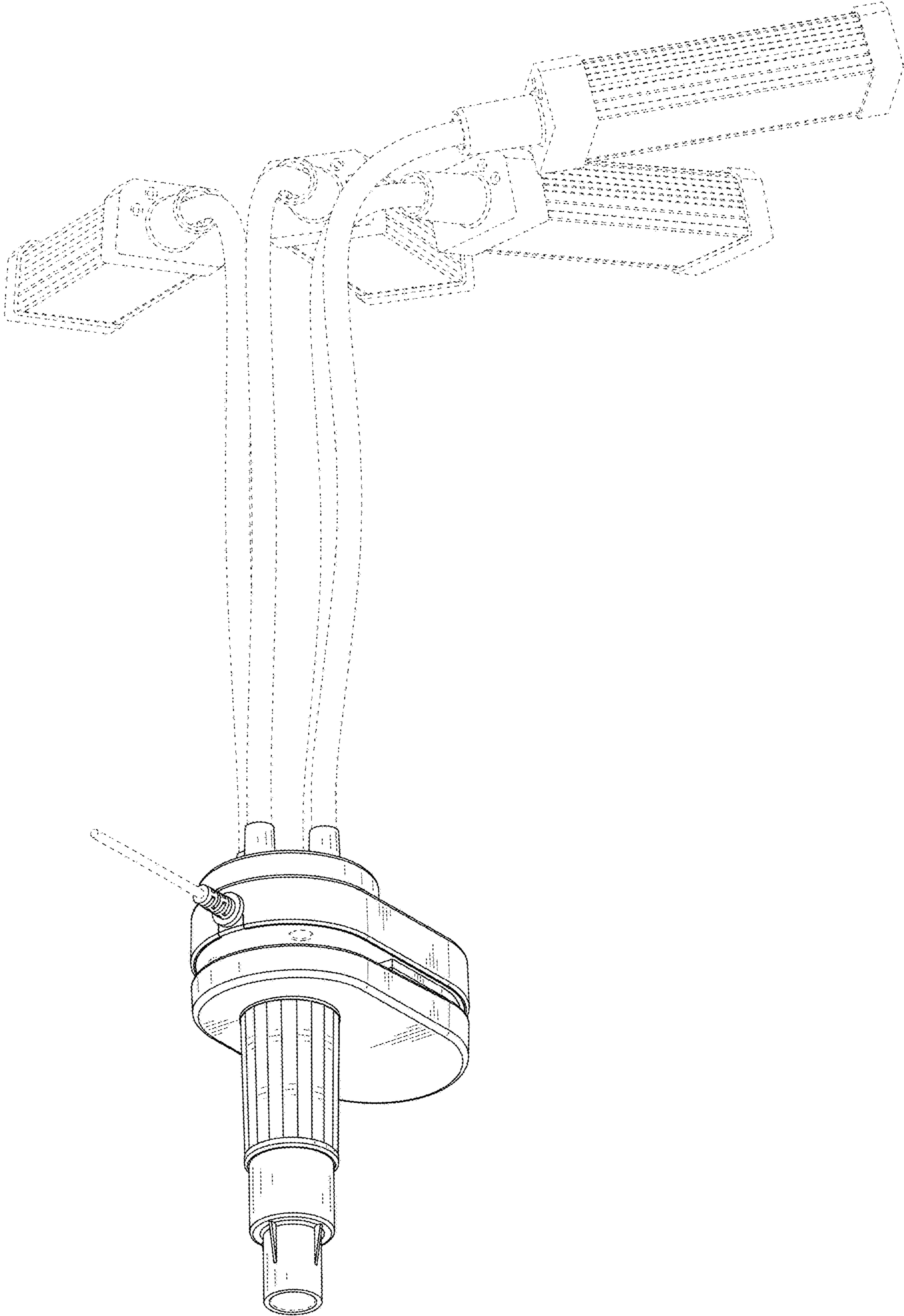


FIG. 2

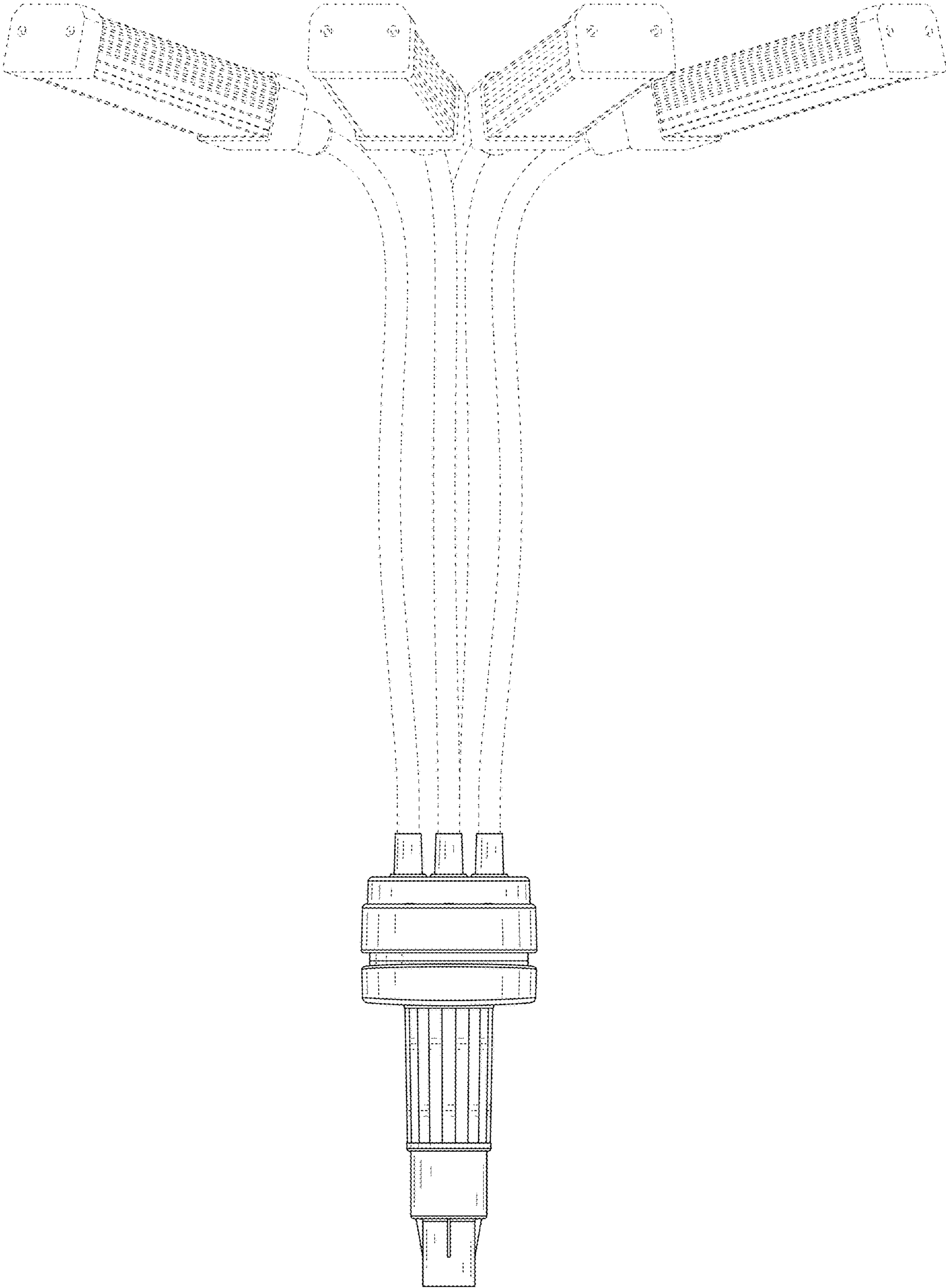


FIG. 3

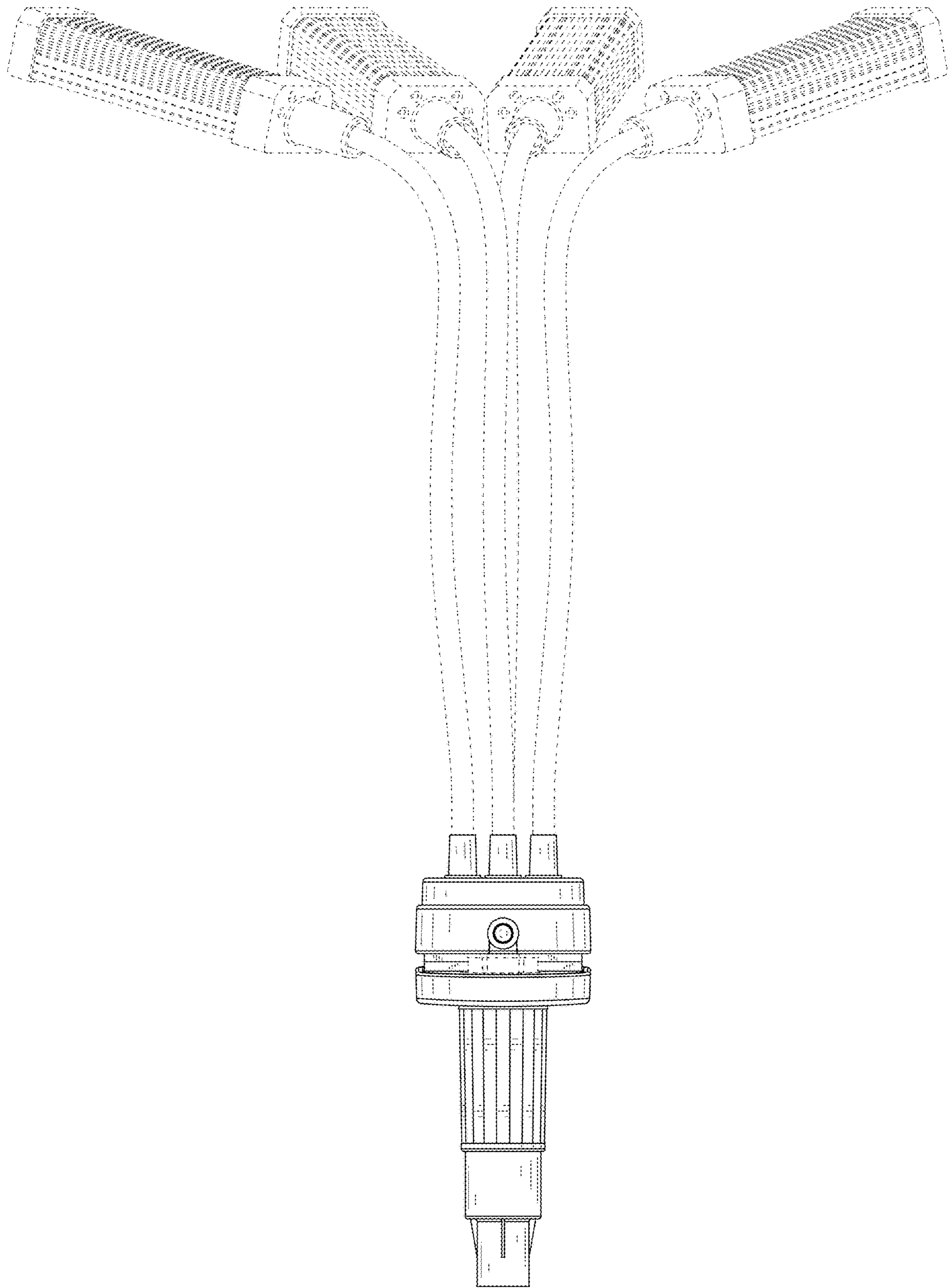


FIG. 4

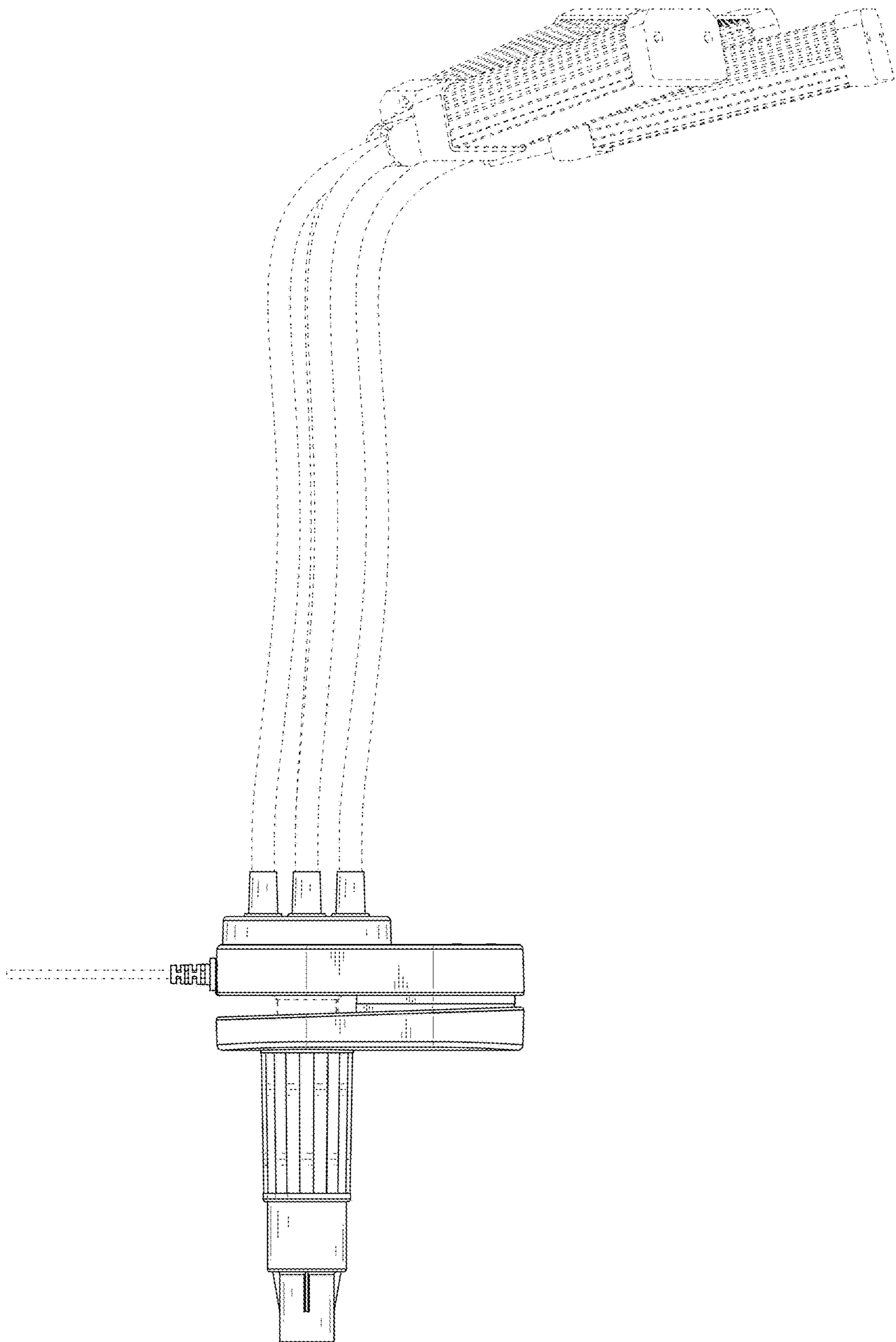


FIG. 5

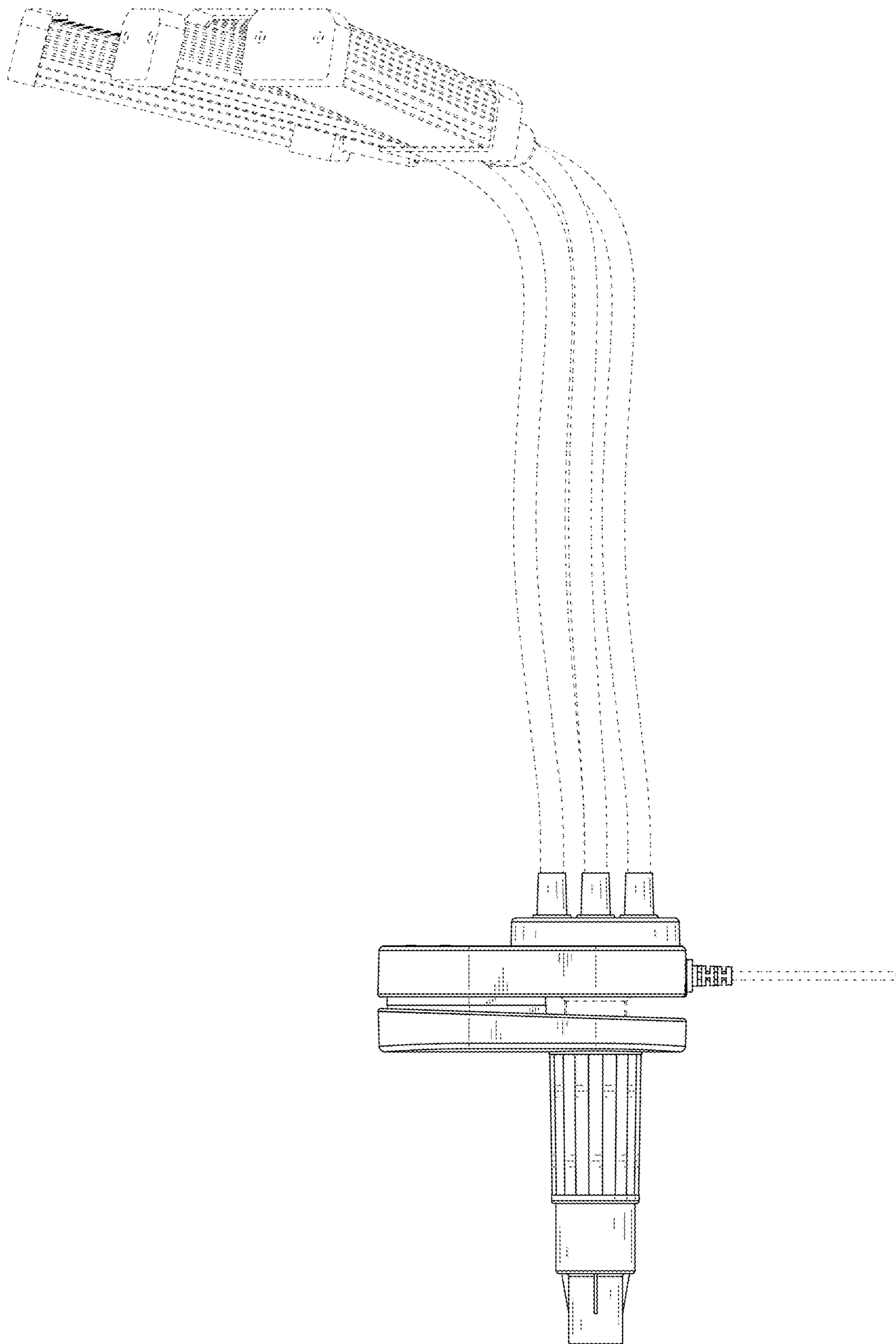


FIG. 6

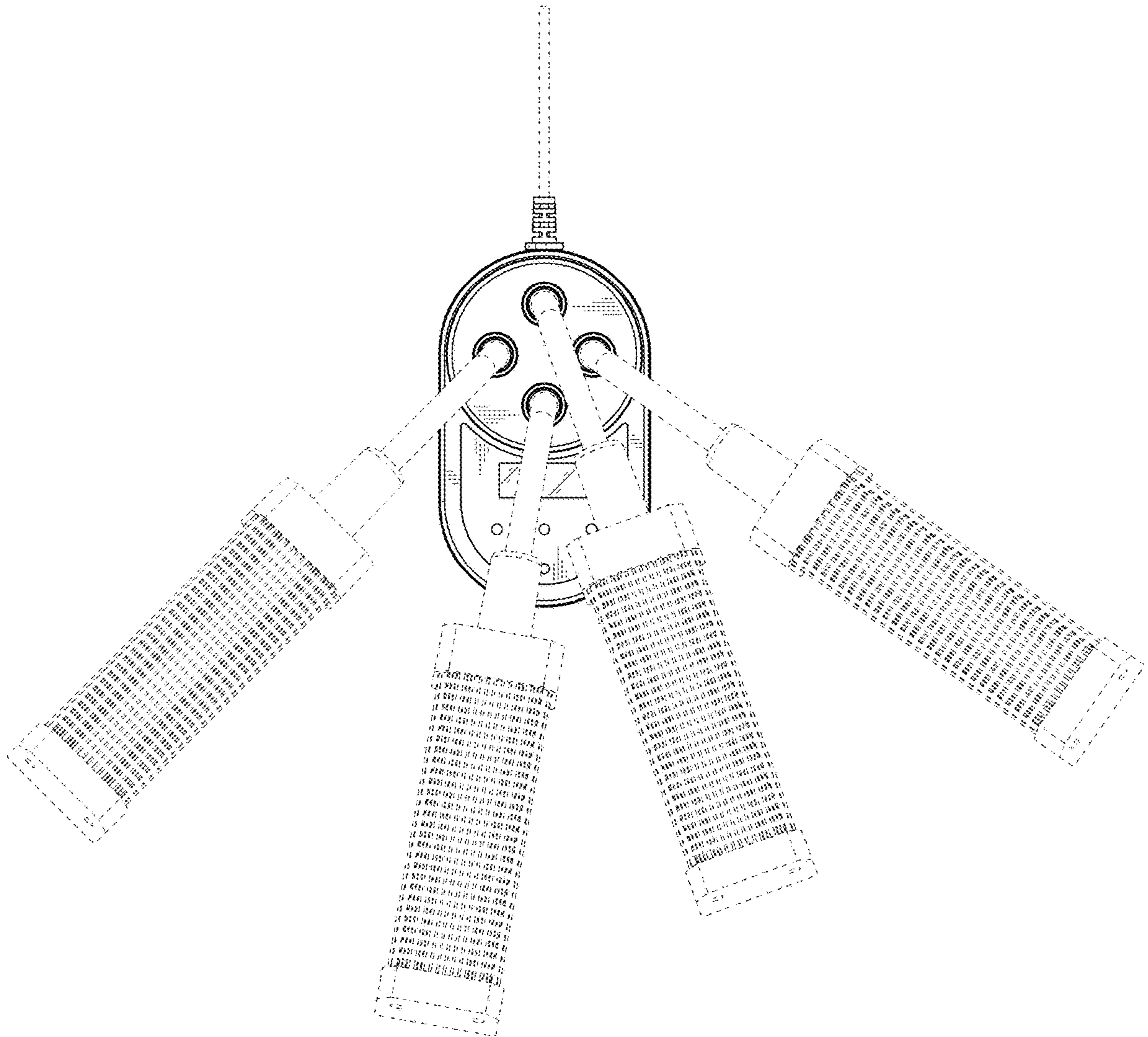


FIG. 7

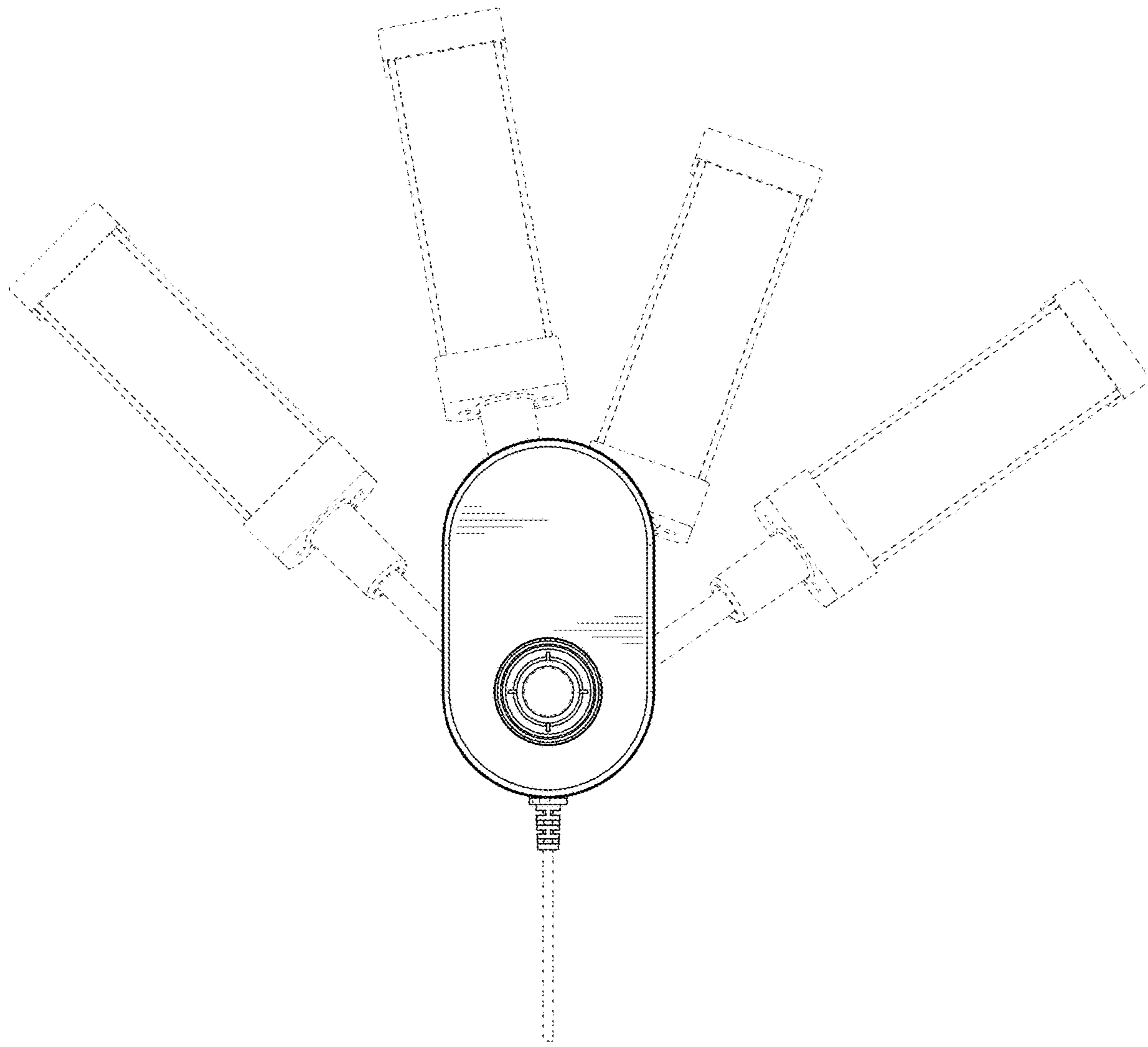


FIG. 8

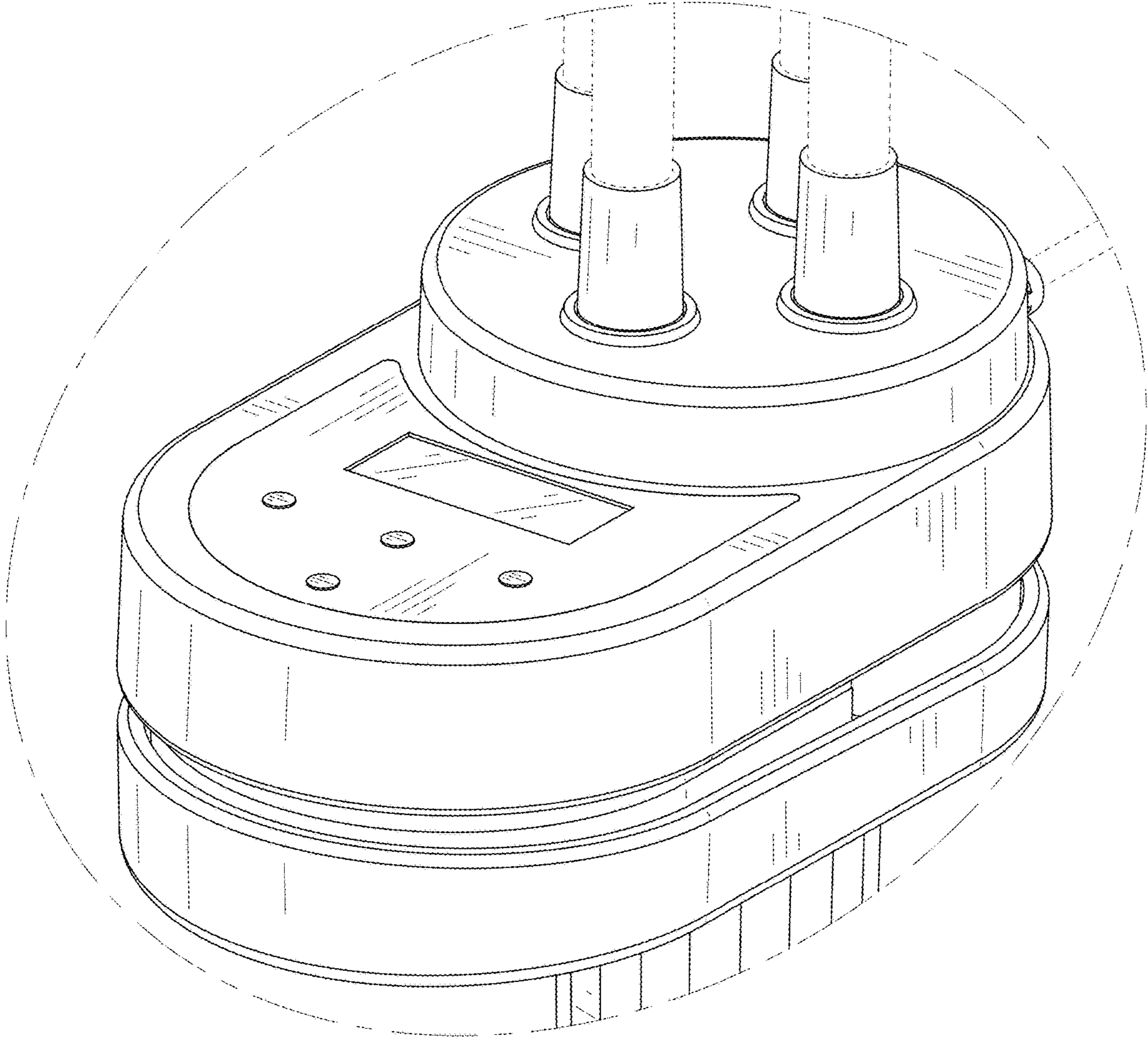


FIG. 9