



US00D946816S

(12) **United States Design Patent**
Zheng

(10) **Patent No.:** **US D946,816 S**
(45) **Date of Patent:** **** Mar. 22, 2022**

(54) **LAMP COVER**

(71) Applicant: **Shenzhen Bolong Technology Co. Ltd.**, Shenzhen (CN)

(72) Inventor: **Huazhu Zheng**, Shenzhen (CN)

(**) Term: **15 Years**

(21) Appl. No.: **29/781,250**

(22) Filed: **Apr. 29, 2021**

(51) **LOC (13) Cl.** **26-05**

(52) **U.S. Cl.**
USPC **D26/118**

(58) **Field of Classification Search**
USPC D26/1, 2, 3, 24, 72, 93, 106, 110, 113,
D26/118, 119, 120, 124, 128
CPC F21W 2121/008; F21S 6/002; F21S 6/004;
F21S 8/035; F21S 9/00; F21S 9/02; F21S
8/03; F21S 8/033; F21L 2/00; F21L 4/00;
F21L 4/02; F21L 4/025; F21L 4/027;
F21L 14/00

See application file for complete search history.

(56) **References Cited**

U.S. PATENT DOCUMENTS

D51,752 S *	2/1918	Dickey	D26/124
D120,903 S *	6/1940	Arenberg	D26/124
D124,167 S *	12/1940	Arenberg	D26/124
D443,713 S *	6/2001	Benensohn	D26/72
D475,802 S *	6/2003	Homann	D26/118
D614,321 S *	4/2010	Yang	D26/2
D634,883 S *	3/2011	Kim	D26/120
D671,661 S *	11/2012	Leung	D26/1
D701,638 S *	3/2014	Inaba	D26/124
D757,307 S *	5/2016	Wallach	D26/24
D785,850 S *	5/2017	Malouin	F21V 17/14 D26/118

D804,089 S	11/2017	Dollar et al.	
D865,273 S	10/2019	Yu et al.	
D865,274 S	10/2019	Yu et al.	
D917,413 S *	4/2021	DeMaio	D14/171
2007/0127233 A1 *	6/2007	Liang	F21V 17/14 362/147

FOREIGN PATENT DOCUMENTS

CN 202130218664.6 * 7/2021

OTHER PUBLICATIONS

Amazon, "Generic 44Mm Led Optical Glass Convex Lens Projector", first available Dec. 9, 2016. (<https://www.amazon.in/Generic-Optical-Convex-Projector-Reflector/dp/B01N9FP8YV>) (Year: 2016).*
Amazon, "Sumnacon Crystal Magnifying Glass Dome", first available Dec. 30, 2016. (<https://www.amazon.com/dp/B01N7N48LT/?th=1>) (Year: 2016).*

(Continued)

Primary Examiner — Lauren D McVey
Assistant Examiner — Justin A Johnson

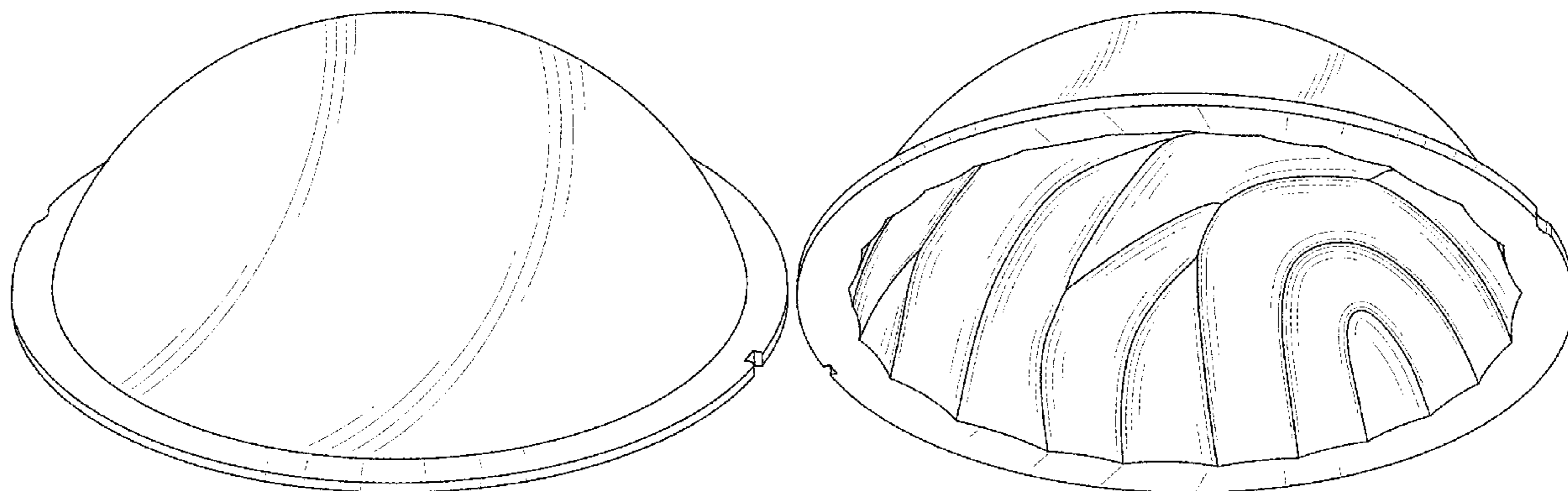
(57) **CLAIM**

The ornamental design for a lamp cover, as shown and described.

DESCRIPTION

FIG. 1 is a first perspective view of a lamp cover showing my new design;
FIG. 2 is a second perspective view thereof;
FIG. 3 is a front view thereof;
FIG. 4 is a back view thereof;
FIG. 5 is a left side view thereof;
FIG. 6 is a right side view thereof;
FIG. 7 is a top view thereof; and,
FIG. 8 is a bottom view thereof.

1 Claim, 8 Drawing Sheets



(56)

References Cited

OTHER PUBLICATIONS

Amazon, "Star Projector Black Plastic Night Light", first available Oct. 13, 2019. (<https://www.amazon.ca/Projector-Black-Plastic-Night-Light/dp/B07YBWQC1J>) (Year: 2019).*

Amazon, "WHATOOK Galaxy Projector", first available Aug. 13, 2021. (<https://www.amazon.com/WHATOOK-Galaxy-Projector-Star-Bedroom/dp/B098JLDB1D?th=1>) (Year: 2021).*

* cited by examiner

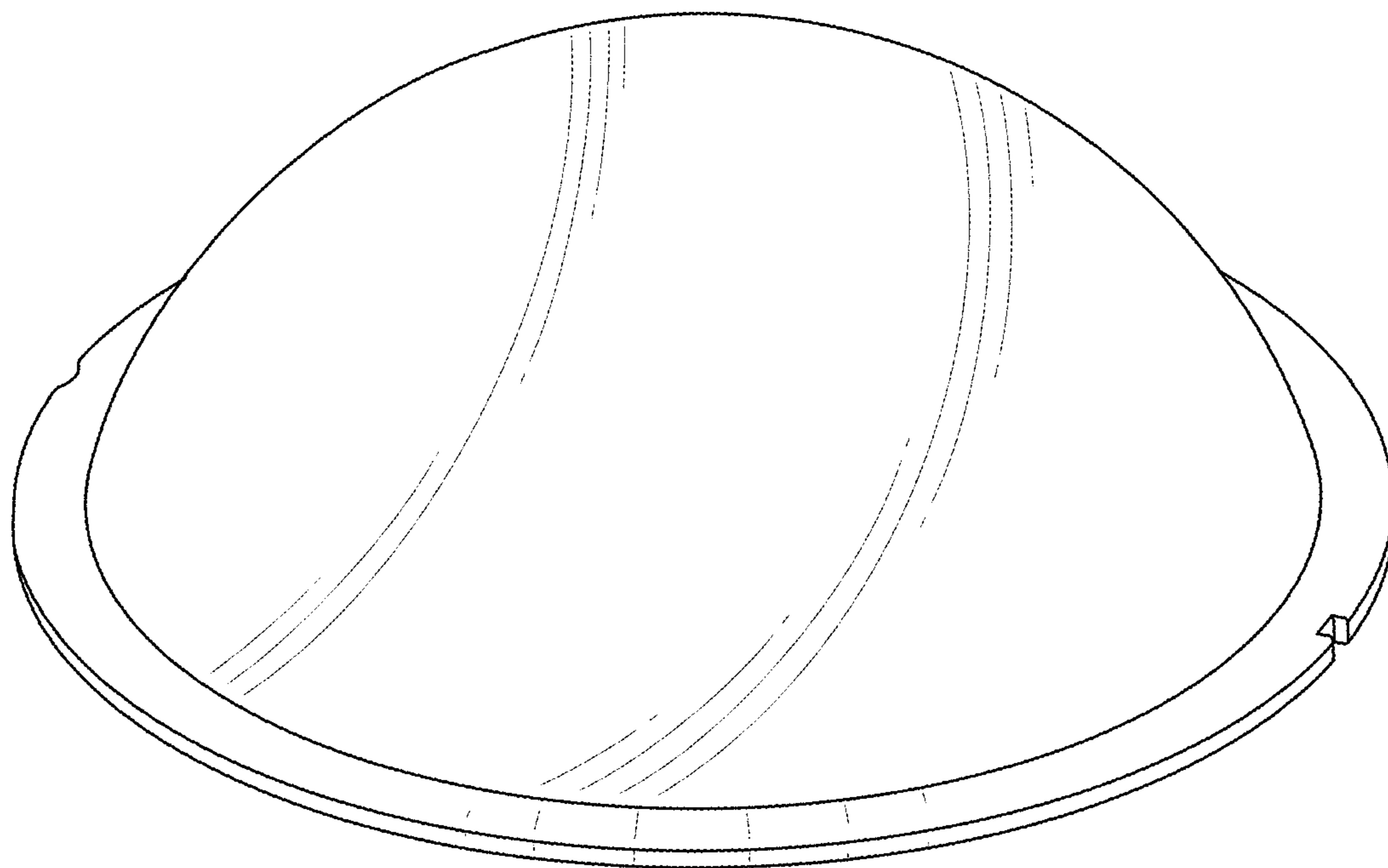


FIG. 1

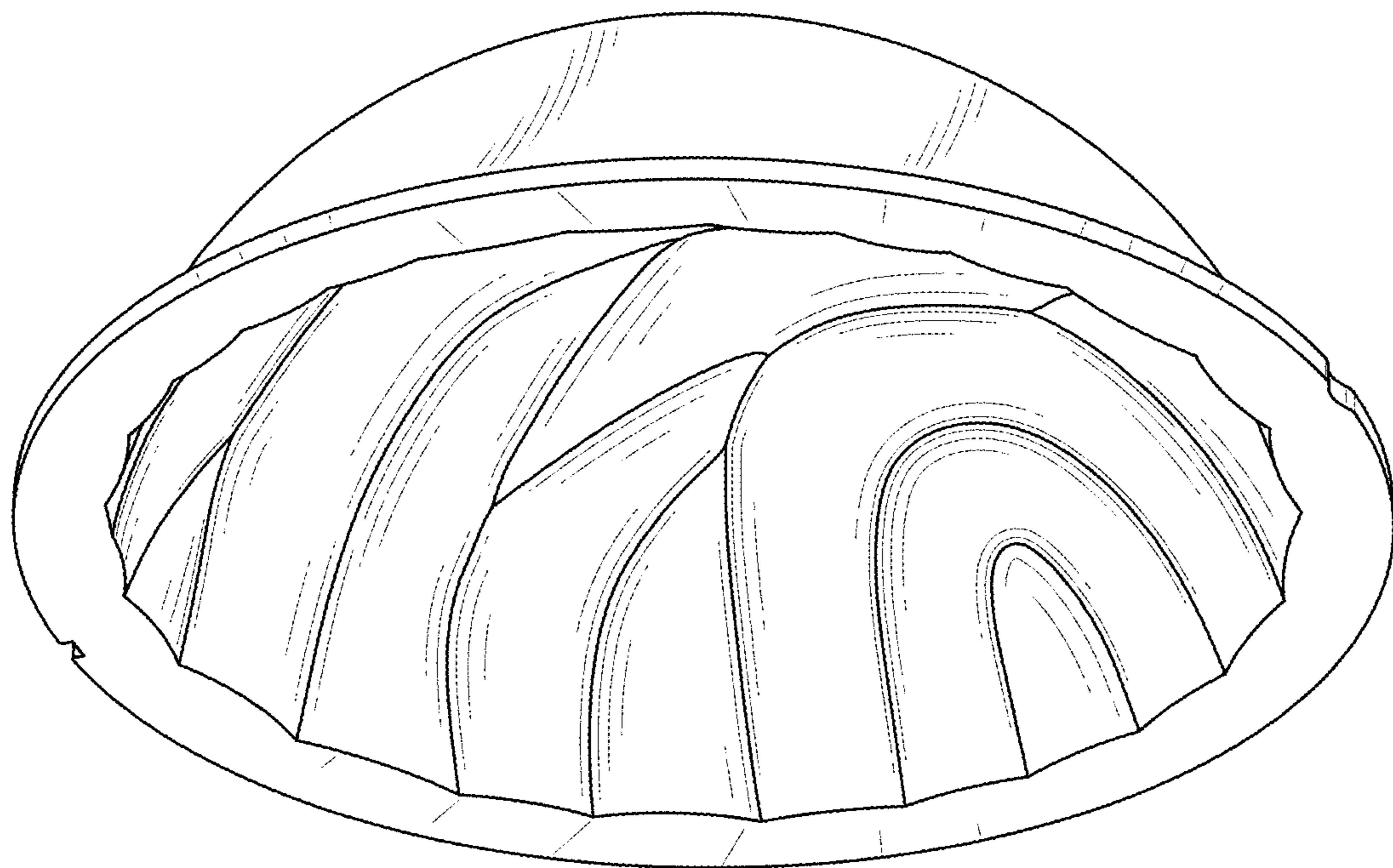


FIG. 2

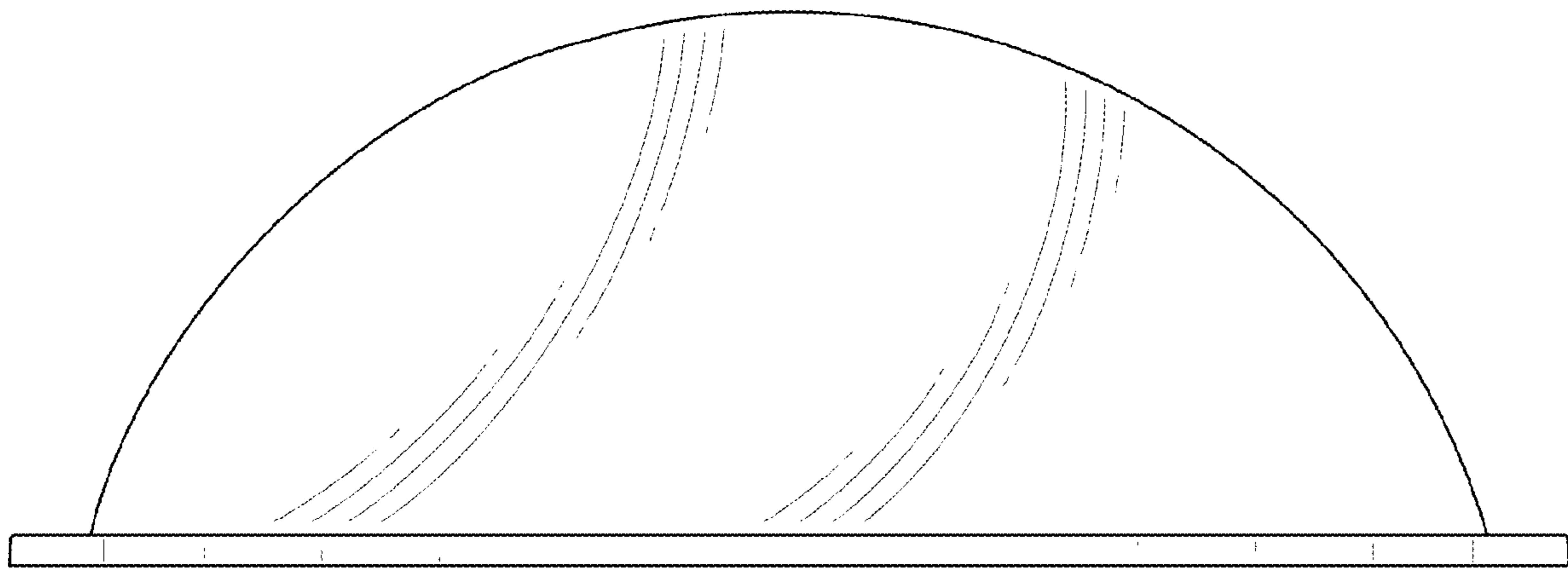


FIG. 3

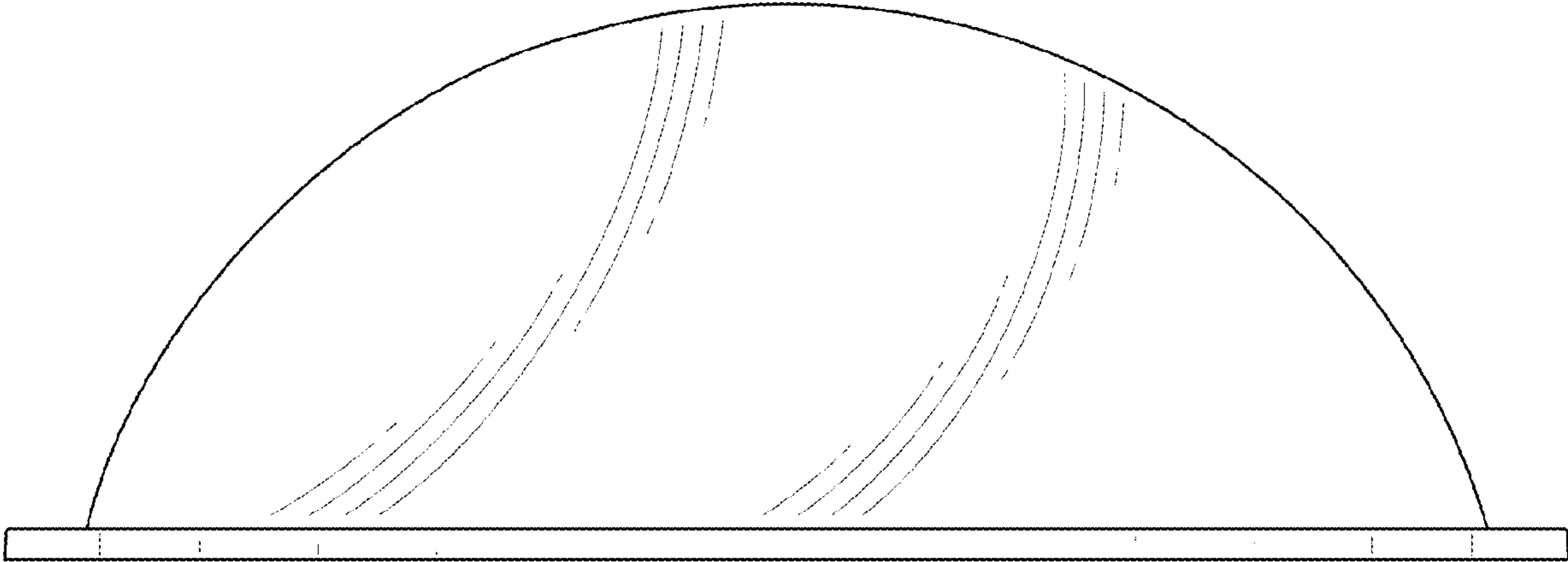


FIG. 4

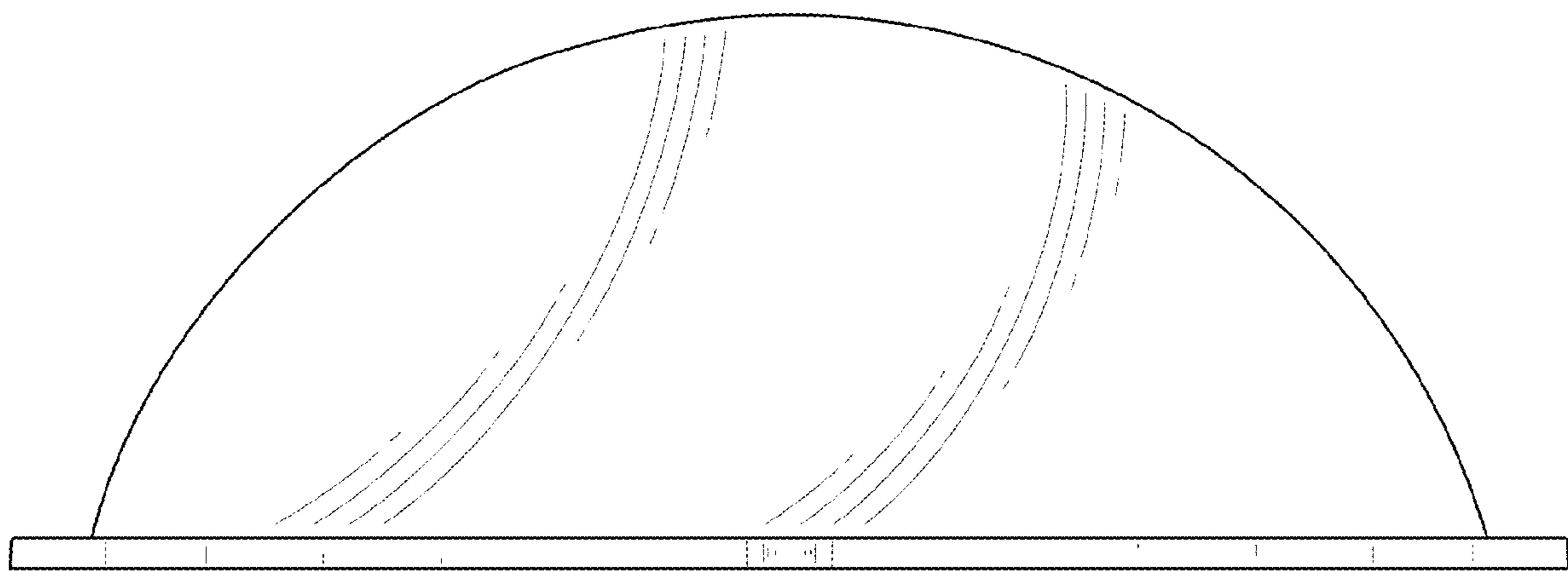


FIG. 5

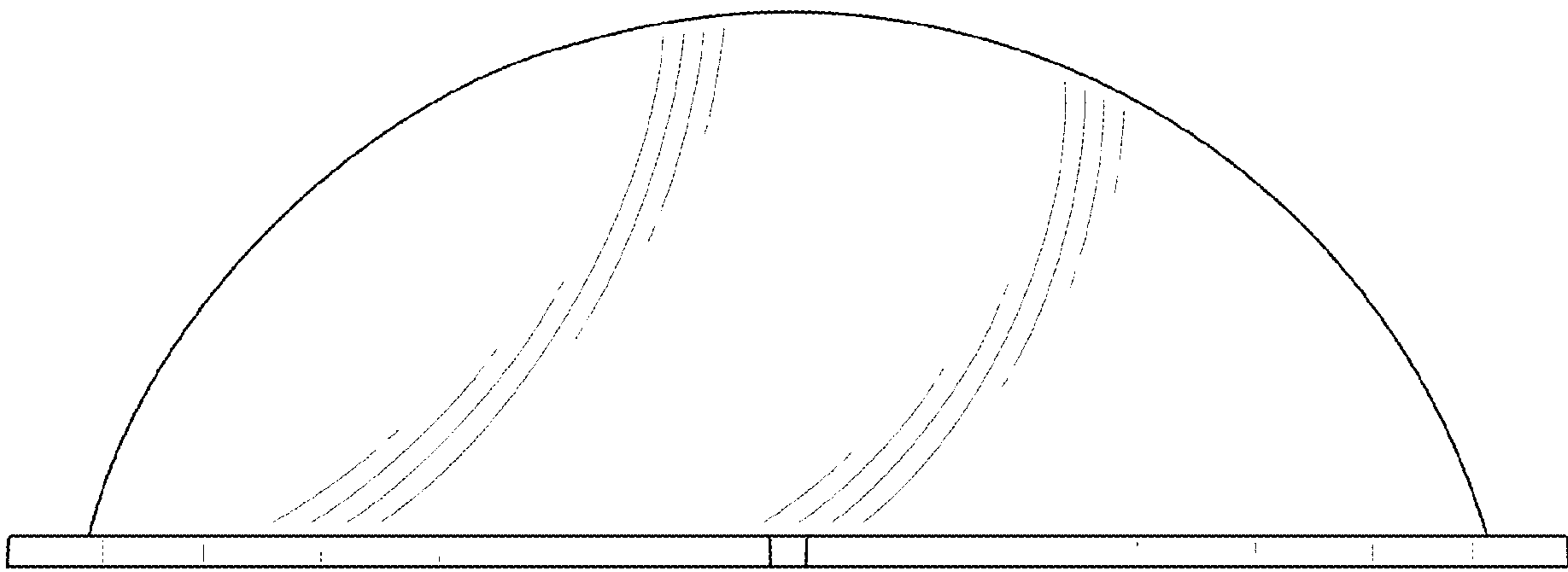


FIG. 6

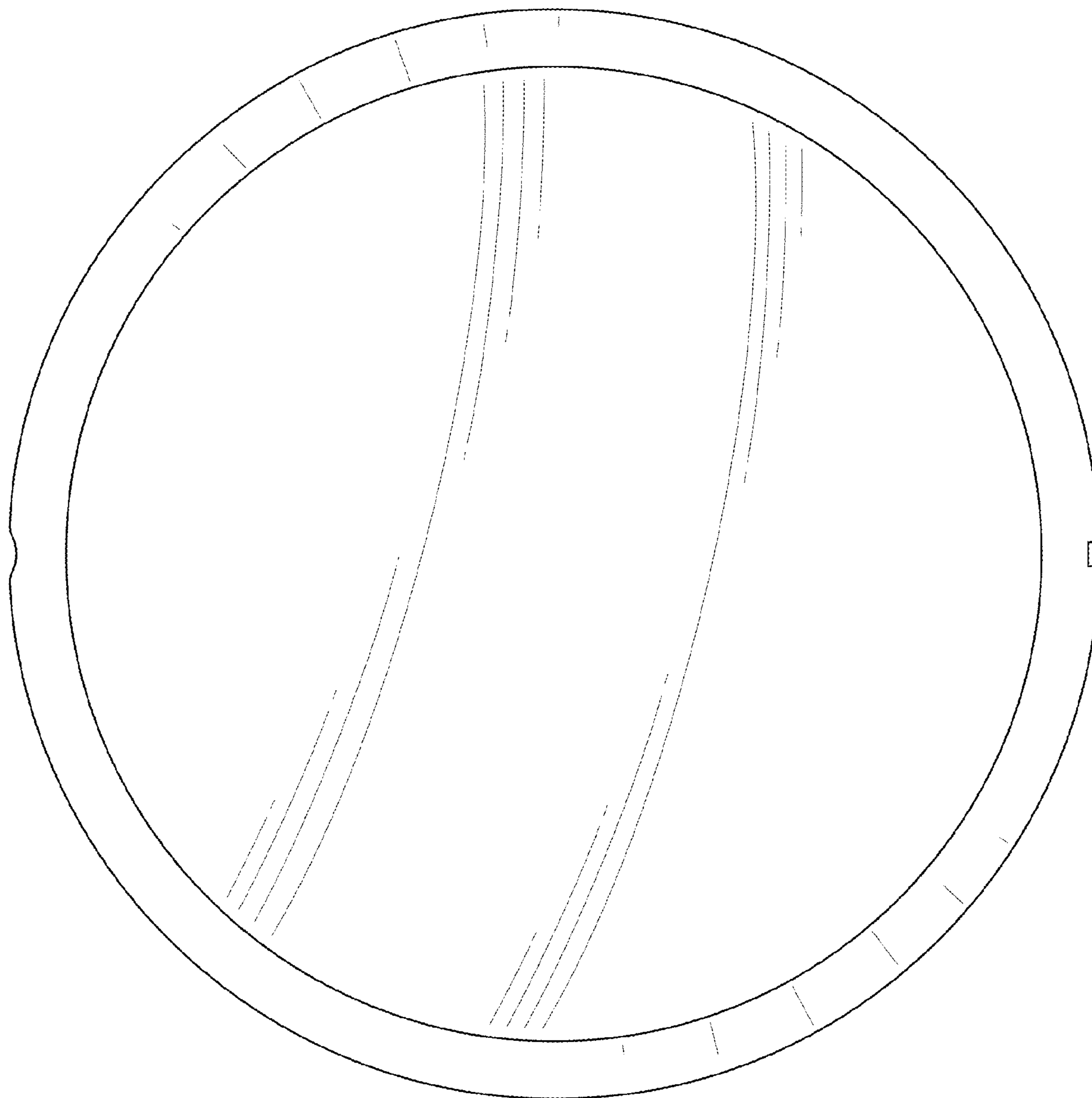


FIG. 7

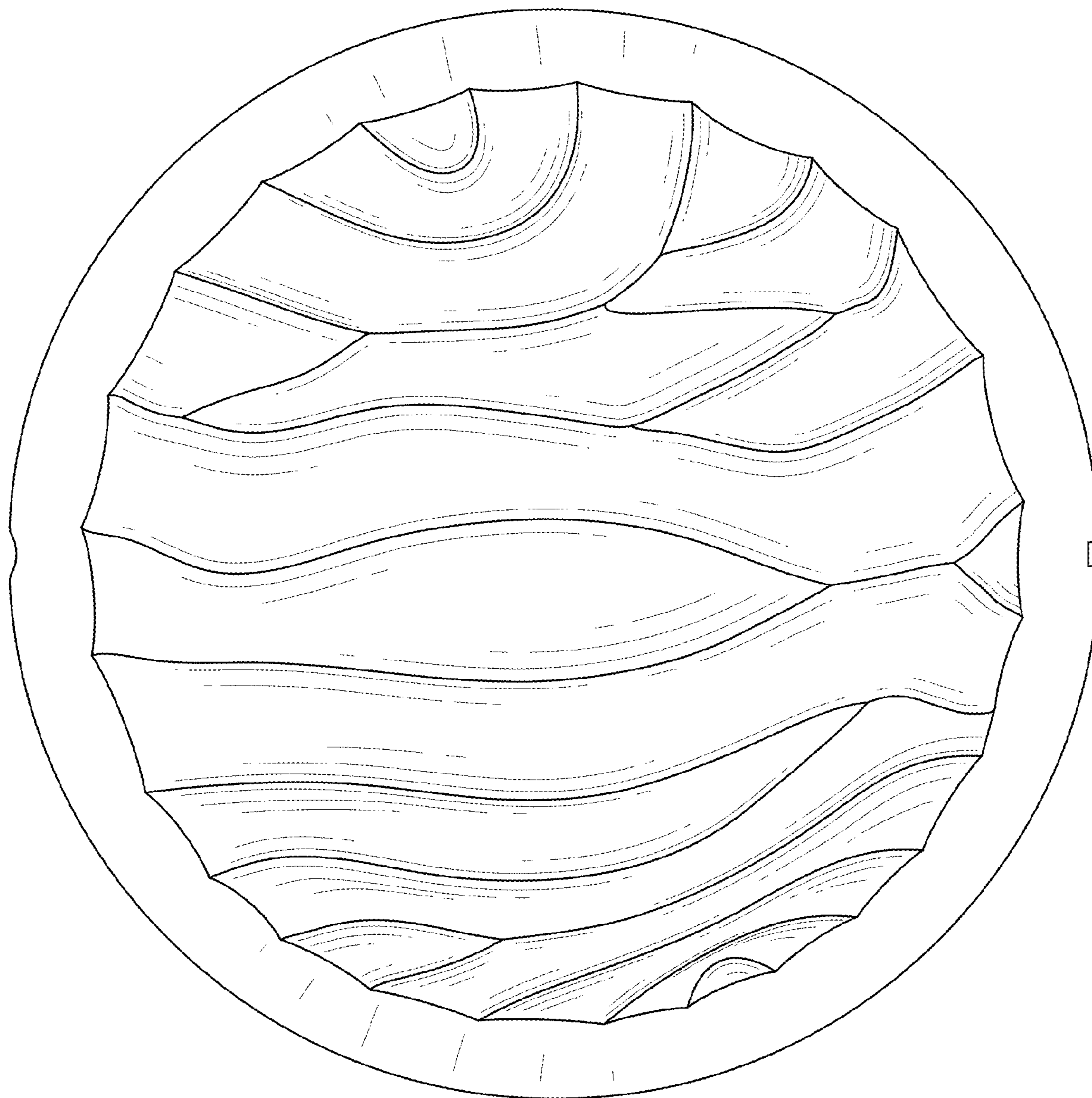


FIG. 8