



US00D946815S

(12) **United States Design Patent**  
**Zhou**

(10) **Patent No.:** **US D946,815 S**  
(45) **Date of Patent:** **\*\* Mar. 22, 2022**

- (54) **STAR PROJECTOR**
- (71) Applicant: **Guangzhou Xinsheng Innovation Technology Co., Ltd.**, Guangdong (CN)
- (72) Inventor: **Licheng Zhou**, Guangdong (CN)
- (73) Assignee: **Guangzhou Xinsheng Innovation Technology Co., Ltd.**, Guangdong (CN)
- (\*\*) Term: **15 Years**
- (21) Appl. No.: **29/781,105**
- (22) Filed: **Apr. 28, 2021**
- (51) **LOC (13) Cl.** ..... **26-05**
- (52) **U.S. Cl.**  
USPC ..... **D26/110; D26/63**
- (58) **Field of Classification Search**  
USPC .... D26/24, 37, 46, 49, 51, 63, 93, 104, 106, D26/110; D16/221  
CPC .... F21S 6/00; F21S 6/002; F21S 6/003; F21S 6/006; F21S 6/007; F21S 10/00; F21S 10/02; F21S 10/06; F21S 10/007; F21S 10/046; F21S 10/063; F21S 9/00; F21S 9/02; F21W 2131/00; F21W 2131/30; F21W 2131/205; F21W 2131/406; F21V 15/00; F21V 15/01; F21V 9/08; F21V 9/14; F21V 9/083; G03B 21/00; G03B 21/14; G03B 21/20  
See application file for complete search history.

D757,307 S *	5/2016	Wallach .....	D26/24
D821,633 S *	6/2018	Yang .....	D26/106
D840,070 S *	2/2019	Cramer .....	D26/37
D840,582 S *	2/2019	Liu .....	D26/104
D850,682 S *	6/2019	DeBrunner .....	D26/40
D858,860 S	9/2019	Lin	
D861,966 S *	10/2019	Wang .....	D26/110
D867,625 S *	11/2019	Khubani .....	D26/24
D867,626 S *	11/2019	Song .....	D26/24
D898,271 S *	10/2020	Zheng .....	D26/110
D912,883 S *	3/2021	Zheng .....	D26/110
D914,952 S	3/2021	Liu	
D915,661 S *	4/2021	Zhu .....	D26/106
D917,092 S *	4/2021	Zhang .....	D26/110
D922,665 S *	6/2021	Feng .....	D26/110
D924,465 S *	7/2021	Zhang .....	D26/93
D936,272 S *	11/2021	Johnson .....	D26/89

\* cited by examiner

*Primary Examiner* — Wan Laymon  
*Assistant Examiner* — Clint A Samuel  
(74) *Attorney, Agent, or Firm* — ScienBiziP, P.C.

(57) **CLAIM**

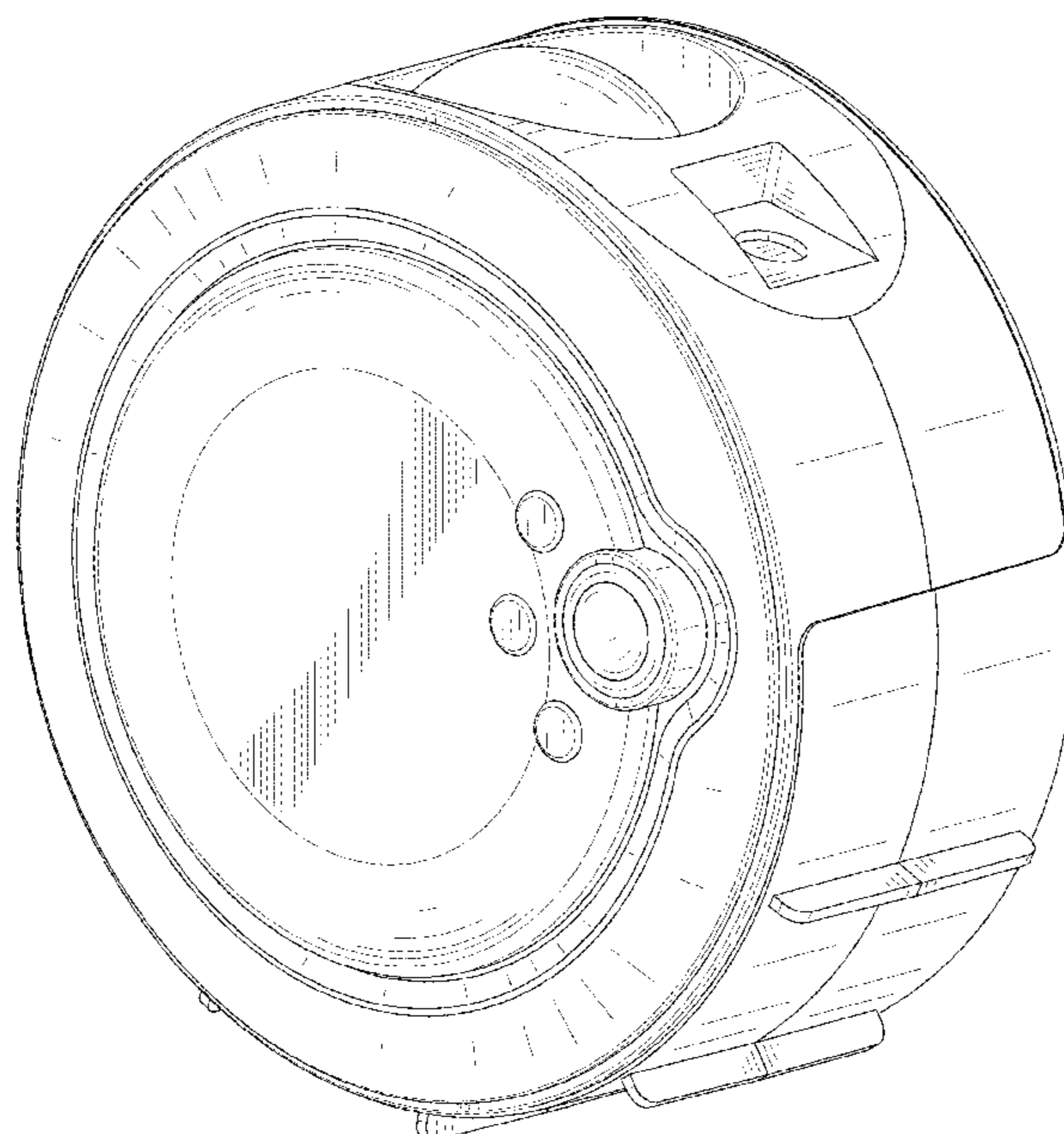
The ornamental design for a star projector, as shown and described.

**DESCRIPTION**

FIG. 1 is a front, right, and top perspective view of a star projector, showing my design.  
FIG. 2 is a front elevation view thereof.  
FIG. 3 is a rear elevation view thereof.  
FIG. 4 is a left side elevation view thereof.  
FIG. 5 is a right side elevation view thereof.  
FIG. 6 is a top plan view thereof; and,  
FIG. 7 is a bottom plan view thereof.  
The broken lines shown in the drawings are included for the purpose of illustrating portions of the star projector that form no part of the claimed design.

**1 Claim, 7 Drawing Sheets**

- (56) **References Cited**  
U.S. PATENT DOCUMENTS  
D577,836 S \* 9/2008 Engebriksen ..... D26/24  
D621,081 S \* 8/2010 Abernethy ..... D26/60



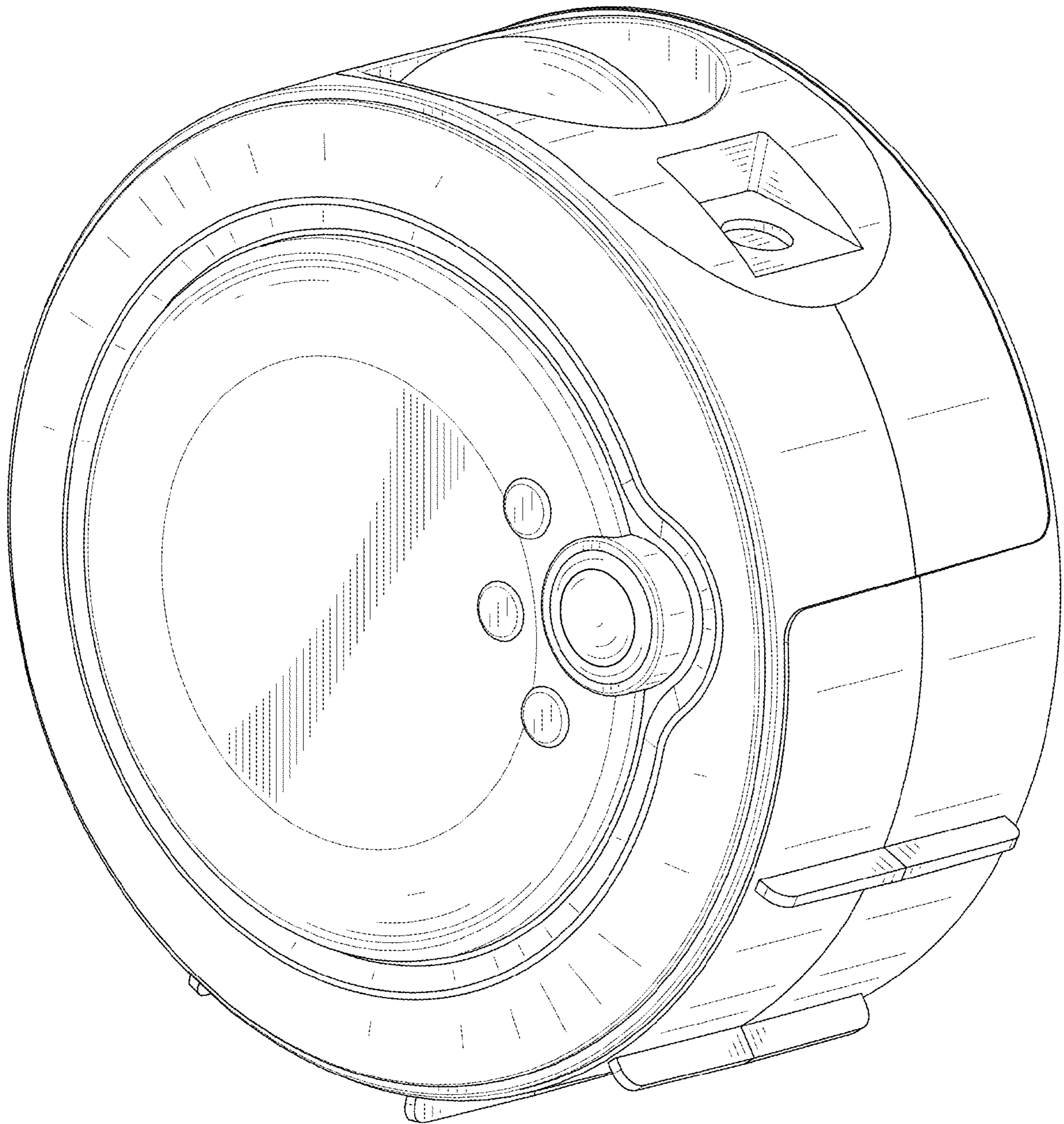


FIG.1

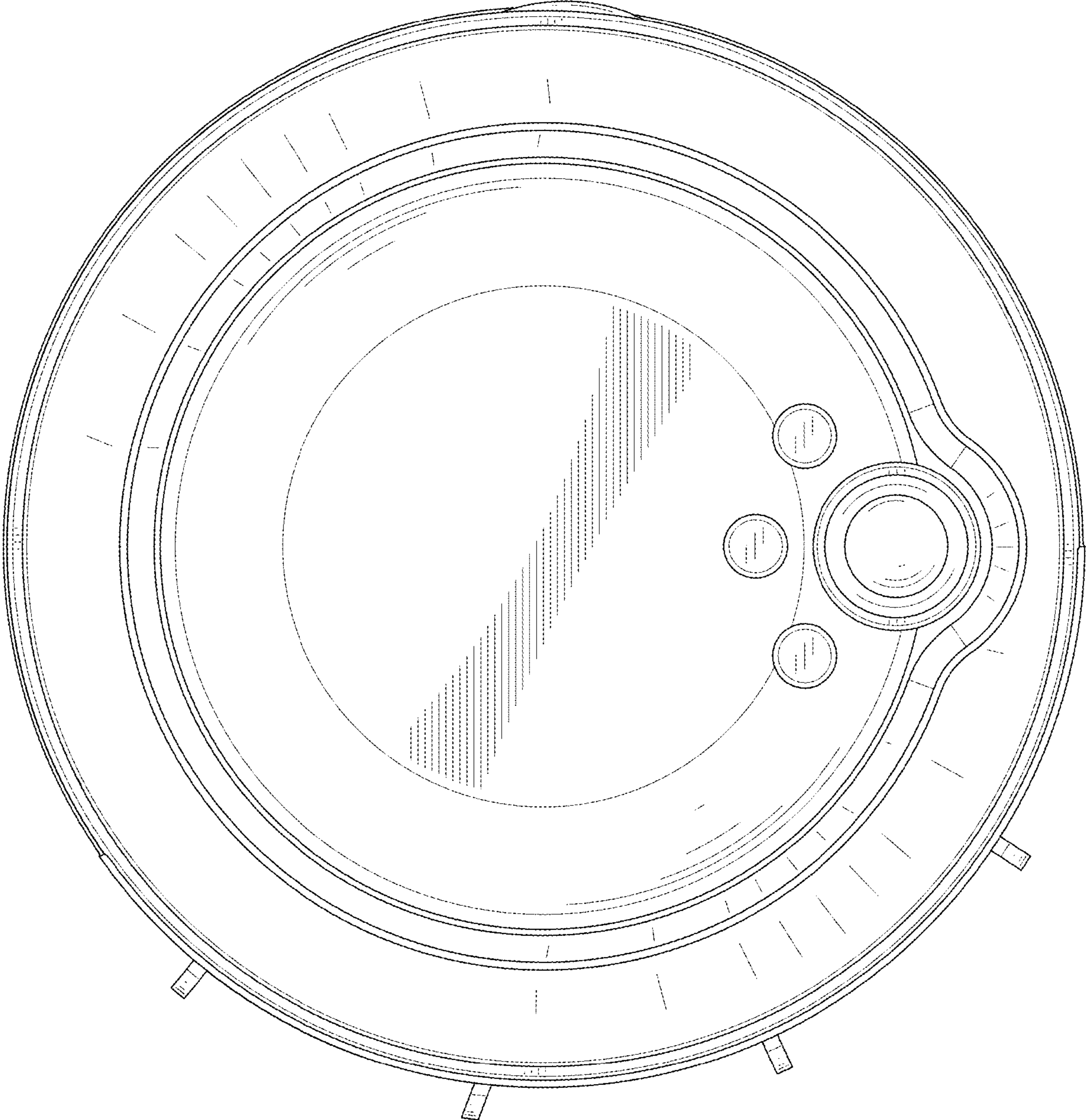


FIG.2

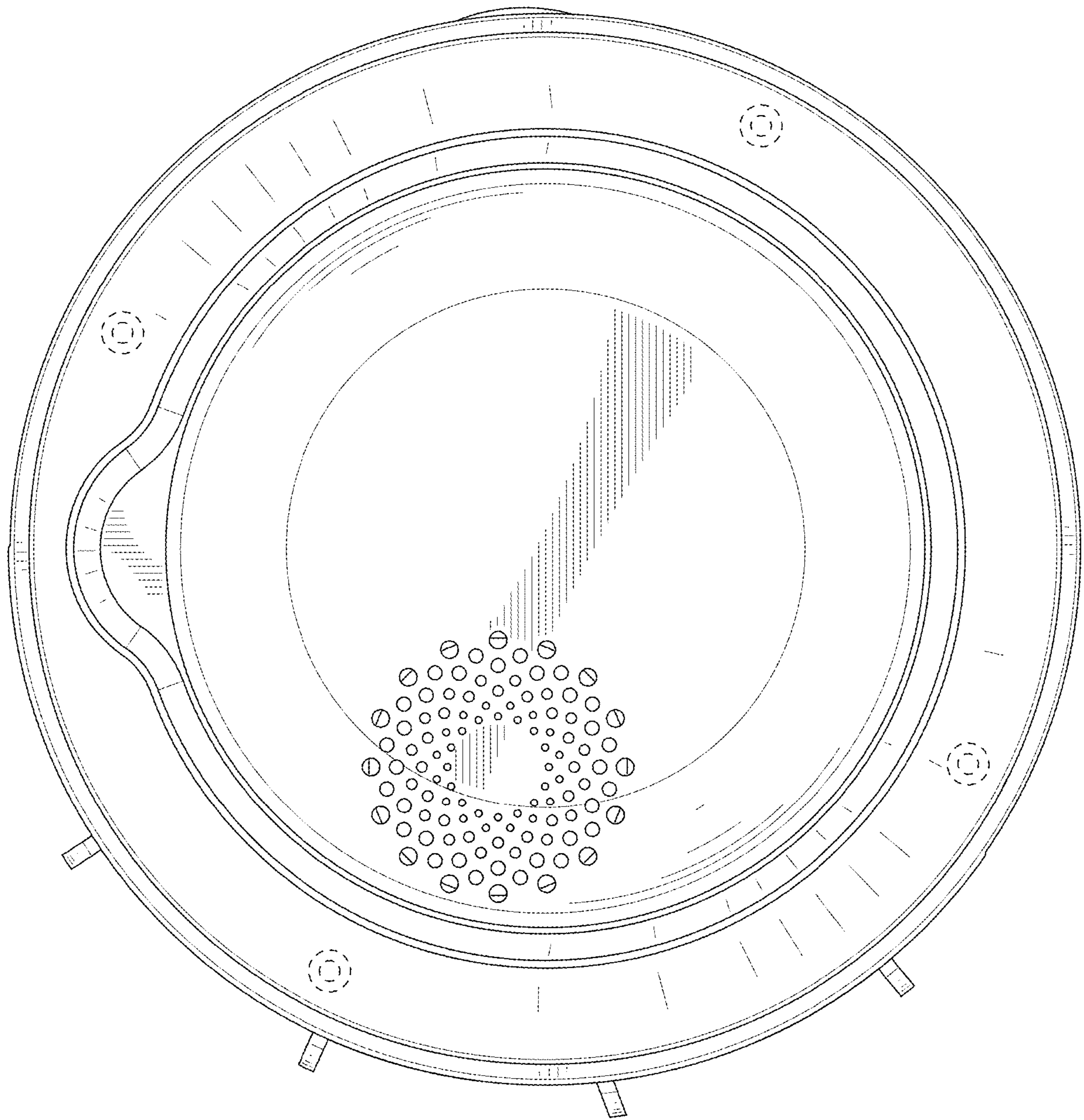


FIG.3

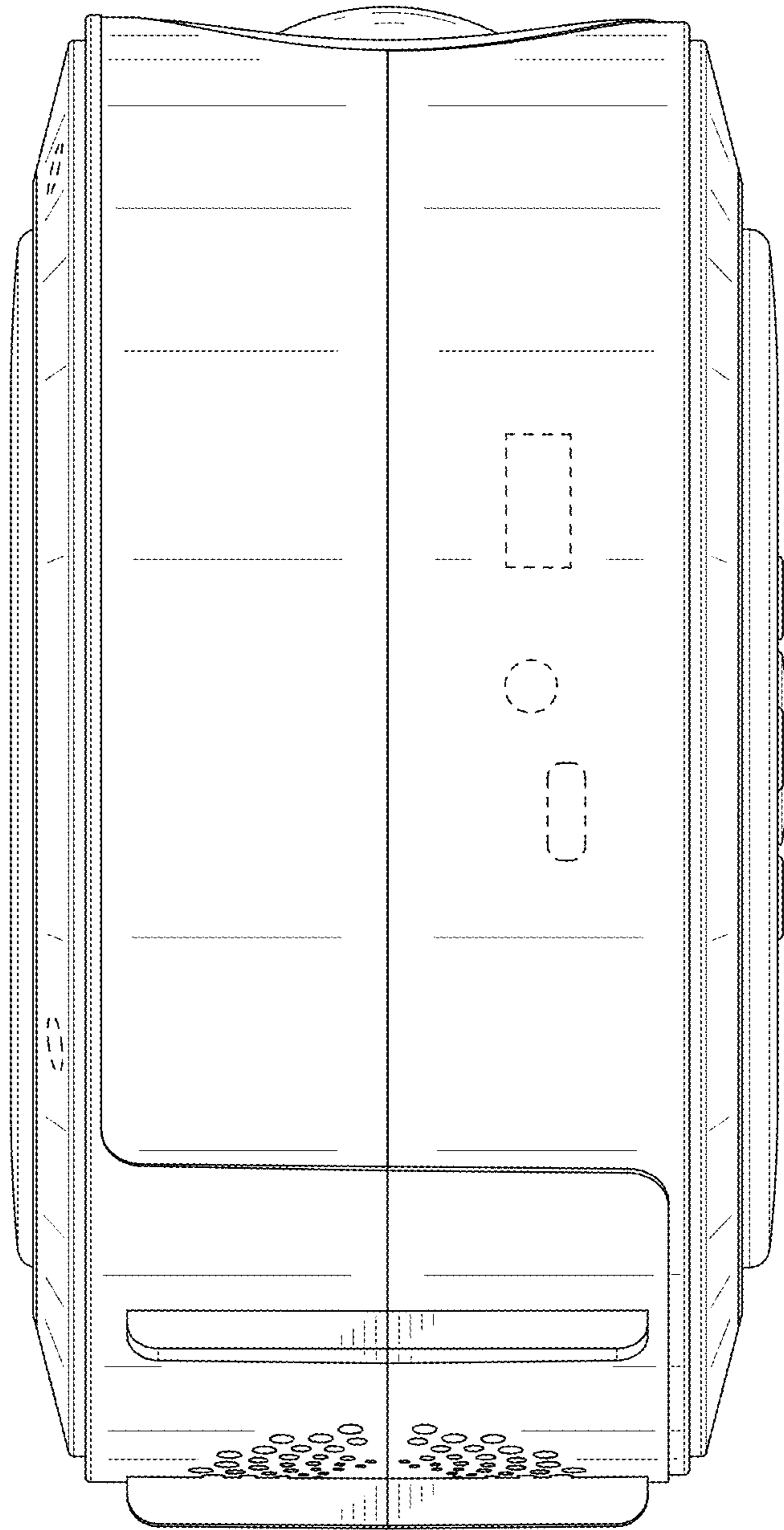


FIG.4

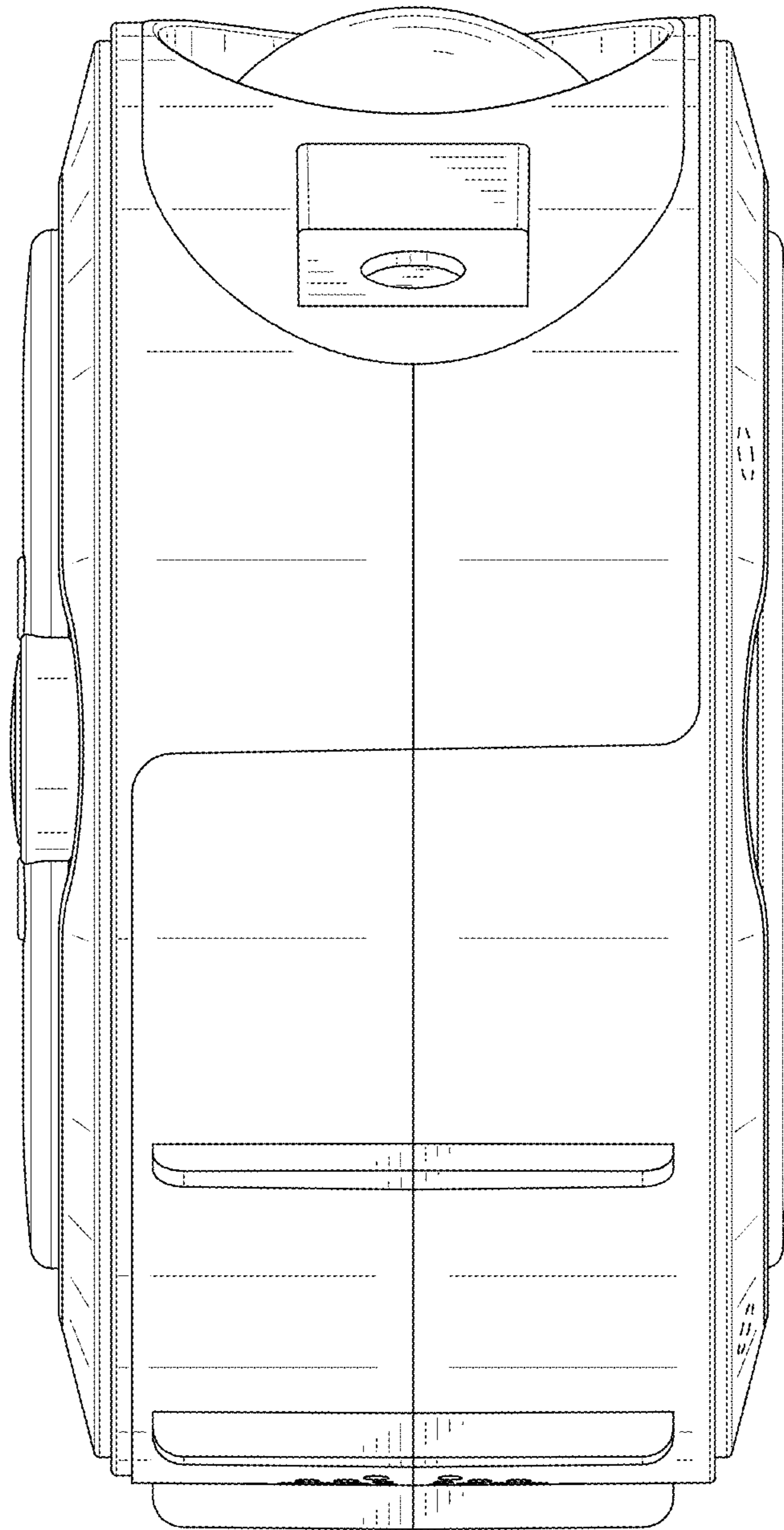


FIG.5

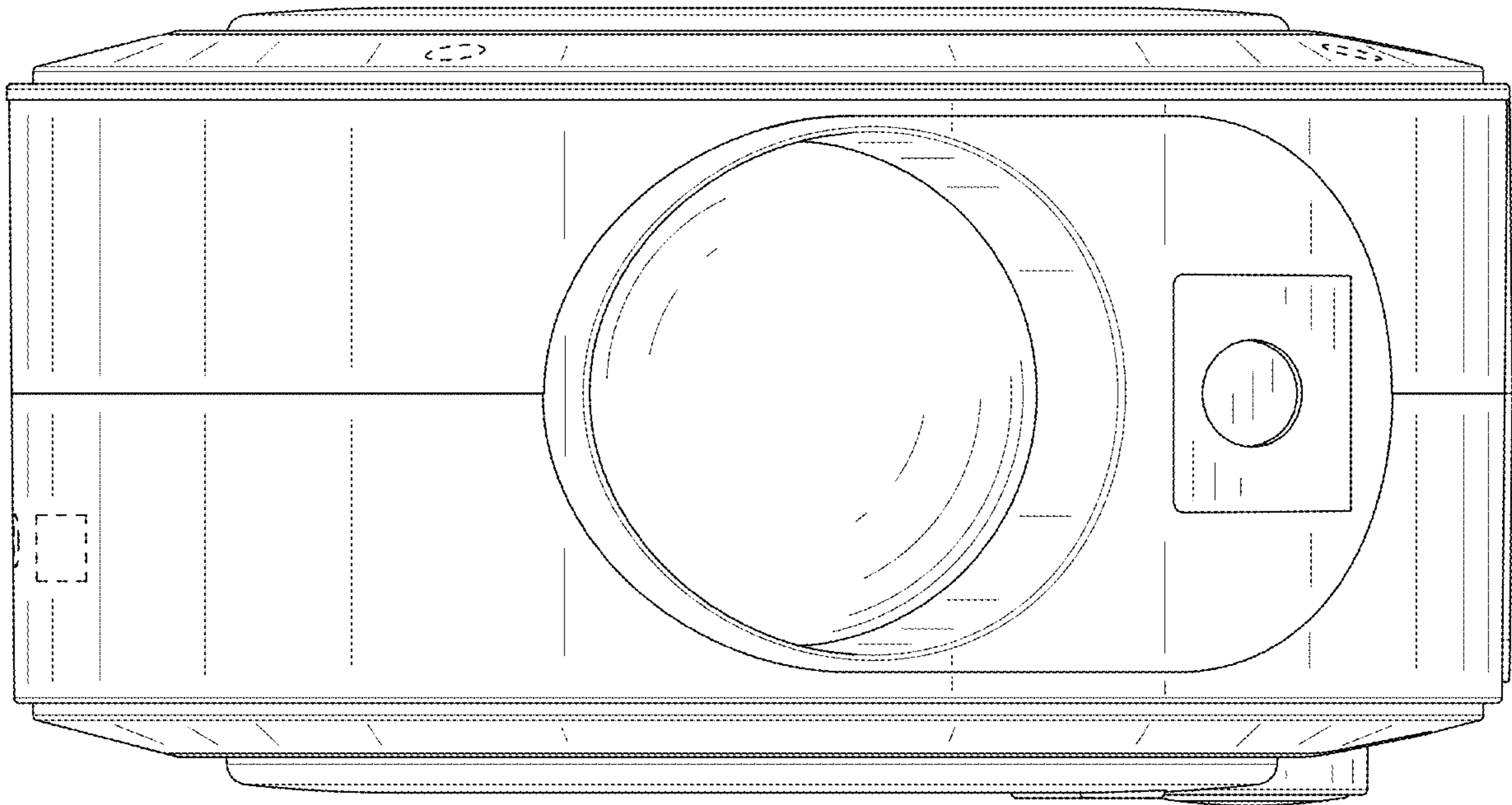


FIG. 6

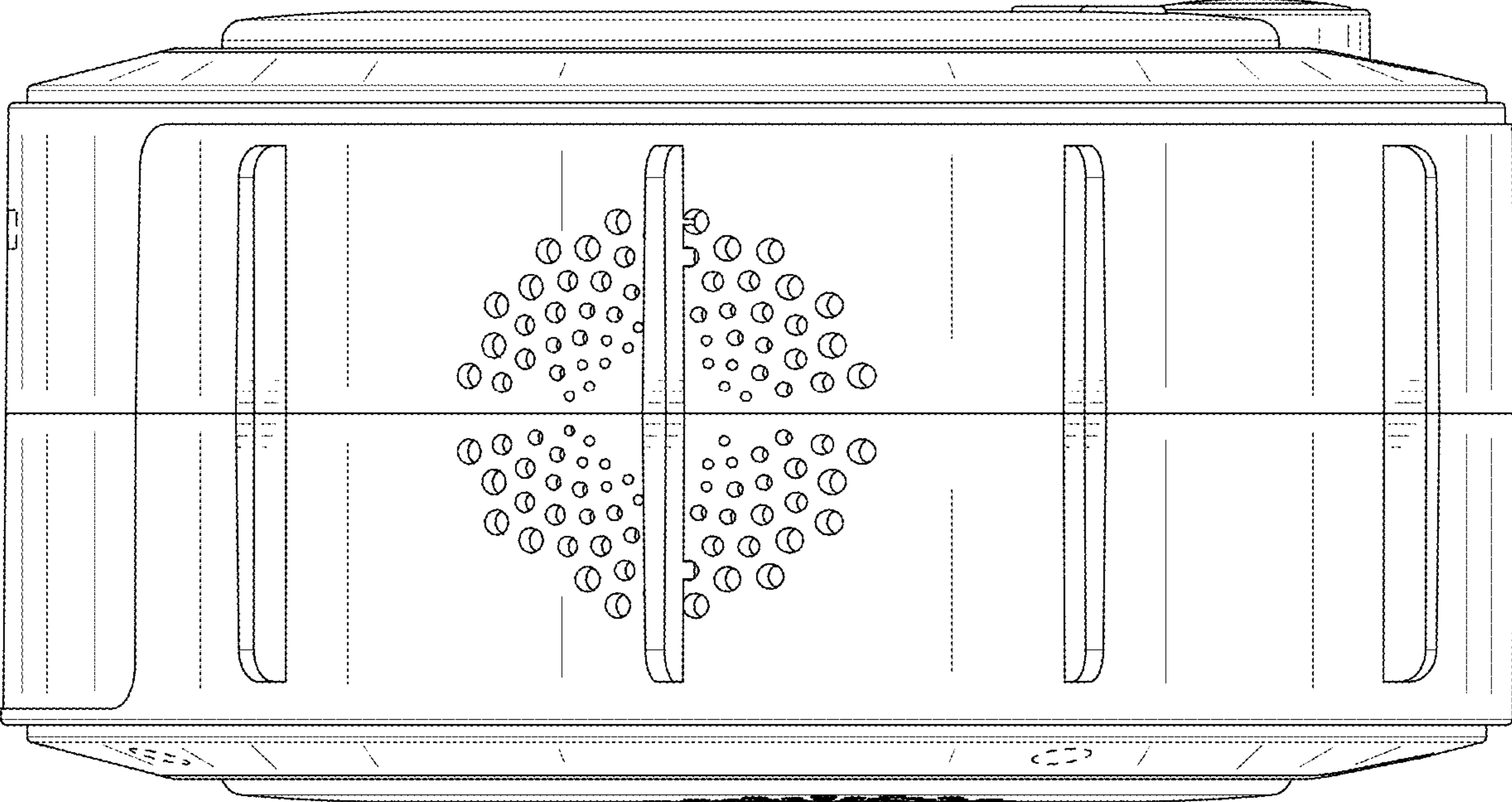


FIG.7