



US00D946813S

(12) **United States Design Patent**
Wang

(10) **Patent No.:** **US D946,813 S**
(45) **Date of Patent:** **** Mar. 22, 2022**

(54) **LAMP**
(71) Applicant: **Zumin Wang**, Jiujiang (CN)
(72) Inventor: **Zumin Wang**, Jiujiang (CN)
(**) Term: **15 Years**
(21) Appl. No.: **29/773,484**

D913,571 S * 3/2021 Yang D26/105
D914,952 S * 3/2021 Liu D26/106
D915,661 S * 4/2021 Zhu D26/106
D920,565 S * 5/2021 Liu D26/106
D922,664 S * 6/2021 Li D26/106
D924,465 S * 7/2021 Zhang D26/93
D927,045 S * 8/2021 Li D26/110
D927,751 S * 8/2021 Zheng D26/51
D927,765 S * 8/2021 Li D26/106

(Continued)

(22) Filed: **Mar. 10, 2021**
(51) **LOC (13) Cl.** **26-05**
(52) **U.S. Cl.**
USPC **D26/108; D26/24**
(58) **Field of Classification Search**
USPC D26/1, 24, 93, 104, 106, 108, 110, 112,
D26/118, 124
CPC F21S 6/00; F21S 6/002; F21S 10/00; F21S
10/06; F21V 3/00; F21V 3/02; F21V
5/007; F21V 5/04; F21W 2121/00; F21W
2121/008; F21W 2131/30
See application file for complete search history.

FOREIGN PATENT DOCUMENTS

CN 306689011 * 7/2021

OTHER PUBLICATIONS

ALED Light LED Projector Night Light, Jun. 19, 2020, Amazon.com, site visited Dec. 8, 2021, url: <https://www.amazon.com/dp/B08BJ33Z7S> (Year: 2020).*

(Continued)

Primary Examiner — T Chase Nelson
Assistant Examiner — Rachel Wolfe

(56) **References Cited**

U.S. PATENT DOCUMENTS

D268,441 S * 3/1983 Siff D26/24
D353,907 S * 12/1994 Doria D26/106
D377,234 S * 1/1997 Roberts D26/138
D570,306 S * 6/2008 Teshima D13/180
D578,226 S * 10/2008 West D26/1
D640,409 S * 6/2011 Lin
D703,348 S * 4/2014 Reiherzer D26/2
D730,546 S * 5/2015 Baum D26/1
D731,107 S * 6/2015 Wu D26/104
D757,307 S * 5/2016 Wallach D26/24
D779,109 S * 2/2017 Wallach D26/97
D821,633 S * 6/2018 Yang D26/106
D858,861 S * 9/2019 Lin
D872,346 S * 1/2020 Yang D26/105
D886,650 S * 6/2020 Lan D10/70
D889,023 S * 6/2020 Sun D26/107
D889,695 S * 7/2020 Chen D26/1

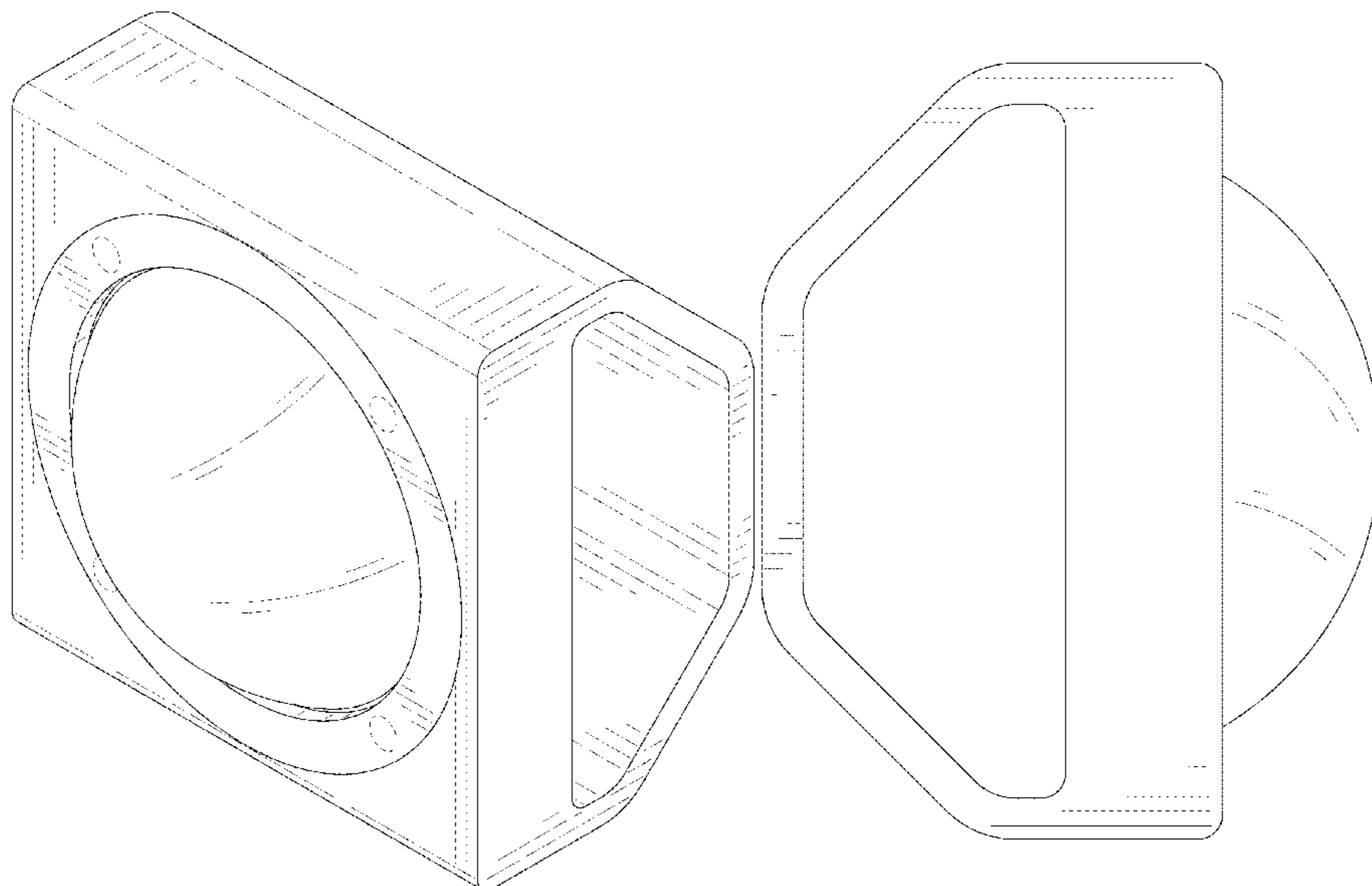
(57) **CLAIM**

The ornamental design for a lamp, as shown and described.

DESCRIPTION

FIG. 1 is a perspective view of a lamp showing my new design;
FIG. 2 is another perspective view thereof;
FIG. 3 is a front elevational view thereof;
FIG. 4 is a rear elevational view thereof;
FIG. 5 is a left side elevational view thereof;
FIG. 6 is a right side elevational view thereof;
FIG. 7 is a top plan view thereof; and,
FIG. 8 is a bottom plan view thereof.
The broken lines in the drawings depict portions of the lamp that form no part of the claimed design.

1 Claim, 8 Drawing Sheets



(56)

References Cited

U.S. PATENT DOCUMENTS

D930,212 S * 9/2021 Liu D26/63
D931,515 S * 9/2021 Zhang D26/63

OTHER PUBLICATIONS

Divoom Planet-9 Table Lamps, Jul. 17, 2020, Amazon.com, site visited Dec. 8, 2021, url: <https://www.amazon.com/dp/B08D62WRRK> (Year: 2020).*

LEFUYAN Sunset Projection Led Light, Jan. 9, 2021, Amazon.com, site visited Oct. 27, 2021, url: <https://www.amazon.com/Projection-Romantic-Projector-Birthday-Charging/dp/B08SJ3THQF?th=1> (Year: 2021).*

SEGOAL Sunset Projection Lamp, Mar. 4, 2021, Amazon.com, site visited Dec. 8, 2021, url: <https://www.amazon.com/dp/B08X156MX4?th=1> (Mar. 2021).*

* cited by examiner

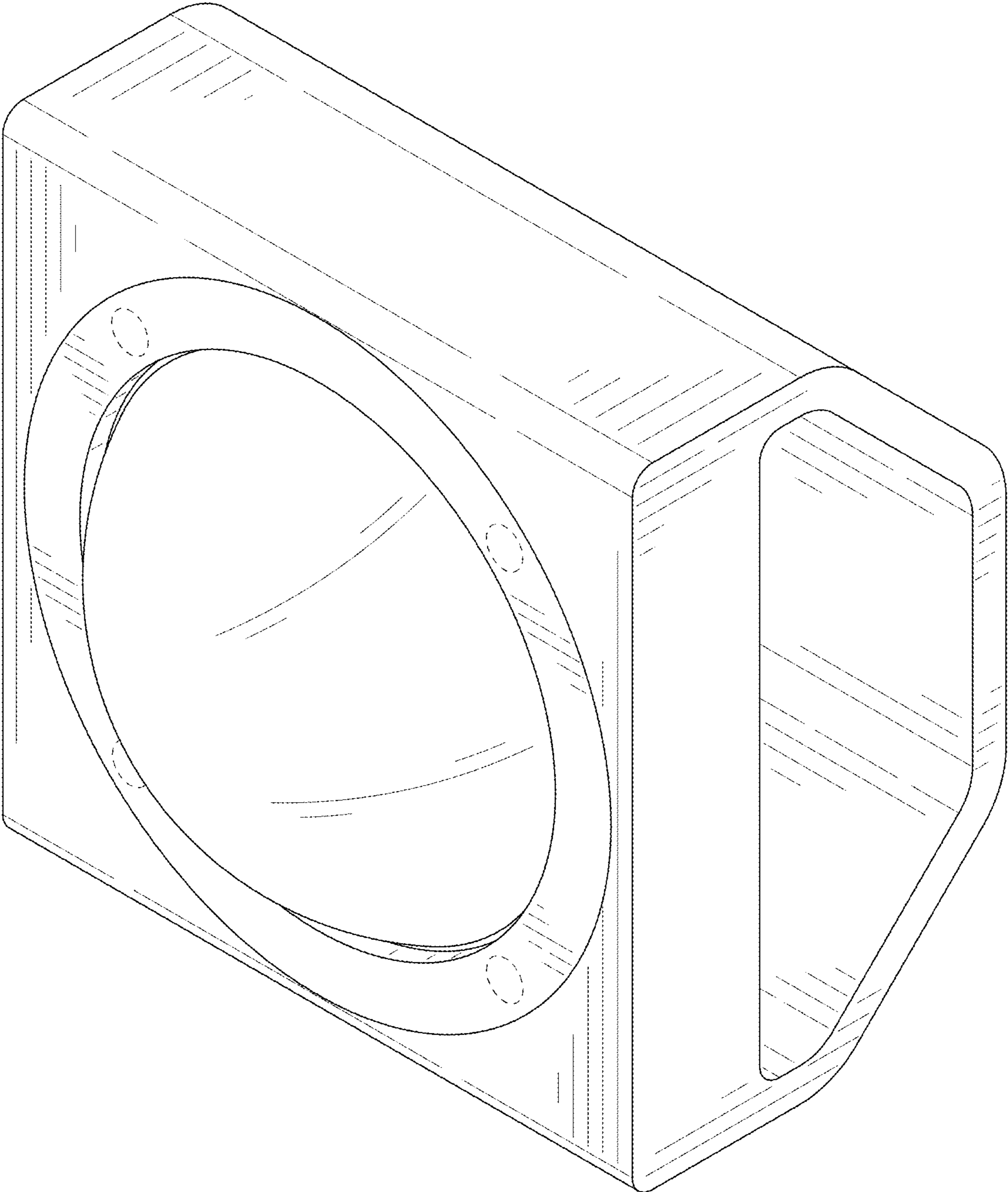


FIG. 1

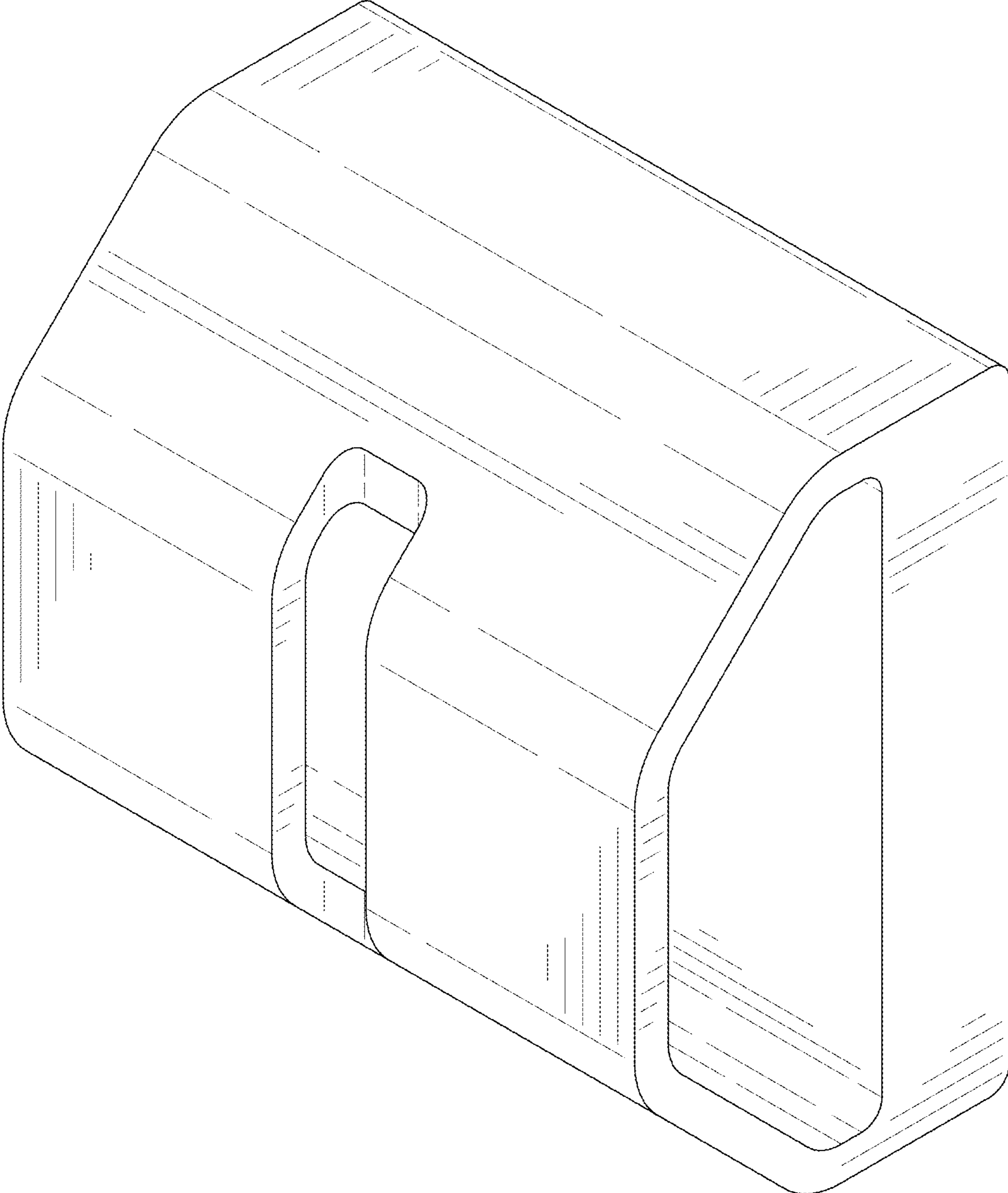


FIG. 2

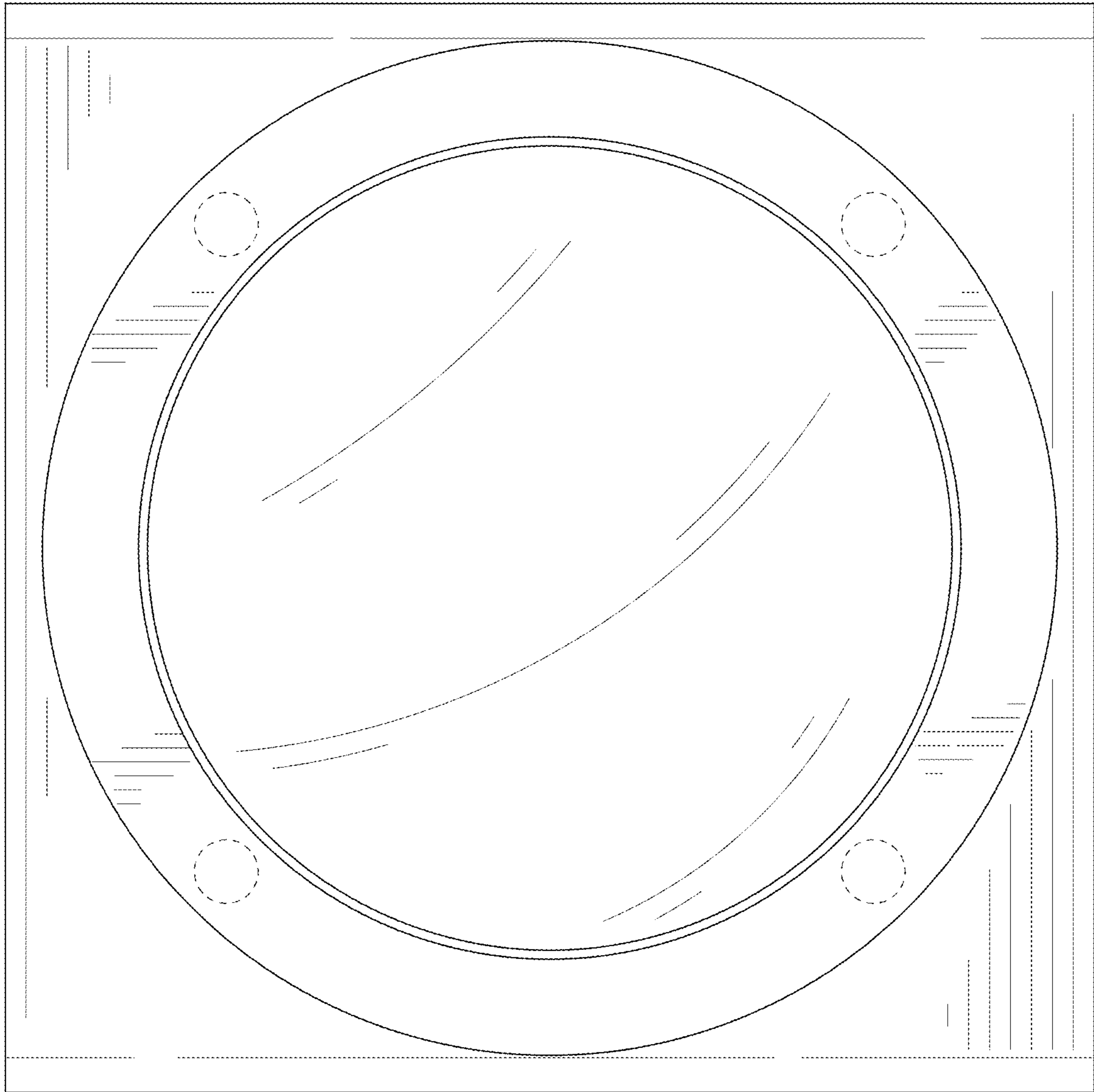


FIG. 3

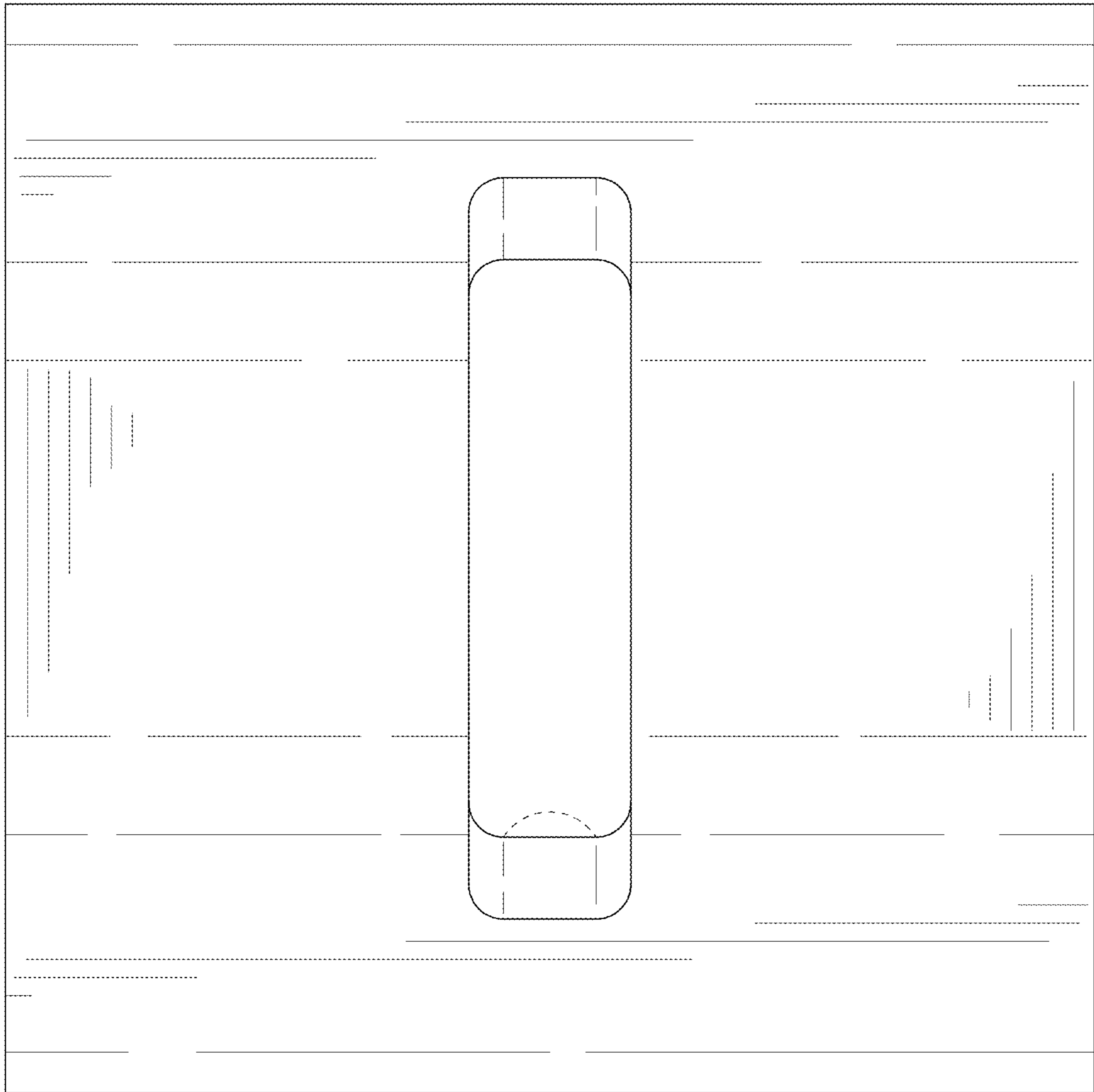


FIG. 4

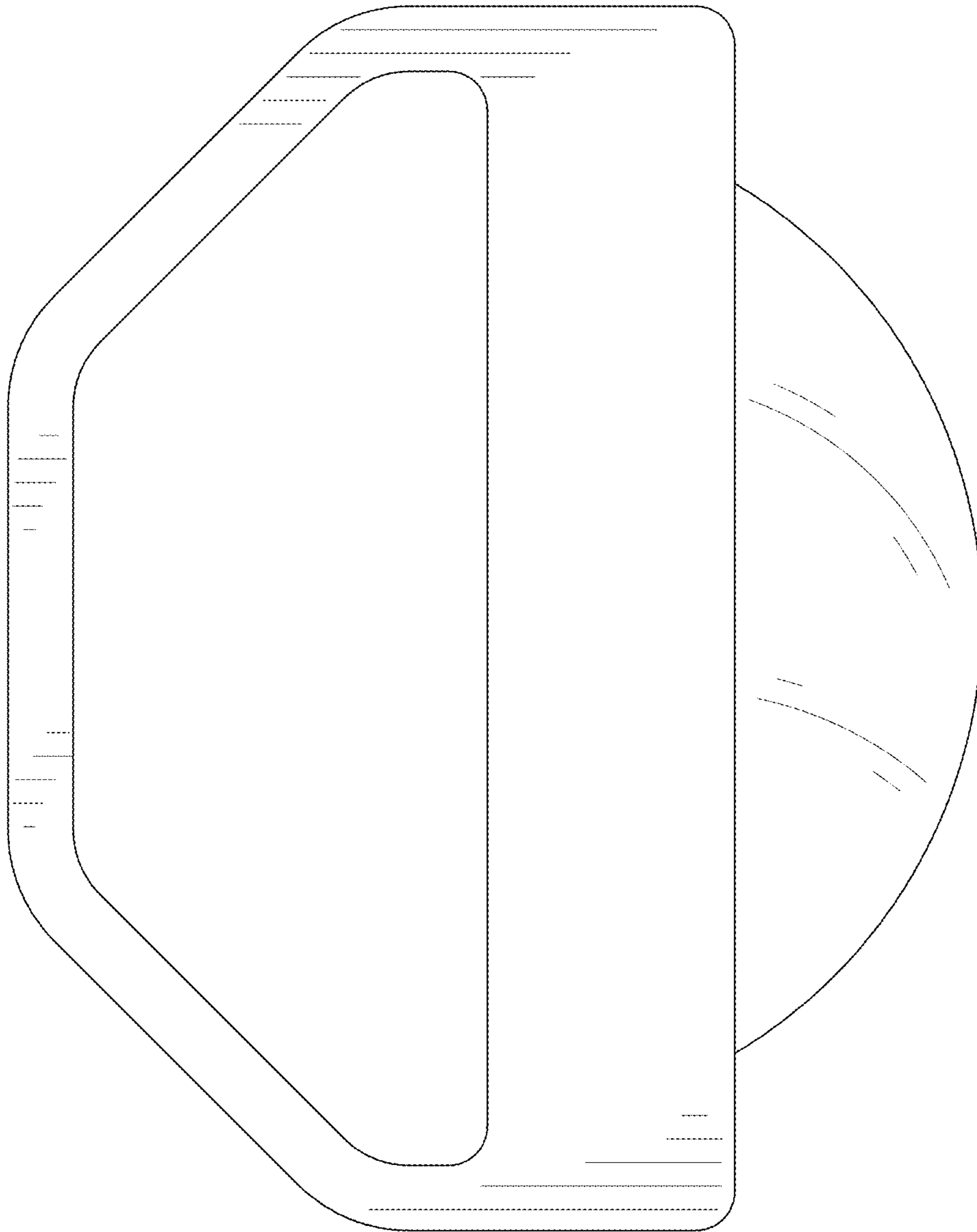


FIG. 5

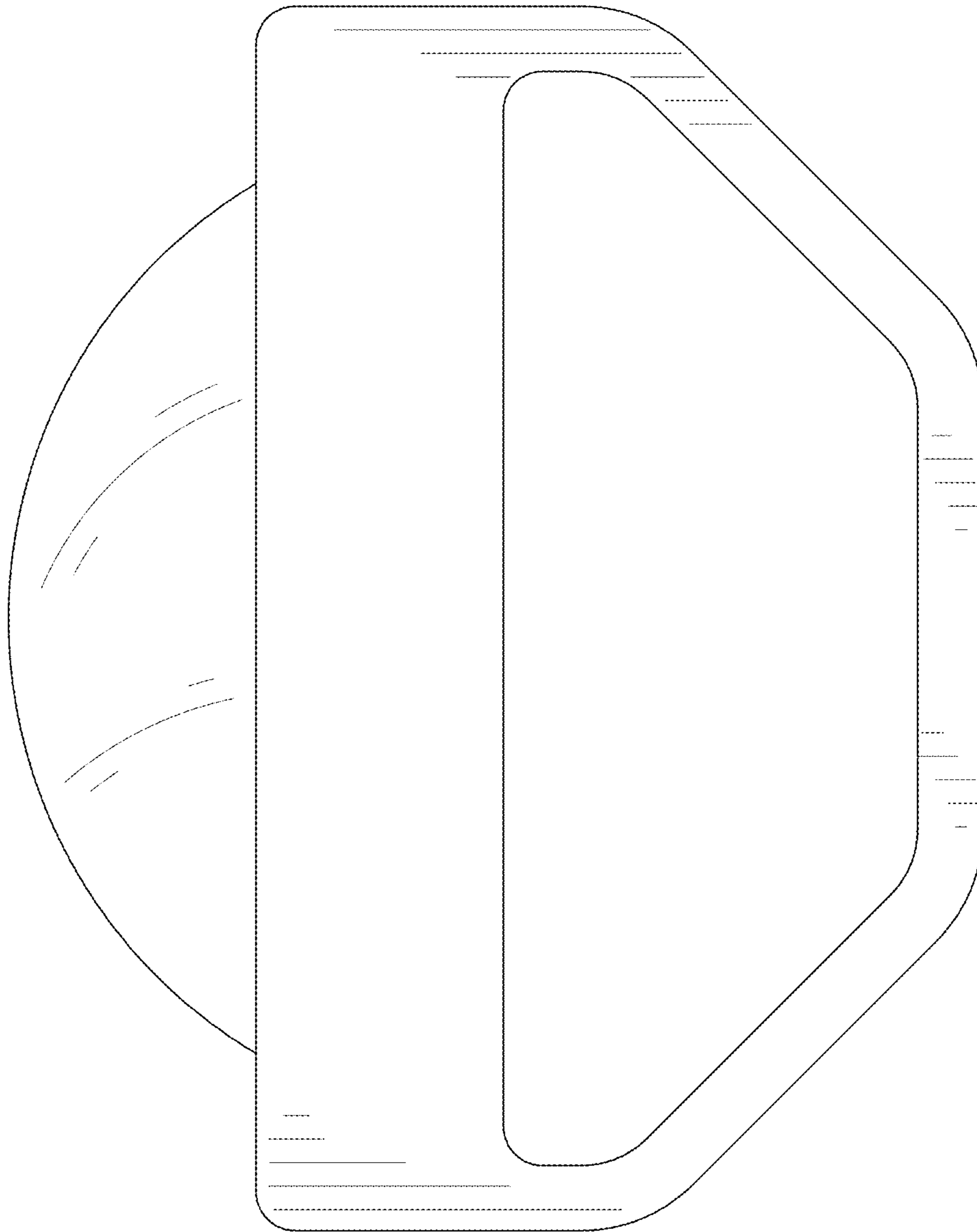


FIG. 6

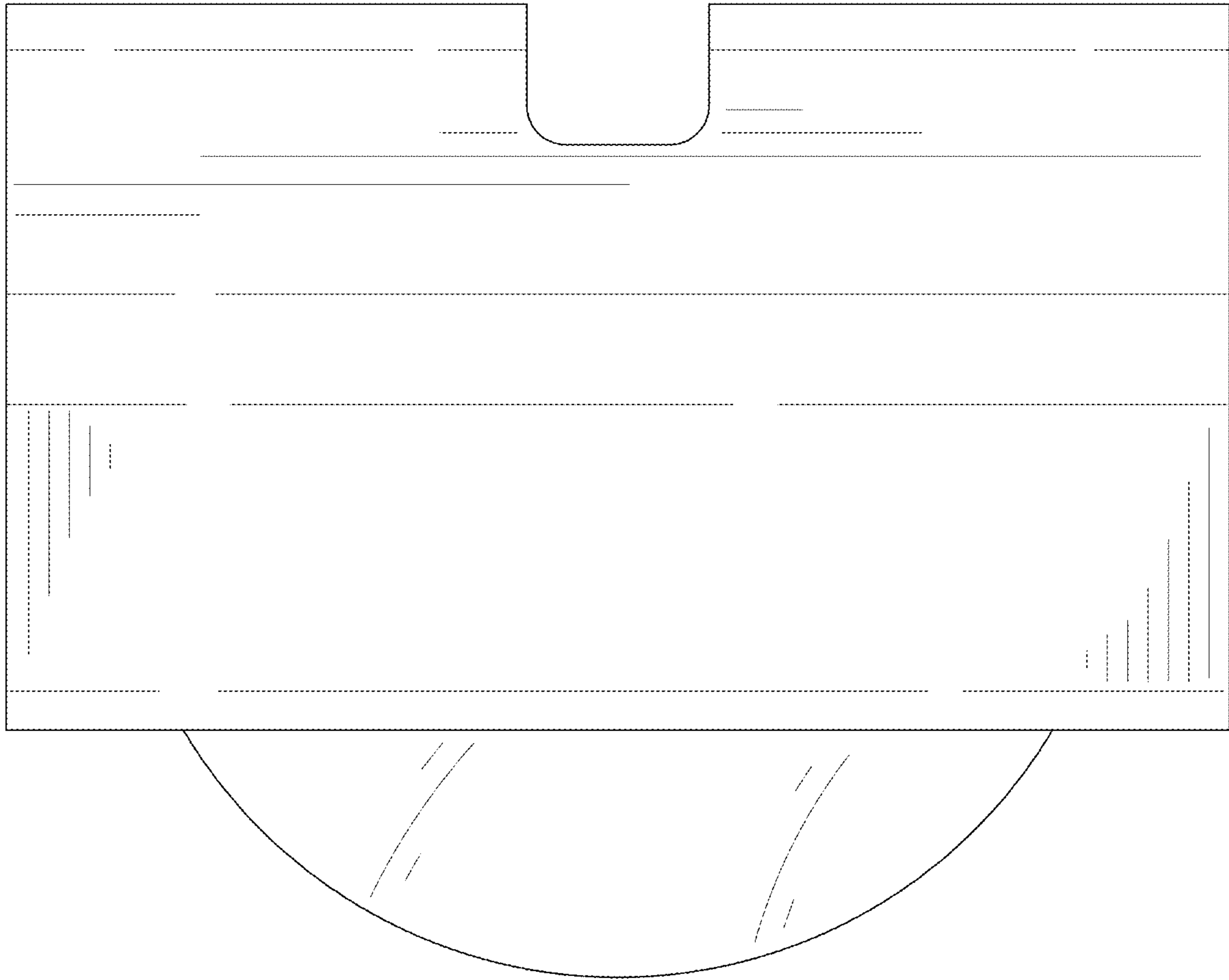


FIG. 7

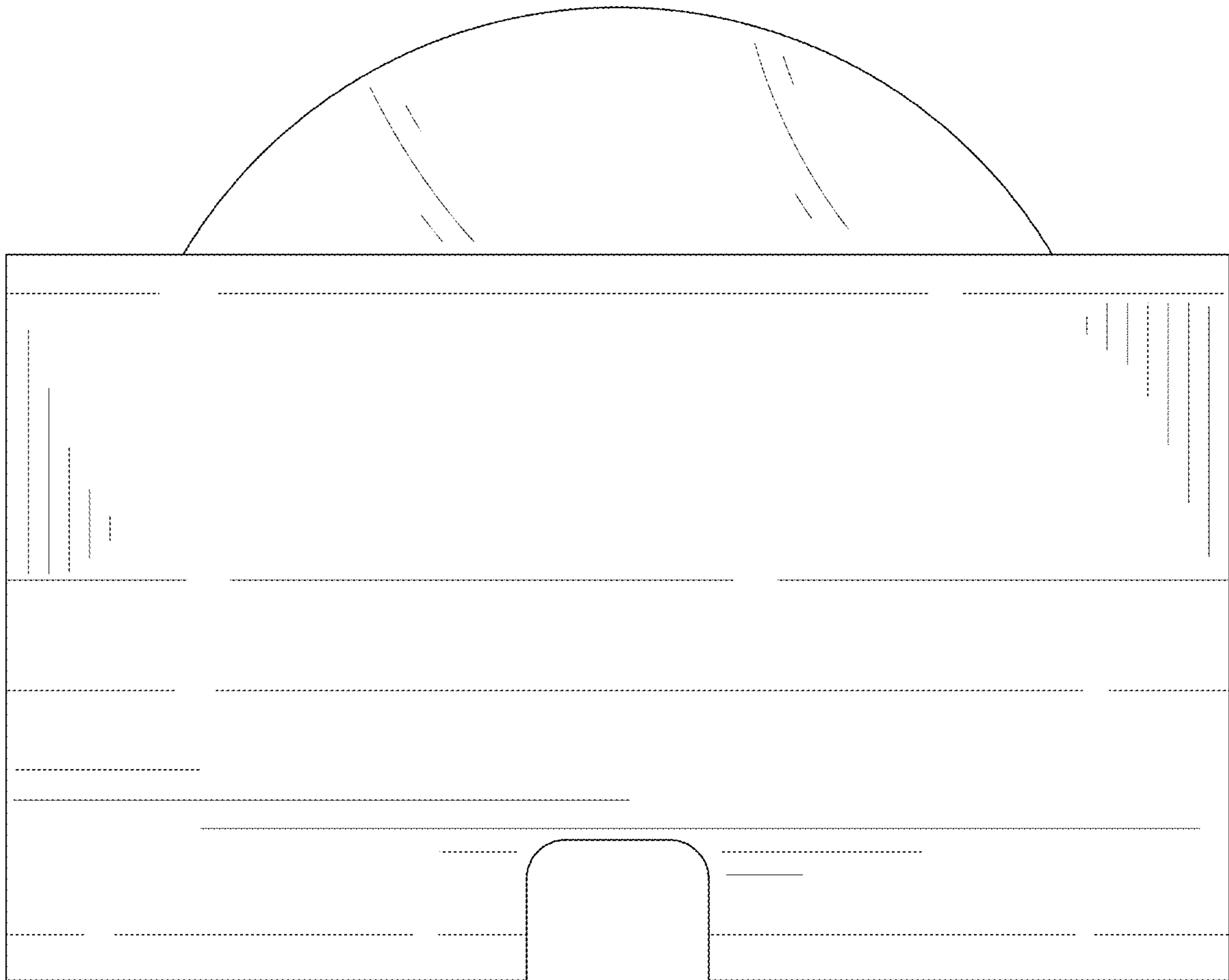


FIG. 8