



US00D946811S

(12) **United States Design Patent** (10) **Patent No.:** **US D946,811 S**
Ye (45) **Date of Patent:** **** Mar. 22, 2022**

(54) **NIGHT LIGHT**

(71) Applicant: **Xiamen Ruiyi Electronic Technology Co., Ltd.**, Xiamen (CN)

(72) Inventor: **Haitao Ye**, Xiamen (CN)

(73) Assignee: **XIAMEN RUIYI ELECTRONIC TECHNOLOGY CO., LTD.**, Xiamen (CN)

(**) Term: **15 Years**

(21) Appl. No.: **29/769,732**

(22) Filed: **Feb. 8, 2021**

(51) **LOC (13) Cl.** **26-05**

(52) **U.S. Cl.**
USPC **D26/104**

(58) **Field of Classification Search**

USPC D26/1, 24, 26, 60, 93, 104, 106, 110,
D26/118, 123, 124, 137; D14/172, 188,
D14/506, 507, 509

CPC F21S 6/00; F21S 6/002; F21S 6/003; F21S
6/006; F21S 8/00; F21S 8/02; F21S 8/03;
F21S 8/04; F21S 9/02; F21S 9/03; F21S
9/022; F21V 21/08; F21V 21/092; F21V
21/095; F21W 2131/30; F21W 2131/302

See application file for complete search history.

(56) **References Cited**

U.S. PATENT DOCUMENTS

D412,040 S * 7/1999 Hudak D26/85
D564,697 S * 3/2008 Akinrele D26/118

D569,030 S * 5/2008 Lee D26/85
D612,522 S * 3/2010 Howard D26/26
D617,491 S * 6/2010 Dordoni D26/85
D617,492 S * 6/2010 Dordoni D26/85
D642,709 S 8/2011 Kang
D646,006 S * 9/2011 Stolte D26/26
D690,455 S * 9/2013 Hagenauer D26/93
D858,861 S * 9/2019 Lin D26/108
D902,471 S 11/2020 Canizares et al.
D918,456 S * 5/2021 Hillyard D26/85

* cited by examiner

Primary Examiner — Wan Laymon
Assistant Examiner — Clint A Samuel

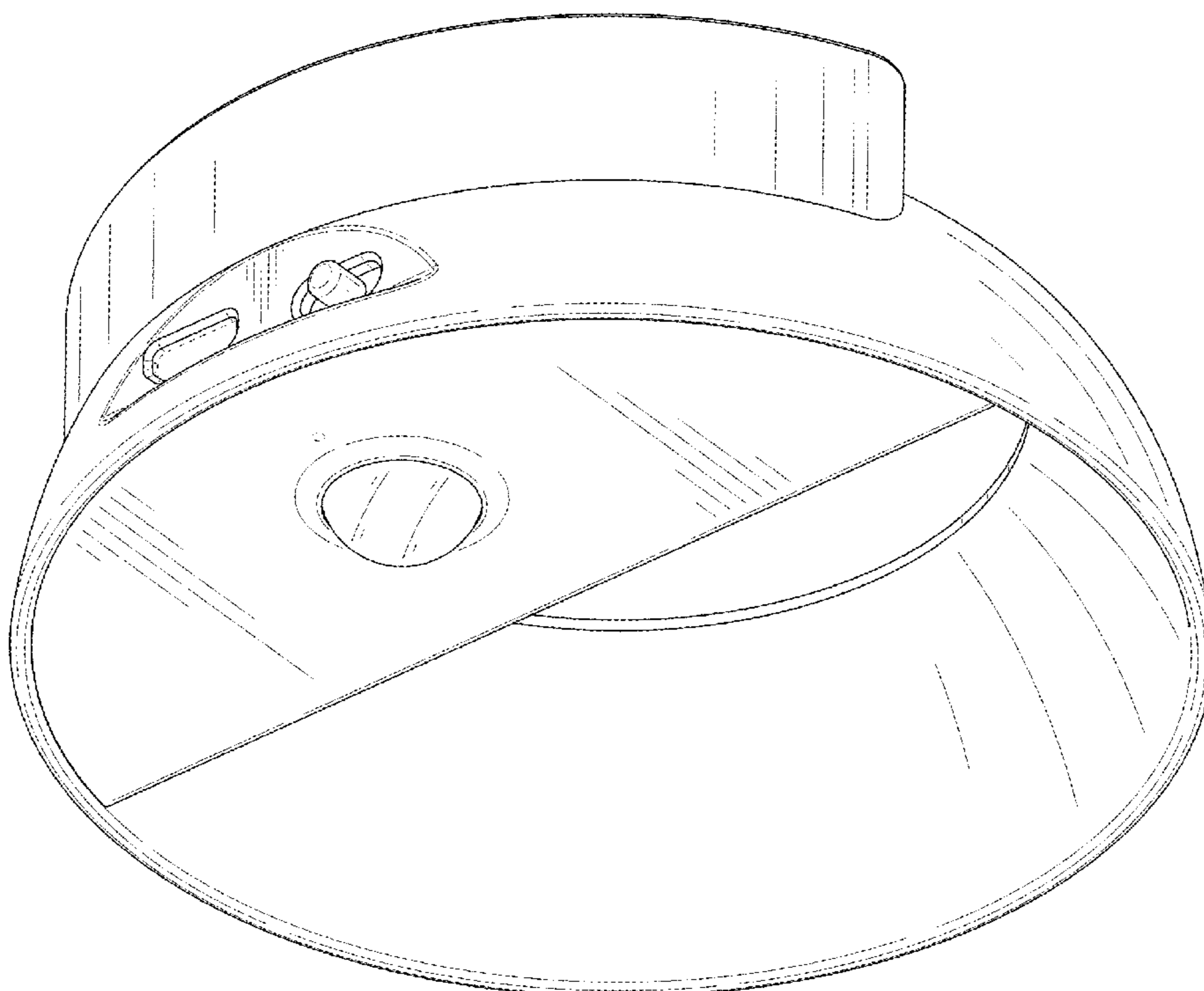
(57) **CLAIM**

The ornamental design for a night light, as shown and described.

DESCRIPTION

FIG. 1 is a perspective view of a night light showing my new design;
FIG. 2 is another perspective view thereof;
FIG. 3 is a front elevational view thereof;
FIG. 4 is a rear elevational view thereof;
FIG. 5 is a left side elevational view thereof;
FIG. 6 is a right side elevational view thereof;
FIG. 7 is a top plan view thereof; and,
FIG. 8 is a bottom plan view thereof.
The broken lines in the drawings are for the purpose of illustrating portions of the night light that form no part of the claimed design.

1 Claim, 8 Drawing Sheets



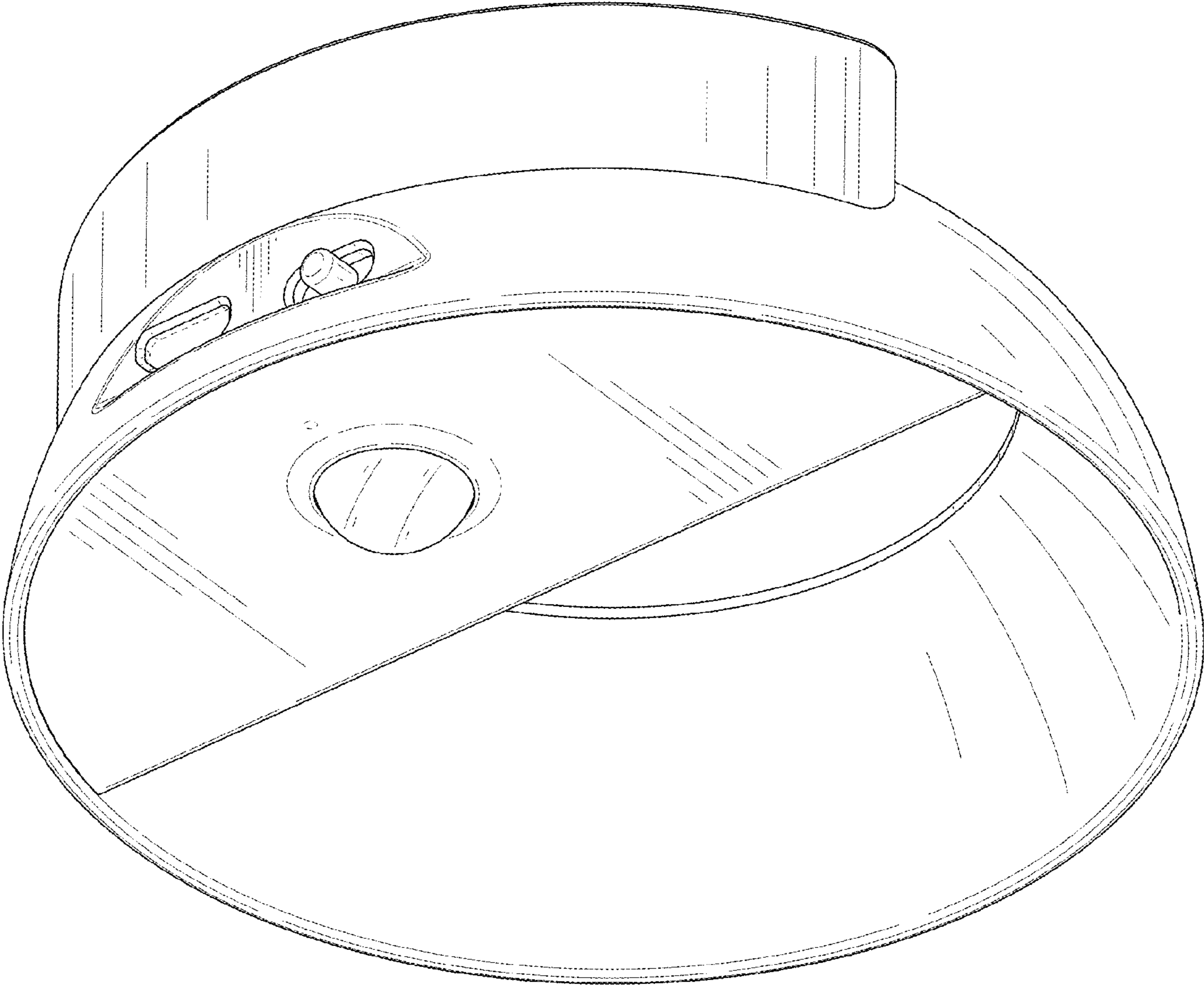


FIG. 1

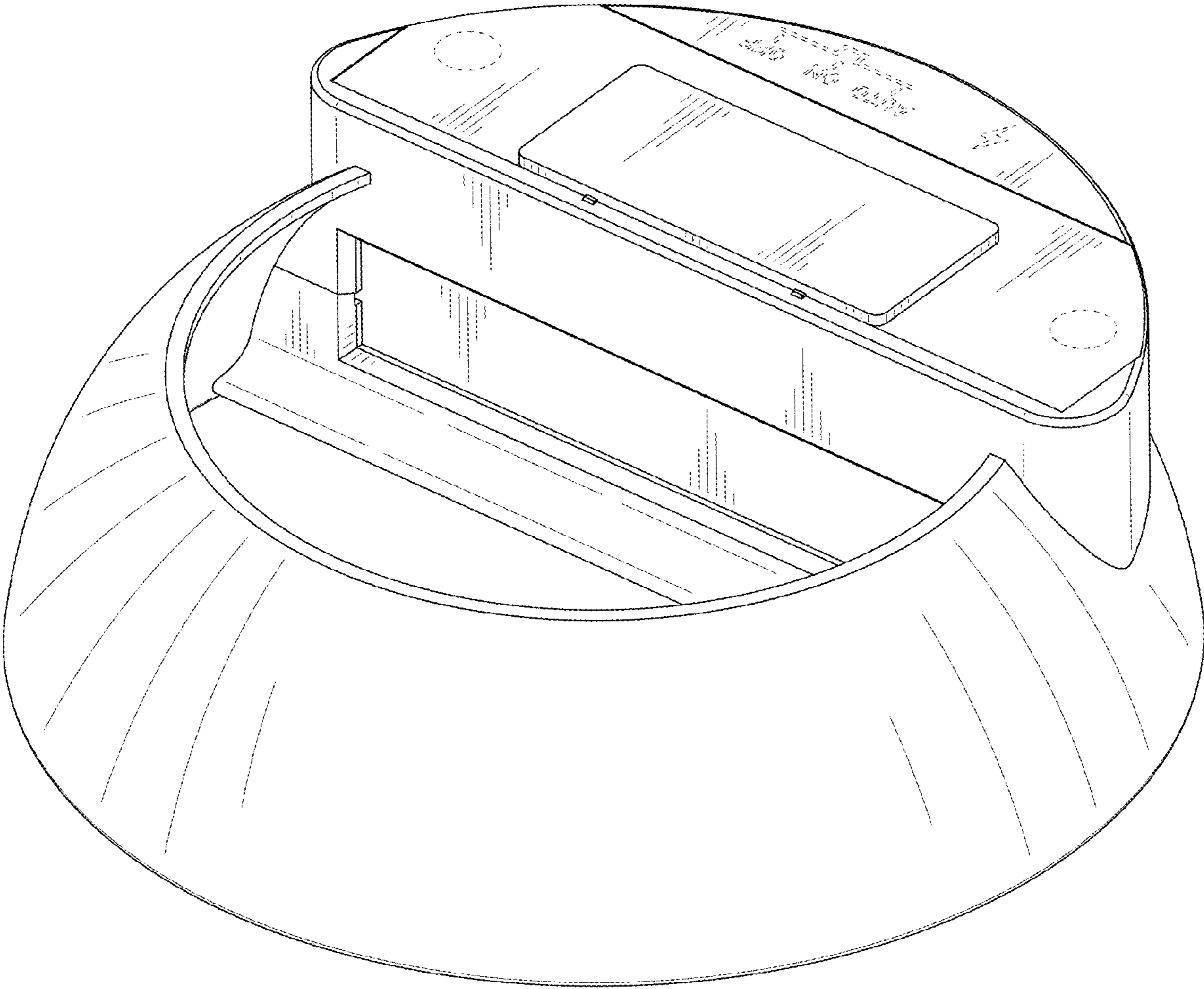


FIG. 2

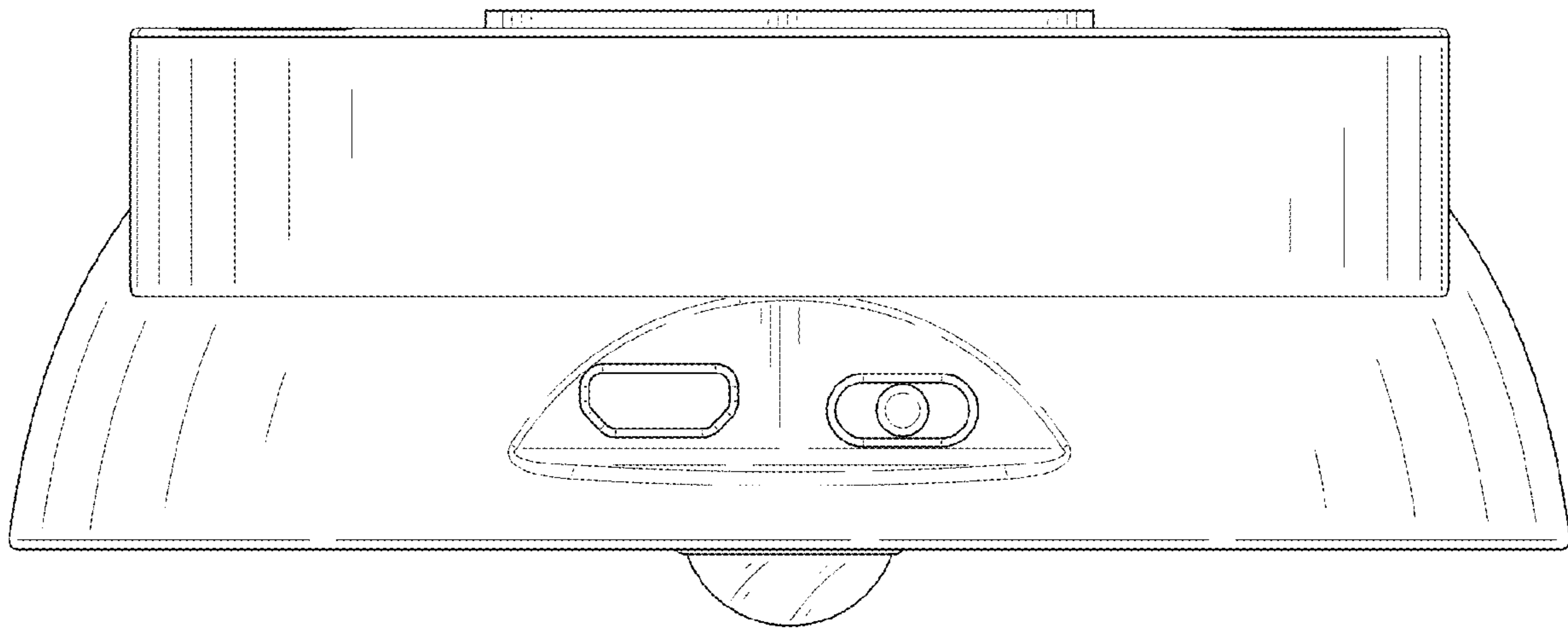


FIG. 3

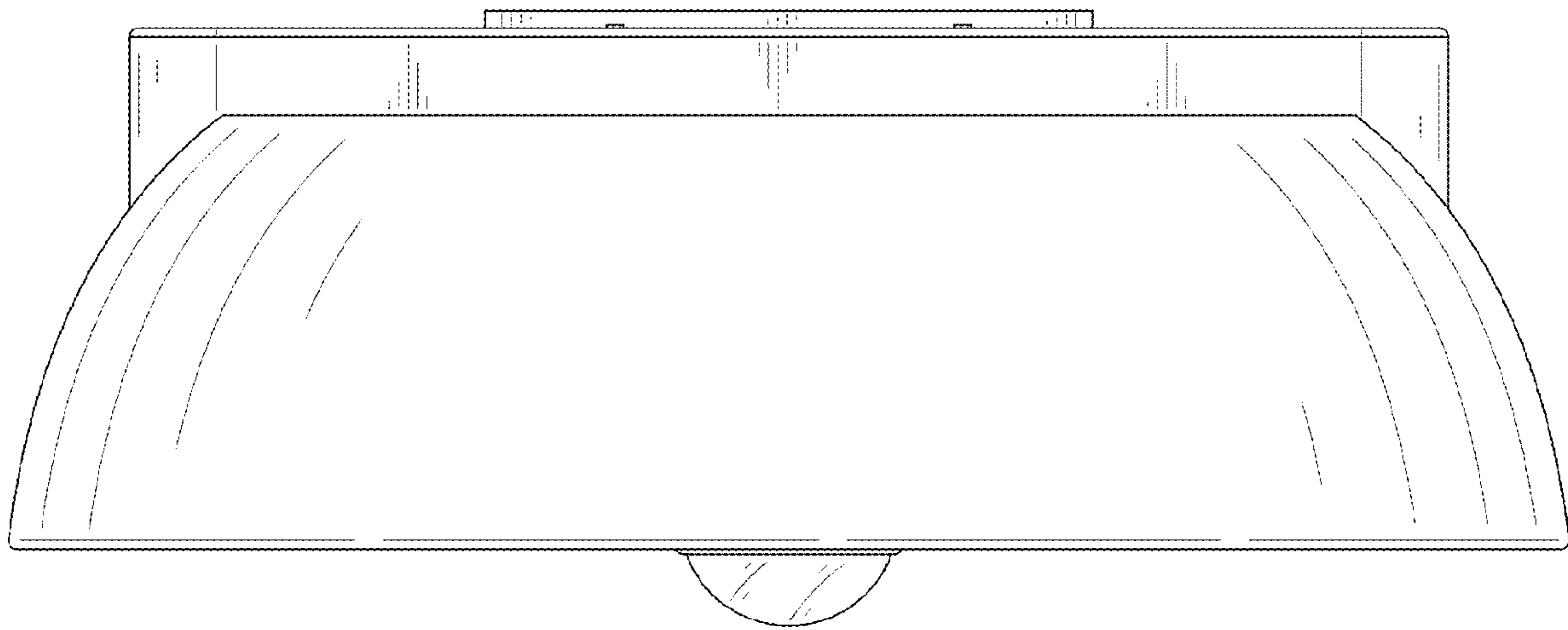


FIG. 4

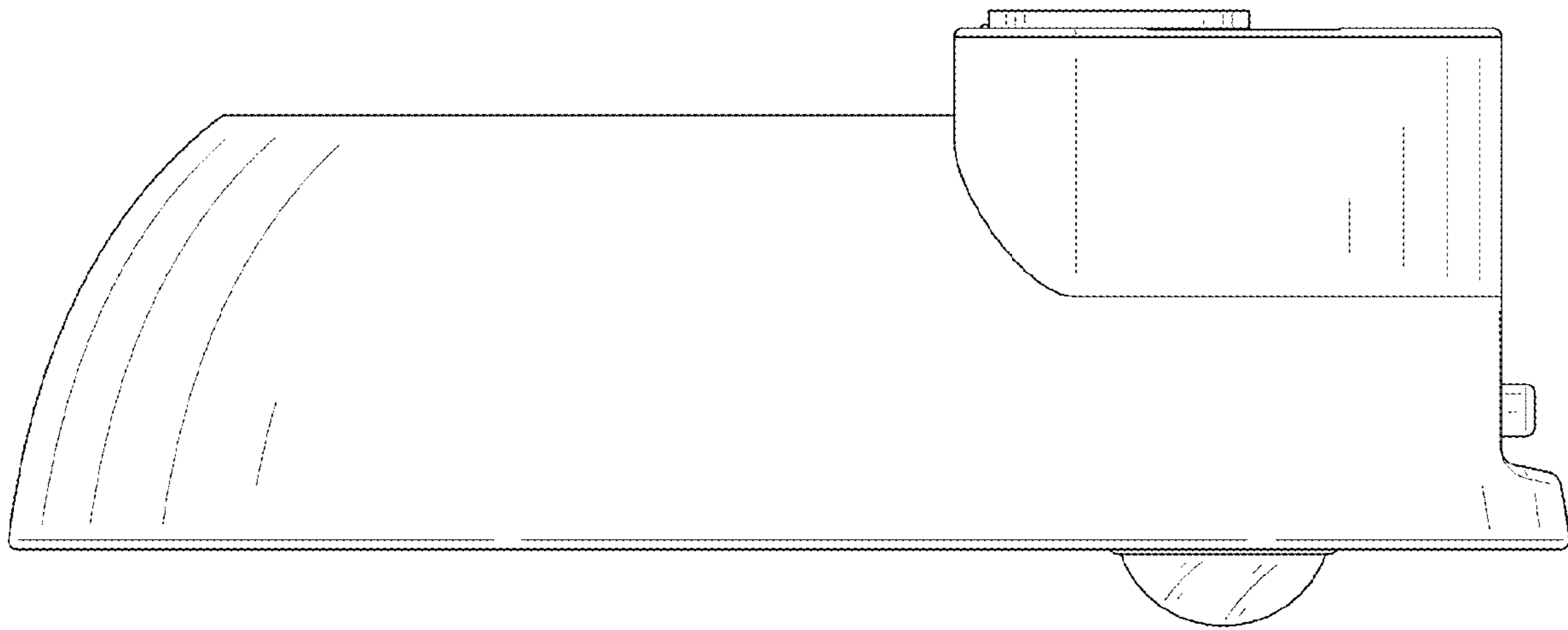


FIG. 5

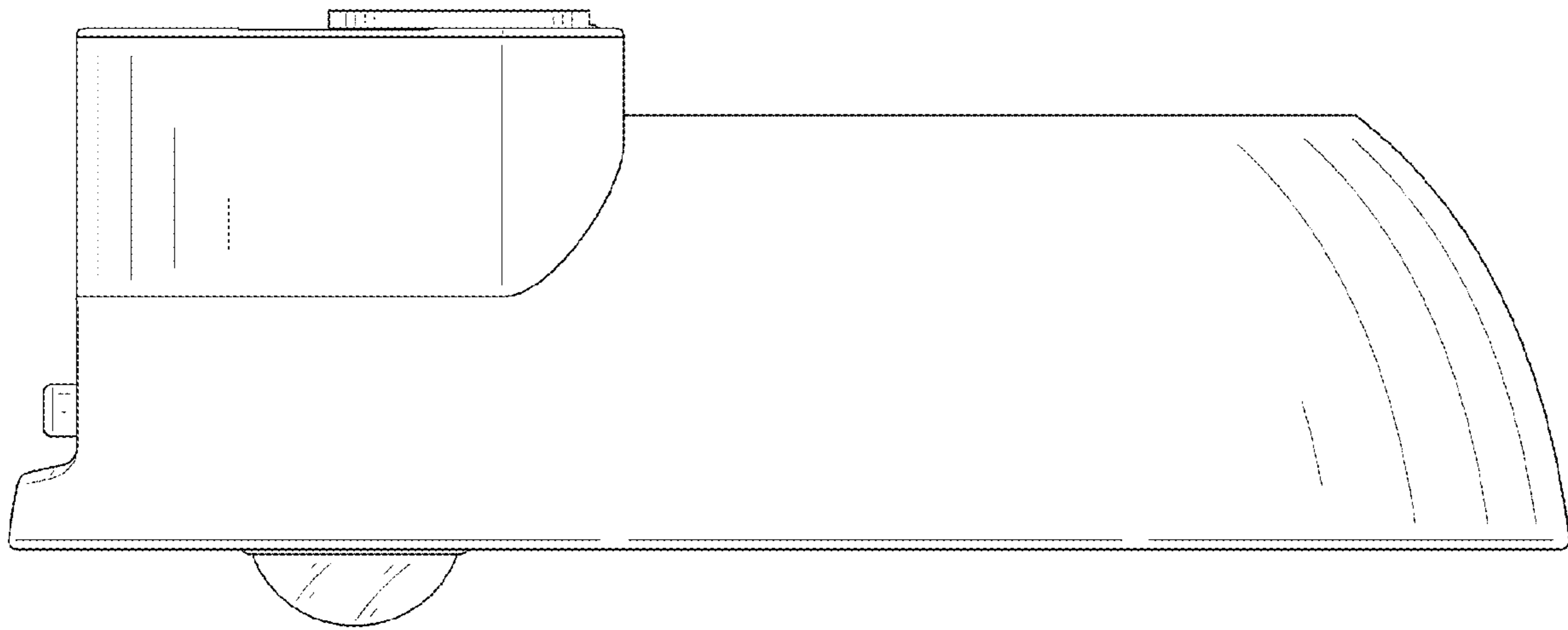


FIG. 6

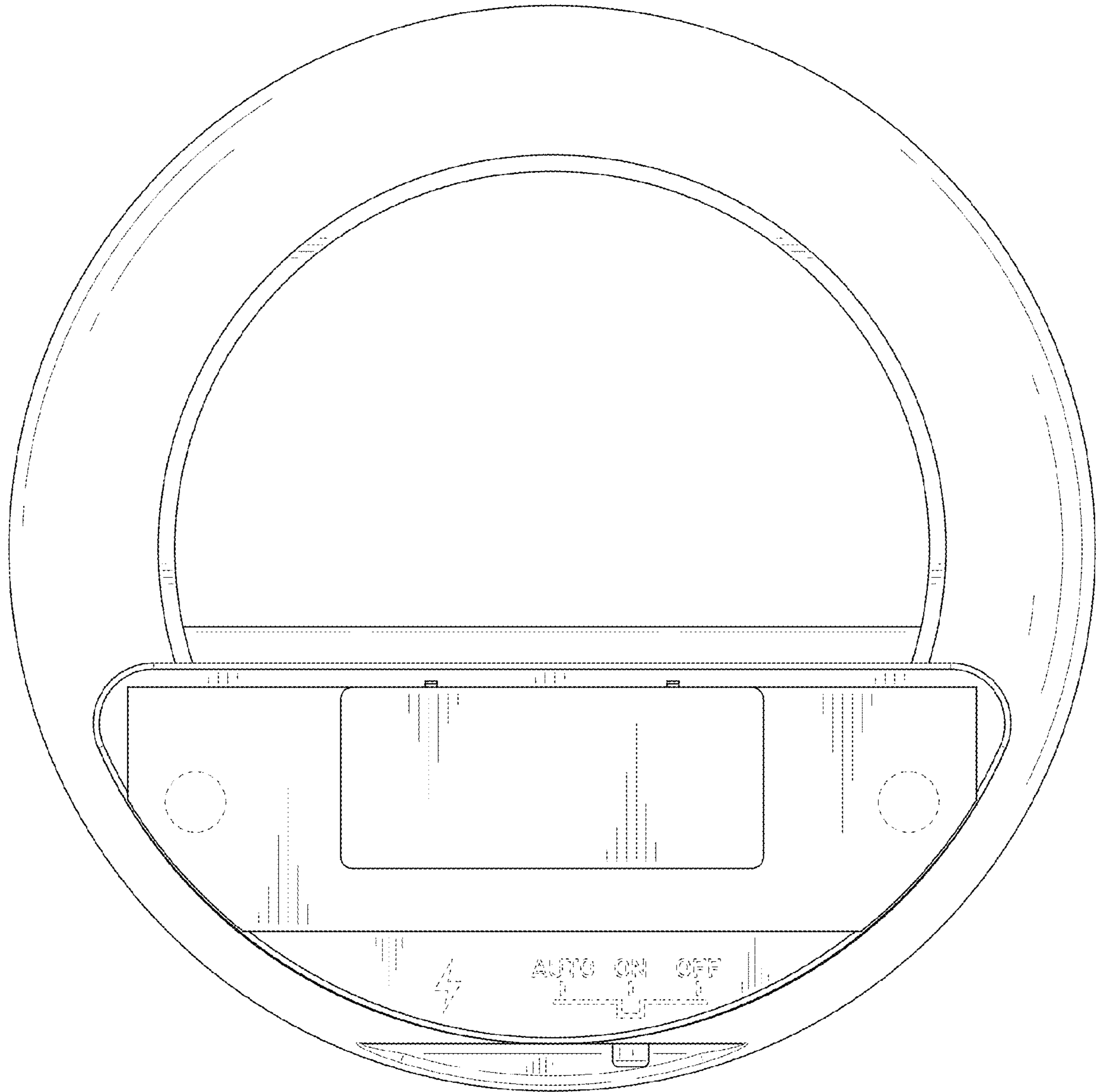


FIG. 7

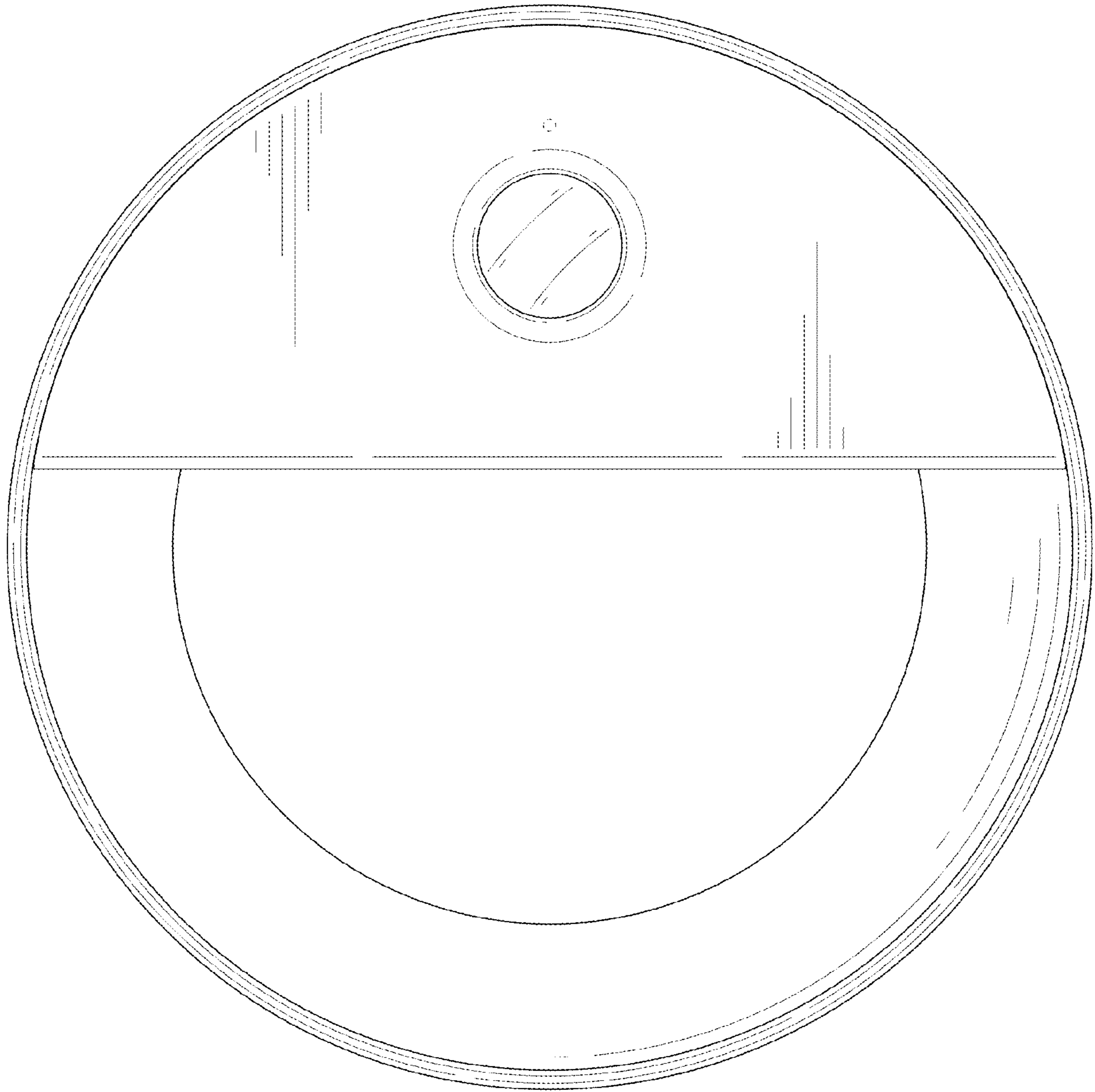


FIG. 8