

US00D946809S

(12) **United States Design Patent**
Mei

(10) **Patent No.:** **US D946,809 S**

(45) **Date of Patent:** **** Mar. 22, 2022**

(54) **LAMP**

D926,349 S * 7/2021 Lin D26/86
D934,485 S * 10/2021 Ou D26/80
D934,486 S * 10/2021 Ou D26/80

(71) Applicant: **Zhilu Mei**, Hubei (CN)

(72) Inventor: **Zhilu Mei**, Hubei (CN)

(**) Term: **15 Years**

(21) Appl. No.: **29/780,212**

(22) Filed: **Apr. 23, 2021**

(51) **LOC (13) Cl.** **26-03**

(52) **U.S. Cl.**
USPC **D26/86; D26/87**

(58) **Field of Classification Search**
USPC D26/72, 80, 84-88, 92
CPC .. F21S 8/033; F21S 8/035; F21S 8/036; F21S
8/046

See application file for complete search history.

(56) **References Cited**

U.S. PATENT DOCUMENTS

D642,727 S *	8/2011	van den Akker	D26/85
D758,635 S *	6/2016	Fioravanti	D26/85
D816,882 S *	5/2018	Qiao	D26/86
D822,233 S	7/2018	Wang et al.		
D879,353 S *	3/2020	Lin	D26/87
D881,441 S *	4/2020	Van Den Akker	D26/87
D907,275 S *	1/2021	Chen	D26/86
D908,945 S *	1/2021	Zheng	D26/86
D915,657 S *	4/2021	Zheng	D26/86
D925,807 S *	7/2021	Chen	D26/87

OTHER PUBLICATIONS

Myhaptim Modern LED 3 Lights Vanity Light ASIN: B09HBDPR4S available from amazon.com Sep. 28, 2021. (Year: 2021).*

Aipsun 3 Light Modern Chrome Vanity Light Rotatable LED Bathroom Wall Light, ASIN: B094XV8L5M available from amazon.com May 14, 2021. (Year: 2021).*

* cited by examiner

Primary Examiner — Clare E Heflin

(57) **CLAIM**

The ornamental design for a lamp, as shown and described.

DESCRIPTION

FIG. 1 is a front and top perspective view of a lamp, showing my new design;

FIG. 2 is a rear and bottom perspective view thereof;

FIG. 3 is a front elevation view thereof;

FIG. 4 is a rear elevation view thereof;

FIG. 5 is a left side elevation view thereof;

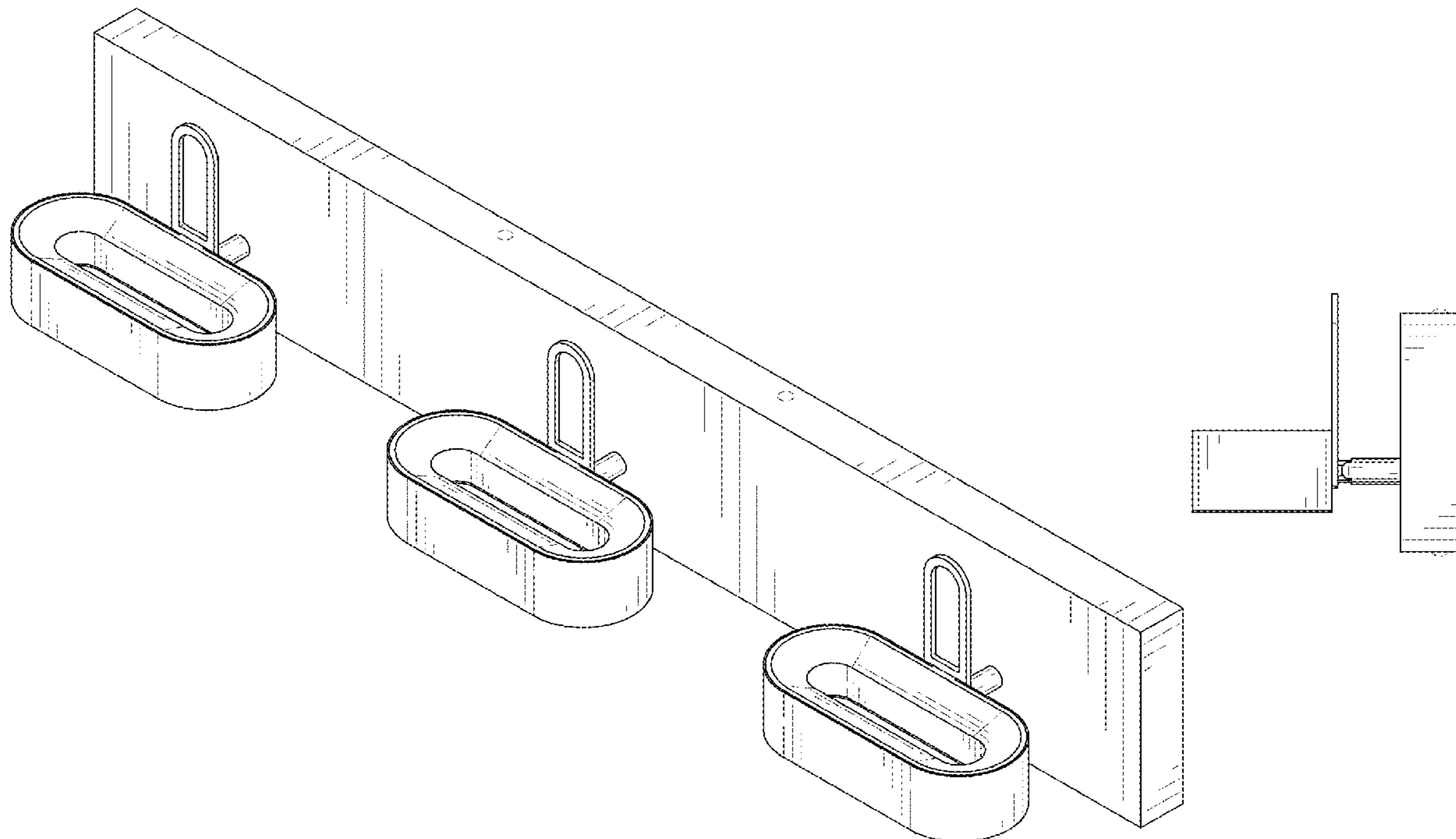
FIG. 6 is a right side elevation view thereof;

FIG. 7 is a top plan view thereof; and,

FIG. 8 is a bottom plan view thereof.

The dashed broken lines in the figures illustrate portions of the lamp that form no part of the claimed design.

1 Claim, 8 Drawing Sheets



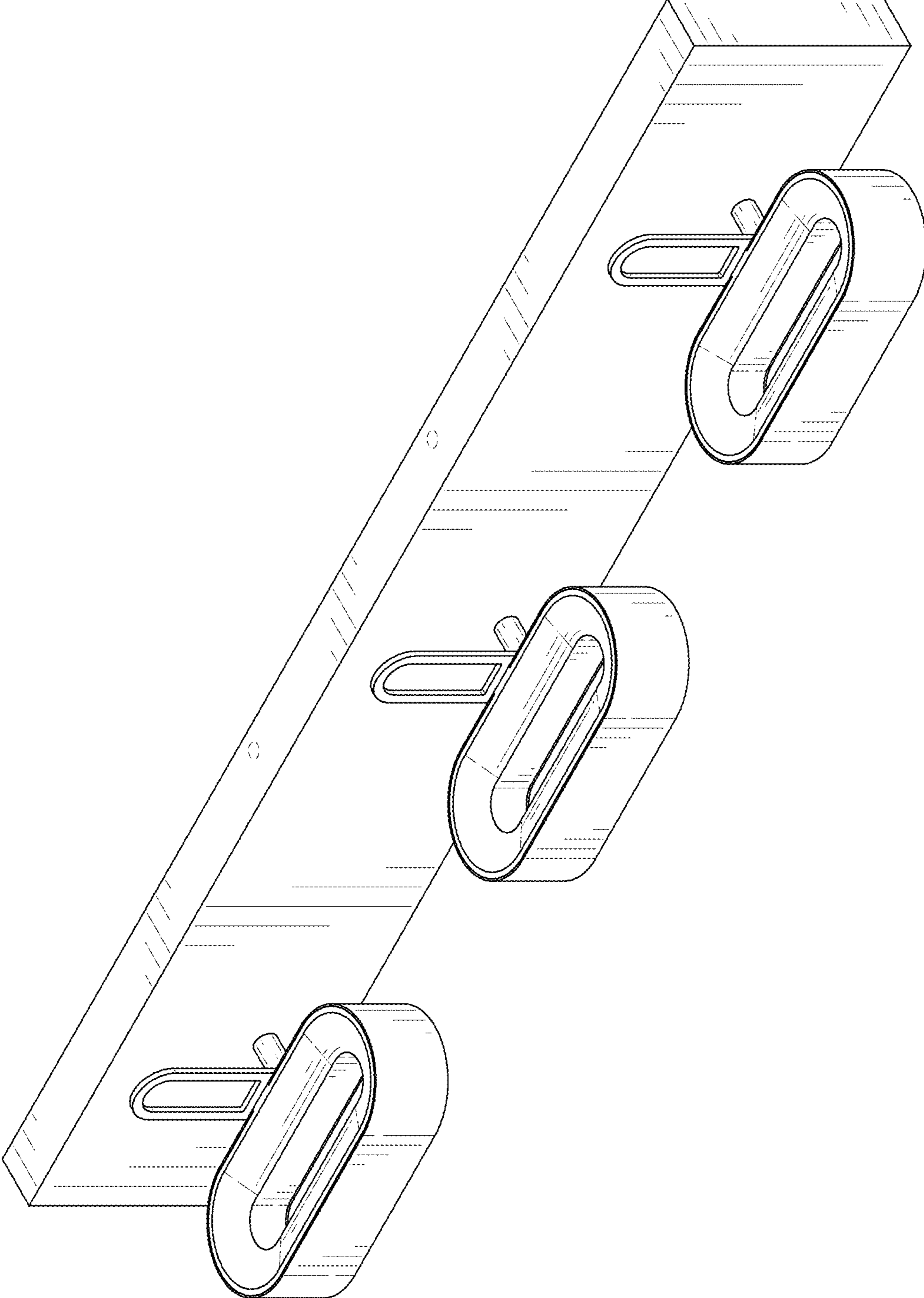


FIG. 1

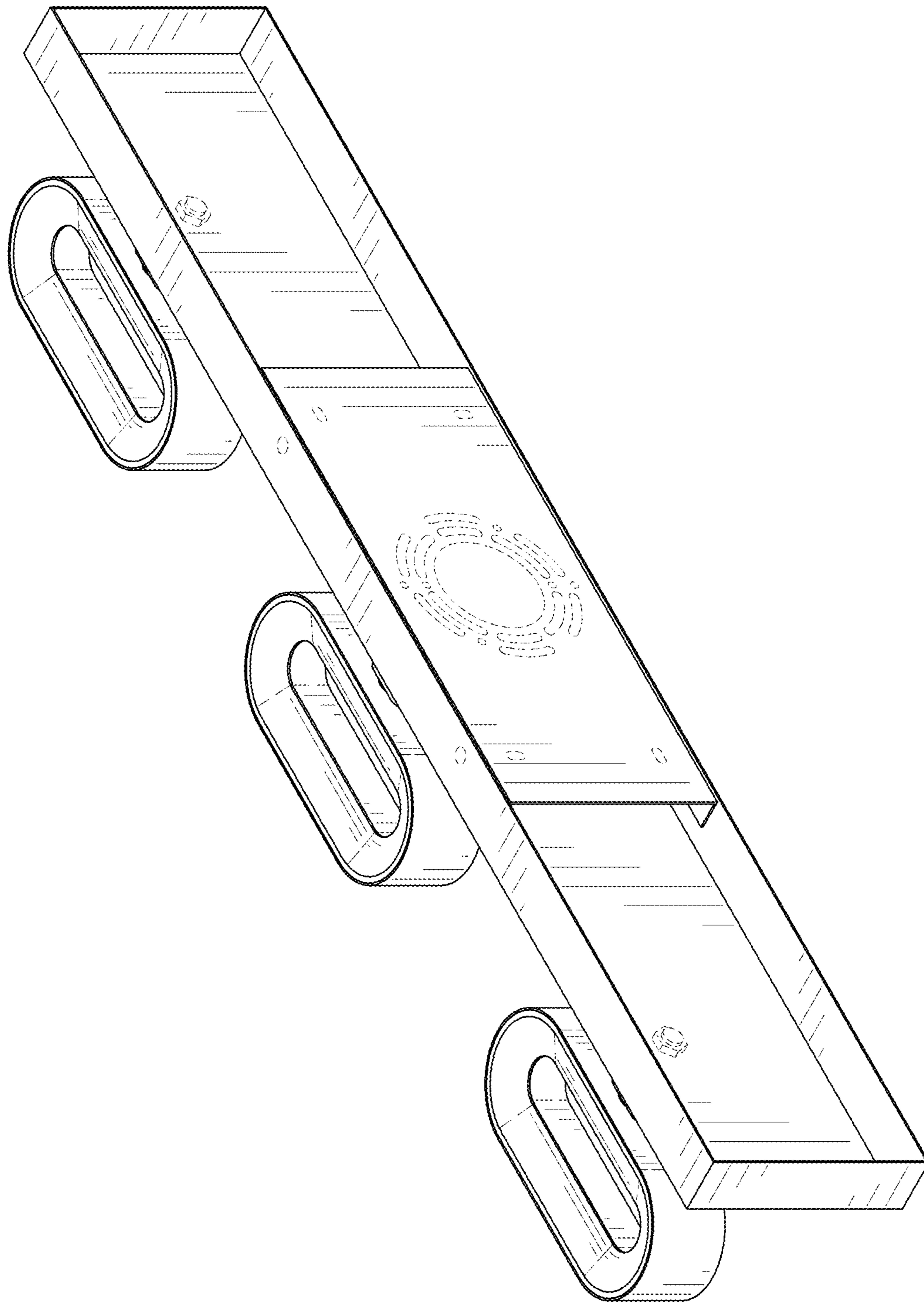


FIG. 2

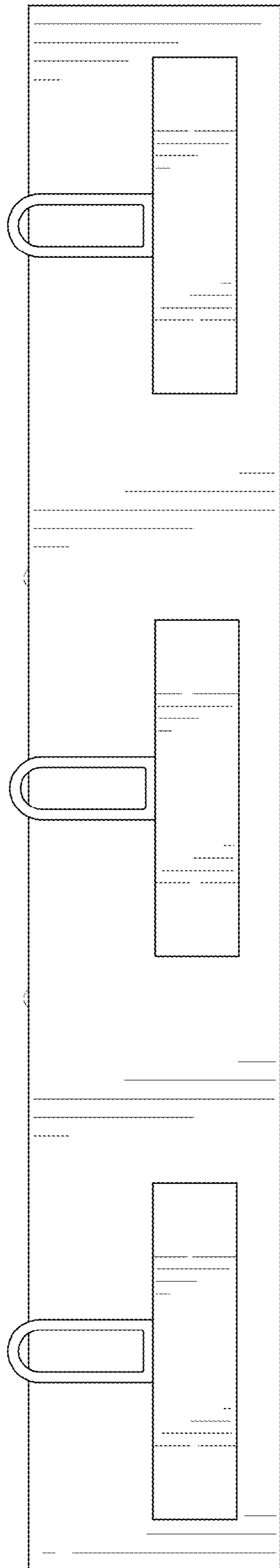


FIG. 3

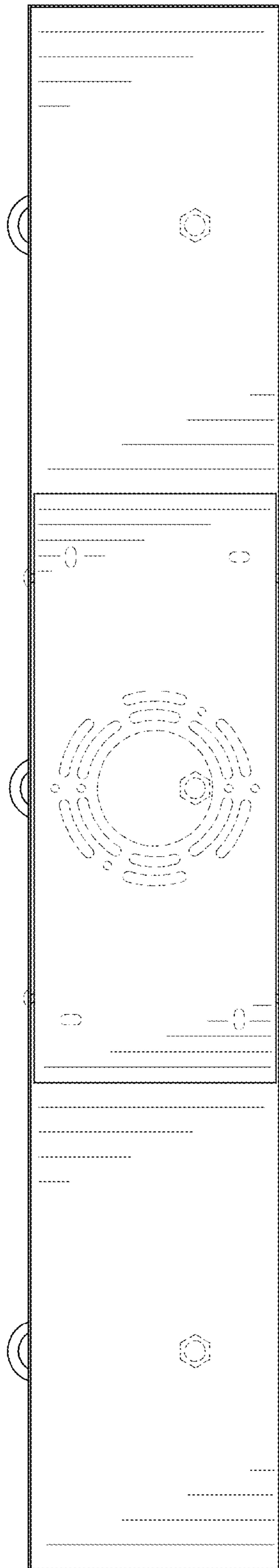


FIG. 4

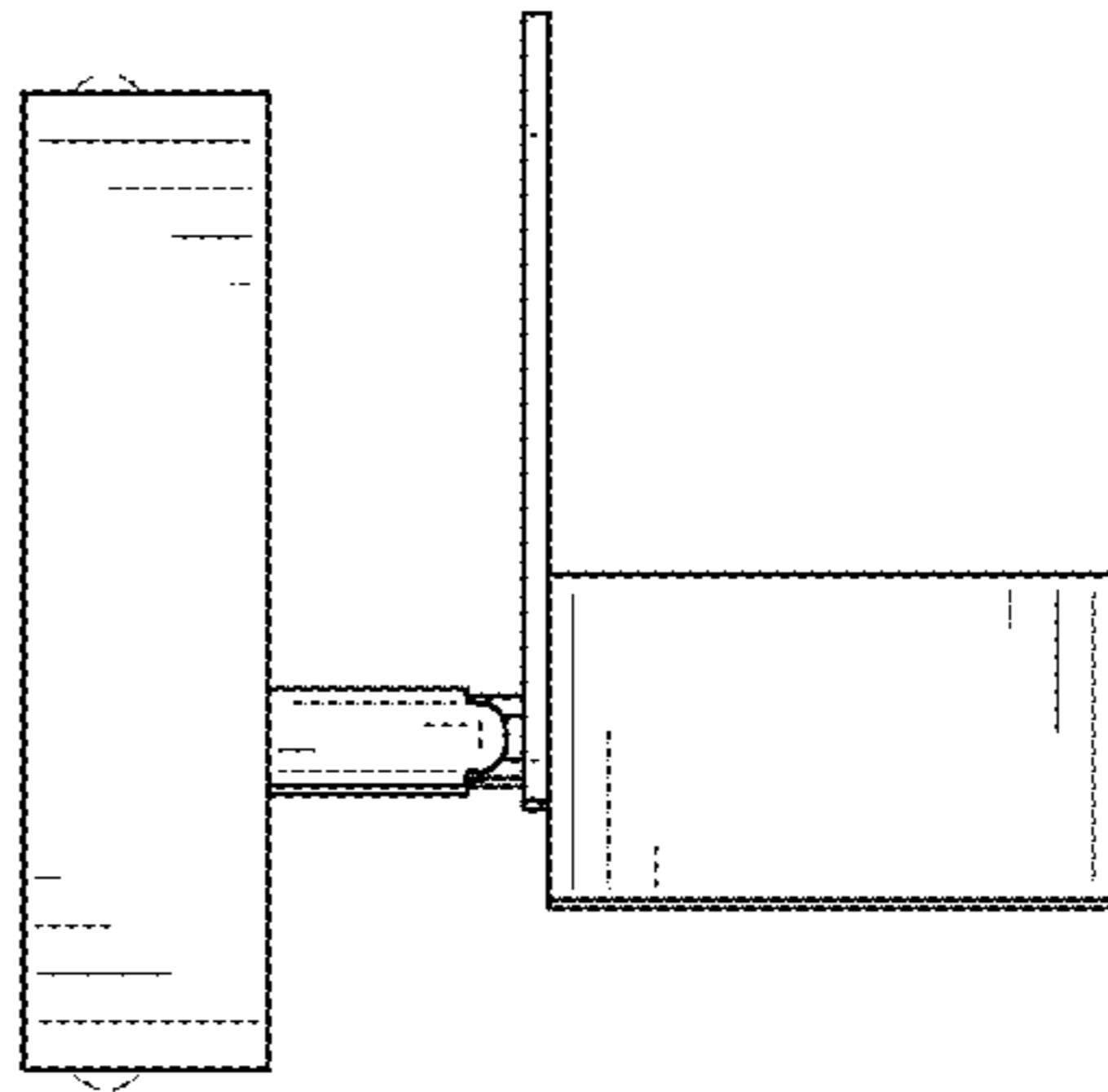


FIG. 5

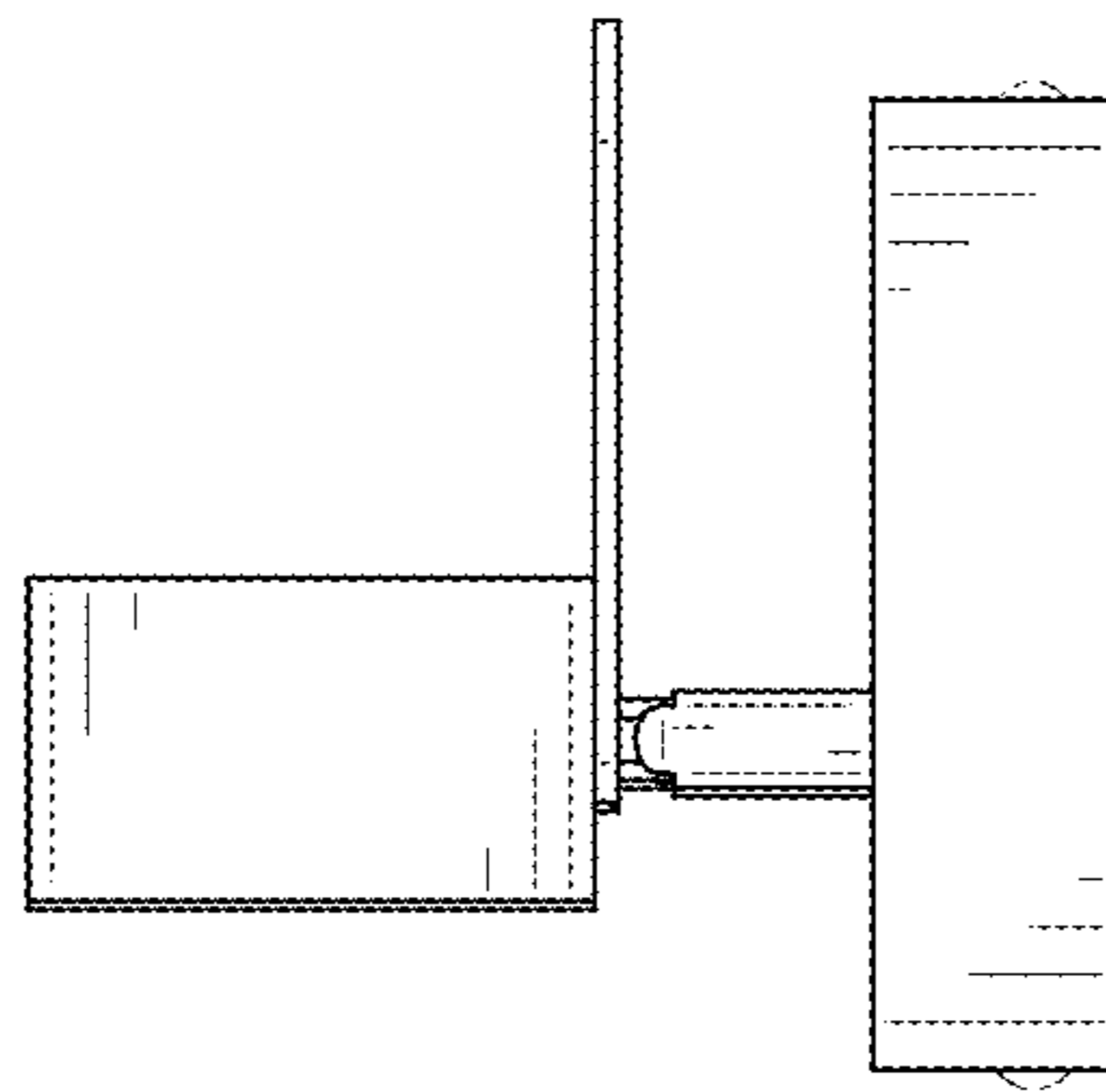


FIG. 6

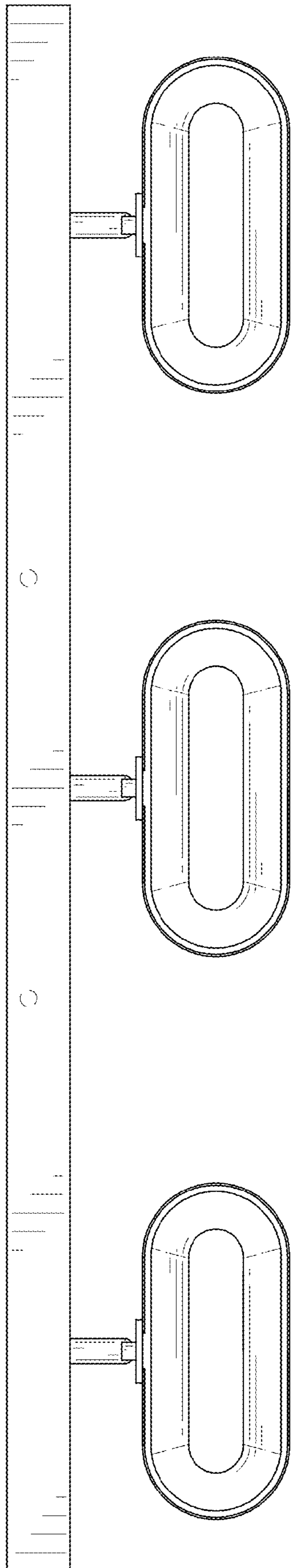


FIG. 7

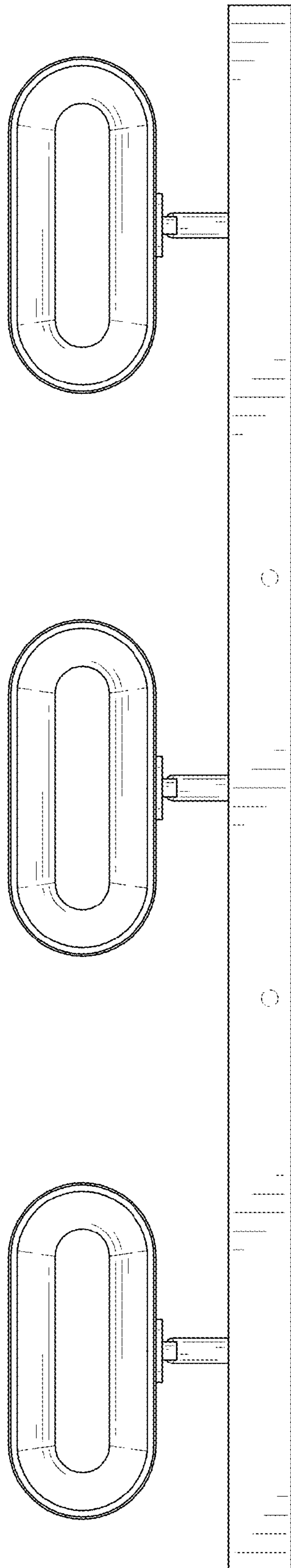


FIG. 8