



US00D946808S

(12) **United States Design Patent**
Georgiev

(10) **Patent No.:** **US D946,808 S**

(45) **Date of Patent:** **** Mar. 22, 2022**

(54) **ANGULAR LED LIGHT FIXTURE**

(71) Applicant: **LOTUS INVEST LTD.**, Courtenay (CA)

(72) Inventor: **Georgi Georgiev**, Courtenay (CA)

(73) Assignee: **Lotus Invest Ltd.**, Courtenay (CA)

(**) Term: **15 Years**

(21) Appl. No.: **29/761,262**

(22) Filed: **Dec. 8, 2020**

(30) **Foreign Application Priority Data**

Nov. 17, 2020 (CA) CA 199402

(51) **LOC (13) Cl.** **26-05**

(52) **U.S. Cl.**
USPC **D26/74**

(58) **Field of Classification Search**

USPC D26/74, 72, 75, 76, 77, 78, 85, 88, 89,
D26/118, 138, 141; 362/364, 365, 373,
362/145, 146, 147, 148, 150, 153, 153.1,
362/294, 296.01, 296.07, 296.08

CPC F21V 29/2262; F21V 7/06; F21V 21/044;
F21V 21/047; F21V 29/2212; F21V
29/2225; F21V 29/2256; F21V 29/225;
F21V 29/2268; F21Y 2111/002; F21S
8/02; F21S 8/026

See application file for complete search history.

(56) **References Cited**

U.S. PATENT DOCUMENTS

D326,536 S * 5/1992 Gattari D26/74
D383,565 S * 9/1997 Demshki, Jr D26/118

D544,625 S * 6/2007 Chen D26/61
D663,465 S * 7/2012 Couvreur D26/72
D698,070 S * 1/2014 Messisaen D26/74
D777,966 S * 1/2017 Jeswani D26/74
D777,967 S * 1/2017 Redfern D26/74
10,344,952 B2 7/2019 Georgiev
D905,322 S * 12/2020 Yu D26/113
D912,298 S * 3/2021 Leijh D26/74

* cited by examiner

Primary Examiner — Angela J Lee

(74) *Attorney, Agent, or Firm* — Finch & Maloney,
PLLC; Michael Bujold; Jay Franklin

(57) **CLAIM**

I claim the ornamental design for an angular LED light fixture, as shown and described.

DESCRIPTION

FIG. 1 is a perspective view of an angular LED light fixture. FIG. 2 is a right side elevation view of the angular LED light fixture of FIG. 1.

FIG. 3 is a left side elevation view of the angular LED light fixture of FIG. 1.

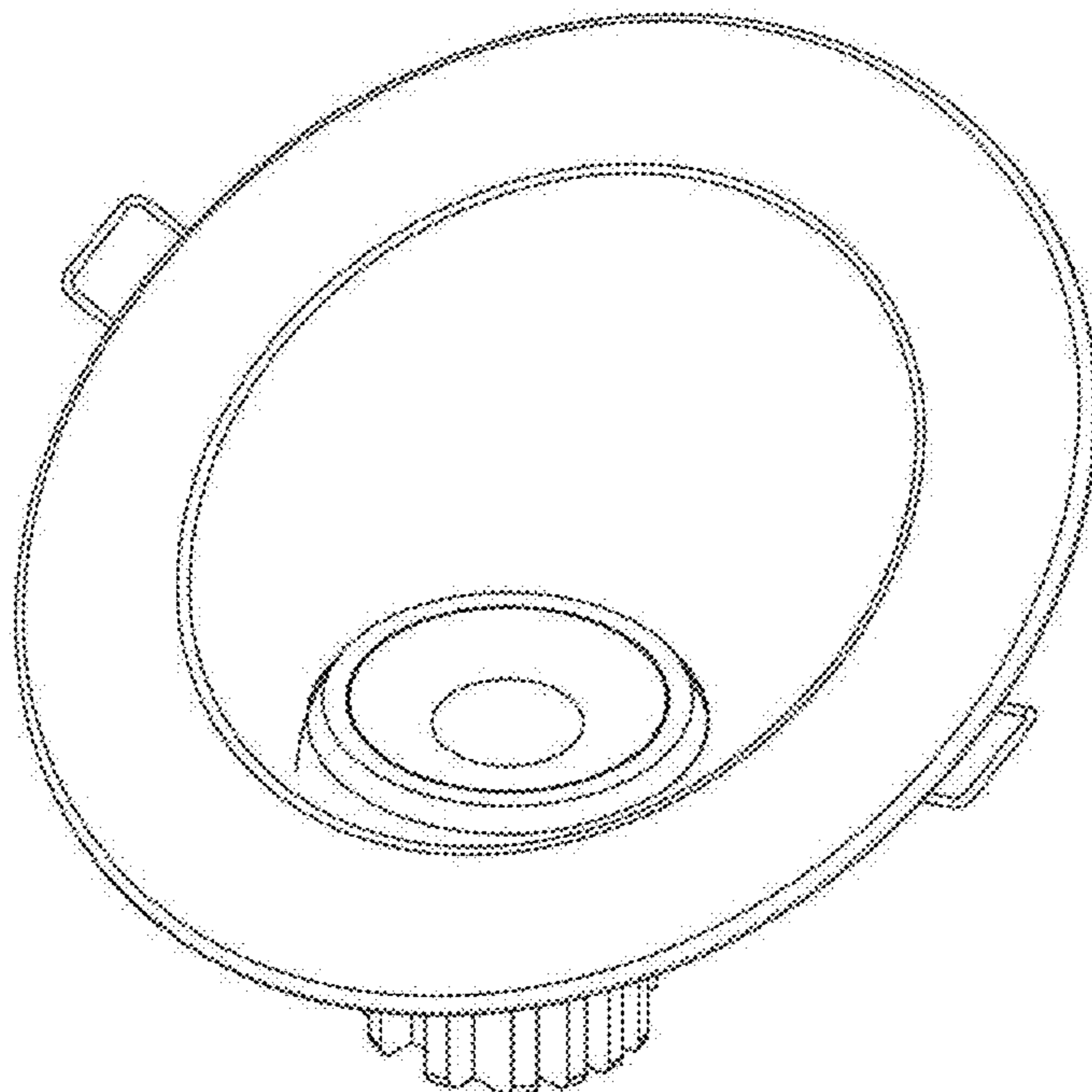
FIG. 4 is a front elevation view of the angular LED light fixture of FIG. 1

FIG. 5 is a rear elevation view of the angular LED light fixture of FIG. 1

FIG. 6 is a top plan view of the angular LED light fixture of FIG. 1; and,

FIG. 7 is a bottom plan view of the angular LED light fixture of FIG. 1.

1 Claim, 7 Drawing Sheets



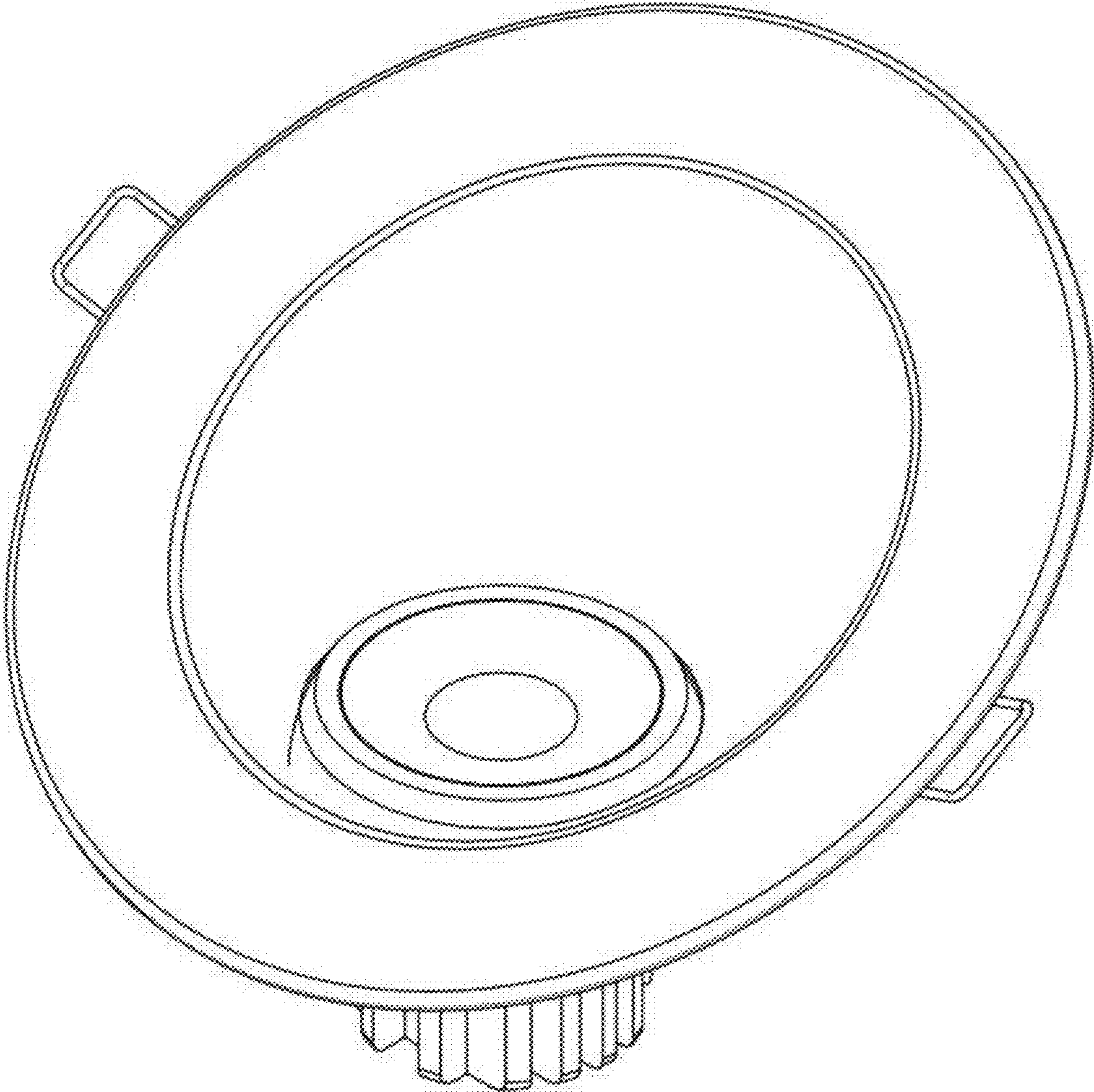


FIG. 1

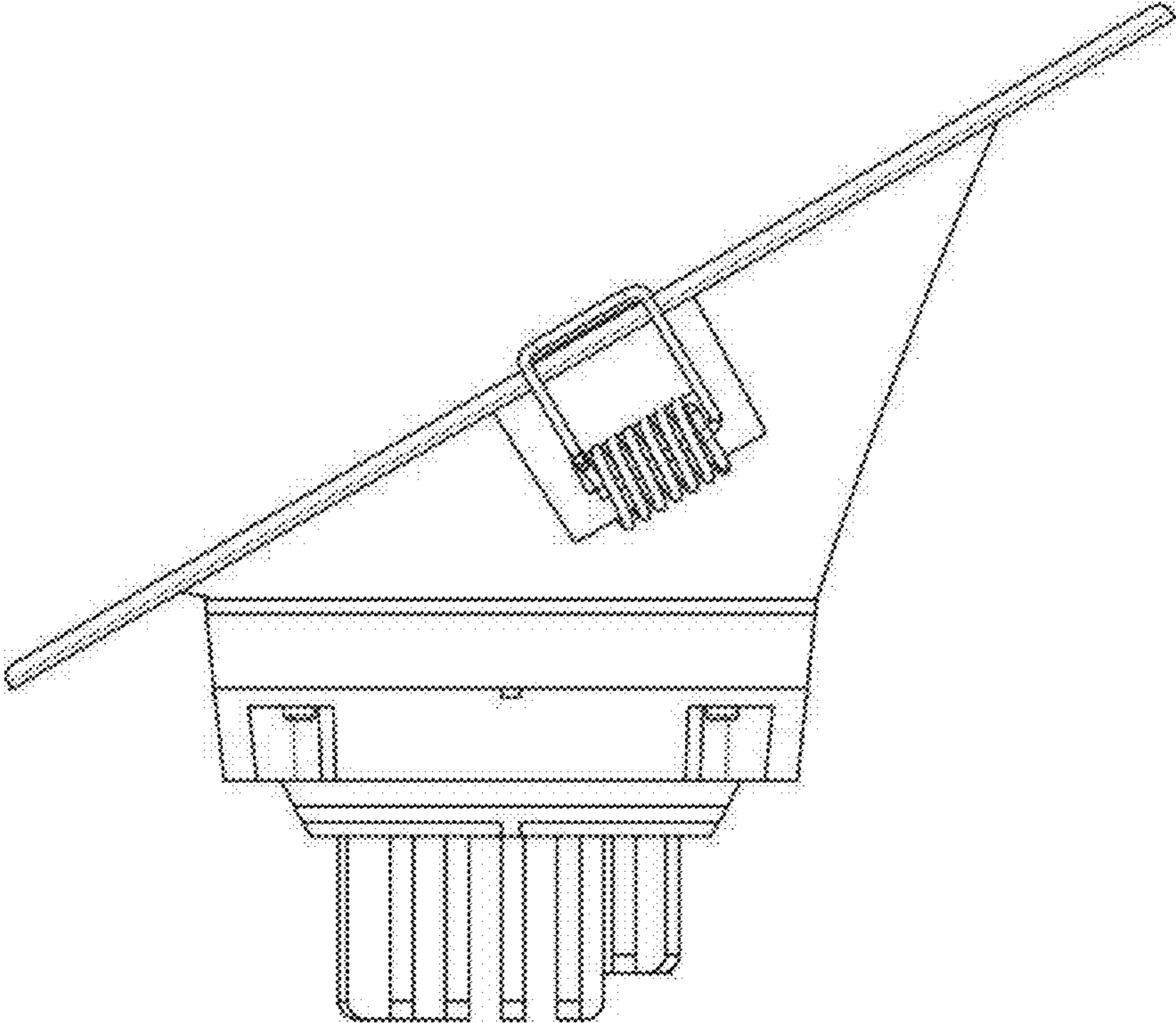


FIG 2

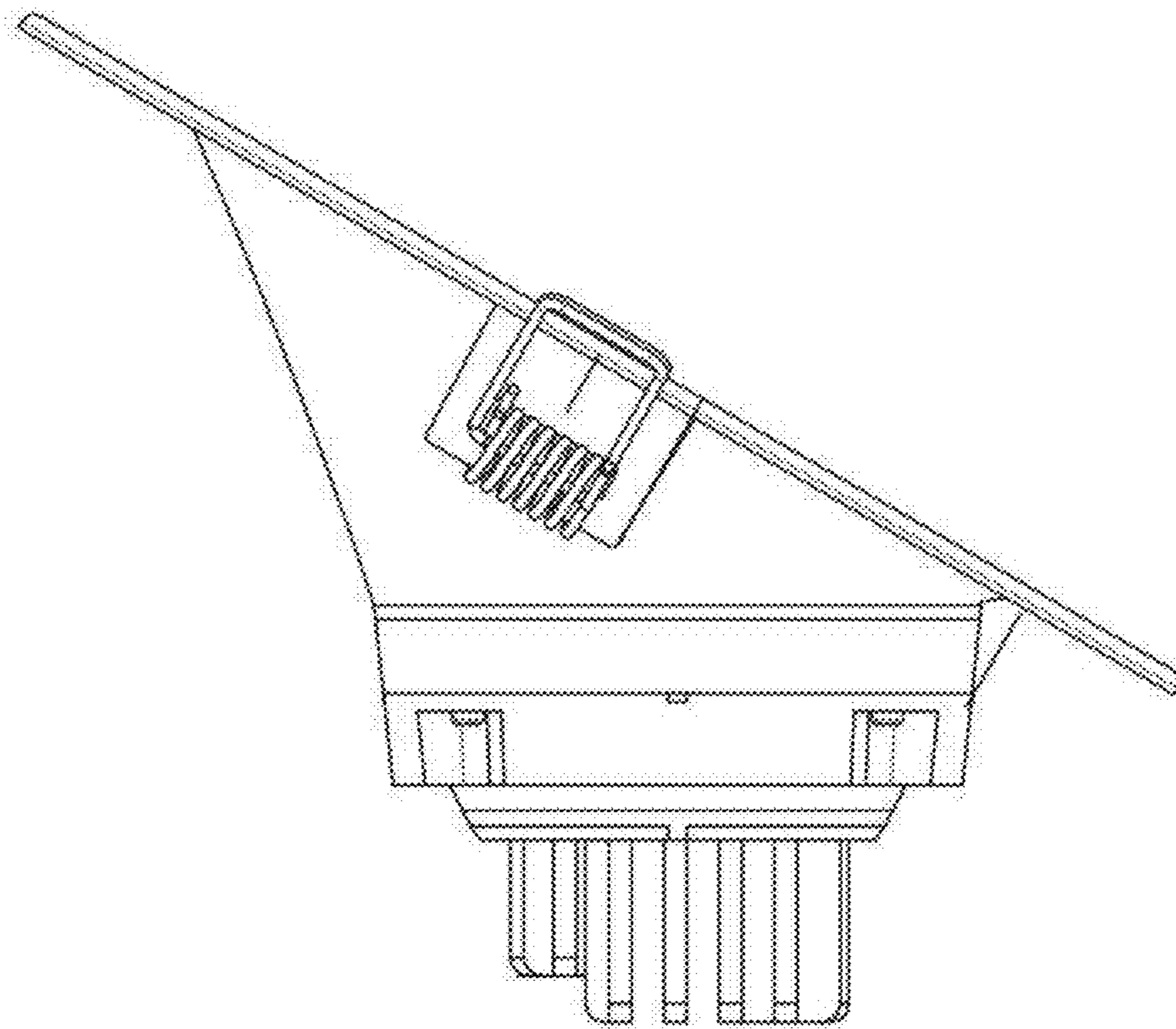


FIG 3

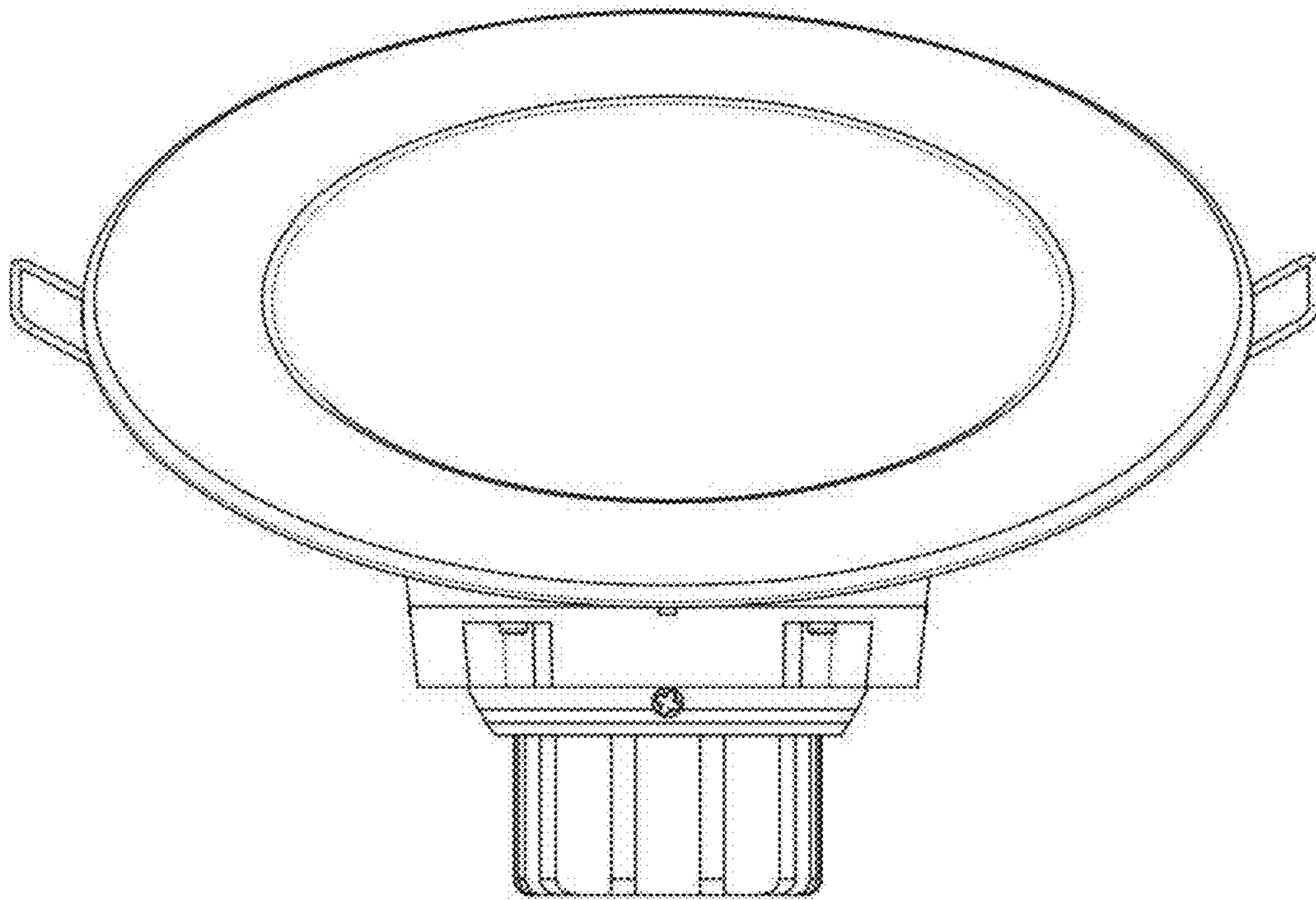


FIG 4

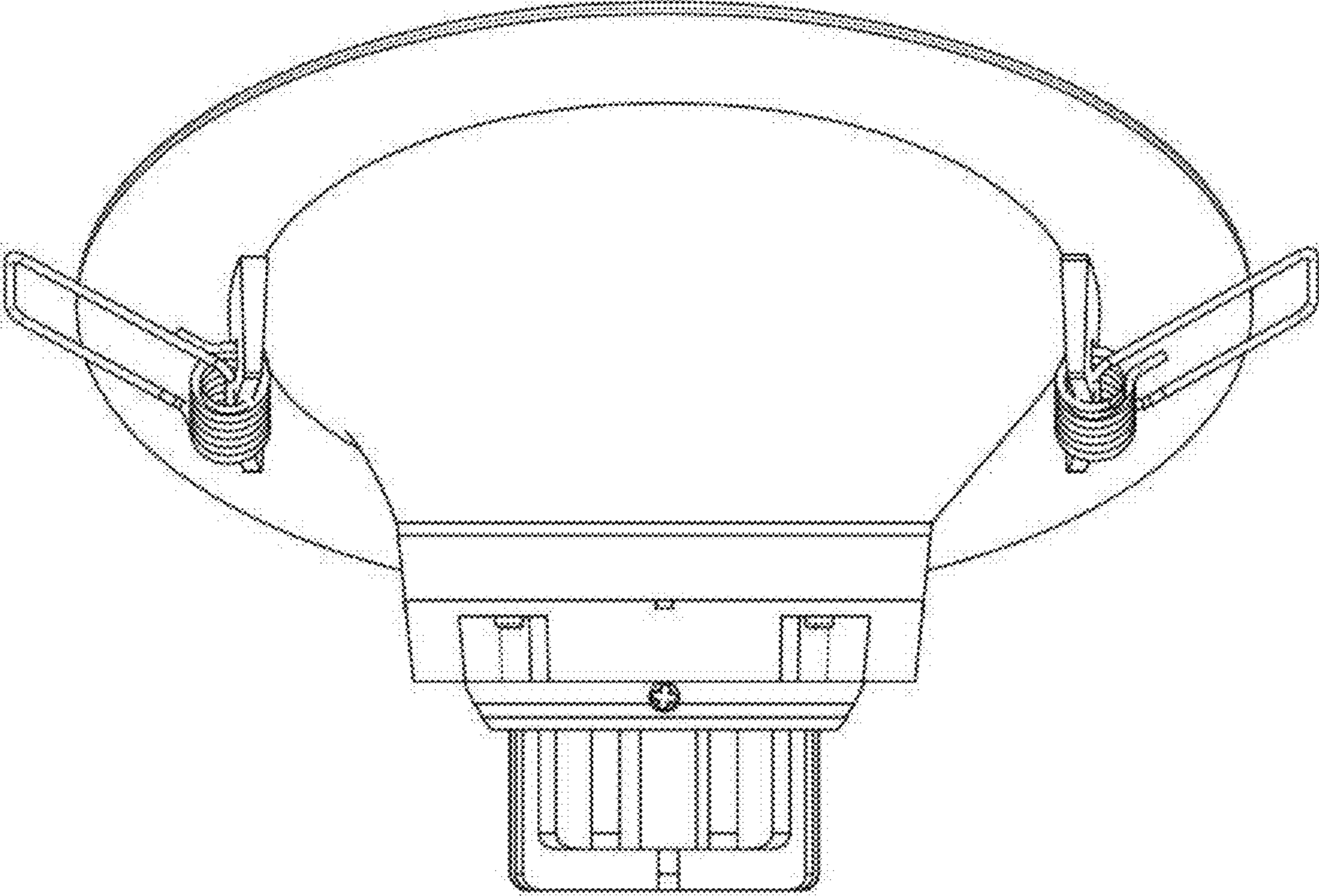


FIG 5

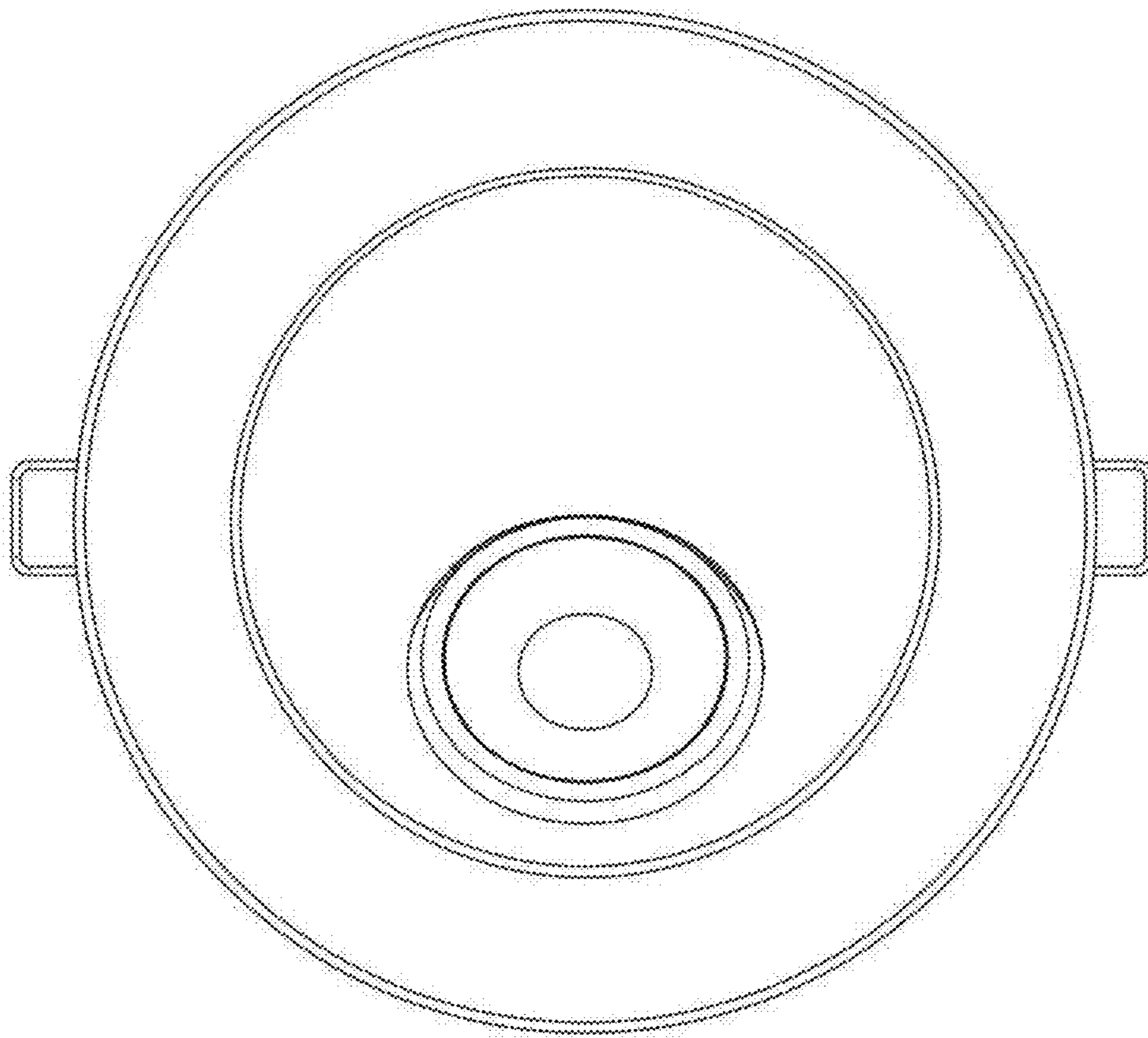


FIG. 6

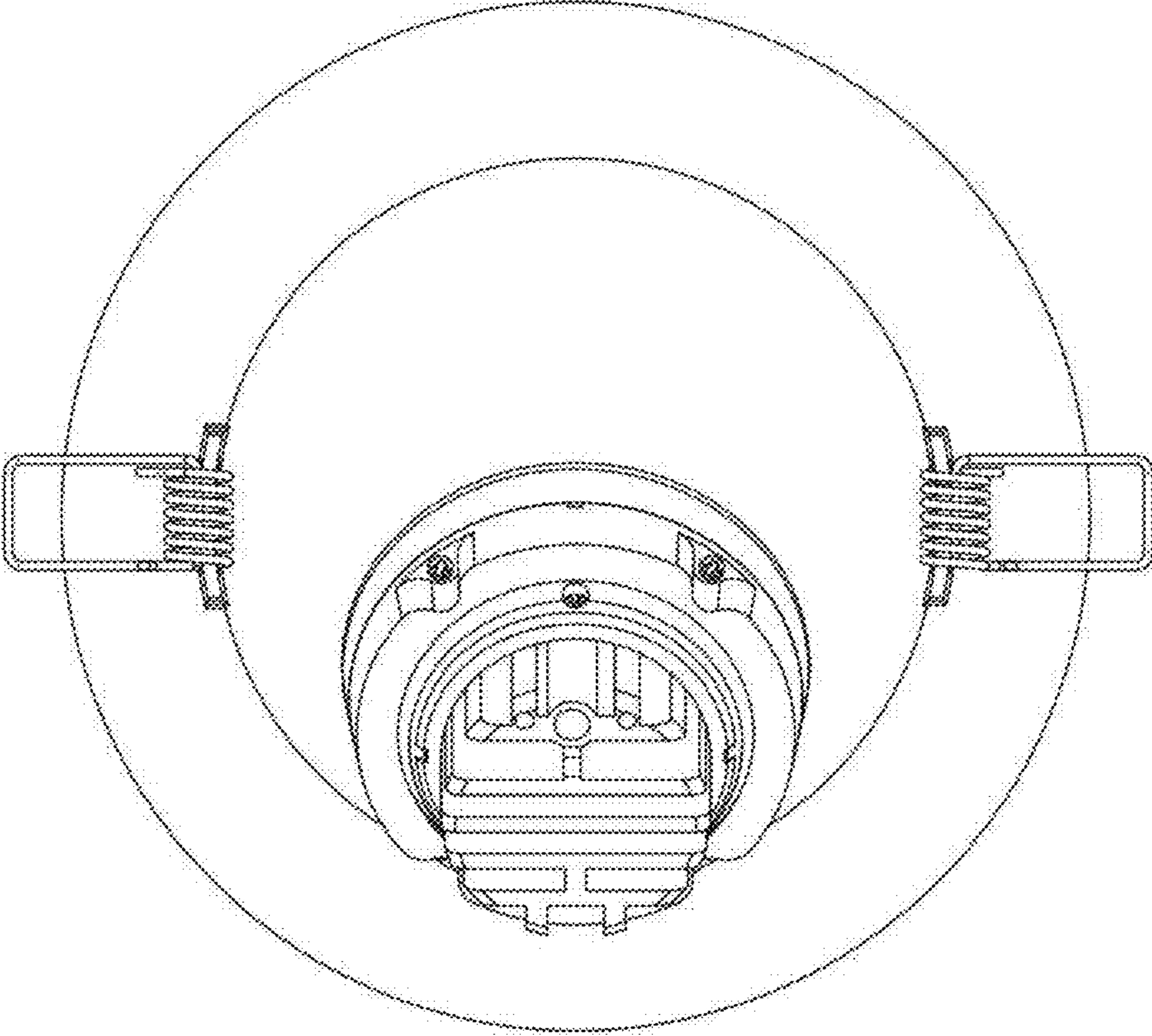


FIG 7