



US00D946807S

(12) **United States Design Patent**
Hoshi et al.

(10) **Patent No.:** **US D946,807 S**

(45) **Date of Patent:** **** Mar. 22, 2022**

(54) **DOWNLIGHT**

(71) Applicant: **Mitsubishi Electric Corporation,**
Tokyo (JP)

(72) Inventors: **Masaaki Hoshi,** Tokyo (JP); **Toshihisa Ogura,** Tokyo (JP)

(73) Assignee: **Mitsubishi Electric Corporation,**
Tokyo (JP)

(**) Term: **15 Years**

(21) Appl. No.: **29/755,053**

(22) Filed: **Oct. 16, 2020**

(51) **LOC (13) Cl.** **26-05**

(52) **U.S. Cl.**
USPC **D26/74**

(58) **Field of Classification Search**
USPC D26/74, 72, 75, 76, 77, 78, 85, 88, 89,
D26/118, 138, 141; 362/364, 365, 373,
362/145, 146, 147, 148, 150, 153, 153.1,
362/294, 296.01, 296.07, 296.08
CPC F21V 29/2262; F21V 7/06; F21V 21/044;
F21V 21/047; F21V 29/2212; F21V
29/2225; F21V 29/2256; F21V 29/225;
F21V 29/2268; F21Y 2111/002; F21S
8/02; F21S 8/026

See application file for complete search history.

(56) **References Cited**

U.S. PATENT DOCUMENTS

D326,537 S * 5/1992 Gattari D26/74
D326,729 S * 6/1992 Gattari D26/74

D665,117 S * 8/2012 Yoshida D26/74
D726,949 S * 4/2015 Redfern D26/74
D768,325 S * 10/2016 Xu D26/74
D786,474 S * 5/2017 Fujisawa D26/74
D866,040 S * 11/2019 Wu D26/74
D874,045 S * 1/2020 Rashidi Doust D26/74
D884,249 S * 5/2020 Mei D26/74
D887,065 S * 6/2020 Speier D26/74
D907,273 S * 1/2021 Wang D26/74
2017/0198870 A1 * 7/2017 Wu F21V 21/108

* cited by examiner

Primary Examiner — Angela J Lee

(74) *Attorney, Agent, or Firm* — Studebaker & Brackett
PC

(57) **CLAIM**

The ornamental design for a downlight, as shown and described.

DESCRIPTION

FIG. 1 is a front, top and right side perspective view of a downlight, showing our new design;
FIG. 2 is a bottom, rear and left side perspective view thereof;
FIG. 3 is a front view thereof;
FIG. 4 is a rear view thereof;
FIG. 5 is a left side view thereof;
FIG. 6 is a right side view thereof;
FIG. 7 is a top view thereof; and,
FIG. 8 is a bottom view thereof.

The parts shown in the broken lines do not form part of the claimed design.

1 Claim, 8 Drawing Sheets

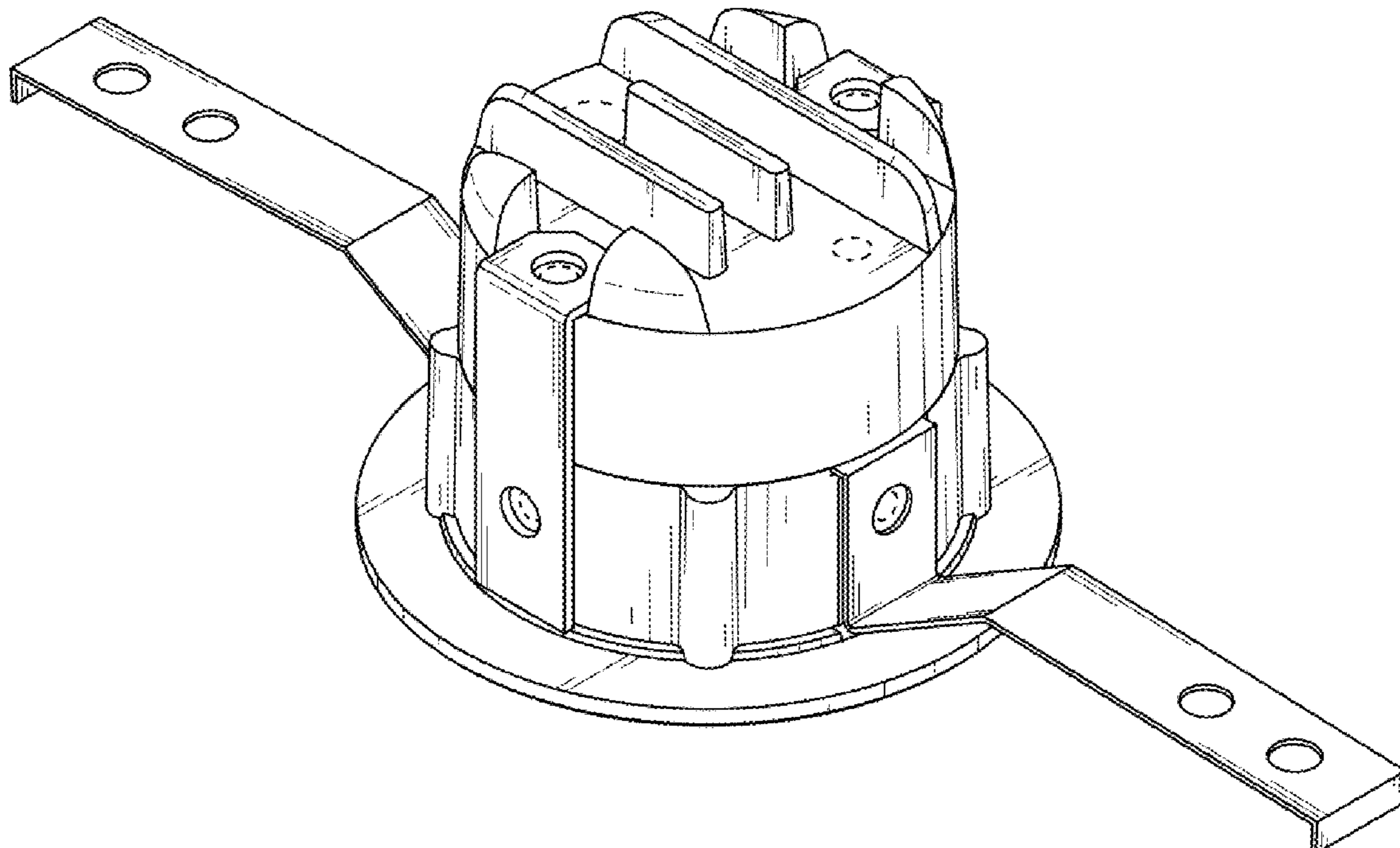


Fig.1

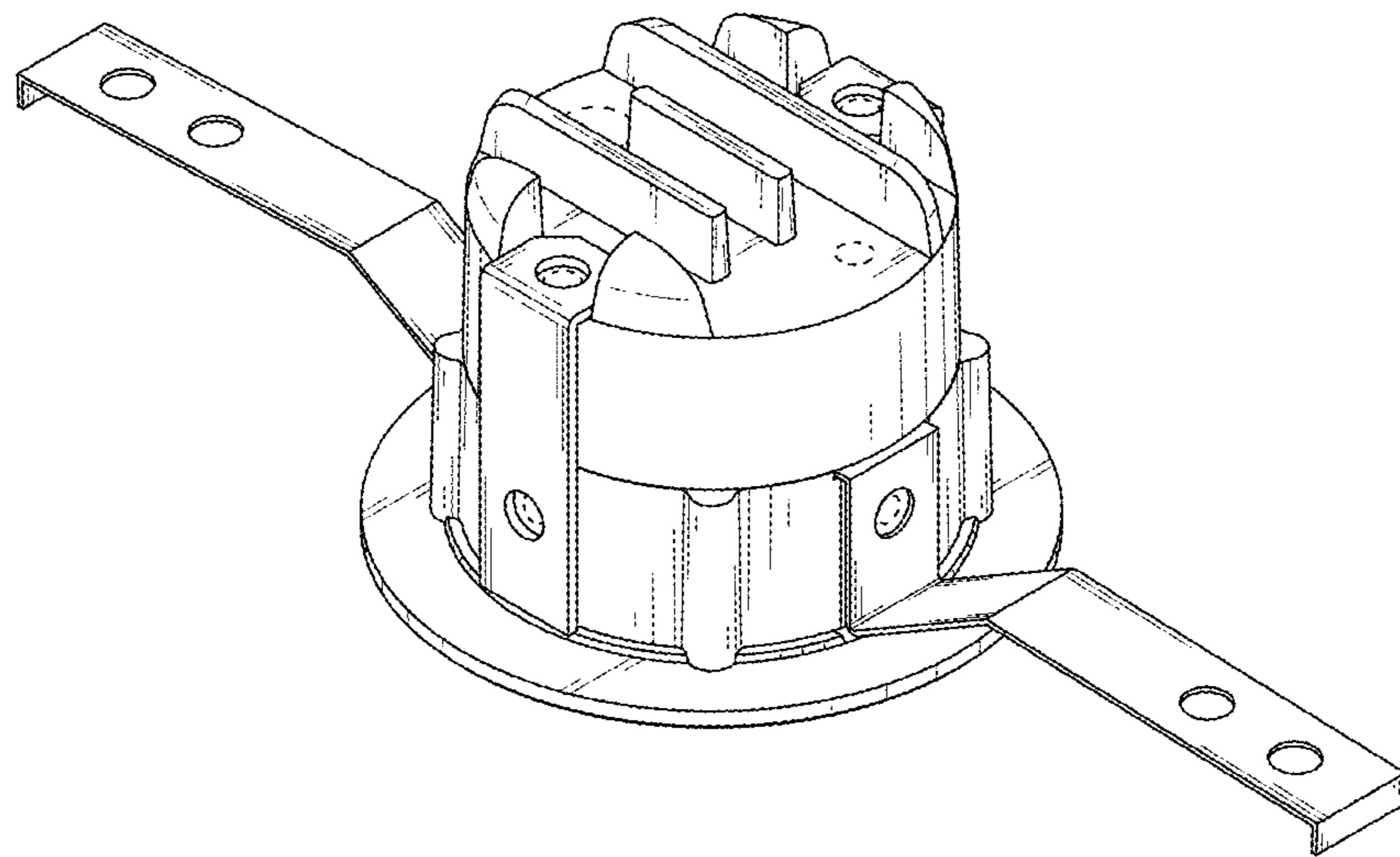


Fig.2

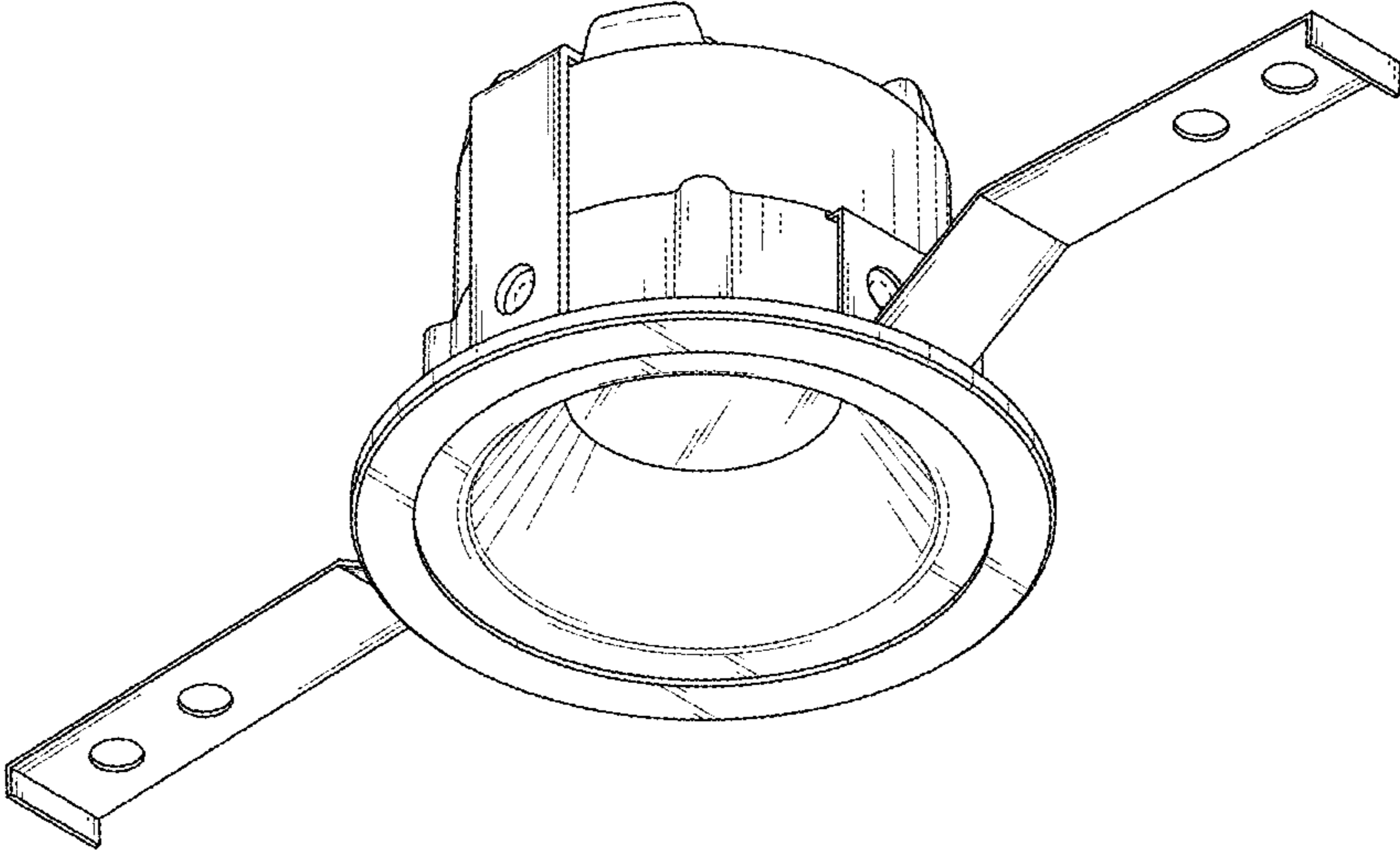


Fig.3

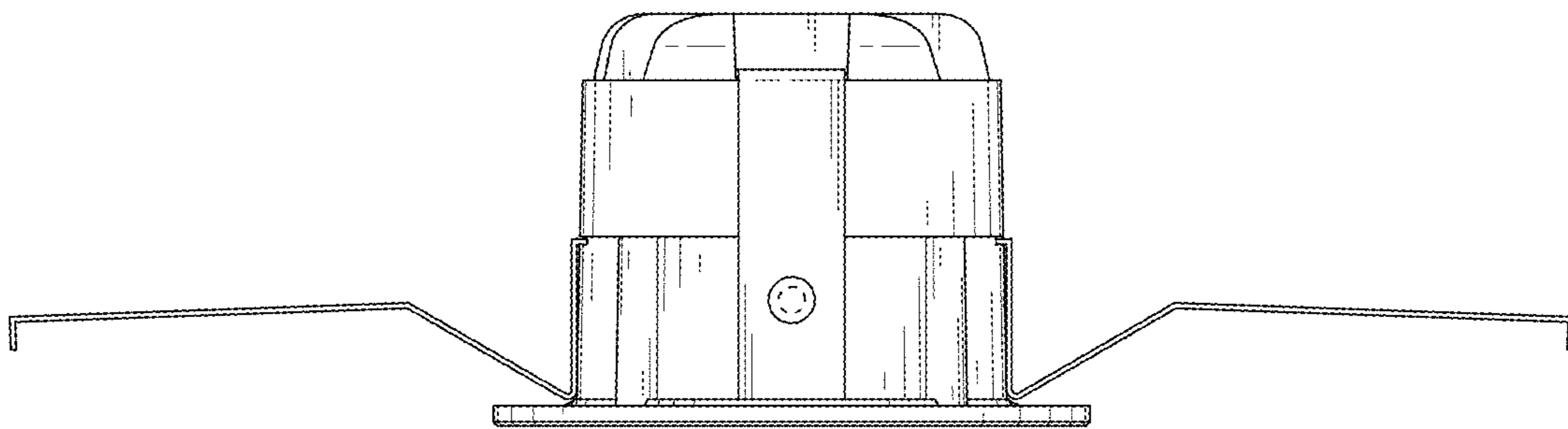


Fig.4

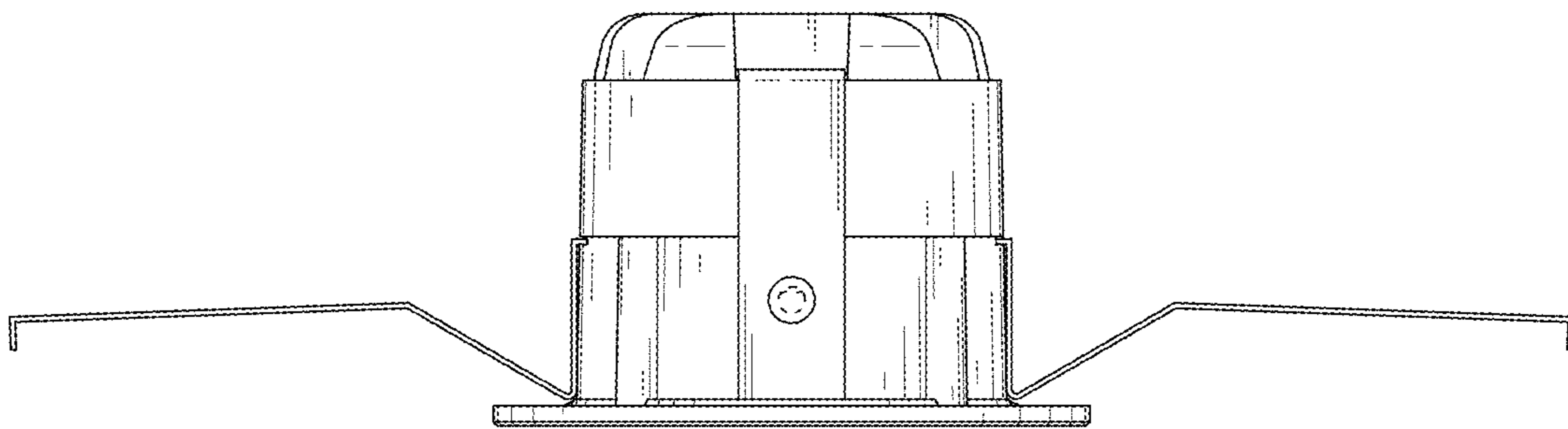


Fig.5

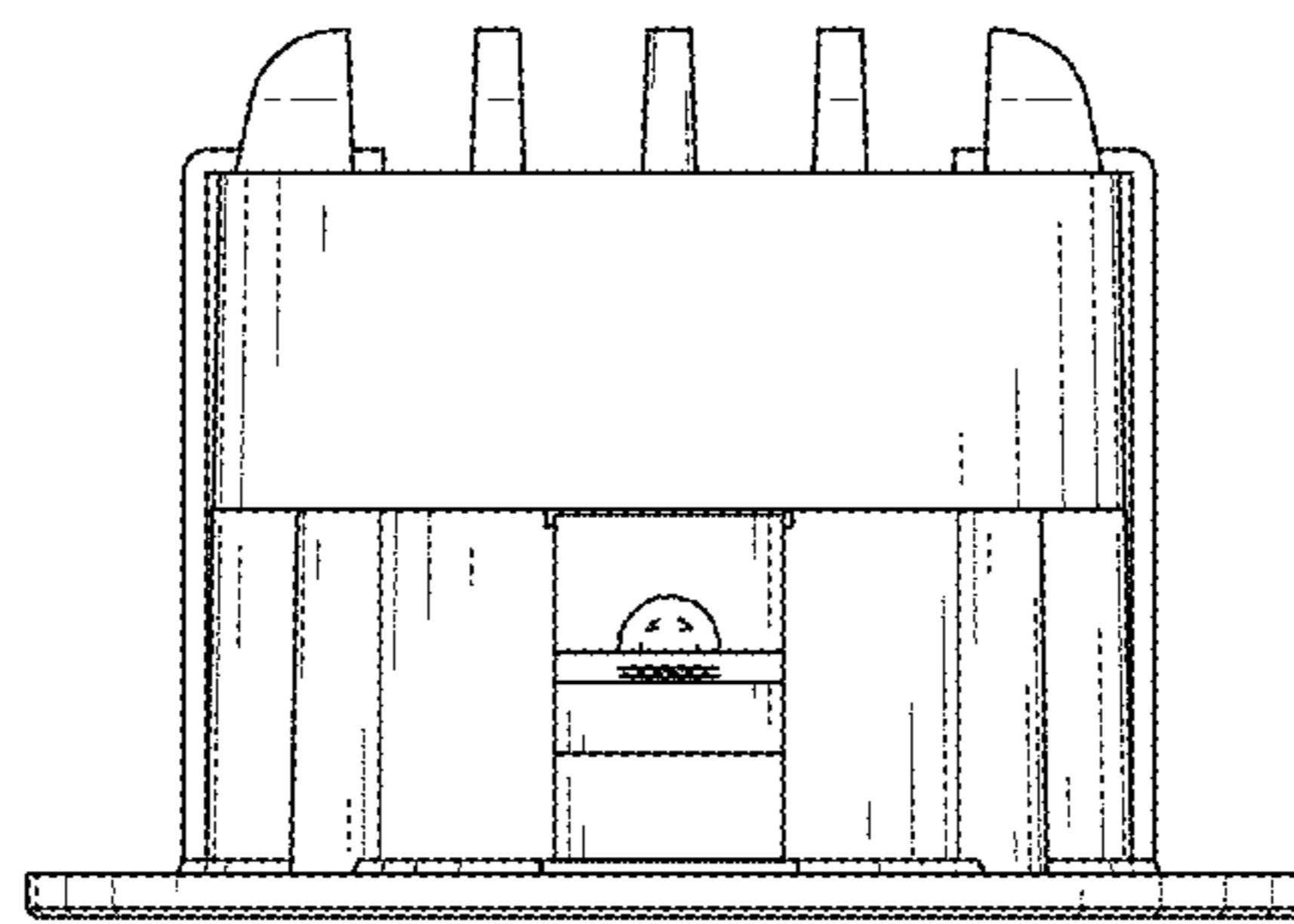


Fig.6

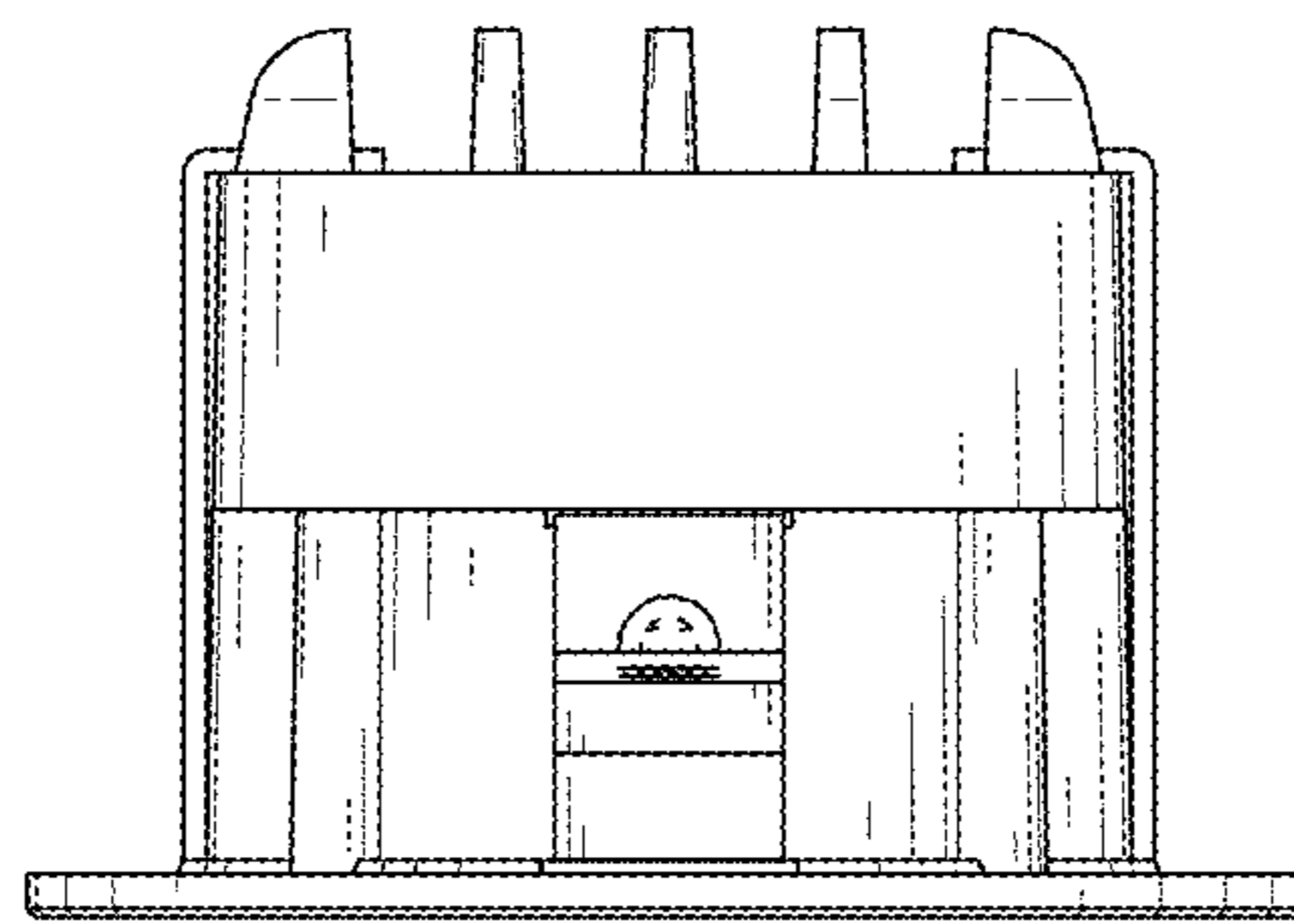


Fig.7

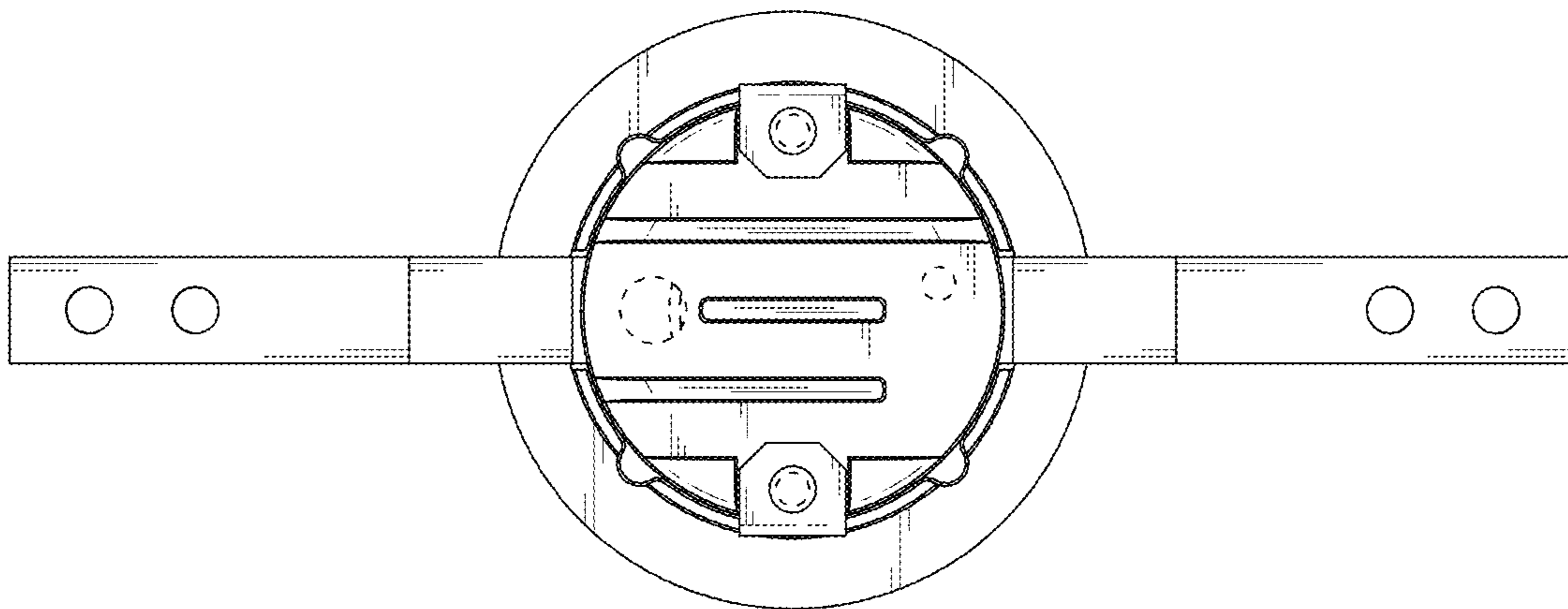


Fig.8

