



US00D946806S

(12) **United States Design Patent**
Lai

(10) **Patent No.:** **US D946,806 S**

(45) **Date of Patent:** **** Mar. 22, 2022**

- (54) **PLANT GROW LIGHT**
- (71) Applicant: **SHENZHEN XINCHI NETWORK & TECH CO., LTD.**, Shenzhen (CN)
- (72) Inventor: **Haibo Lai**, Shenzhen (CN)
- (73) Assignee: **SHENZHEN XINCHI NETWORK & TECH CO., LTD.**, Shenzhen (CN)
- (**) Term: **15 Years**
- (21) Appl. No.: **29/780,493**
- (22) Filed: **Apr. 25, 2021**
- (51) **LOC (13) Cl.** **26-05**
- (52) **U.S. Cl.**
USPC **D26/67; D26/55**
- (58) **Field of Classification Search**
USPC D26/40, 41, 67-70, 85, 51, 55
CPC F21S 8/03; F21S 8/033; F21S 8/036; F21S 8/081; F21S 9/037; F21W 2111/02; F21W 2111/023; F21W 2131/109
See application file for complete search history.

- 2013/0094191 A1* 4/2013 Cohen F21V 21/08 362/122
- 2014/0022773 A1* 1/2014 Colby F21V 33/0028 362/183
- 2014/0069007 A1* 3/2014 Chen A01G 9/249 47/66.6

OTHER PUBLICATIONS

Homfune Grow Light For Indoor Plants, ASIN: B09JNS4N4G, available from amazon.com Oct. 18, 2021. (Year: 2021).*

ODMJ LED Grow Light For Indoor Plants, ASIN: B09JSLVWMV, available from amazon.com Nov. 1, 2021. (Year: 2021).*

Fontana Arte Tris Table Lamp. Available from nostraform.com, visited Jan. 25, 2022. (Year: 2022).*

Witsanlex LED Grow Light For Indoor Plants, ASIN: B08YY5QTZV, available from amazon.com Mar. 15, 2021. (Year: 2021).*

* cited by examiner

Primary Examiner — Clare E Heflin

(57) **CLAIM**

The ornamental design for a plant grow light, as shown and described.

DESCRIPTION

FIG. 1 is a perspective view of a plant grow light showing my new design;

FIG. 2 is another perspective view thereof;

FIG. 3 is a front elevational view thereof;

FIG. 4 is a rear elevational view thereof;

FIG. 5 is a left side elevational view thereof;

FIG. 6 is a right side elevational view thereof;

FIG. 7 is a top plan view thereof; and,

FIG. 8 is a bottom plan view thereof.

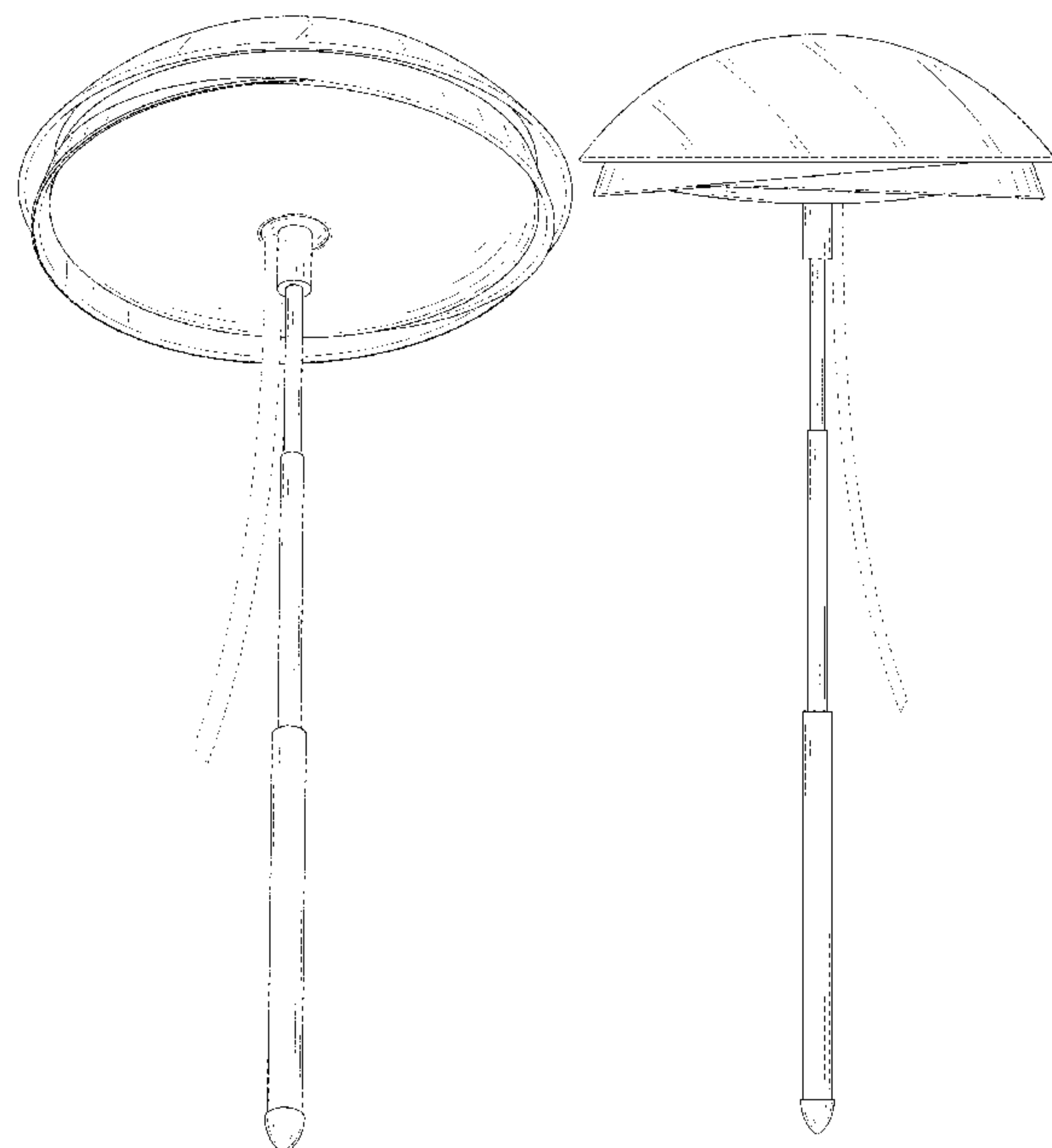
The broken lines in the drawings depict portions of the plant grow light that form no part of the claimed design.

1 Claim, 8 Drawing Sheets

(56) **References Cited**

U.S. PATENT DOCUMENTS

- D330,777 S * 11/1992 Hall D26/68
- D341,221 S * 11/1993 Elazari D26/68
- 7,041,899 B2 * 5/2006 Stekelenburg H01R 25/00 174/50
- D529,652 S * 10/2006 Hon D26/67
- D555,278 S * 11/2007 Sanoner D26/68
- D762,904 S * 8/2016 Schmitt D26/68
- D884,246 S * 5/2020 Tang D26/67
- D903,174 S 11/2020 Chen
- D911,574 S * 2/2021 Hui D26/68
- D925,088 S * 7/2021 Gibson D26/67
- 2006/0044785 A1 * 3/2006 Lee F21S 9/037 362/96



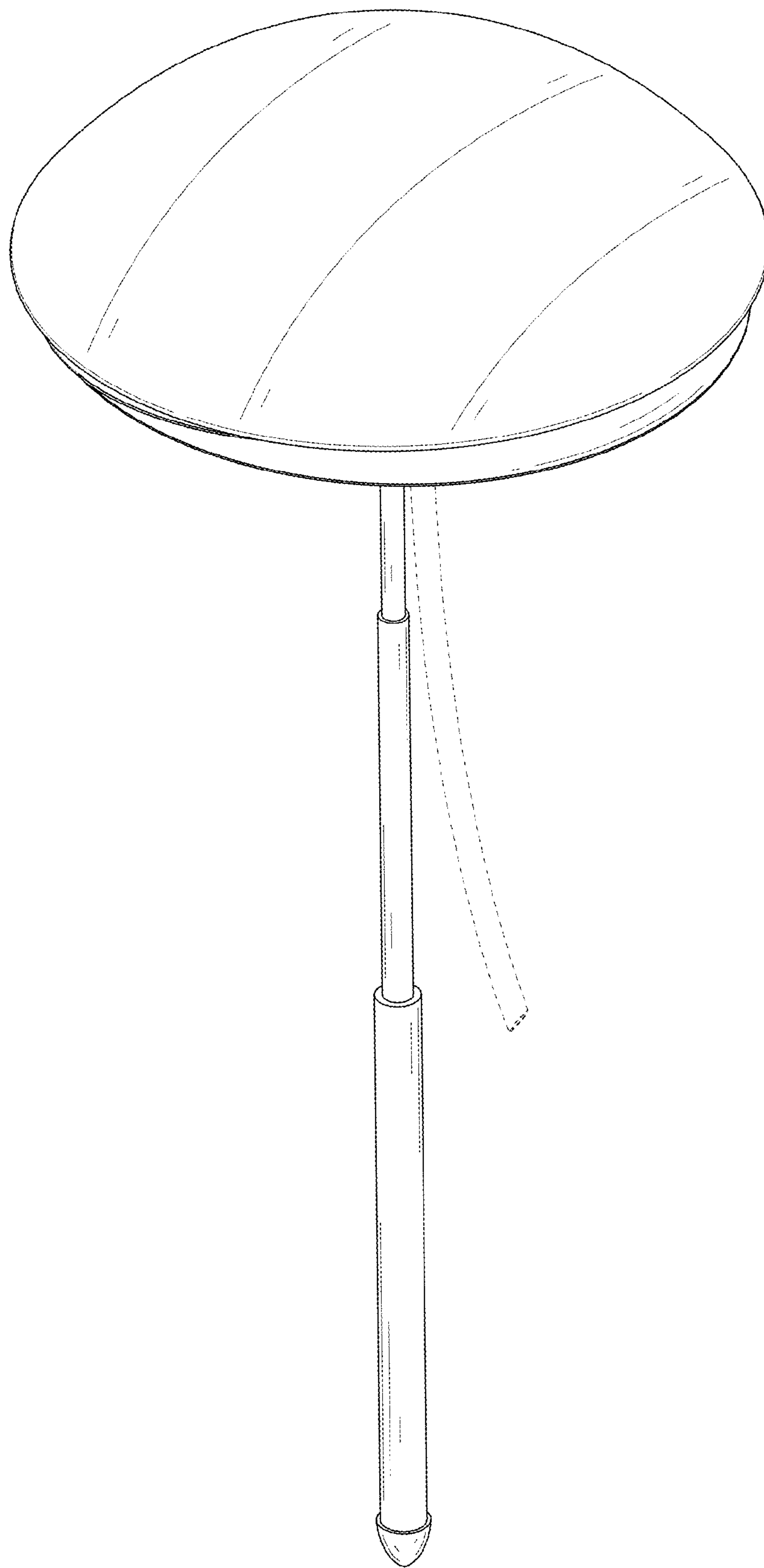


FIG. 1

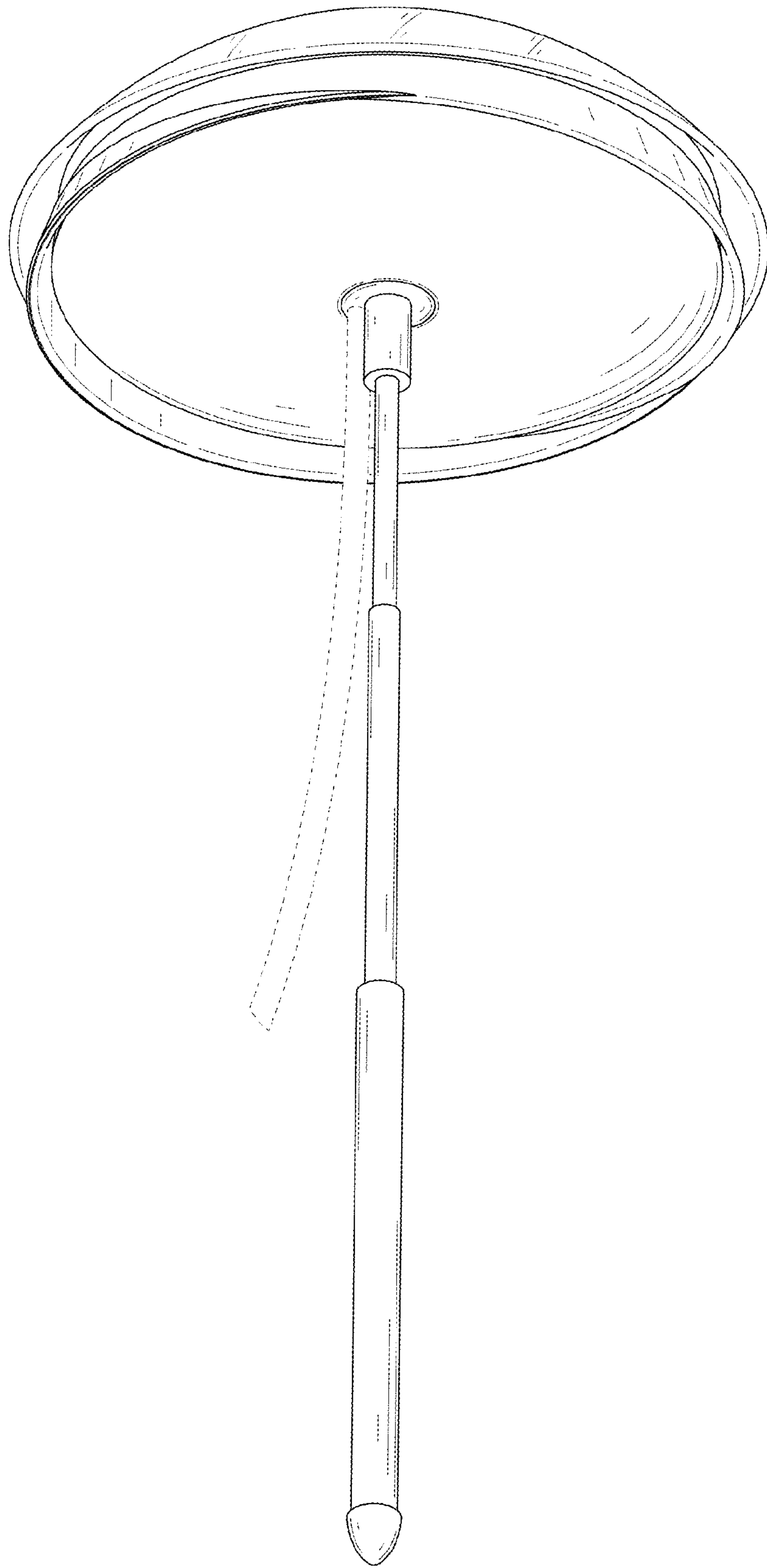


FIG. 2

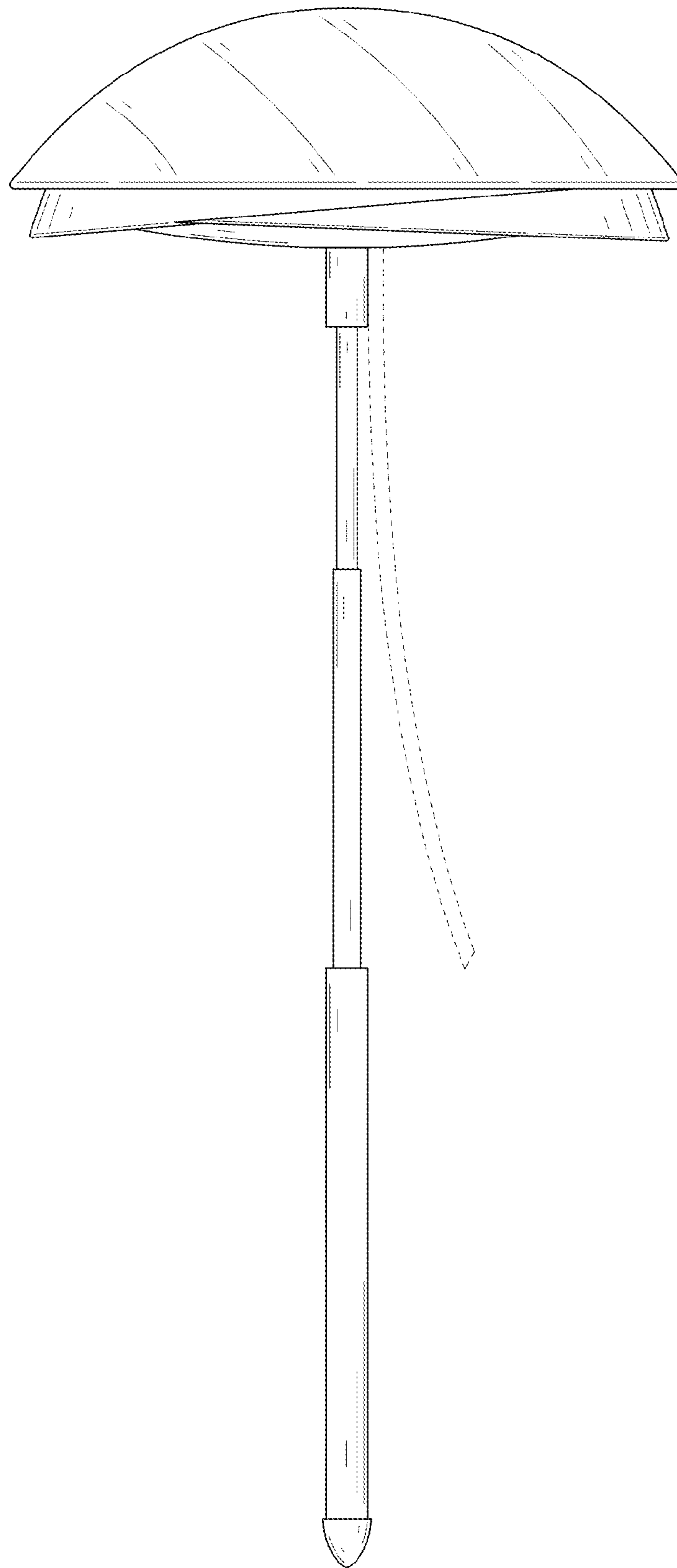


FIG. 3

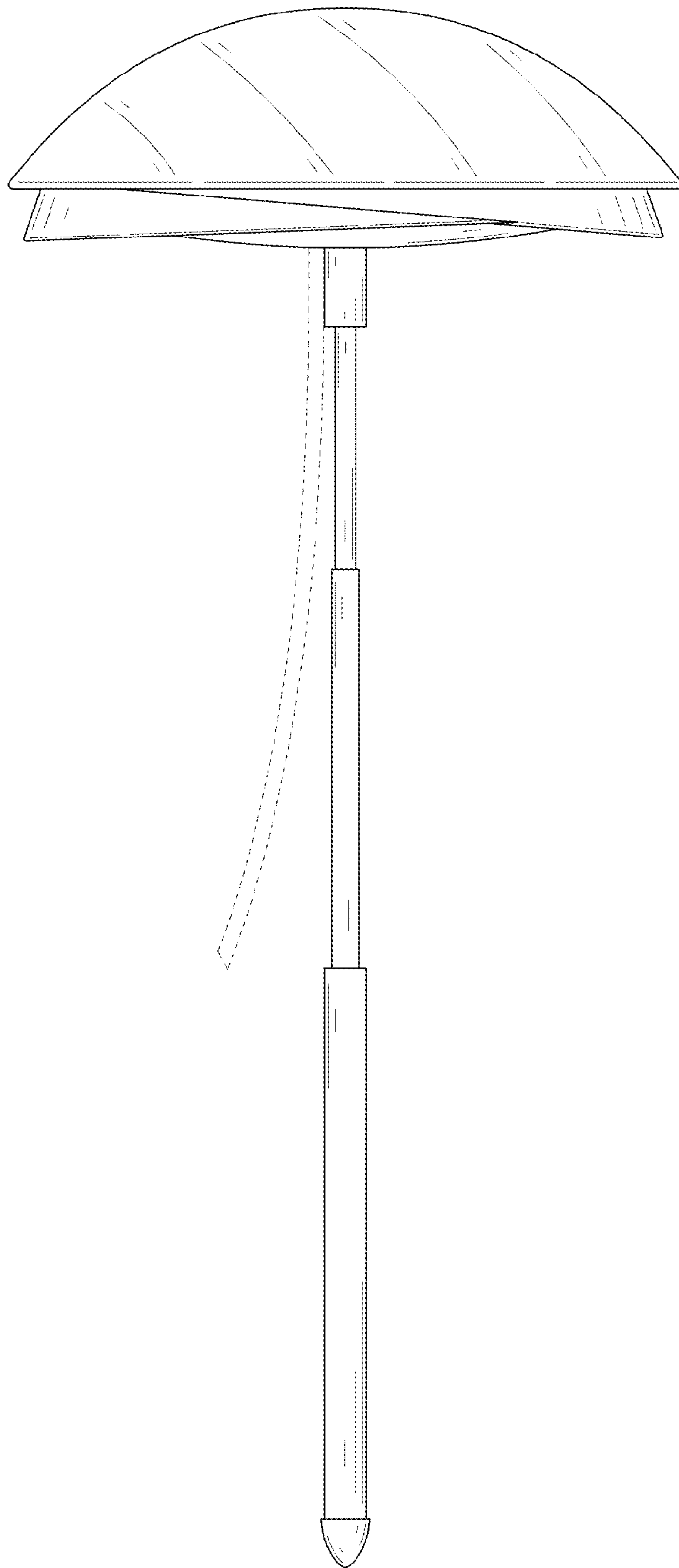


FIG. 4

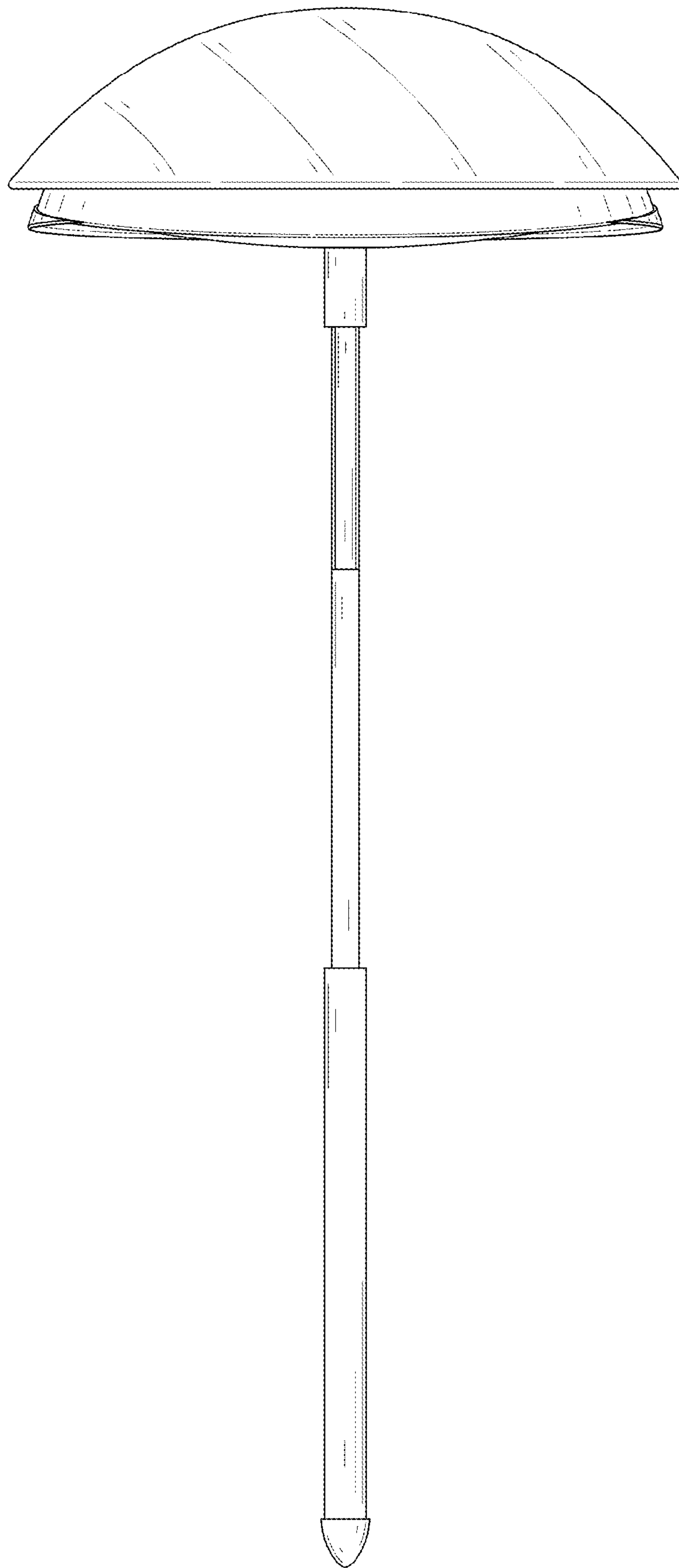


FIG. 5

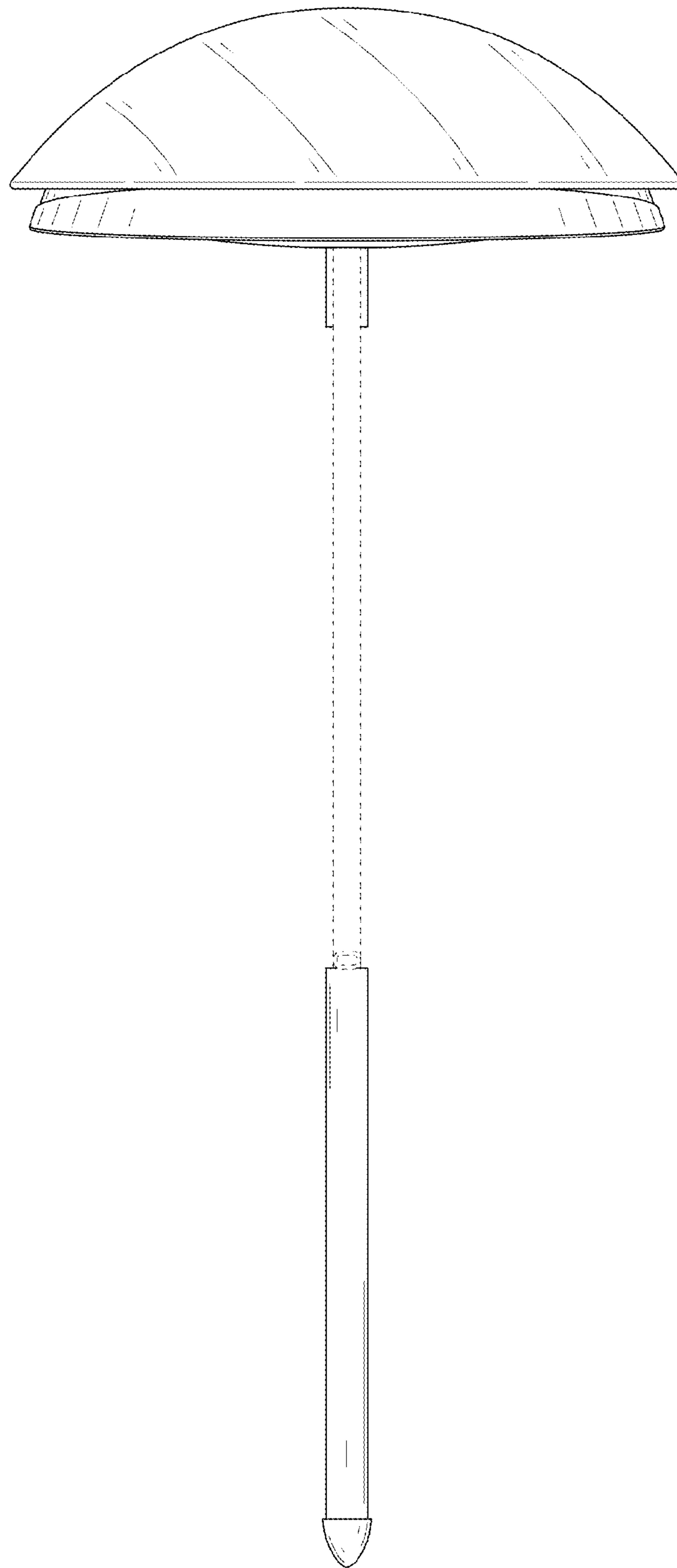


FIG. 6

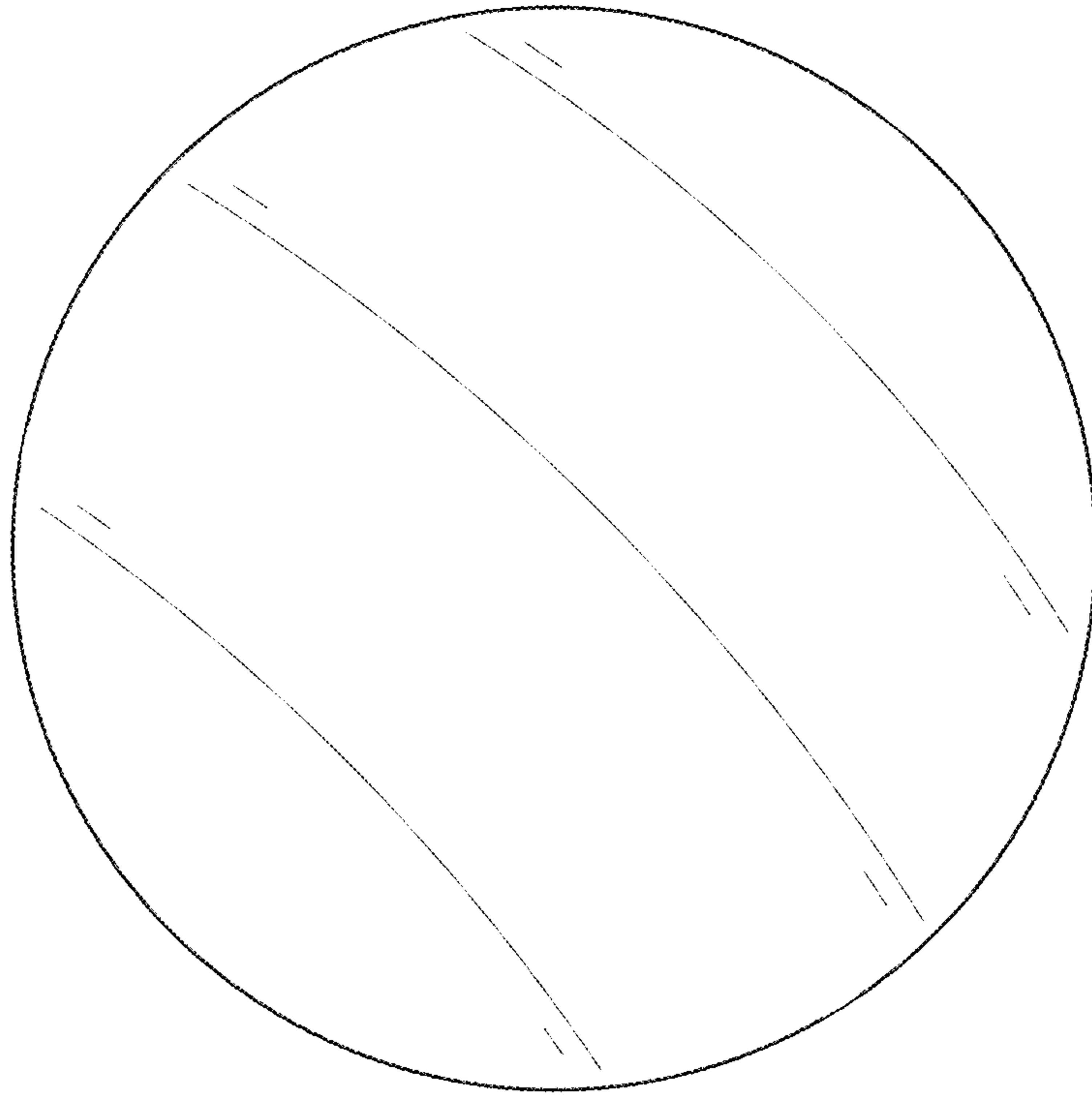


FIG. 7

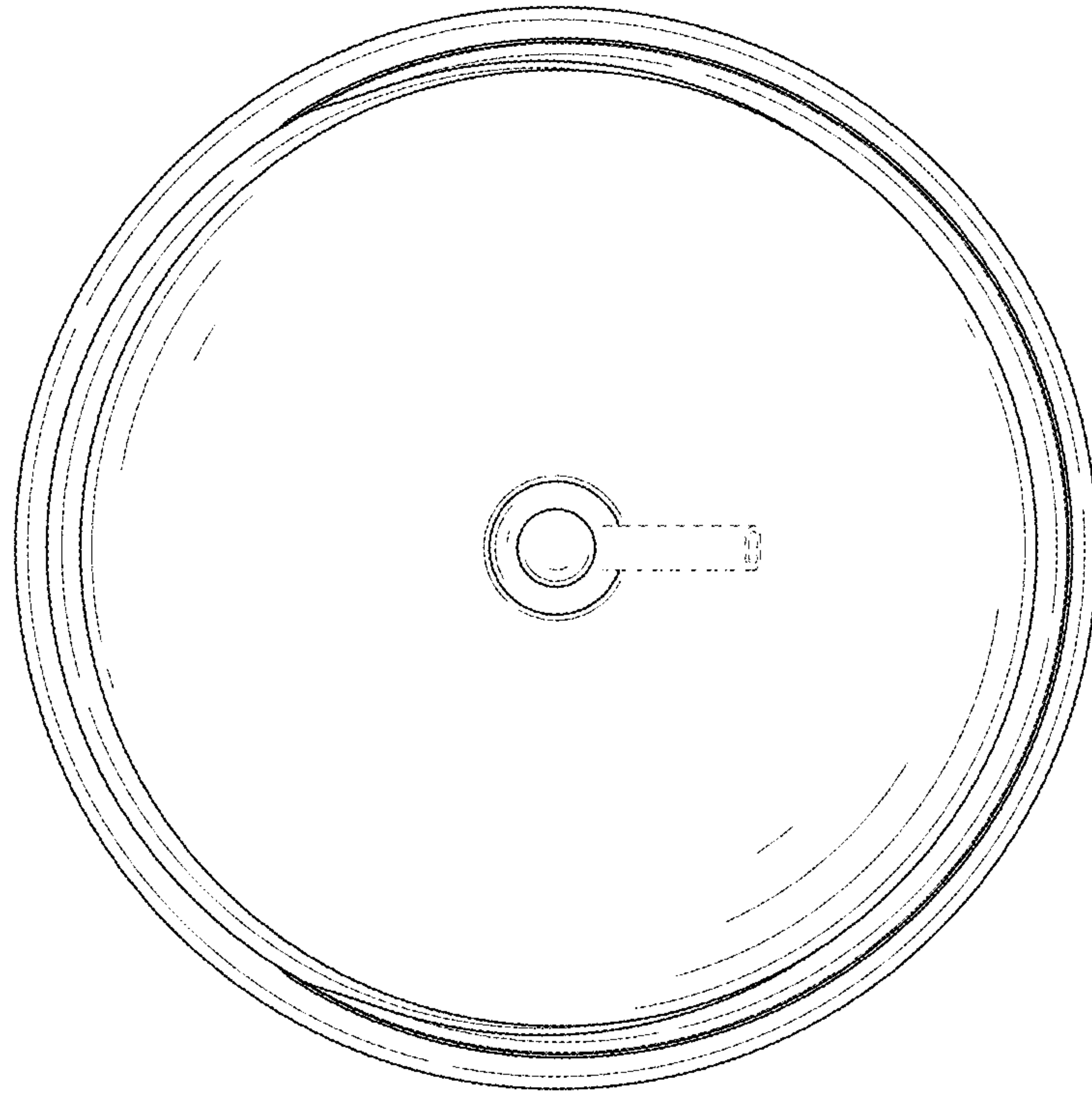


FIG. 8