



US00D946805S

(12) **United States Design Patent**
Wu

(10) **Patent No.:** **US D946,805 S**
(45) **Date of Patent:** **** Mar. 22, 2022**

(54) **SOLAR LIGHT**

- (71) Applicant: **Beier Wu**, Zhejiang Province (CN)
- (72) Inventor: **Beier Wu**, Zhejiang Province (CN)
- (**) Term: **15 Years**
- (21) Appl. No.: **29/776,372**
- (22) Filed: **Mar. 30, 2021**
- (51) **LOC (13) Cl.** **26-05**
- (52) **U.S. Cl.**
USPC **D26/67**
- (58) **Field of Classification Search**
USPC D26/40, 41, 67-70, 85
CPC F21S 8/03; F21S 8/033; F21S 8/036; F21S
8/081; F21S 9/037; F21W 2111/02;
F21W 2111/023; F21W 2131/109
See application file for complete search history.

(56) **References Cited**

U.S. PATENT DOCUMENTS

D445,937 S *	7/2001	Sanoner	D26/68
D465,296 S *	11/2002	DiPasquale	D26/67
D553,284 S *	10/2007	Bucher	D26/67
D553,286 S *	10/2007	Chung	D26/67
D563,585 S *	3/2008	Lee	D26/67
D578,239 S *	10/2008	Milicia	D26/68
D646,833 S *	10/2011	Chen	D26/85
D663,063 S *	7/2012	Yang	D26/67
D829,357 S *	9/2018	Chen	D26/68
D851,315 S *	6/2019	Chen	D26/67
D899,658 S	10/2020	Wang		
D931,511 S *	9/2021	Yan	F21L 4/00 D26/40
11,118,762 B1 *	9/2021	Zhang	F21V 17/164
2007/0285023 A1 *	12/2007	Cooper	F21S 9/037 315/149

OTHER PUBLICATIONS

- LED light flame Flickering Tiki Torch solar light, Model No. BTK025, available from alibaba.com. Visited Jan. 25, 2022. (Year: 2022).*
- LED Solar Flame Light, available from beauxhomegoods.com. Visited Jan. 25, 2022. (Year: 2022).*
- LED Solar 2 Pack Flame Dancing Torch Lights, SKU: GS-GFL-930. Available from ledglobalsupply.com as early as Feb. 5, 2021. (Year: 2021).*

* cited by examiner

Primary Examiner — Clare E Heflin

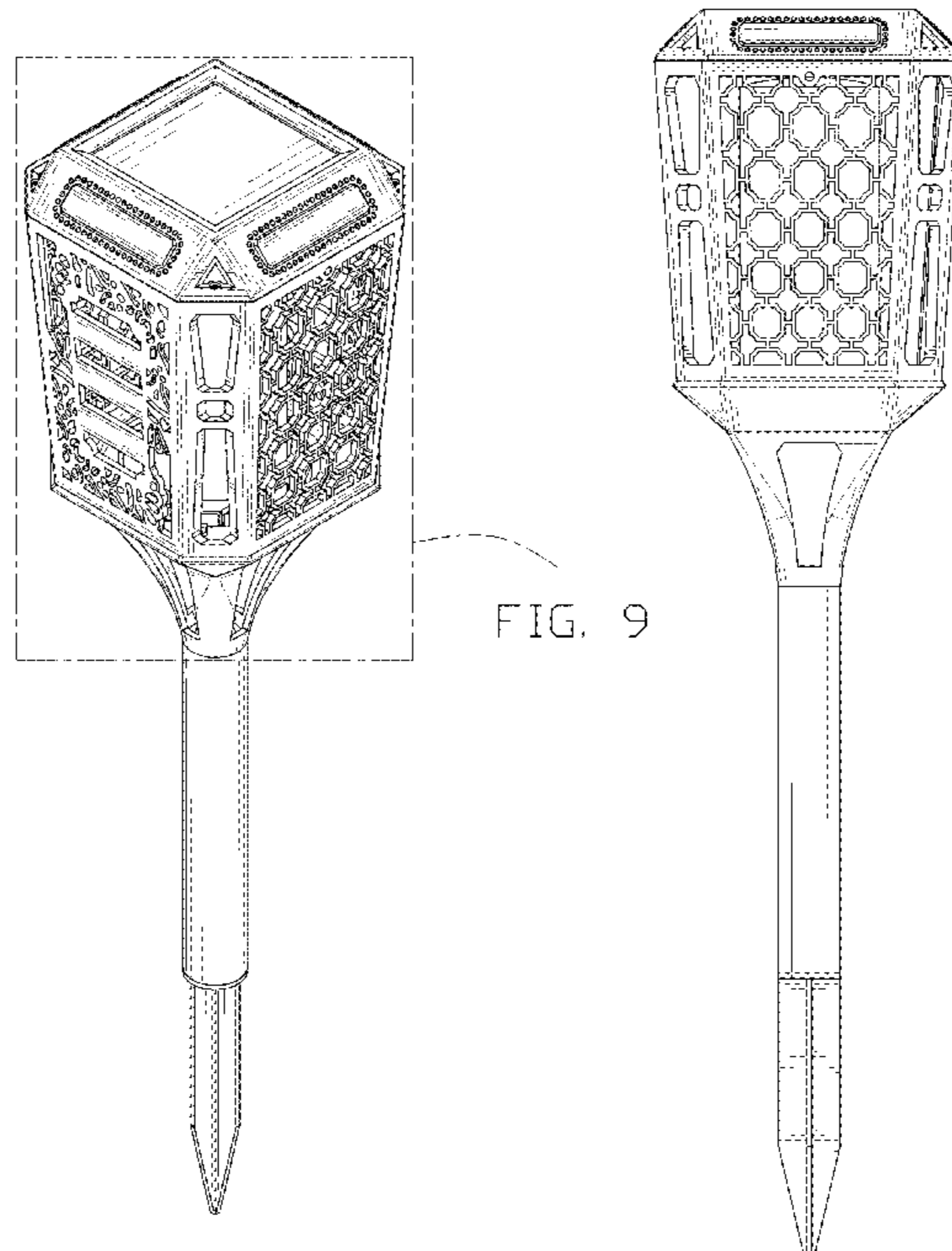
(57) **CLAIM**

The ornamental design for a solar light, as shown and described.

DESCRIPTION

FIG. 1 is a front and top perspective view of a solar light, showing my new design;
 FIG. 2 is a rear and bottom perspective view thereof;
 FIG. 3 is a front elevation view thereof;
 FIG. 4 is a rear elevation view thereof;
 FIG. 5 is a left side elevation view thereof;
 FIG. 6 is a right side elevation view thereof;
 FIG. 7 is a top plan view thereof;
 FIG. 8 is a bottom plan view thereof; and,
 FIG. 9 is an enlarged view of a portion labeled, 'FIG. 9' in FIG. 1.
 The dash dot dash lines in FIGS. 1 and 9 are for the purpose of depicting the cut line of the enlarged view and form no part of the claim.

1 Claim, 9 Drawing Sheets



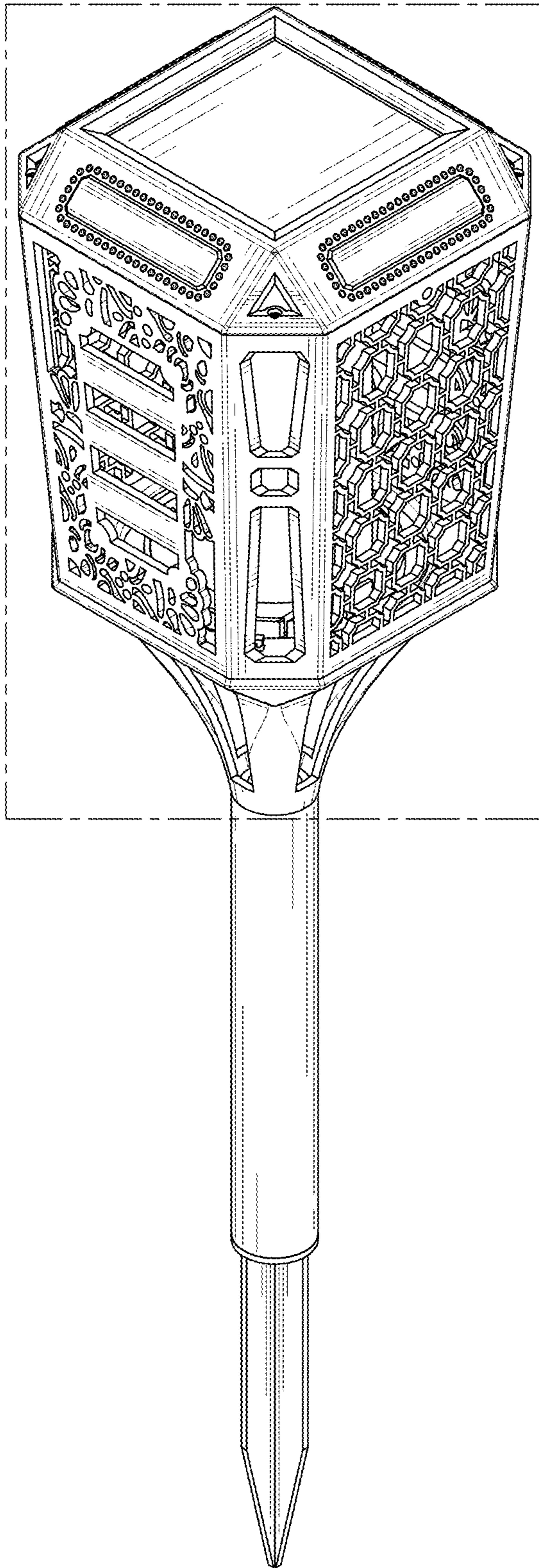


FIG. 9

FIG. 1

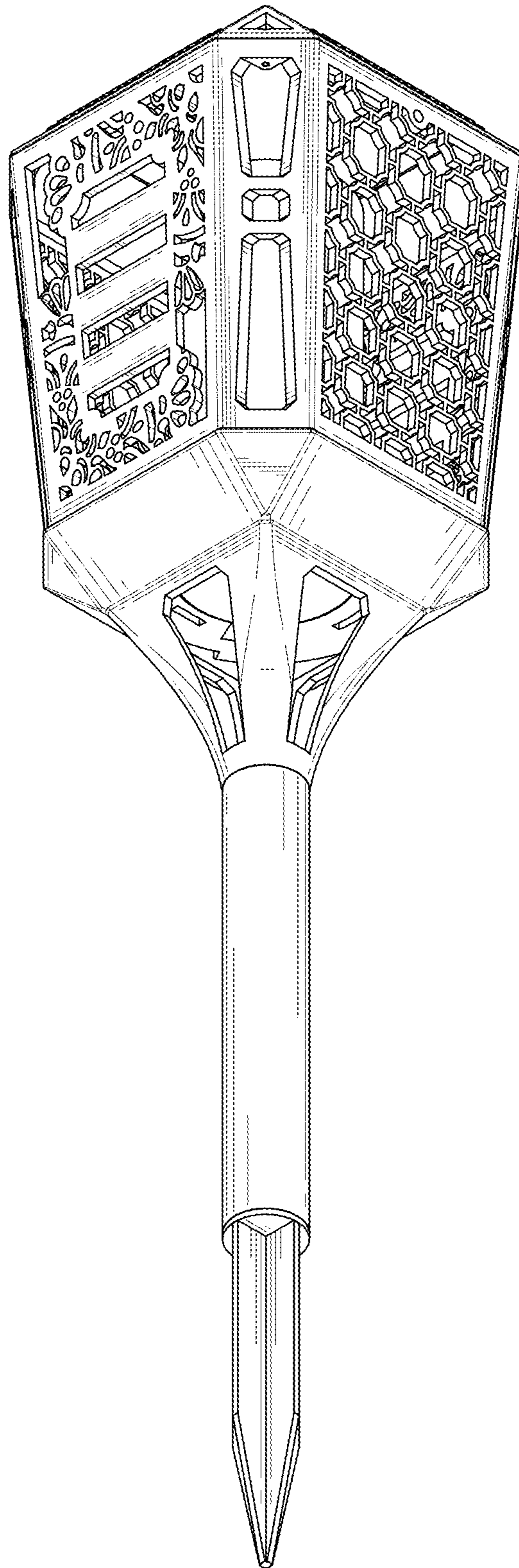


FIG. 2

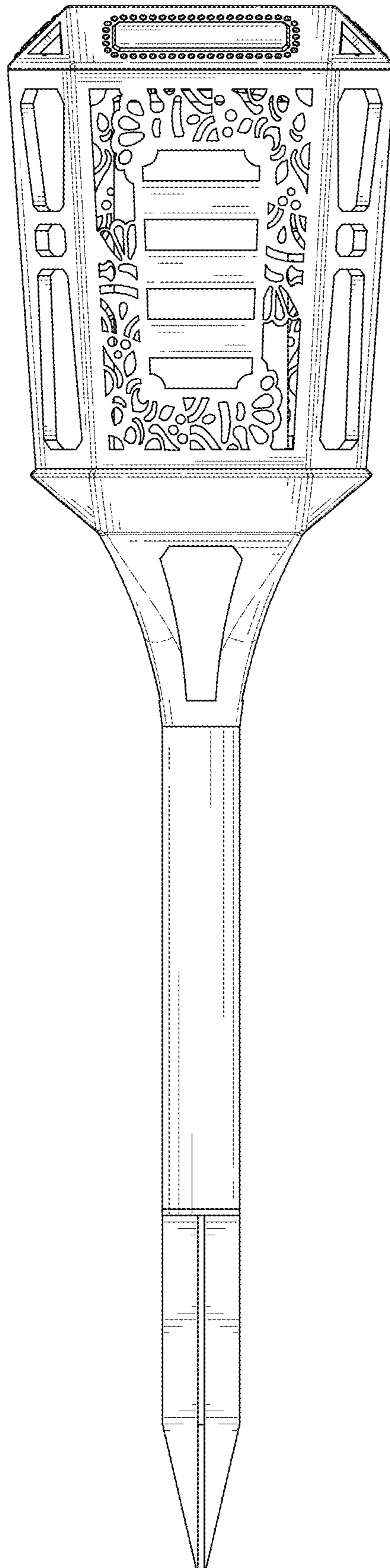


FIG. 3

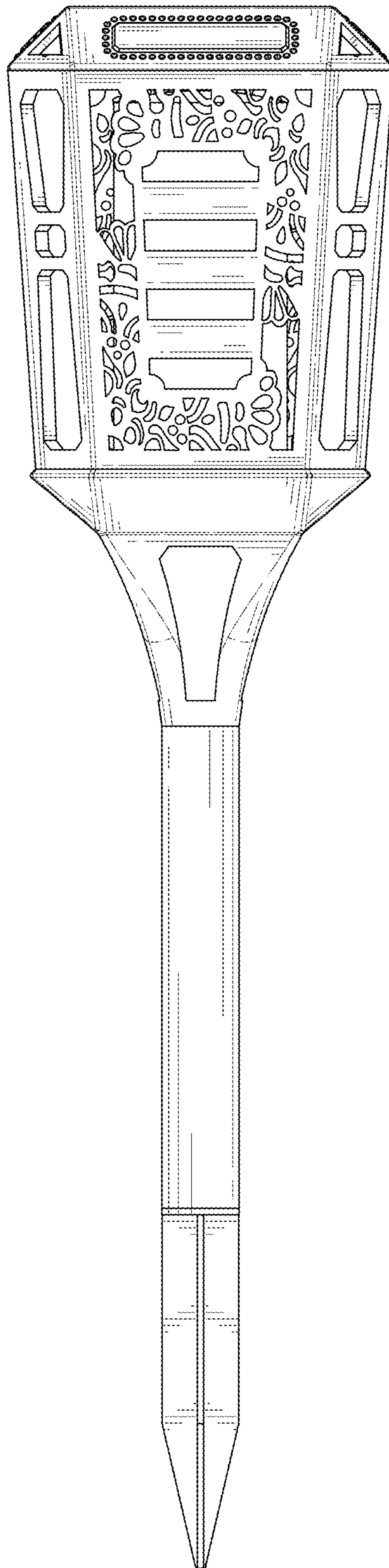


FIG. 4

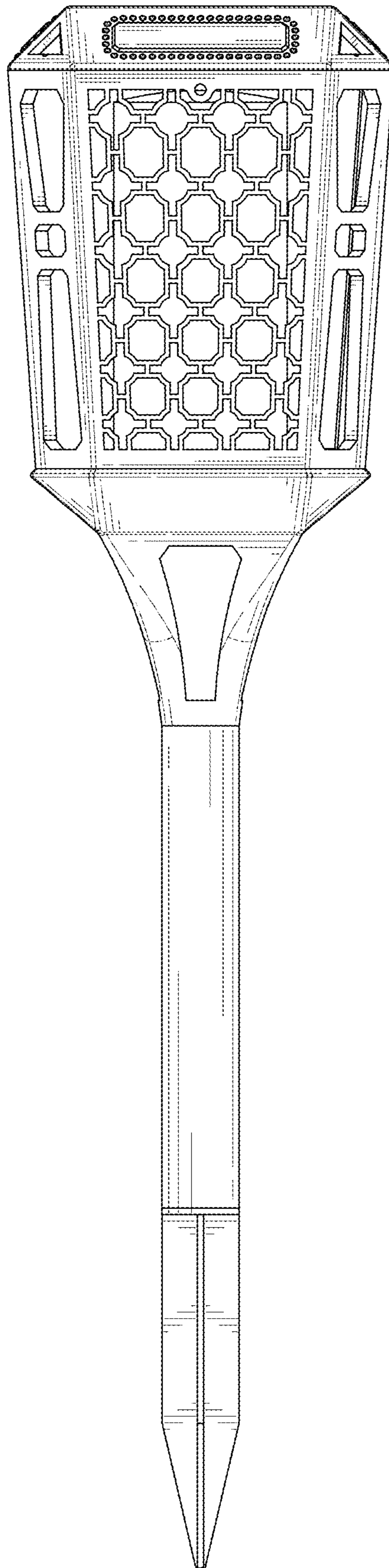


FIG. 5

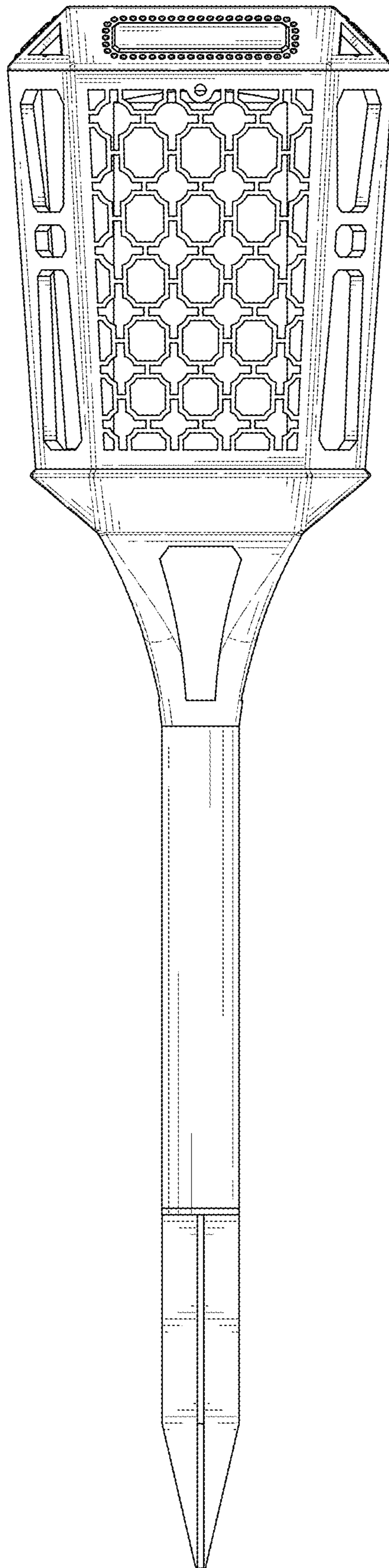


FIG. 6

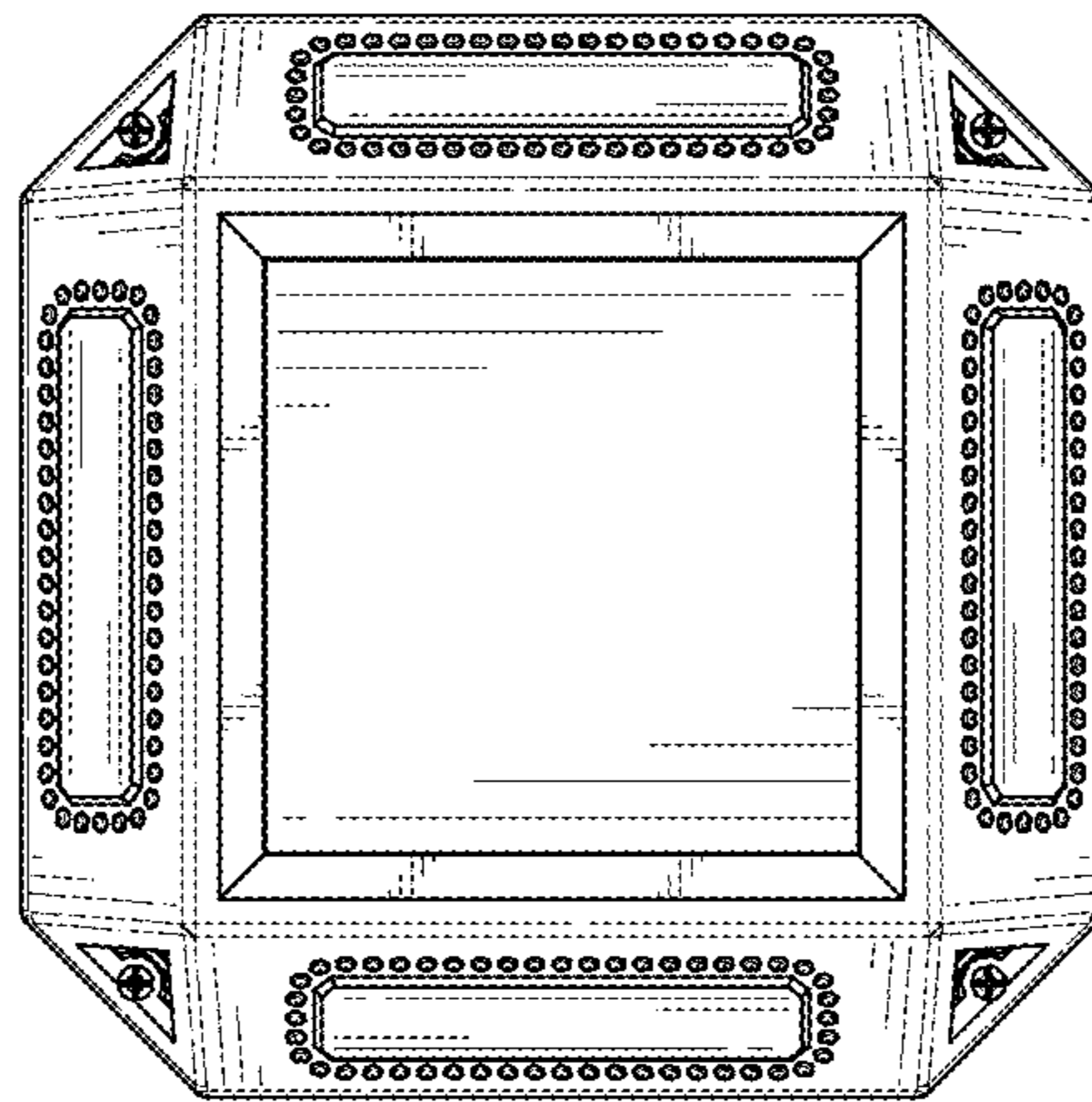


FIG. 7

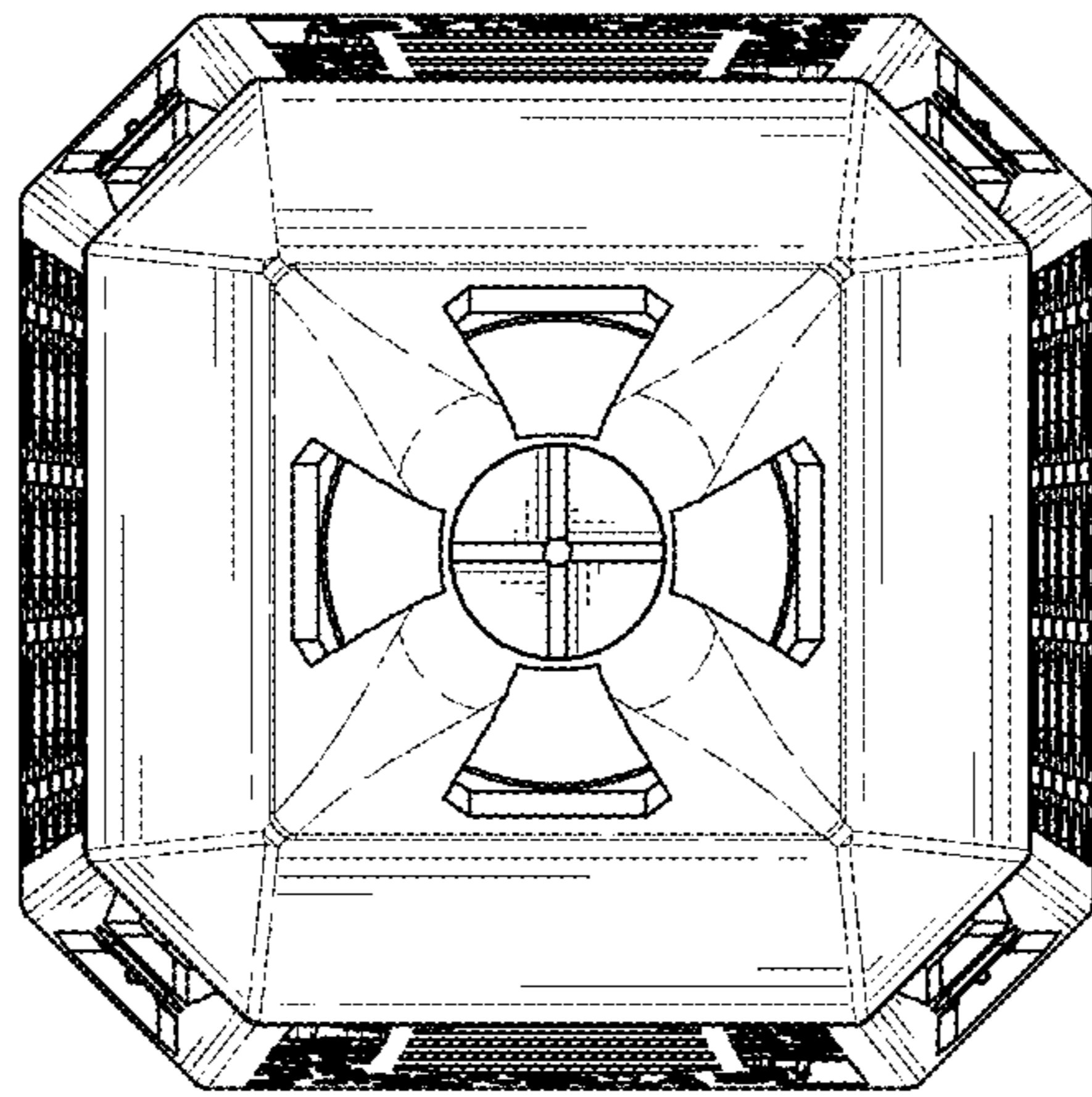


FIG. 8

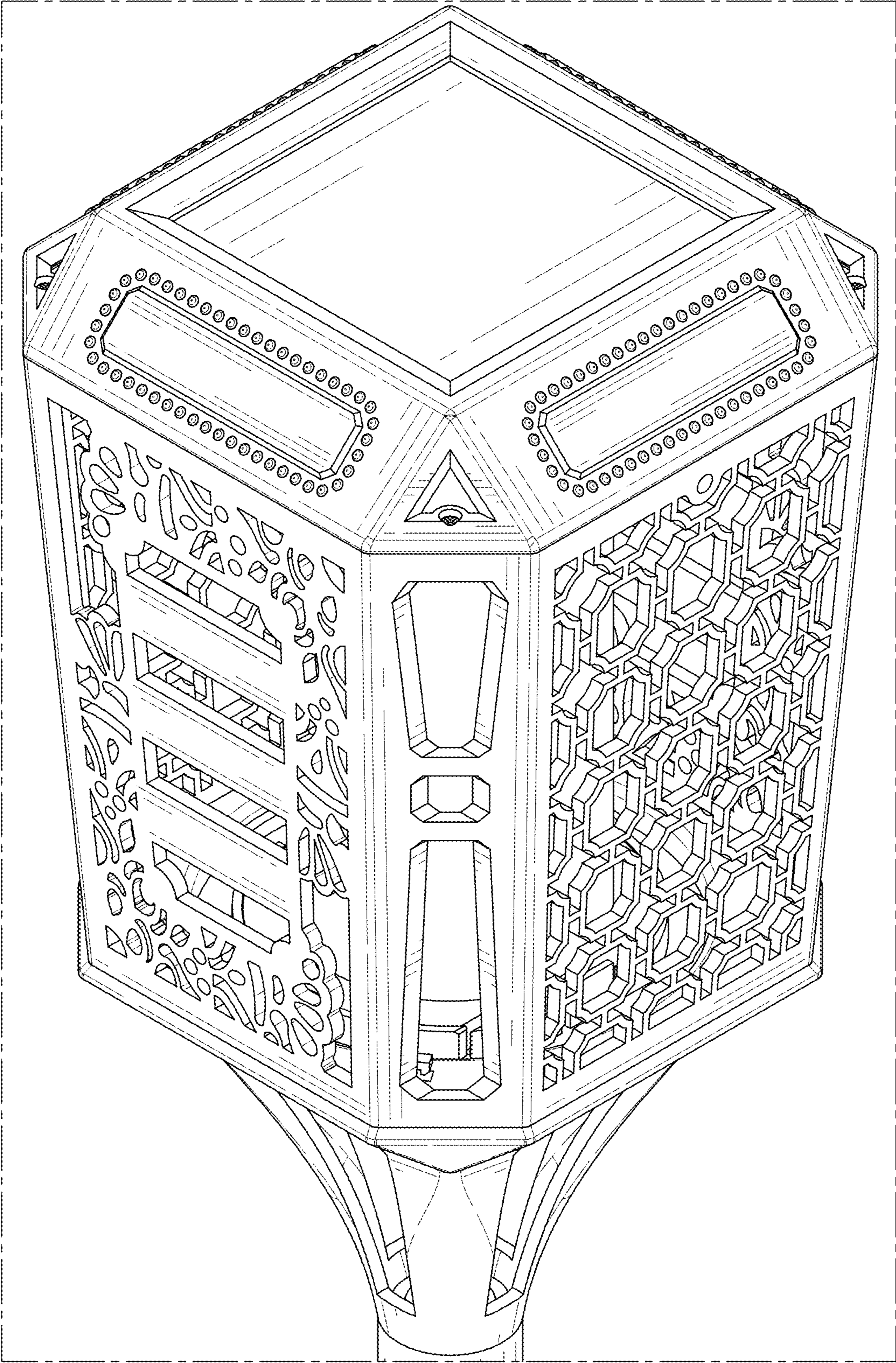


FIG. 9