



US00D946804S

(12) **United States Design Patent**
Xia

(10) **Patent No.:** **US D946,804 S**
(45) **Date of Patent:** **** Mar. 22, 2022**

(54) **LAMP**

(71) Applicant: **Peili Xia**, Jiujiang (CN)

(72) Inventor: **Peili Xia**, Jiujiang (CN)

(**) Term: **15 Years**

(21) Appl. No.: **29/773,485**

(22) Filed: **Mar. 10, 2021**

(51) **LOC (13) Cl.** **26-05**

(52) **U.S. Cl.**
USPC **D26/63**; D26/61; D26/106

(58) **Field of Classification Search**
USPC D26/24, 61, 63, 93, 104, 106, 108, 51,
D26/107, 62, 65
CPC F21S 6/00; F21S 6/002; F21S 6/003; F21S
6/004; F21S 6/005; F21S 6/006; F21S
10/00; F21V 21/26; F21V 21/30; F21Y
2113/10; G02B 27/025
See application file for complete search history.

(56) **References Cited**

U.S. PATENT DOCUMENTS

D72,142 S	*	3/1927	Brady	D26/51
D393,916 S	*	4/1998	Lee	D26/106
D480,827 S	*	10/2003	Hsieh	D26/108
D485,929 S	*	1/2004	Cvek	D26/65
D500,567 S	*	1/2005	Henry	D26/59
D589,646 S	*	3/2009	Sabernig	D26/110
D598,596 S	*	8/2009	Sabernig	D26/65
D608,734 S	*	1/2010	Smith	D13/107
D632,826 S	*	2/2011	Sabernig	D26/110
D659,889 S	*	5/2012	Sabernig	D26/110
D709,235 S	*	7/2014	Chu	D26/65
D747,028 S	*	1/2016	Liang	D26/107
D810,352 S	*	2/2018	Bibby	D26/107
D810,995 S	*	2/2018	de la Haye	D26/107
D818,630 S	*	5/2018	Zhou et al.		
D829,355 S	*	9/2018	Li	A45D 42/10 D26/62
D861,228 S	*	9/2019	Grau	D26/93
D871,648 S	*	12/2019	Tong	D26/107

(Continued)

FOREIGN PATENT DOCUMENTS

CN	306698977	*	7/2021
EM	008456636-0002	*	3/2021

OTHER PUBLICATIONS

LEFUYAN Sunset Projection Led Light, Jan. 9, 2021, Amazon.com, site visited Oct. 27, 2021, url: <https://www.amazon.com/Projection-Romantic-Projector-Birthday-Charging/dp/B08SJ3THQF?th=1> (Jan. 2021).*

(Continued)

Primary Examiner — T Chase Nelson
Assistant Examiner — Rachel Wolfe

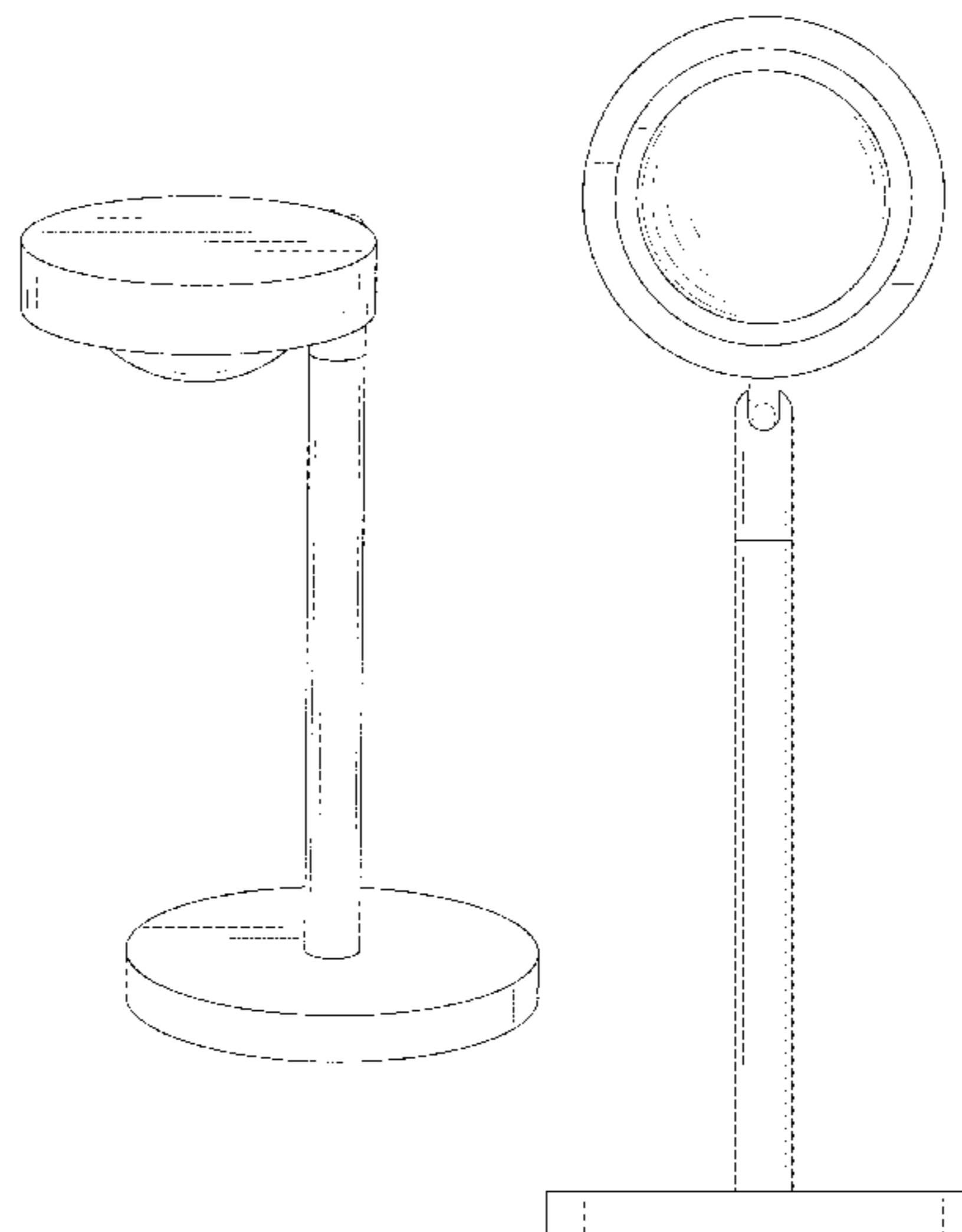
(57) **CLAIM**

The ornamental design for a lamp, as shown and described.

DESCRIPTION

FIG. 1 is a perspective view of a lamp showing my new design where the lamp is in a first configuration of use; FIG. 2 is a perspective view of the lamp where the lamp is in a second configuration of use; FIG. 3 is a perspective view of the lamp where the lamp is in a third configuration of use; FIG. 4 is another perspective view of the lamp where the lamp is in the first configuration of use; FIG. 5 is a front elevational view thereof; FIG. 6 is a rear elevational view thereof; FIG. 7 is a left side elevational view thereof; FIG. 8 is a right side elevational view thereof; FIG. 9 is a top plan view thereof; and, FIG. 10 is a bottom plan view thereof. The broken lines in the drawings depict portions of the lamp that form no part of the claimed design.

1 Claim, 10 Drawing Sheets



(56)

References Cited

U.S. PATENT DOCUMENTS

D872,347 S * 1/2020 Probyn F21V 21/0965
D26/106
D873,474 S * 1/2020 Wang D26/107
D876,699 S * 2/2020 Tang et al.
D889,023 S * 6/2020 Sun D26/107
D892,391 S * 8/2020 Tong D26/108
D909,662 S * 2/2021 Cvek D26/107
D931,515 S * 9/2021 Zhang D26/63
2002/0163811 A1 * 11/2002 Sipala F21V 21/0965
362/398
2019/0003699 A1 * 1/2019 Mondora A45D 42/10

OTHER PUBLICATIONS

WOANWAY Sunset Projection Lamp, Mar. 4, 2021, Amazon.co.uk,
site visited Nov. 3, 2021, url: <https://www.amazon.co.uk/dp/B08XZHNMPK> (Mar. 2021).*

YCSD Sunset Projection Led Light, Feb. 22, 2021, Amazon, site
visited Nov. 3, 2021, url: <https://www.amazon.com/dp/B08T9FZSG4> (Feb. 2021).*

* cited by examiner

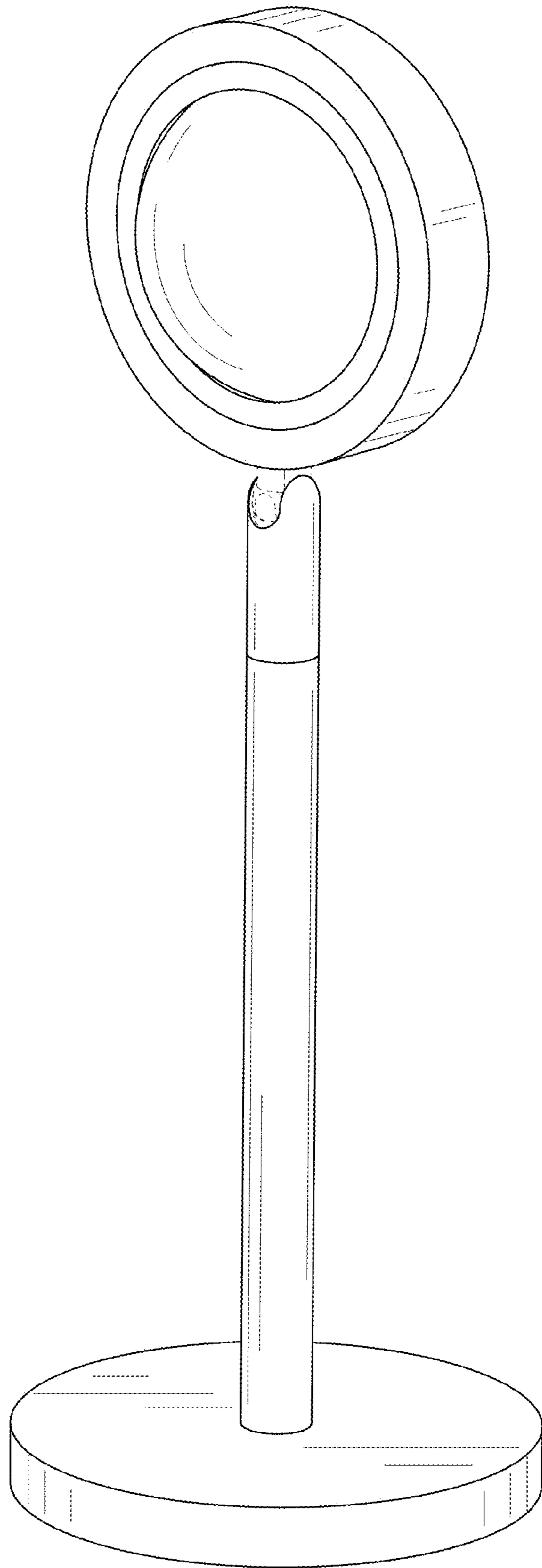


FIG. 1

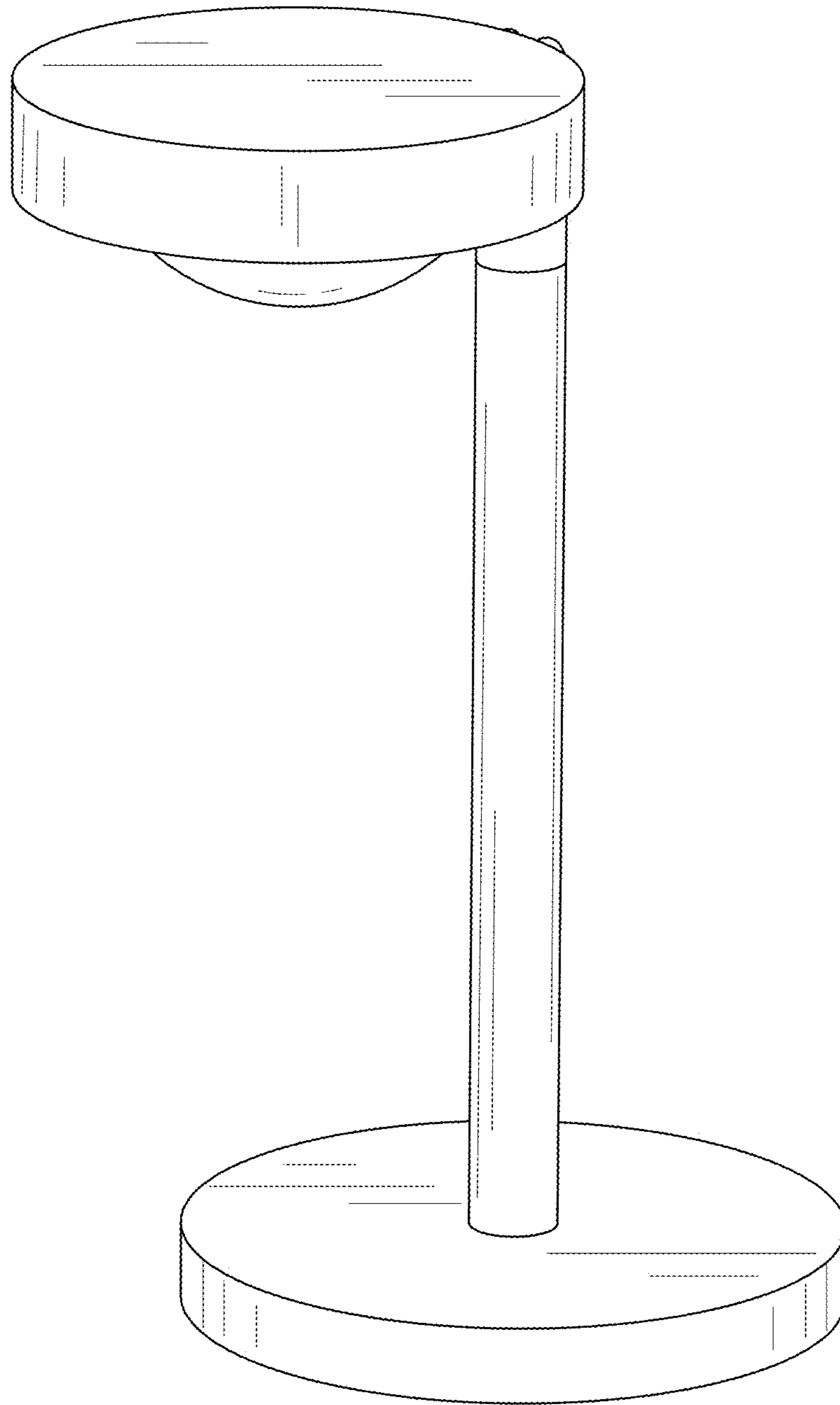


FIG. 2

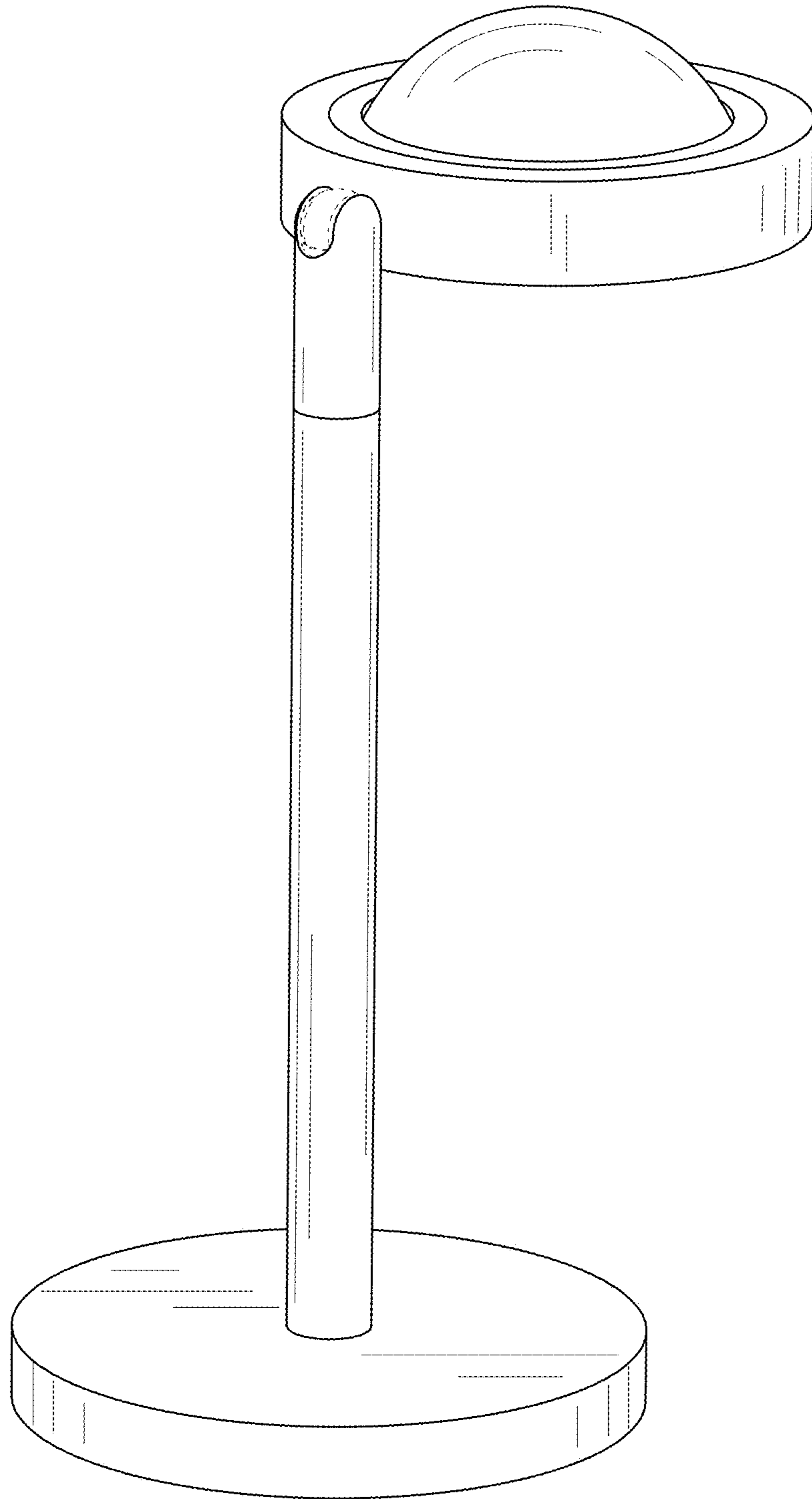


FIG. 3

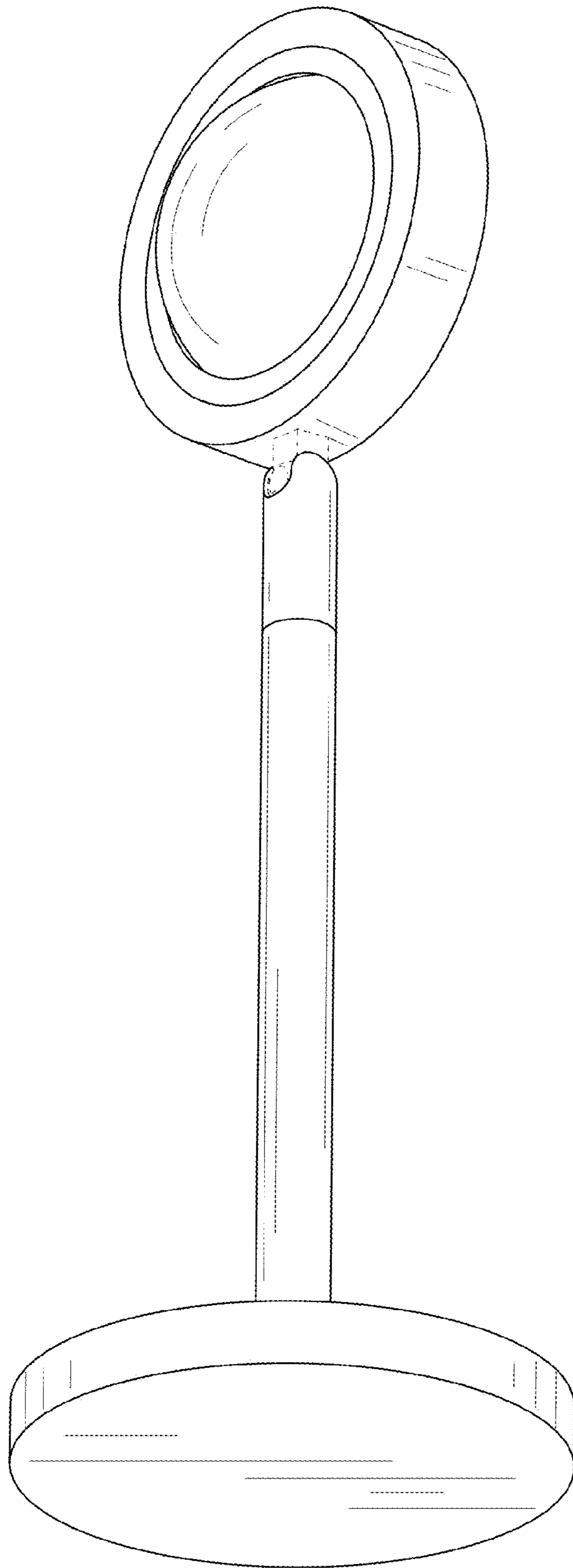


FIG. 4

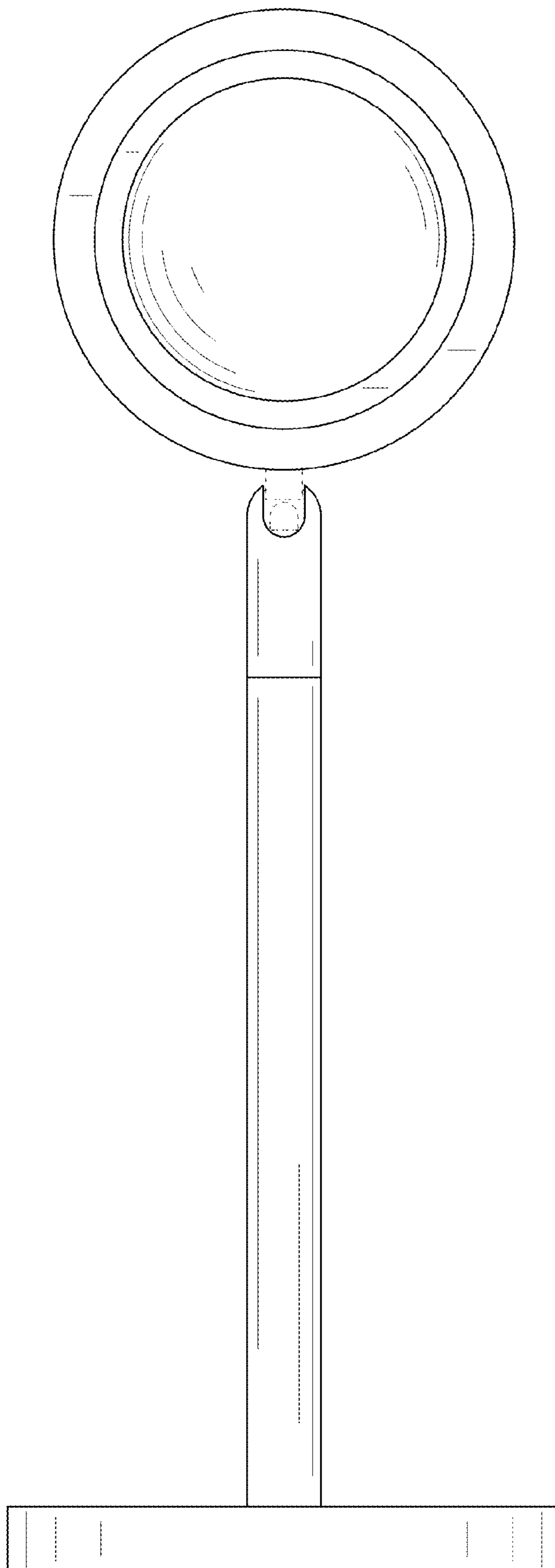


FIG. 5

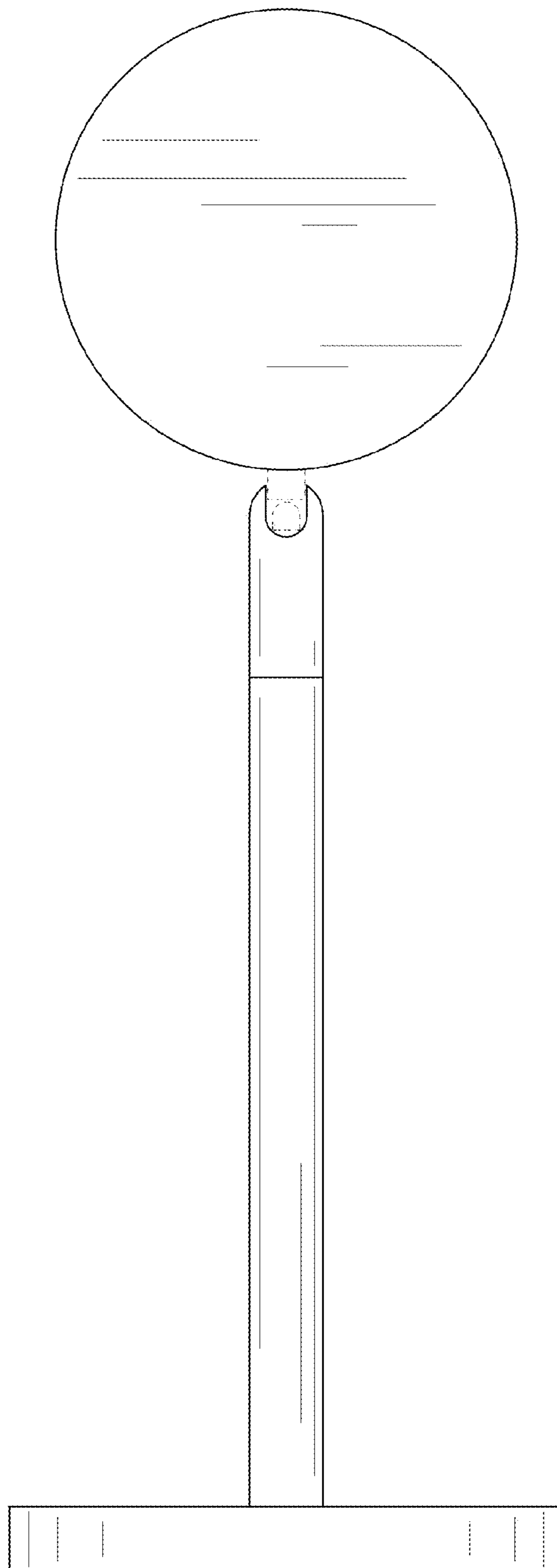


FIG. 6

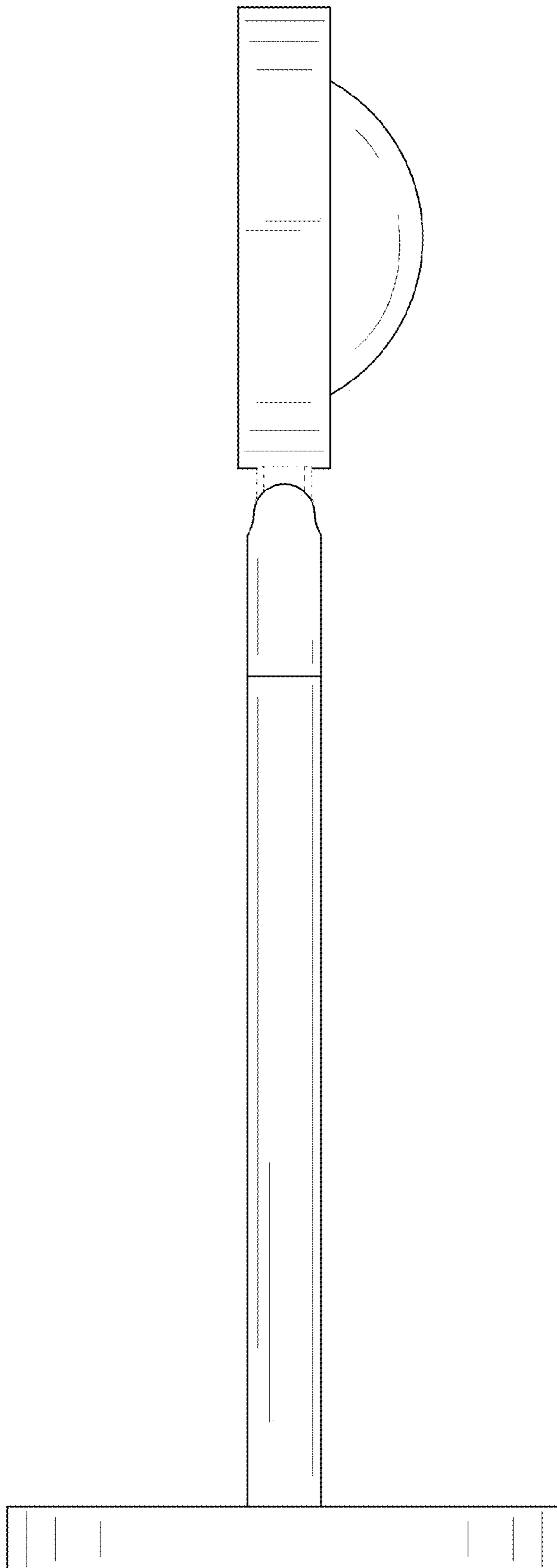


FIG. 7

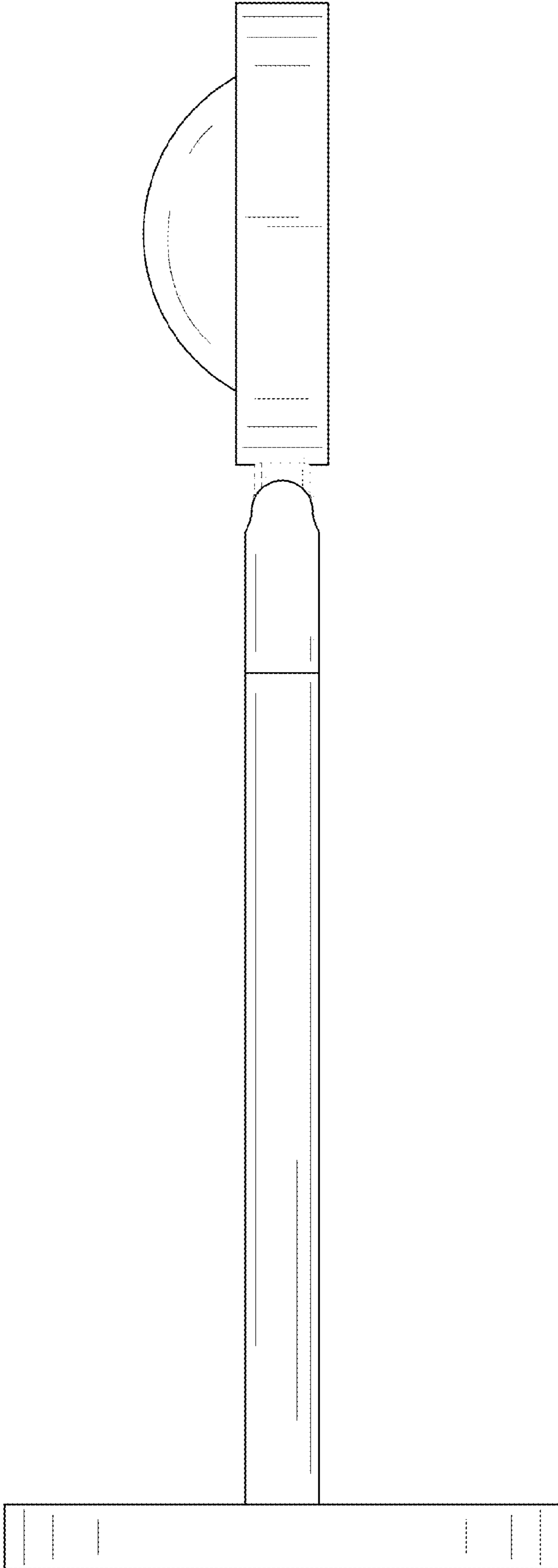


FIG. 8

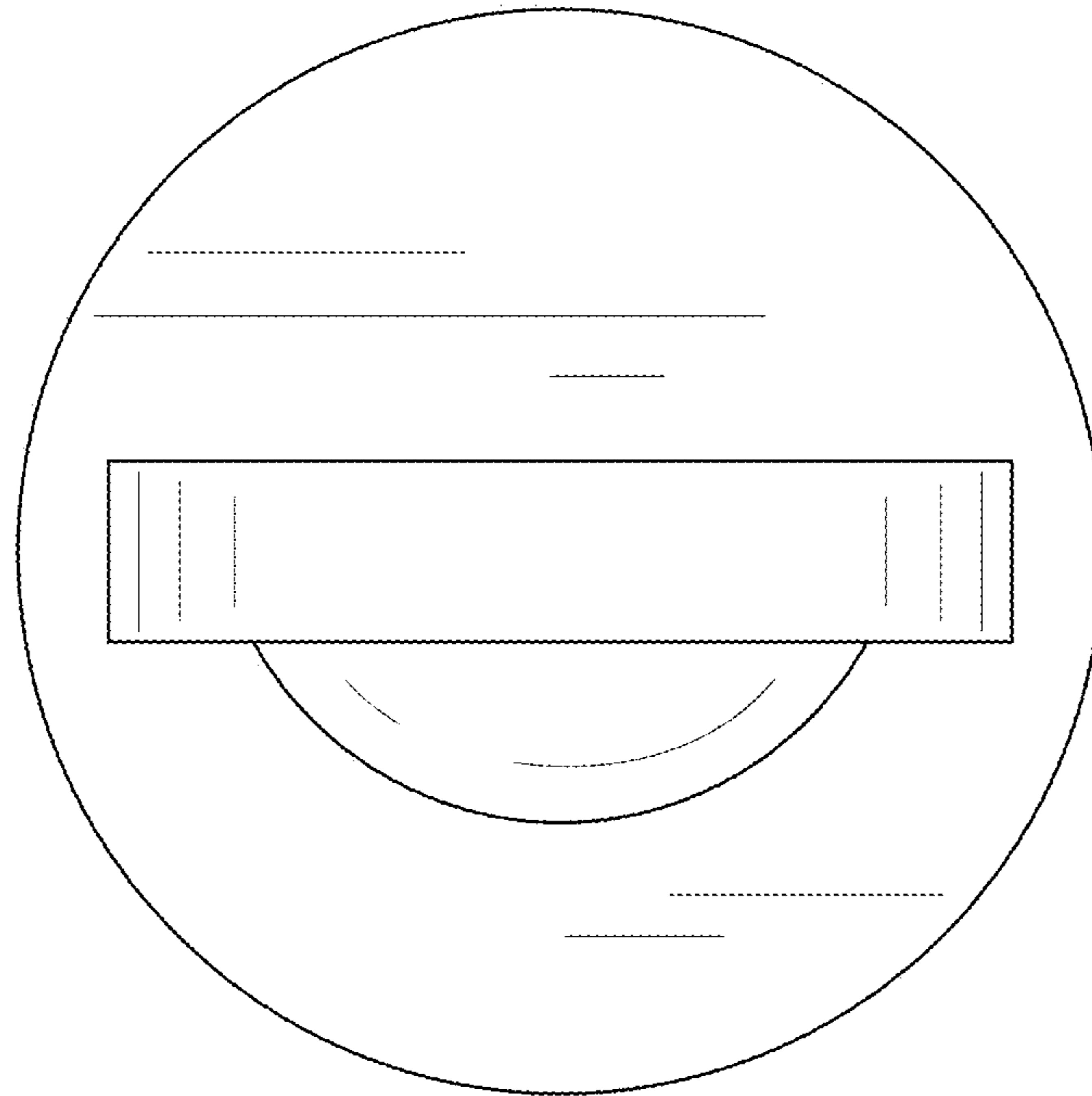


FIG. 9

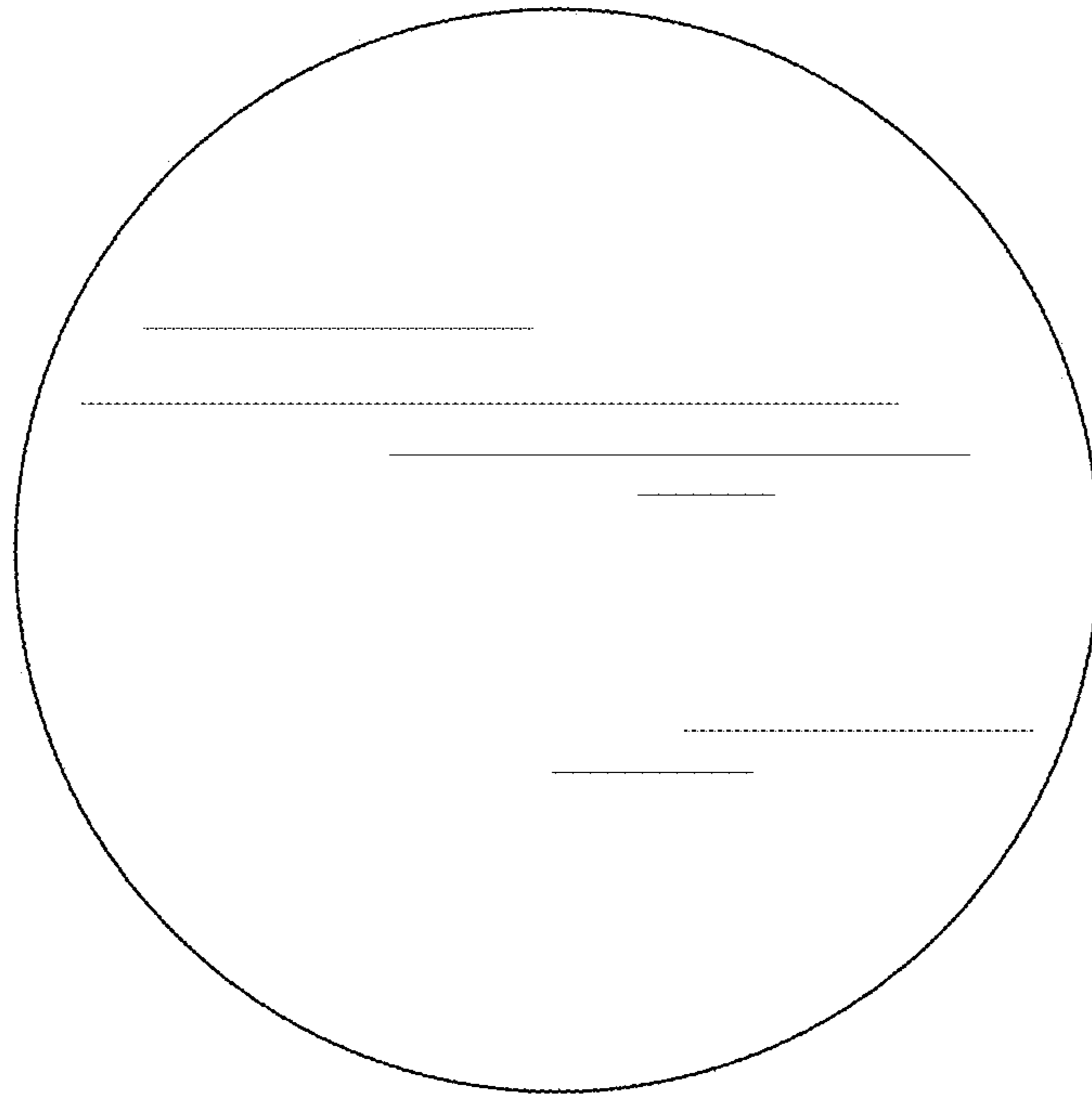


FIG. 10