

US00D946803S

(12) **United States Design Patent**
Pang

(10) **Patent No.:** **US D946,803 S**
(45) **Date of Patent:** **** Mar. 22, 2022**

(54) **SCREEN BAR LAMP**
(71) Applicant: **ZHEJIANG TOPMB ELECTRICAL LIGHTING CO., LTD**, Shaoxing (CN)
(72) Inventor: **Lingling Pang**, Shaoxing (CN)
(73) Assignee: **ZHEJIANG TOPMB ELECTRICAL LIGHTING CO., LTD**, Shaoxing (CN)

D536,110 S * 1/2007 Wright F21V 21/26
D26/24
D536,467 S * 2/2007 Geringer H05B 47/10
D26/60
D563,013 S * 2/2008 Levine D26/63
D563,582 S * 3/2008 Levine D26/63
D620,634 S * 7/2010 Komar D26/106
D621,082 S * 8/2010 Coughaine F21V 21/26
D26/61

(Continued)

(**) Term: **15 Years**
(21) Appl. No.: **29/691,642**
(22) Filed: **May 17, 2019**

FOREIGN PATENT DOCUMENTS

EM 007213285-0002 * 11/2019

(30) **Foreign Application Priority Data**

Apr. 17, 2019 (CN) 201930175724.3

(51) **LOC (13) Cl.** **26-05**
(52) **U.S. Cl.**
USPC **D26/60; D26/61**

(58) **Field of Classification Search**
USPC D26/37, 39, 60, 28, 51, 61, 62, 63, 72,
D26/81, 92
CPC A42B 1/244; B62J 6/02; F21S 4/00; F21V
21/00; F21V 21/088; F21V 21/14; F21V
21/02; F21V 21/08; F21V 21/26; F21V
33/00
See application file for complete search history.

OTHER PUBLICATIONS

Pegasus LED Battery Operated Picture Light, Jun. 25, 2014, YouTube, site visited Nov. 15, 2021, url: <https://www.youtube.com/watch?v=JThdVBH9Zbs> (Year: 2014).*

(Continued)

Primary Examiner — T Chase Nelson
Assistant Examiner — Rachel Wolfe
(74) *Attorney, Agent, or Firm* — Charles C. Achkar;
Ostrolenk Faber LLP.

(57) **CLAIM**

The ornamental design for a screen bar lamp, as shown and described.

(56) **References Cited**

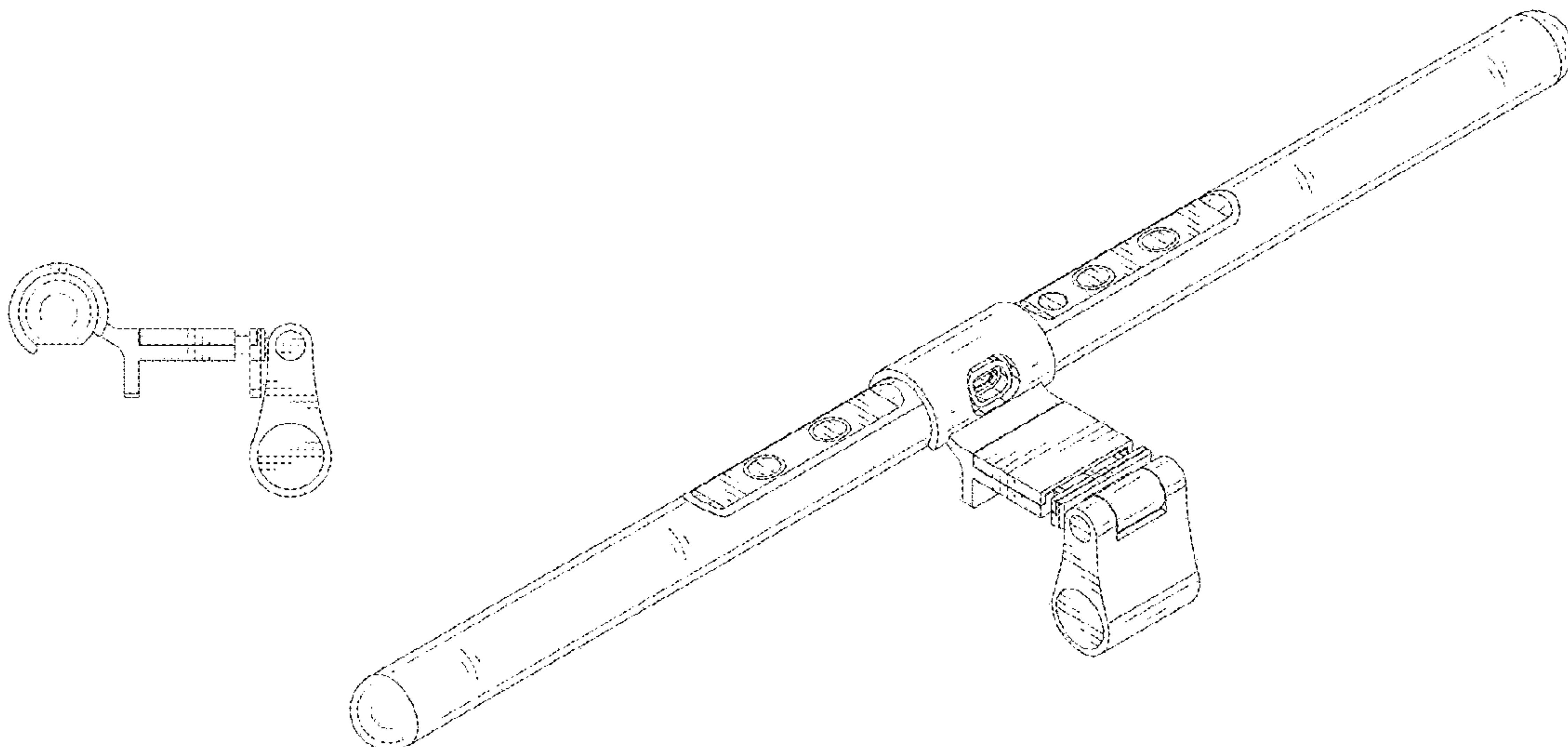
U.S. PATENT DOCUMENTS

D155,488 S * 10/1949 Crockett F21V 21/14
D26/60
D175,933 S * 11/1955 Crockett F21S 2/005
D26/60
D322,327 S * 12/1991 Short F21S 8/04
D26/37
D351,920 S * 10/1994 Nagy B62J 6/02
D26/65
5,722,754 A * 3/1998 Langner H05B 47/10
362/1

DESCRIPTION

FIG. 1 is a front elevational view of my new design;
FIG. 2 is a rear elevational view thereof;
FIG. 3 is a right side elevational view thereof;
FIG. 4 is a left side elevational view thereof;
FIG. 5 is a top plan view thereof;
FIG. 6 is a bottom plan view thereof;
FIG. 7 is a bottom, right perspective view thereof; and,
FIG. 8 is a top, left perspective view thereof.

1 Claim, 8 Drawing Sheets



(56)

References Cited

U.S. PATENT DOCUMENTS

D626,264 S * 10/2010 Liu D26/61
D656,259 S * 3/2012 Ku D26/37
D774,668 S * 12/2016 Ellis D26/3
D780,967 S * 3/2017 Geddes D26/60
D819,868 S * 6/2018 Qiao G03B 15/03
D26/87
10,731,833 B2 * 8/2020 Tsai F21V 21/14
D907,276 S * 1/2021 Jiang D26/87
D914,259 S * 3/2021 Kipp F21V 21/14
D26/58
2006/0256584 A1 * 11/2006 Paoluccio F21S 2/005
362/652
2009/0190348 A1 * 7/2009 Lin F21S 8/04
362/235
2013/0033883 A1 * 2/2013 Ward B62J 6/02
362/474
2017/0261198 A1 * 9/2017 Shiell G03B 15/03
2018/0363889 A1 * 12/2018 Yen F21V 19/009
2019/0353343 A1 * 11/2019 Pan F21V 21/26
2021/0088179 A1 * 3/2021 Pang F16M 13/02

OTHER PUBLICATIONS

BenQ ScreenBar e-Reading Lamp, Nov. 6, 2017, YouTube, site visited Nov. 18, 2021, url: <https://www.youtube.com/watch?v=hlhEd2GD-Eg> (Year: 2017).*

Quntis Computer Monitor Light, Sep. 8, 2020, Amazon, site visited Nov. 18, 2021, url: <https://www.amazon.com/dp/B08HMLKS2N> (Year: 2020).*

* cited by examiner

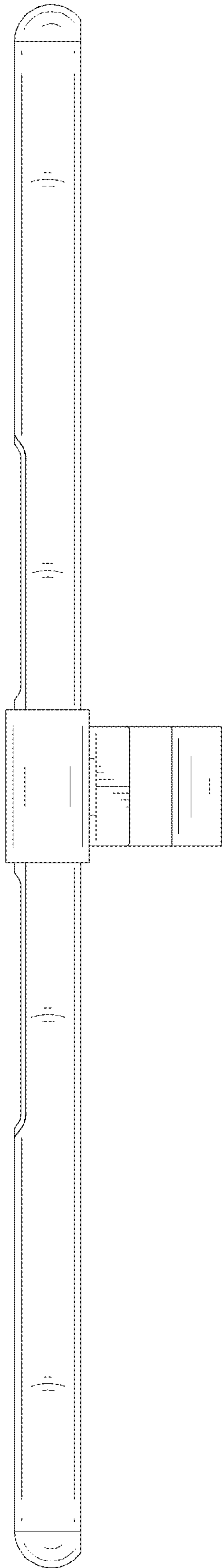


FIG.1

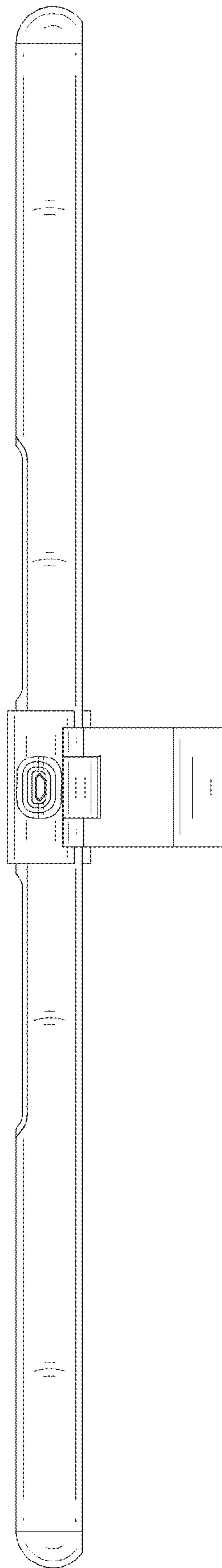


FIG.2

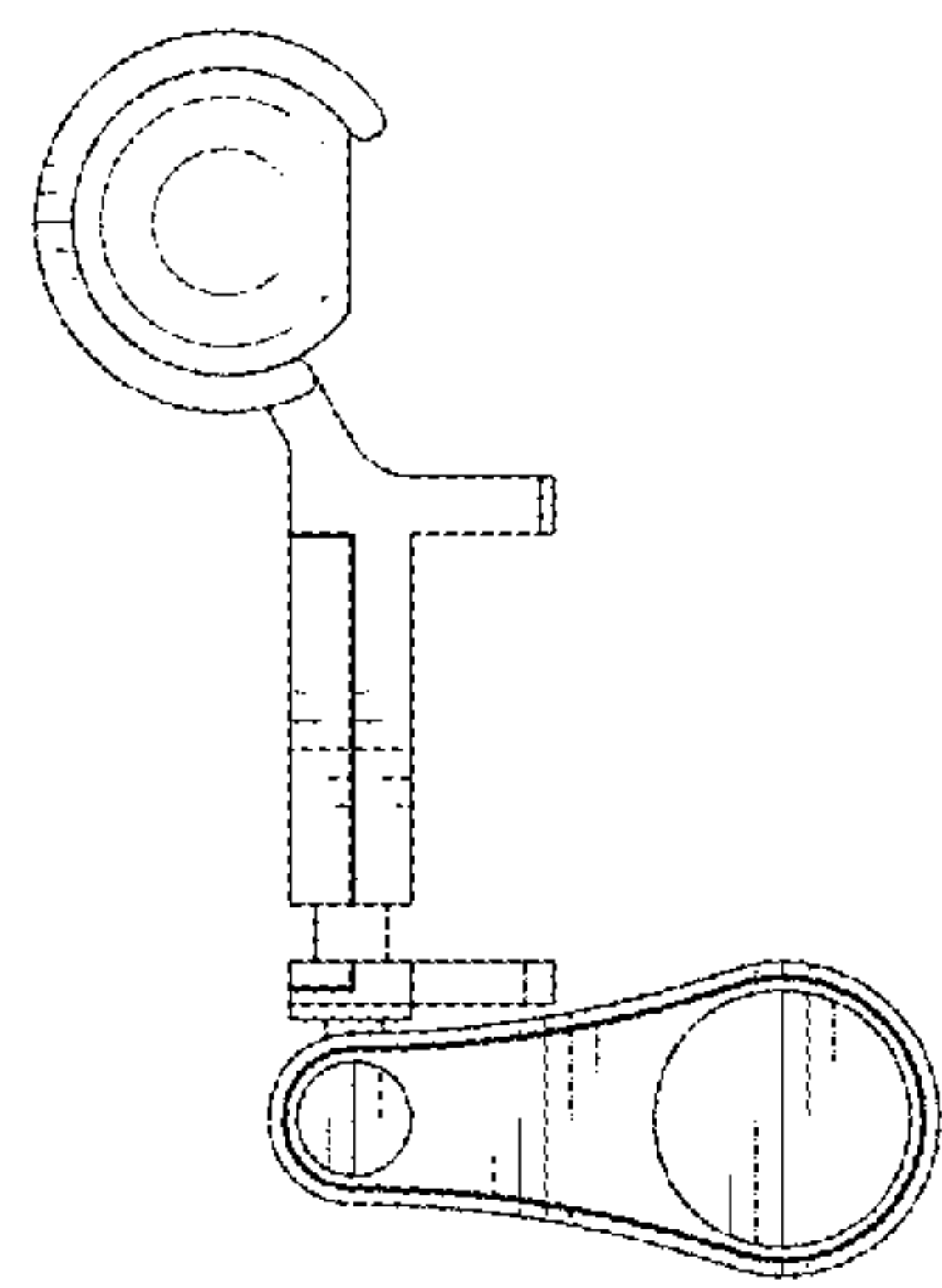


FIG.3

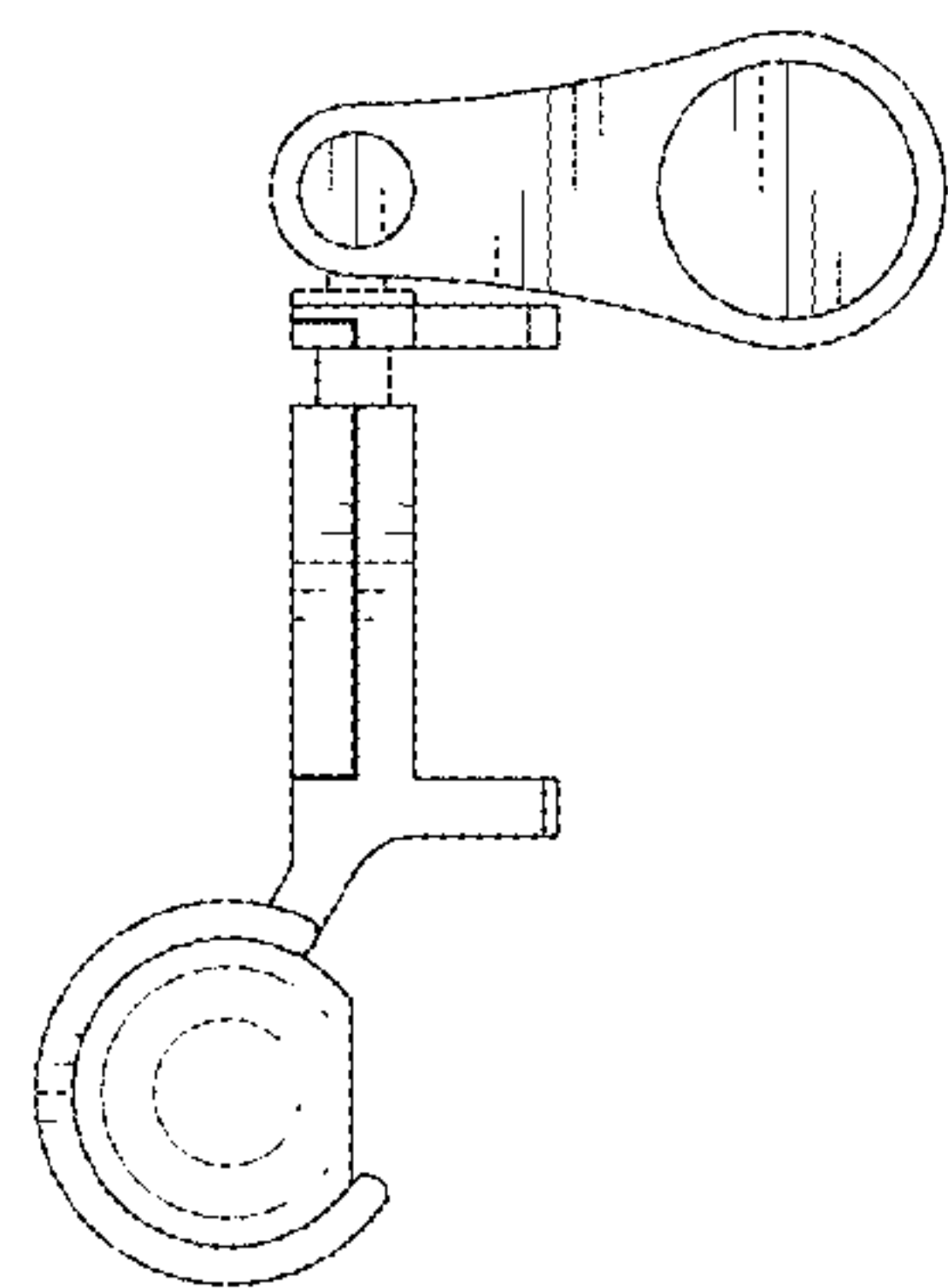


FIG.4

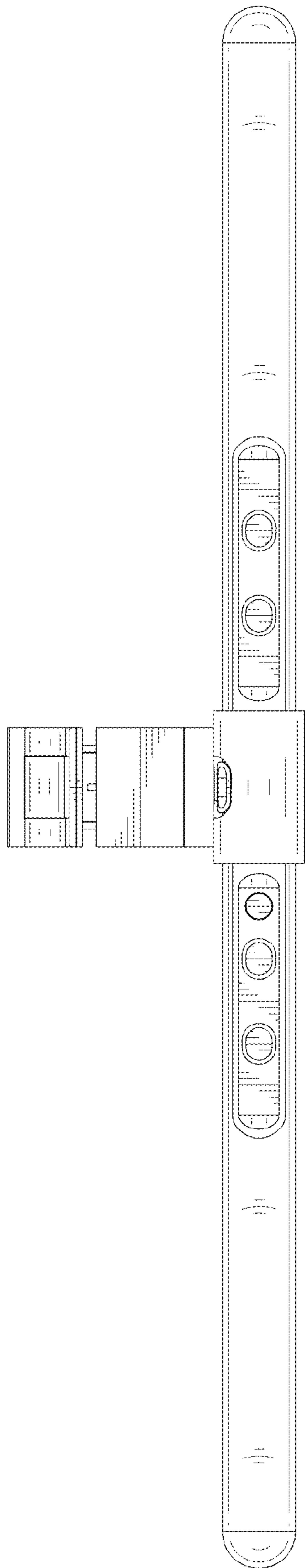


FIG.5

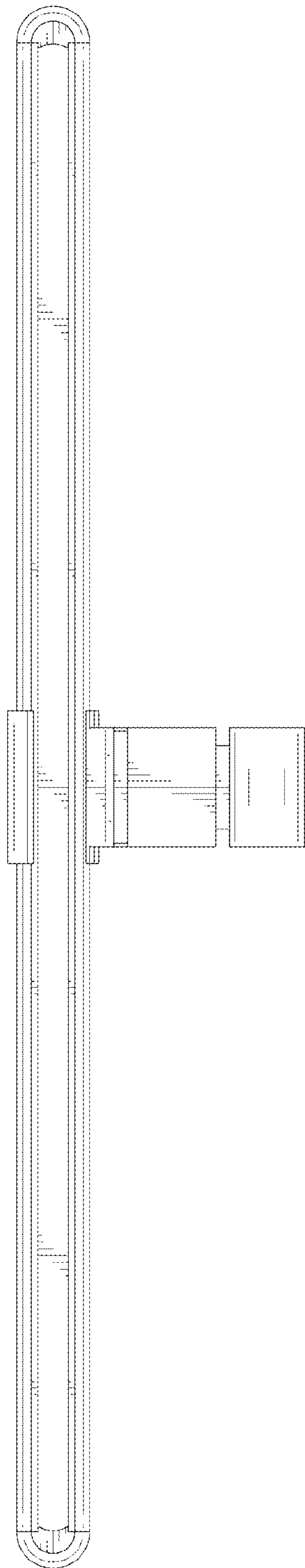


FIG.6

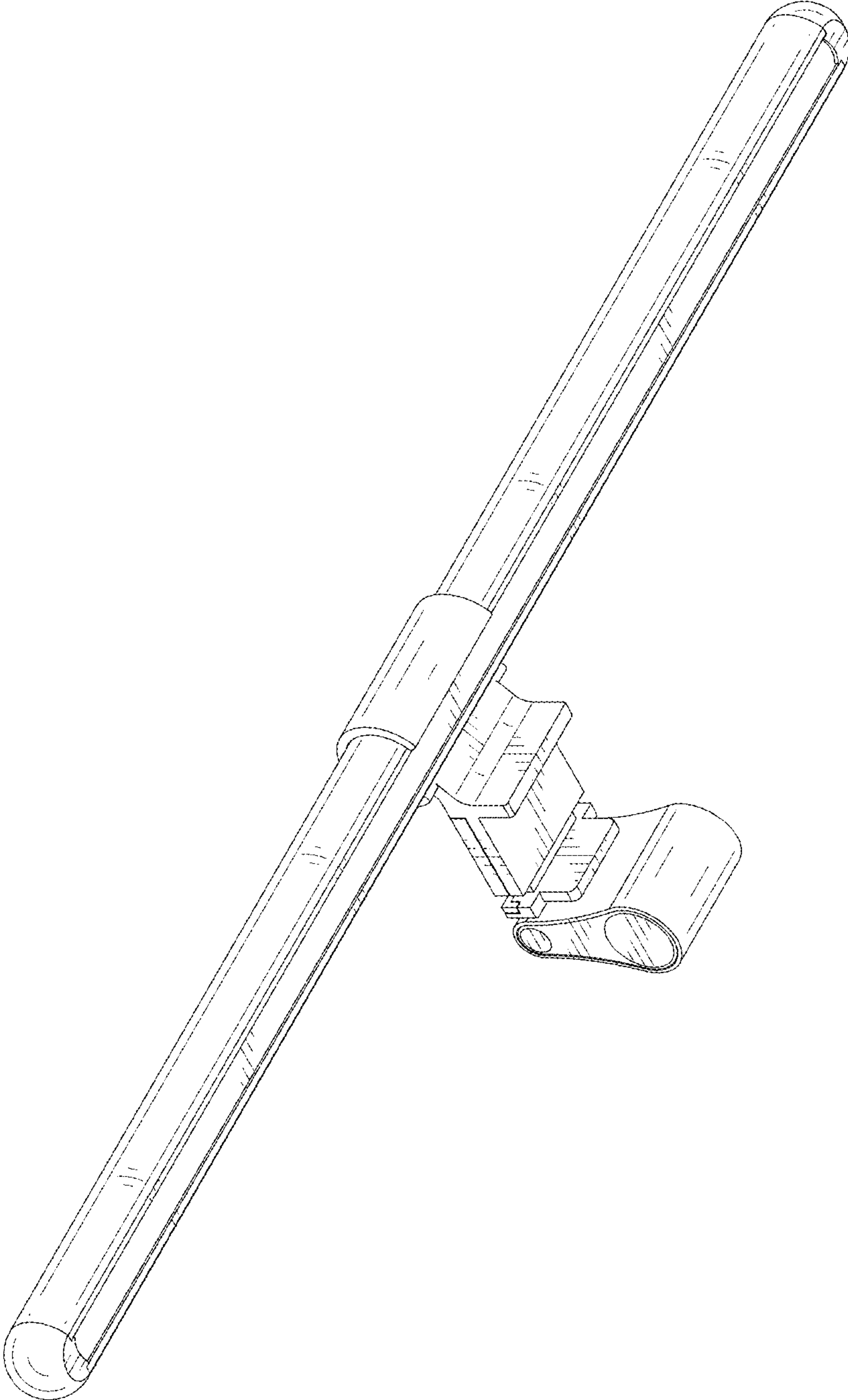


FIG.7

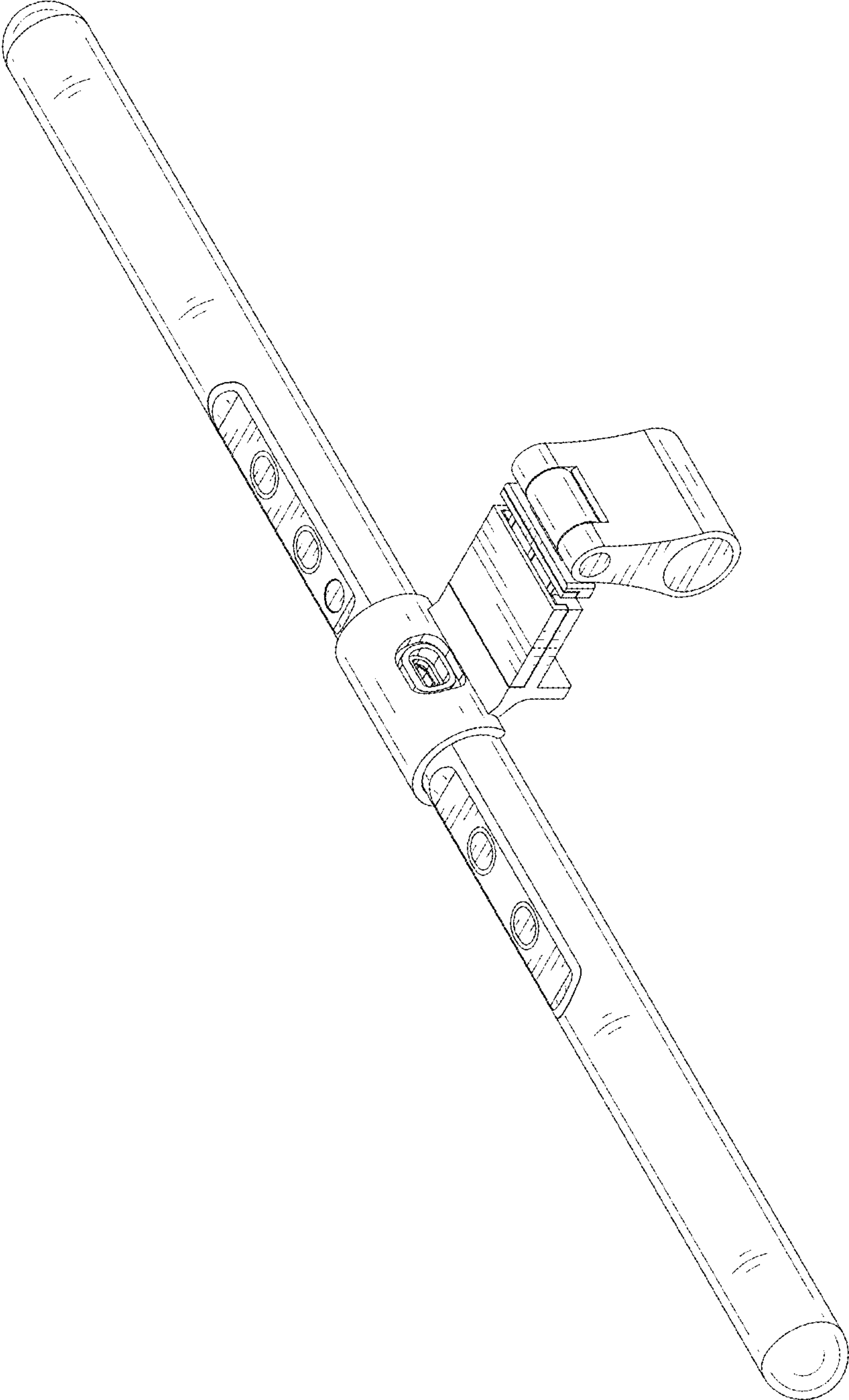


FIG.8