



US00D946799S

(12) **United States Design Patent**
Yang

(10) **Patent No.:** **US D946,799 S**
(45) **Date of Patent:** **** Mar. 22, 2022**

(54) **PEN FLASHLIGHT**

(71) Applicant: **Wenling Yang**, Zhoukou (CN)

(72) Inventor: **Wenling Yang**, Zhoukou (CN)

(**) Term: **15 Years**

(21) Appl. No.: **29/779,967**

(22) Filed: **Apr. 21, 2021**

(51) **LOC (13) Cl.** **26-02**

(52) **U.S. Cl.**
USPC **D26/49**

(58) **Field of Classification Search**

USPC D26/24, 37-52, 113, 118-119, 138
CPC F21Y 2115/10; F21Y 2113/13; F21Y
2103/10; F21Y 2101/00; F21Y 2107/40;
F21Y 2105/10; F21Y 2105/18; F21Y
2107/30; F21Y 2113/00; F21Y 2113/10;
F21Y 2113/17; F21Y 2113/20; F21L
4/005; F21L 4/027; F21L 4/085; F21L
4/08; F21L 4/045; F21L 4/00; F21L 4/02;
F21L 4/022; F21L 4/025; F21L 4/04;
F21L 13/00; F21L 14/02; F21L 2/00;
F21V 23/0414; F21V 23/0428; F21V
21/0965; F21V 23/0421; F21V 15/01;
F21V 21/0885; F21V 21/406; F21V
23/0407; F21V 23/06; F21V 33/0064;
F21V 33/0084; F21V 14/025; F21V
23/003; F21V 14/065; F21V 21/084;
F21V 23/04; F21V 7/0075; F21V 21/08;
F21V 21/30; F21V 23/0435; F21V 31/00;
F21V 31/005; F21V 5/006; F21V 14/045;
F21V 15/012; F21V 17/12; F21V 19/02;
F21V 21/0816; F21V 21/0925; F21V
23/0464; F21V 23/0471; F21V 33/0076;
F21V 33/008; F21V 5/04; F21V 13/045;
F21V 17/002; F21V 21/096; F21V
21/145; F21V 23/023; F21V 23/0442;
F21V 29/70; F21V 33/0068; F21V 3/00;
F21V 7/0083; F21V 9/083; F21V 9/20;
F21V 13/14; F21V 14/04; F21V 14/06;
F21V 15/00; F21V 17/02; F21V 17/06;

F21V 17/10; F21V 17/105; F21V 17/107;
F21V 19/001; F21V 19/047; F21V 21/00;
F21V 21/002; F21V 21/06; F21V 21/14;
F21V 21/22; F21V 21/26; F21V 21/32;
F21V 23/001; F21V 23/002; F21V
23/005; F21V 23/02; F21V 23/045; F21V
23/0492; F21V 25/04; F21V

(Continued)

(56) **References Cited**

U.S. PATENT DOCUMENTS

D499,499 S * 12/2004 Cetera D26/37
D517,230 S * 3/2006 Ho D26/37

(Continued)

OTHER PUBLICATIONS

Dihao Mini Flashlight. By Dihao. Dated Jan. 25, 2022. Found
online [Jan. 25, 2022]. https://www.alibaba.com/product-detail/DIHAO-Mini-Flashlight-Medical-Handy-Pen_62581099808.html?spm=a2700.galleryofferlist.normal_offer.d_title.789e203aYw1GQH (Year: 2022).*

Primary Examiner — Marissa J Cash
Assistant Examiner — William B Melliar

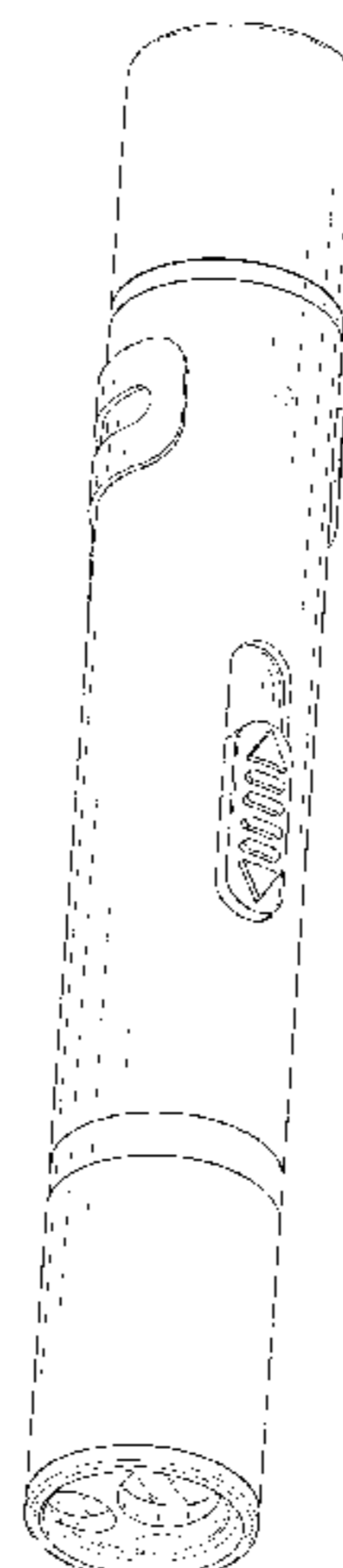
(57) **CLAIM**

The ornamental design for a pen flashlight, as shown and
described.

DESCRIPTION

FIG. 1 is a perspective view of a pen flashlight showing my
new design;
FIG. 2 is another perspective view thereof;
FIG. 3 is a front elevational view thereof;
FIG. 4 is a rear elevational view thereof;
FIG. 5 is a left side elevational view thereof;
FIG. 6 is a right side elevational view thereof;
FIG. 7 is a top plan view thereof; and,
FIG. 8 is a bottom plan view thereof.

(Continued)



The broken lines in the drawings depict portions of the pen flashlight that form no part of the claimed design.

1 Claim, 8 Drawing Sheets

(58) Field of Classification Search

CPC 29/15; F21V 29/503; F21V 29/508; F21V
29/713; F21V 29/763; F21V 29/767;
F21V 29/89; F21V 29/90; F21V 33/00;
F21V 33/0004; F21V 33/0052; F21V
3/02; F21V 5/00; F21V 5/007; F21V
5/008; F21V 5/046; F21V 5/048; F21V
5/08; F21V 7/0008; F21V 7/0091; F21V
7/04; F21V 7/041; F21V 7/06; F21V
7/22; F21V 7/24

See application file for complete search history.

(56) References Cited

U.S. PATENT DOCUMENTS

D518,906 S *	4/2006	Stoddard	D26/37
D535,418 S *	1/2007	Martin	D26/37
D544,116 S *	6/2007	Wai	D26/37
D578,687 S *	10/2008	Hong	D26/37
D601,190 S	9/2009	Liu	
D628,629 S	12/2010	Liu	
D661,734 S *	6/2012	Johnson	D19/130
D743,594 S *	11/2015	Scazziga	D26/37
D822,864 S *	7/2018	Windom	D26/51
D849,979 S *	5/2019	Lehovetzki	D26/49
D882,840 S *	4/2020	Liu	D26/49
D884,946 S *	5/2020	Muyshondt	D26/49

* cited by examiner

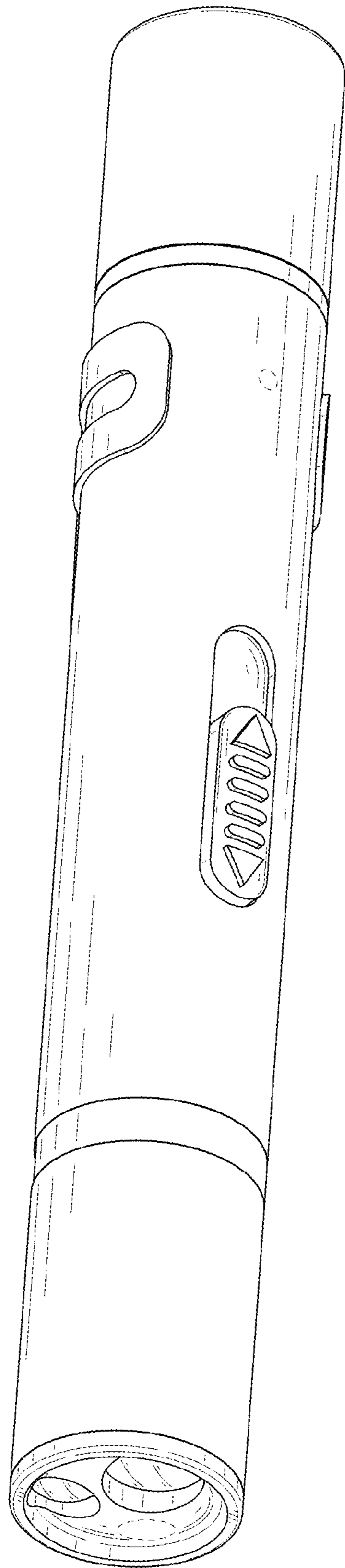


FIG. 1

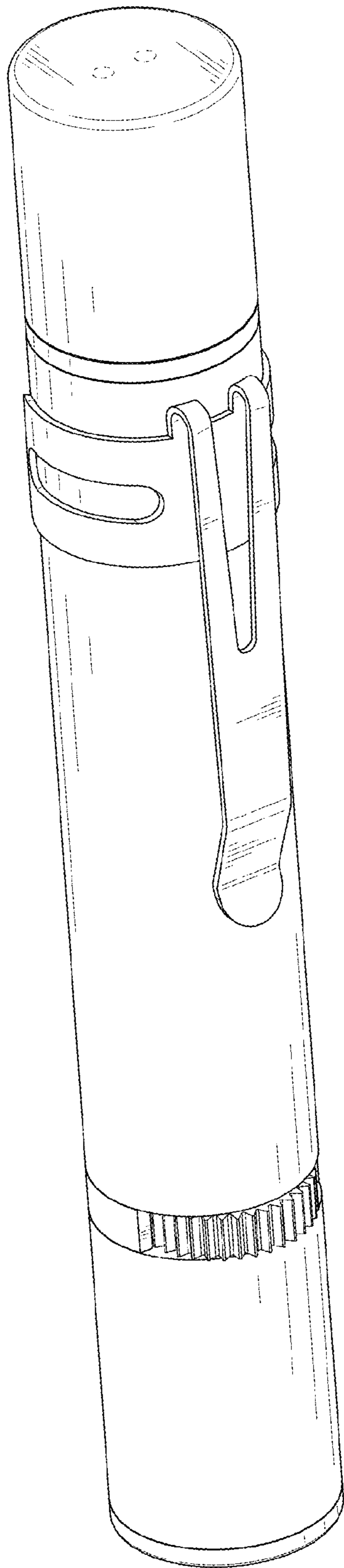


FIG. 2

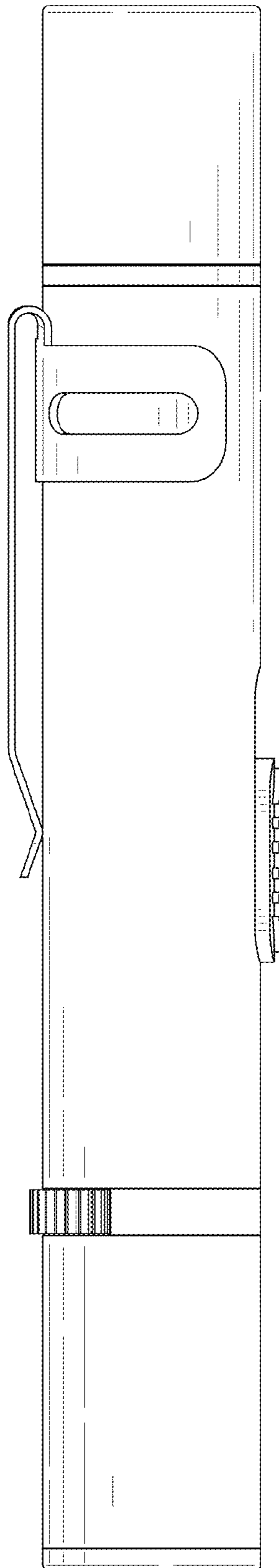


FIG. 3

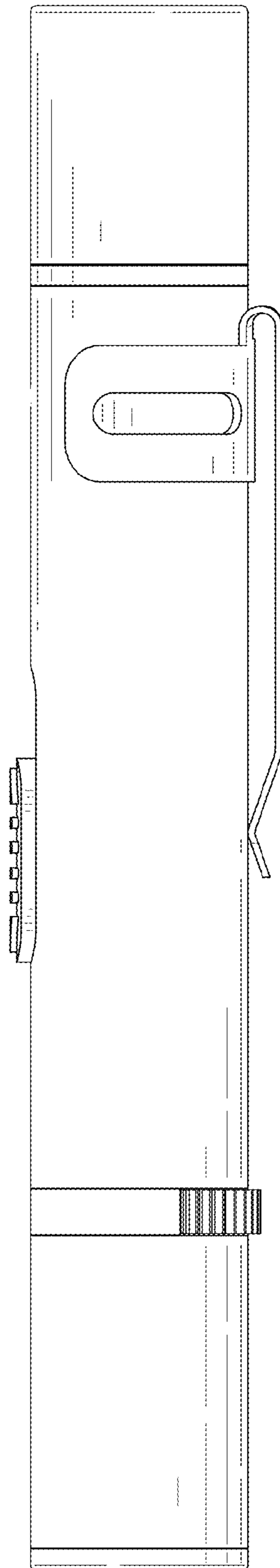


FIG. 4

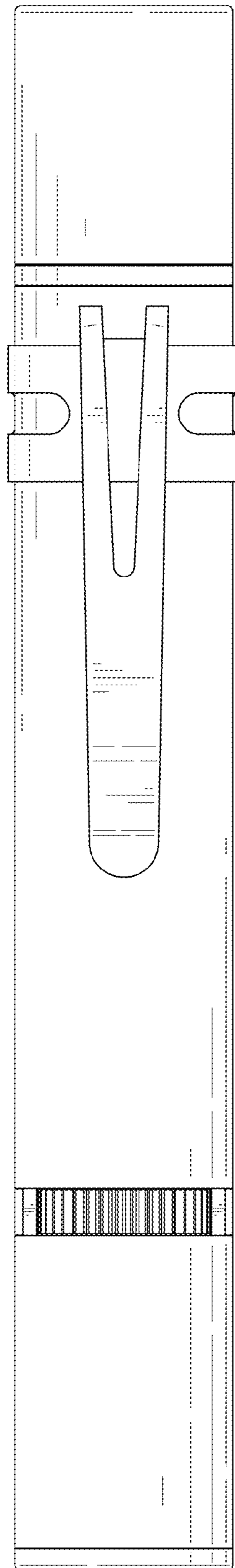


FIG. 5

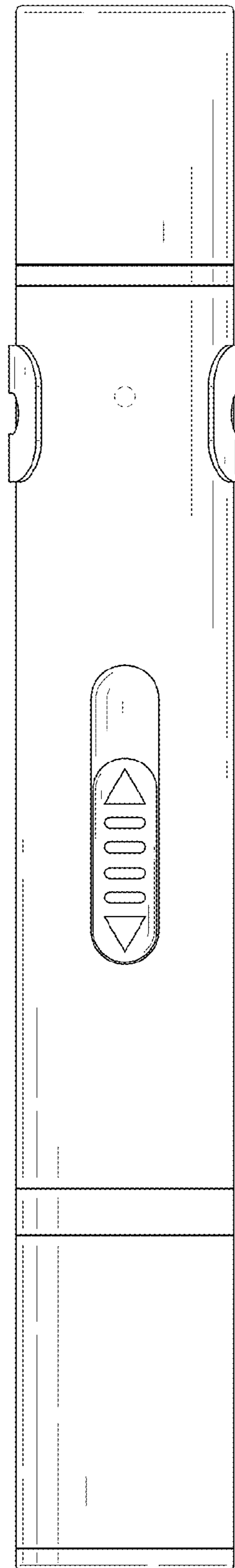


FIG. 6

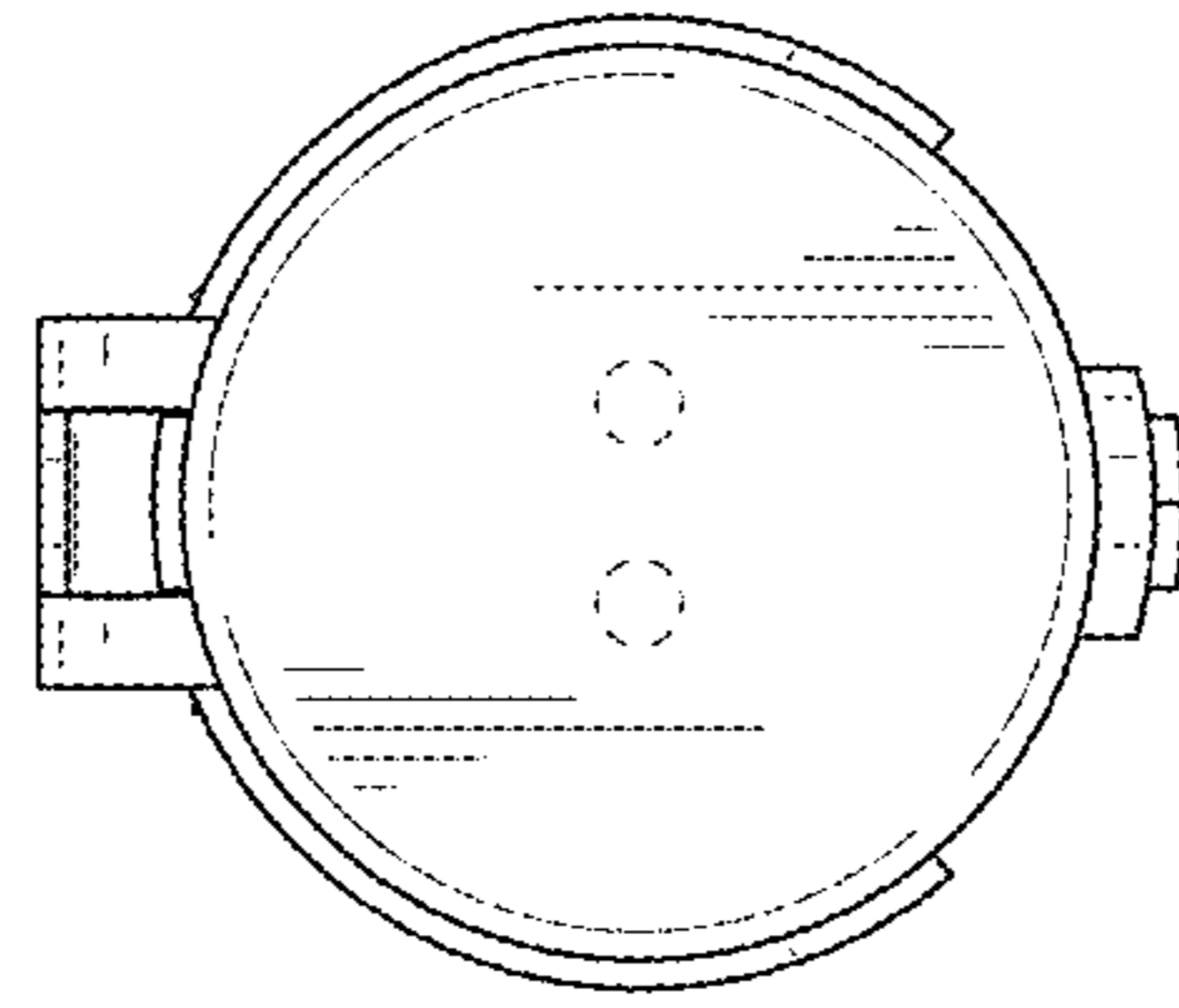


FIG. 7

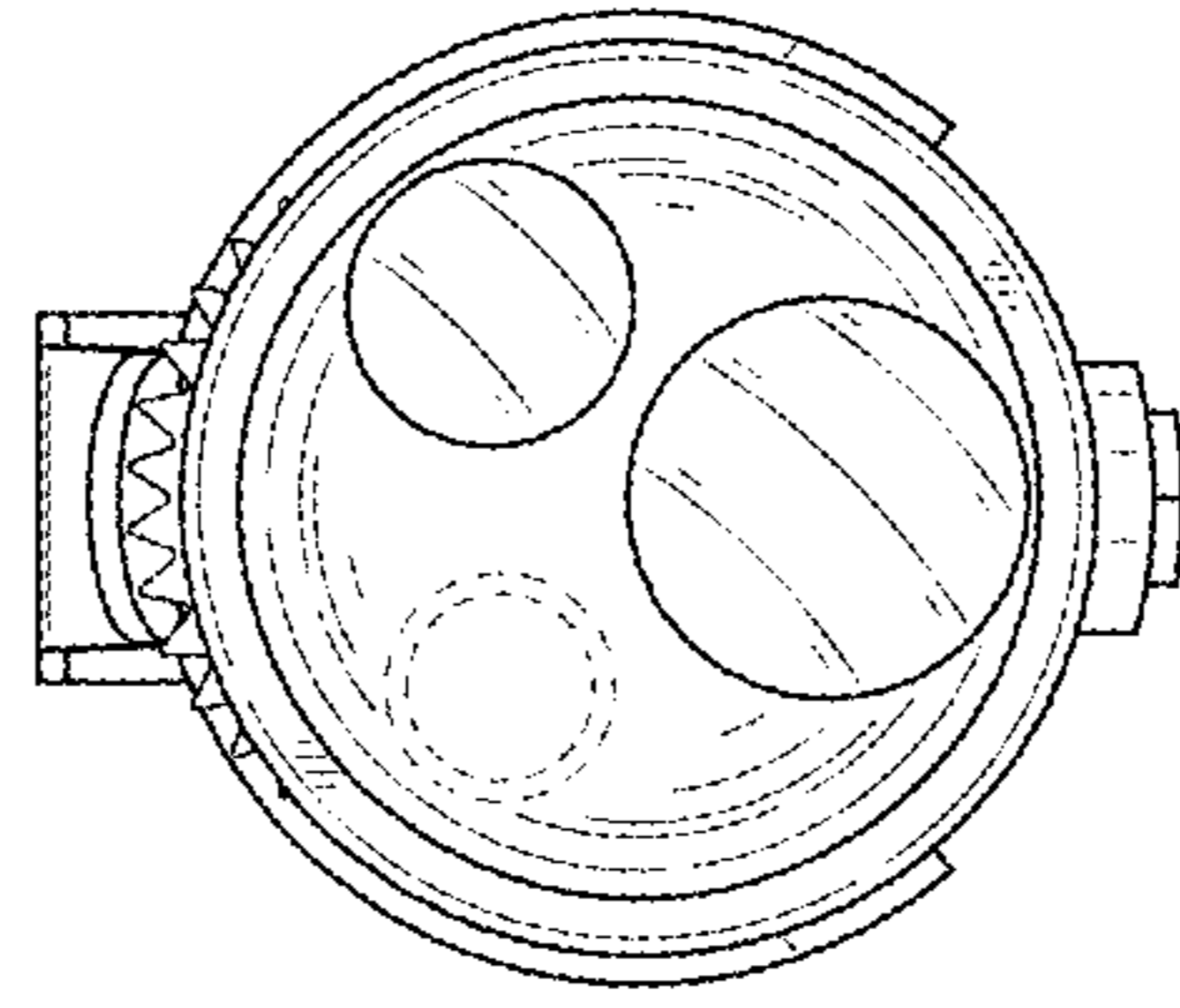


FIG. 8