

US00D946798S

(12) **United States Design Patent** (10) **Patent No.:** **US D946,798 S**
Ma (45) **Date of Patent:** **** Mar. 22, 2022**

(54) **LED TEMPORARY WORK LIGHT** D300,455 S * 3/1989 Sakai F21V 15/02
D23/336
(71) Applicant: **SHENZHEN NUOGUAN** 5,758,949 A * 6/1998 Van Deursen F21L 4/00
TECHNOLOGY CO., LTD., Shenzhen 362/162
(CN) 6,030,094 A * 2/2000 Sedovic F21L 4/00
362/183

(Continued)

(72) Inventor: **Liangliang Ma**, Shenzhen (CN)
(73) Assignee: **SHENZHEN NUOGUAN**
TECHNOLOGY CO., LTD., Shenzhen
(CN)

FOREIGN PATENT DOCUMENTS

CN 304921479 * 11/2018
CN 306198219 * 11/2020

(**) Term: **15 Years**

OTHER PUBLICATIONS

(21) Appl. No.: **29/767,772**

“User Manual TJSL-xKx LED Job Site Light,” May 1, 2019, superbrightleds.com, site visited Sep. 11, 2021, URL: https://d114hh0cykhyb0.cloudfront.net/pdfs/TJSL-xKx_manual.pdf (Year: 2019).*

(22) Filed: **Jan. 25, 2021**

(Continued)

(51) **LOC (13) Cl.** **26-02**

(52) **U.S. Cl.**
USPC **D26/41; D26/37**

(58) **Field of Classification Search**
USPC D26/37-44, 46-52, 67, 85, 87, 60, 61,
D26/36, 25, 27, 113; D10/109.1,
D10/111-115

CPC F21Y 2107/30; F21L 19/00; F21V 5/006;
F21V 21/0824; F21V 15/02; F21S 9/022;
F21W 2131/1005

See application file for complete search history.

Primary Examiner — Eric L Goodman
Assistant Examiner — Sarah L Smith

(57) **CLAIM**

The ornamental design for an LED temporary work light, as shown and described.

DESCRIPTION

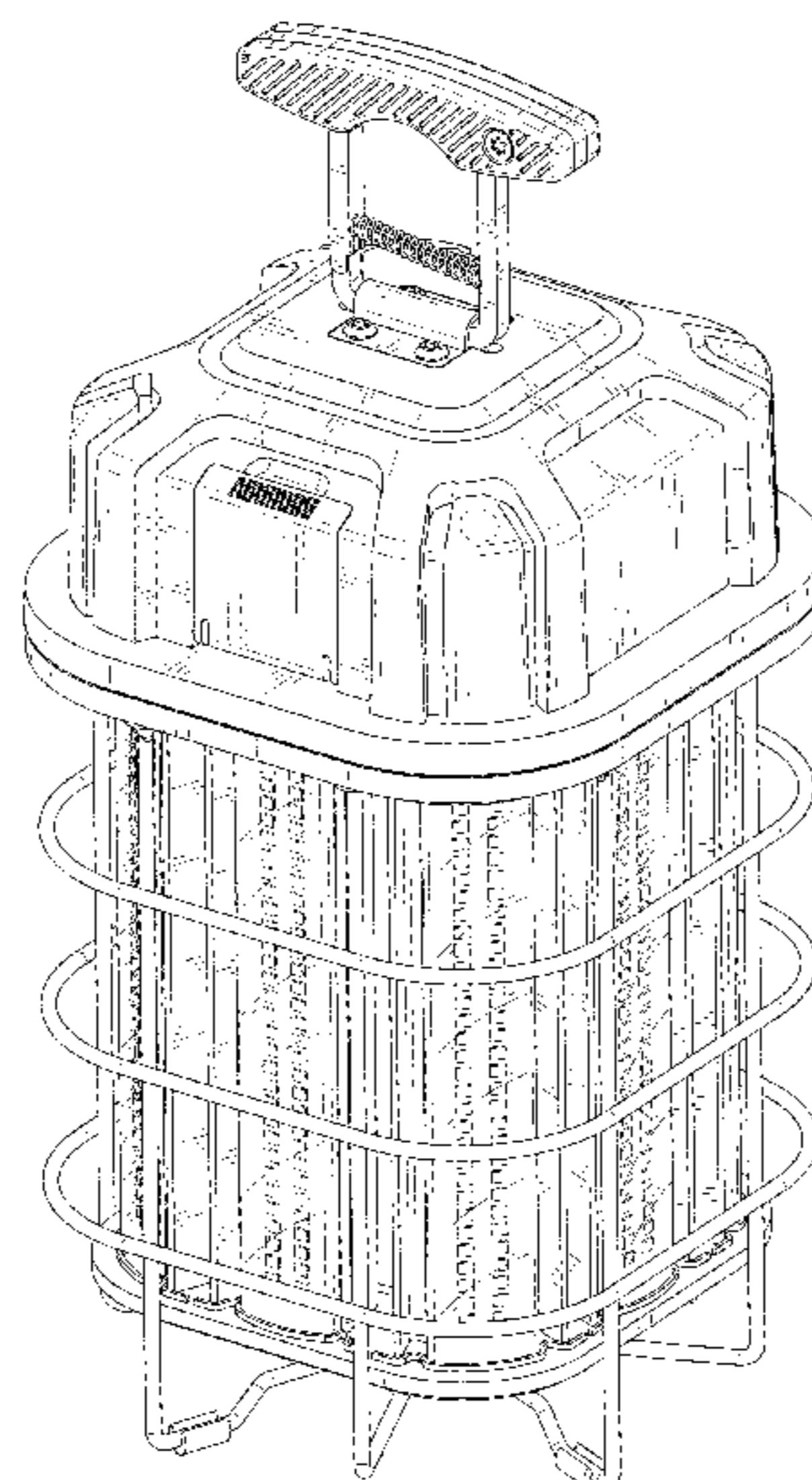
FIG. 1 is a perspective view of an LED temporary work light showing my new design;
FIG. 2 is another perspective view thereof;
FIG. 3 is a front elevational view thereof;
FIG. 4 is a rear elevational view thereof;
FIG. 5 is a left side elevational view thereof;
FIG. 6 is a right side elevational view thereof;
FIG. 7 is a top plan view thereof; and,
FIG. 8 is a bottom plan view thereof.
The broken lines in the drawings depict portions of the LED temporary work light that form no part of the claimed design.

(56) **References Cited**

U.S. PATENT DOCUMENTS

1,415,635 A * 5/1922 Hamm F21V 21/00
220/764
1,429,074 A * 9/1922 Griffith F21L 19/00
362/180
1,471,194 A * 10/1923 Annac F21L 19/00
246/488
1,477,923 A * 12/1923 Welton F21L 19/00
362/167
D172,524 S * 6/1954 Trow D26/41
D281,998 S * 12/1985 Amano D23/338
D295,312 S * 4/1988 Nakamura D23/338

1 Claim, 8 Drawing Sheets



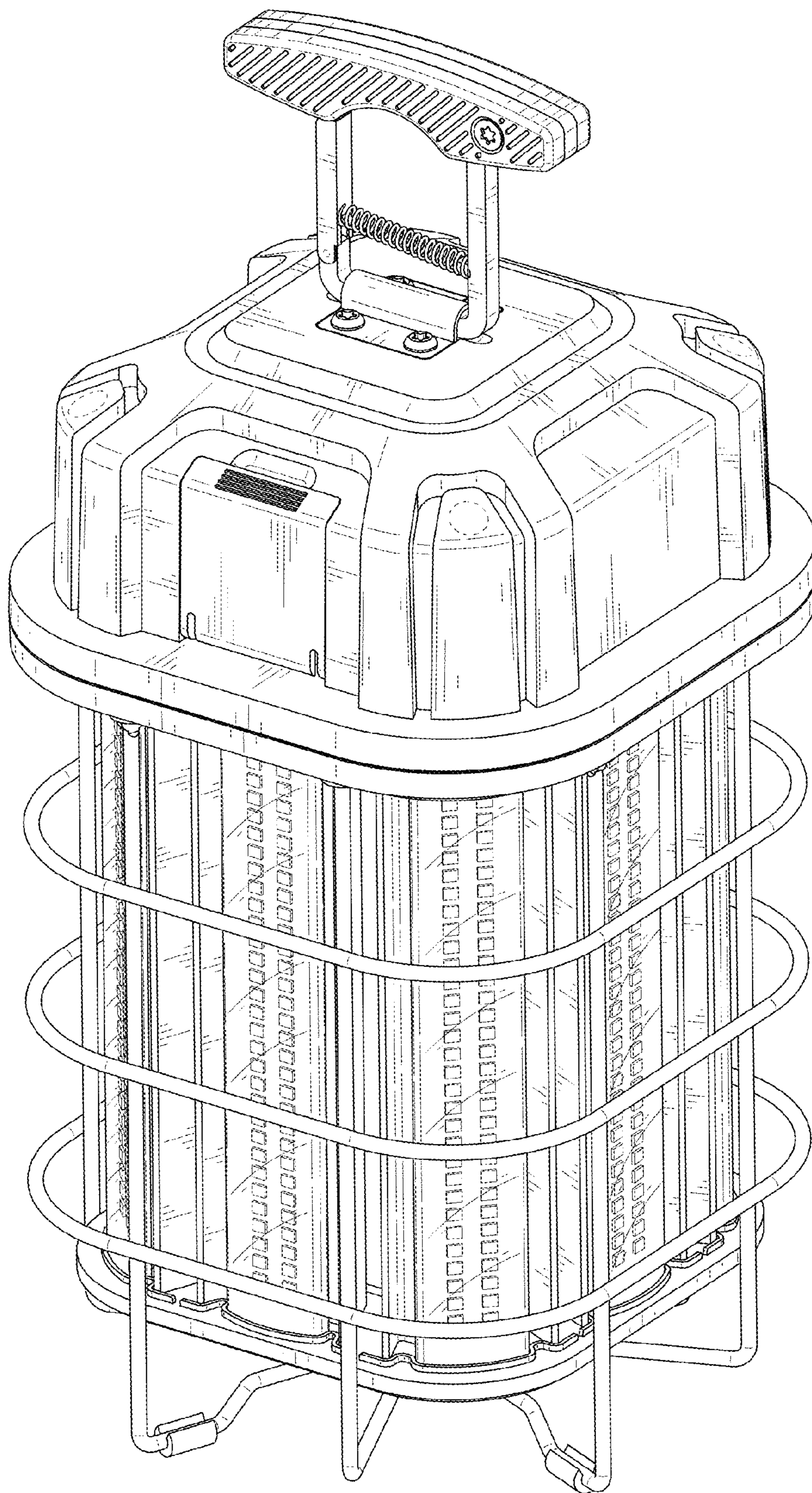


FIG. 1

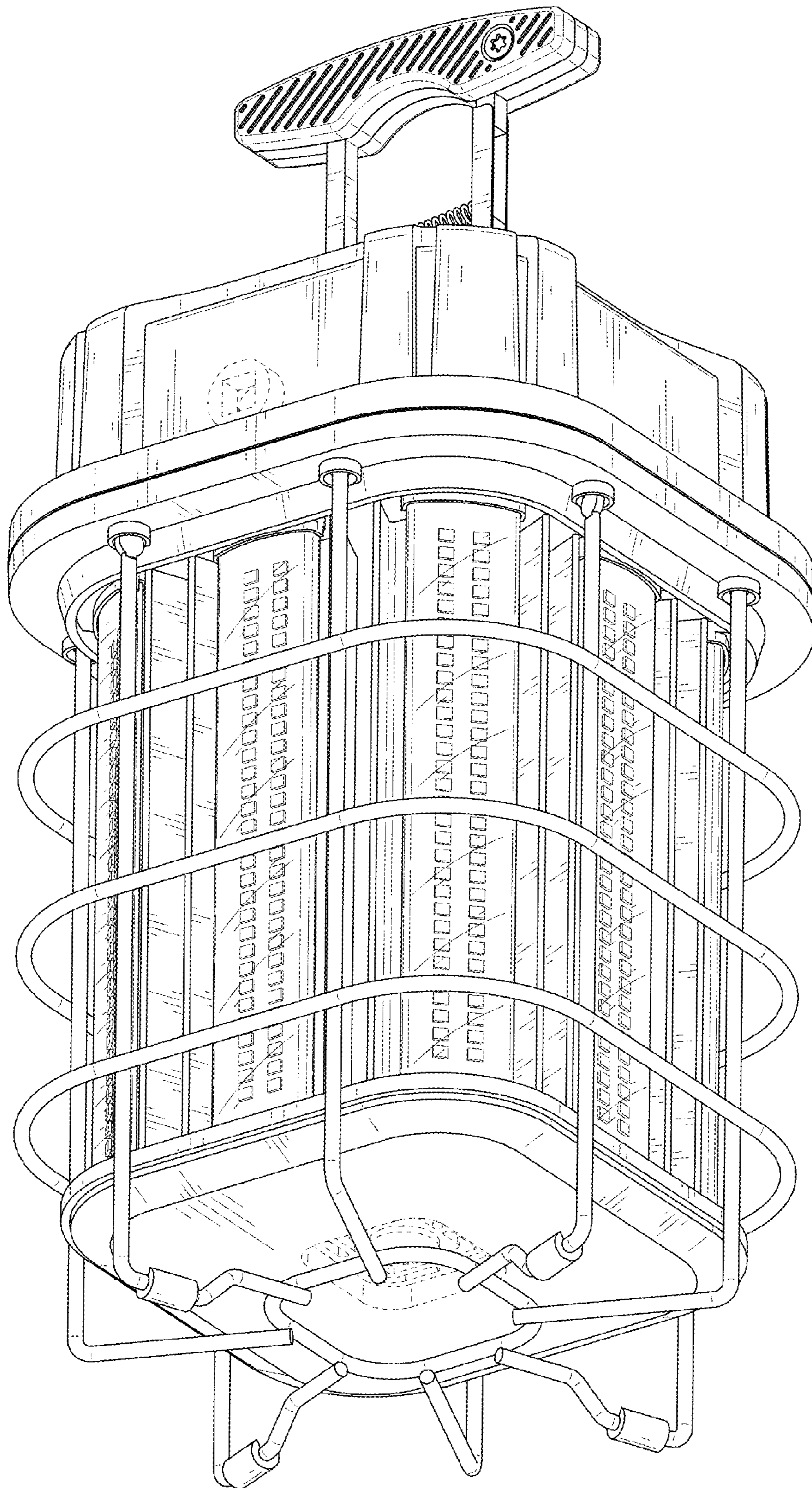


FIG. 2

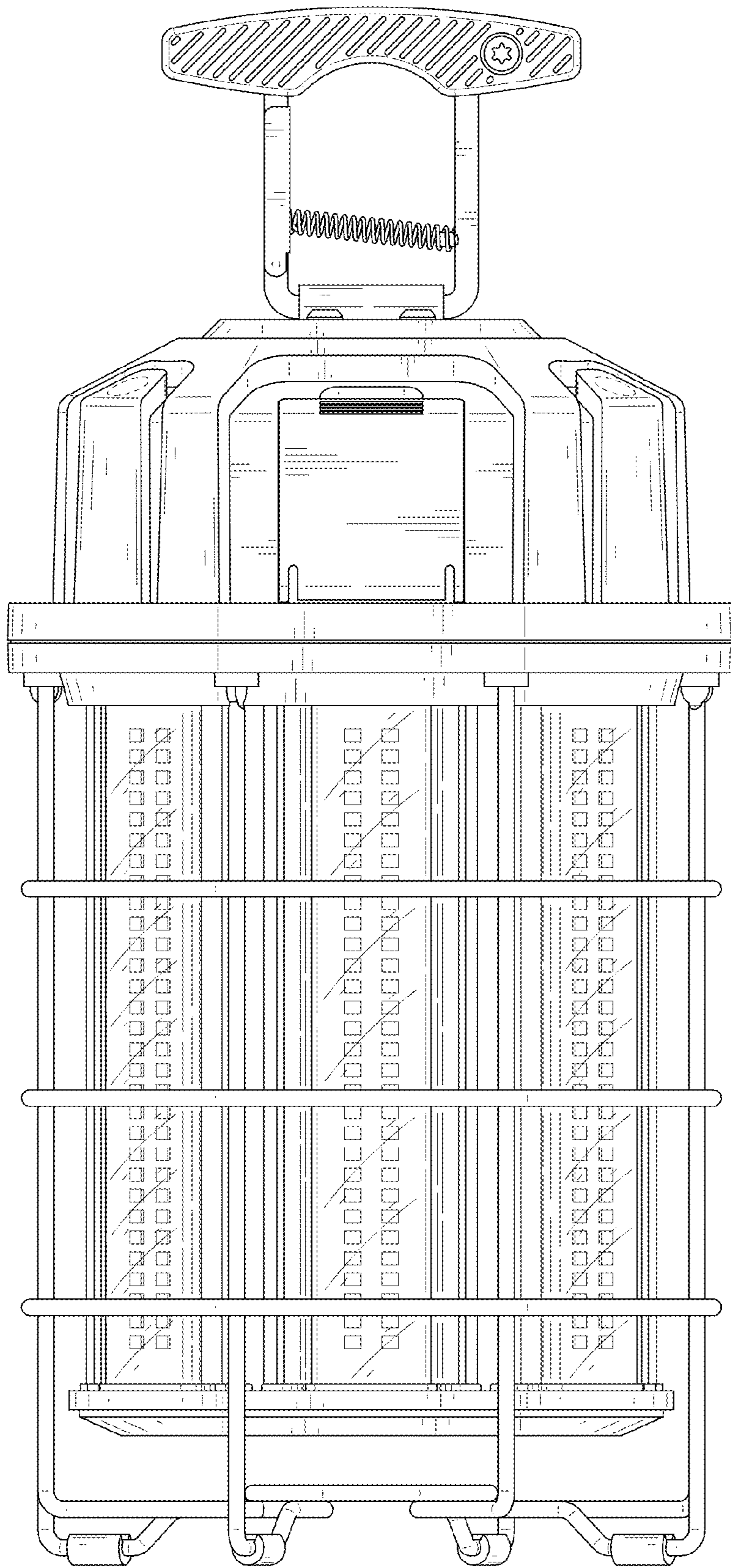


FIG. 3

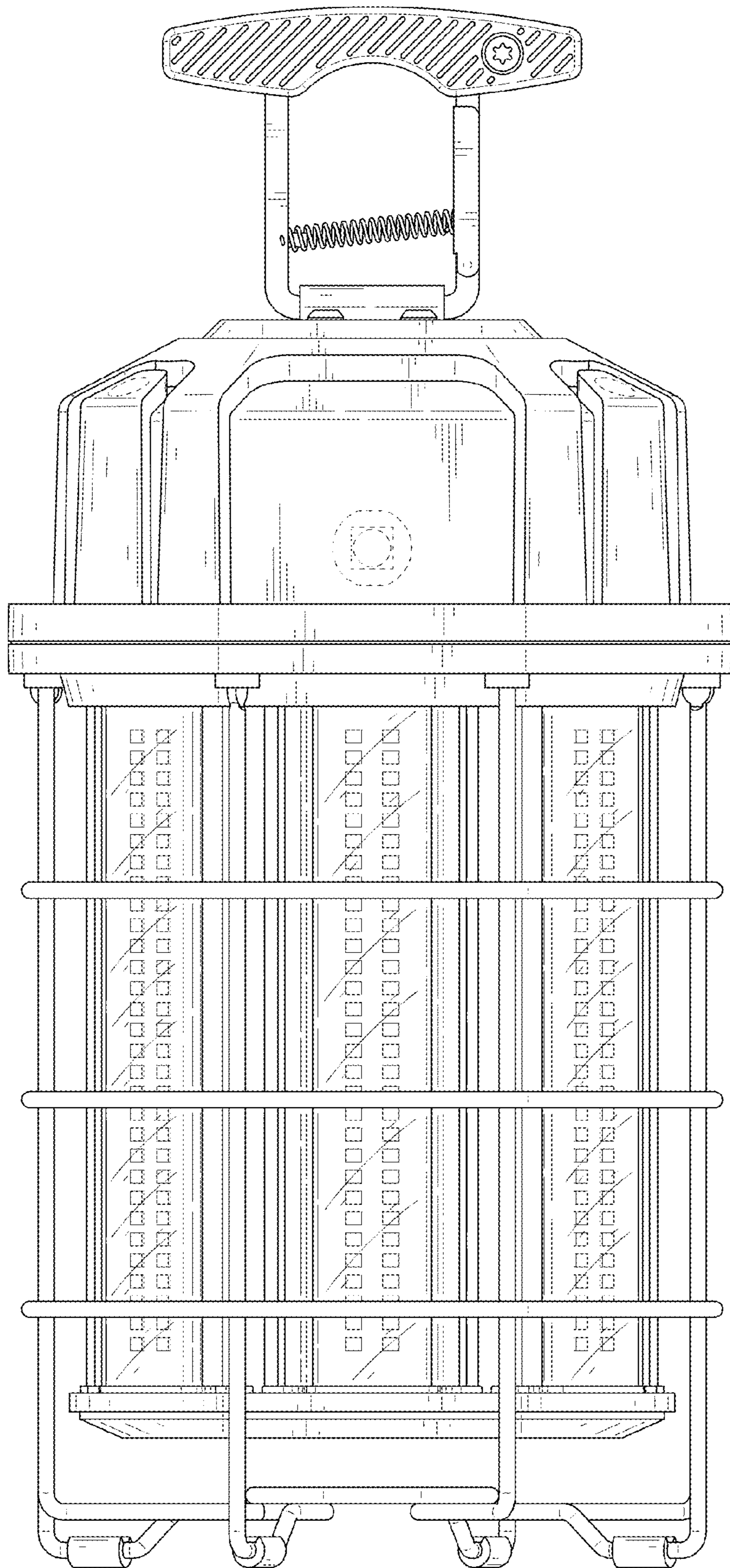


FIG. 4

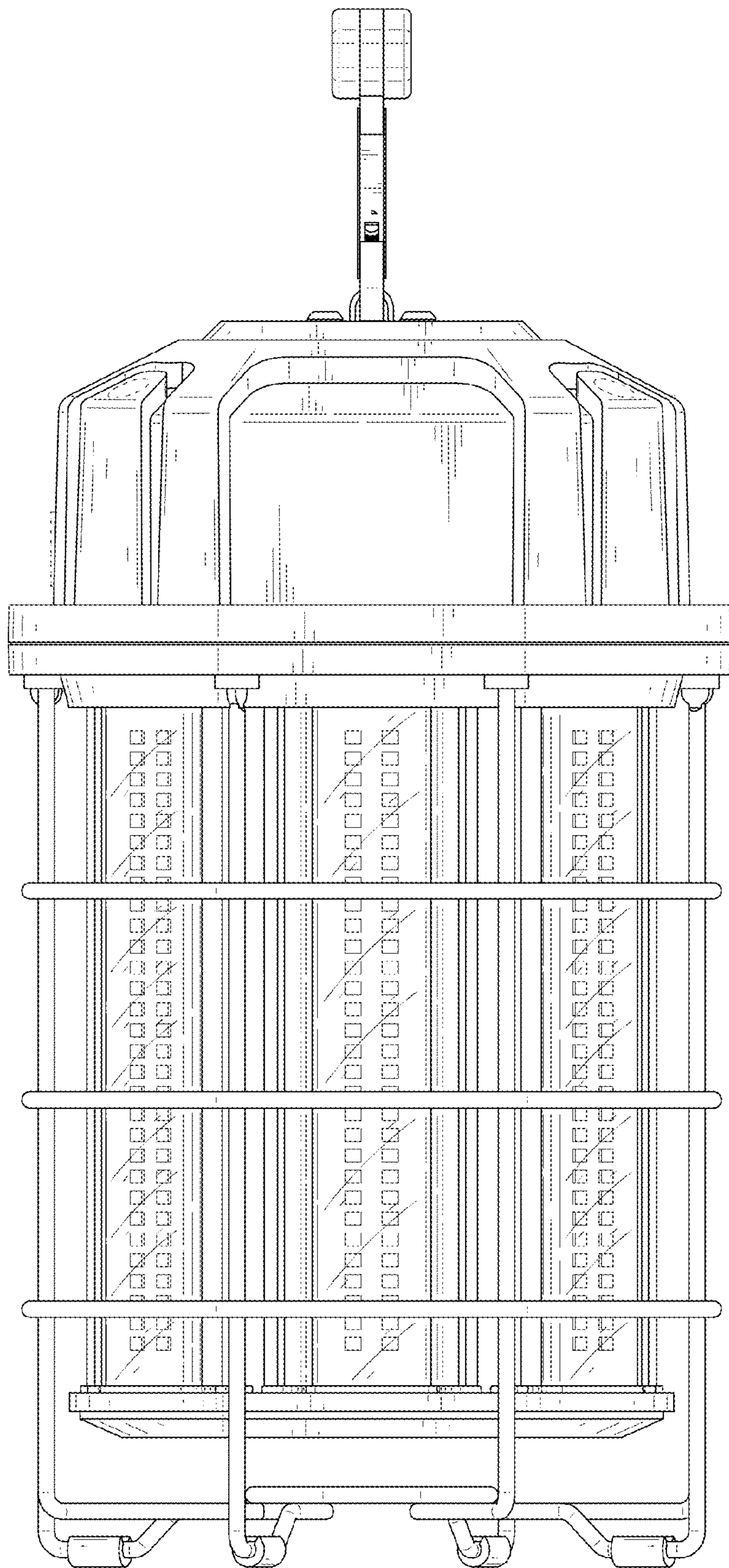


FIG. 5

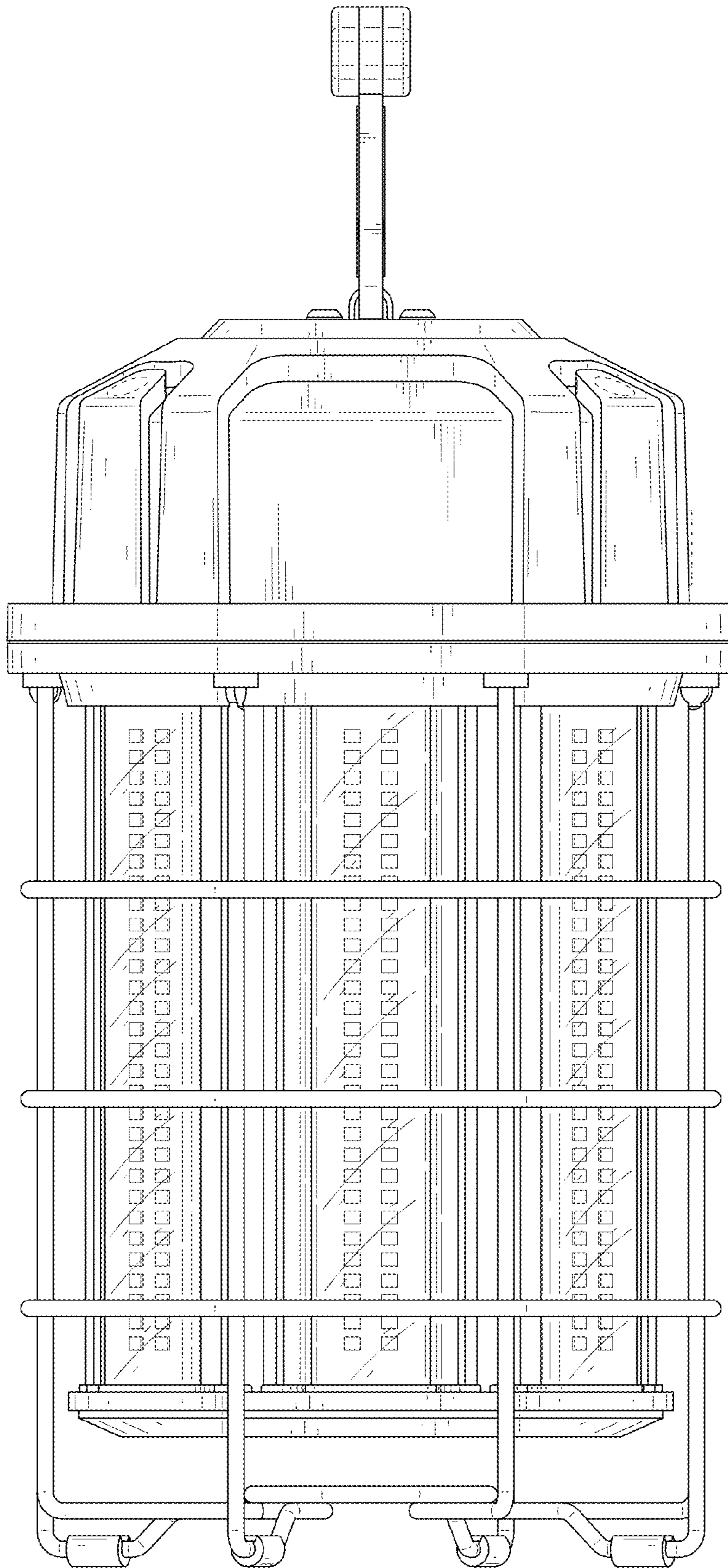


FIG. 6

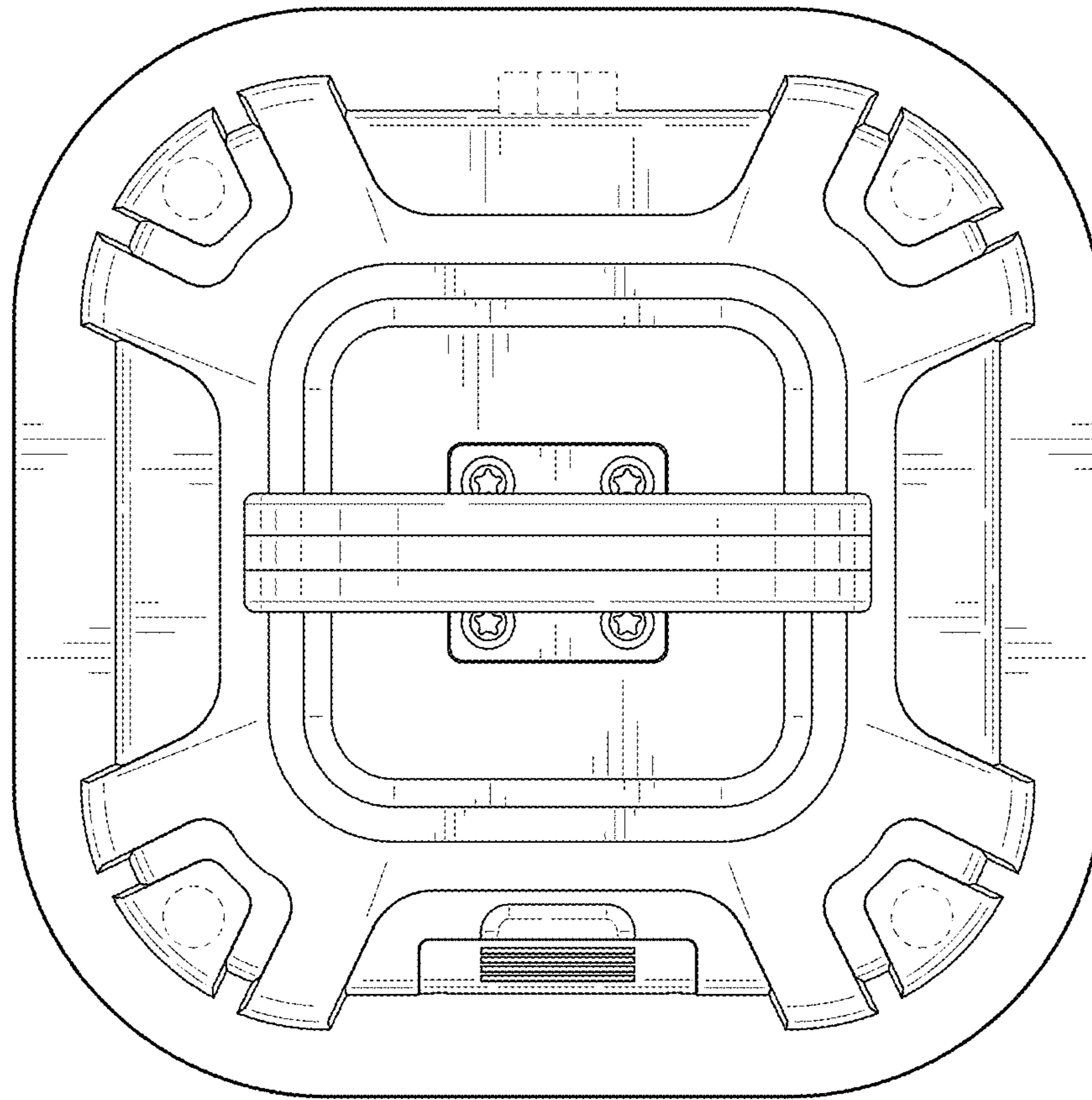


FIG. 7

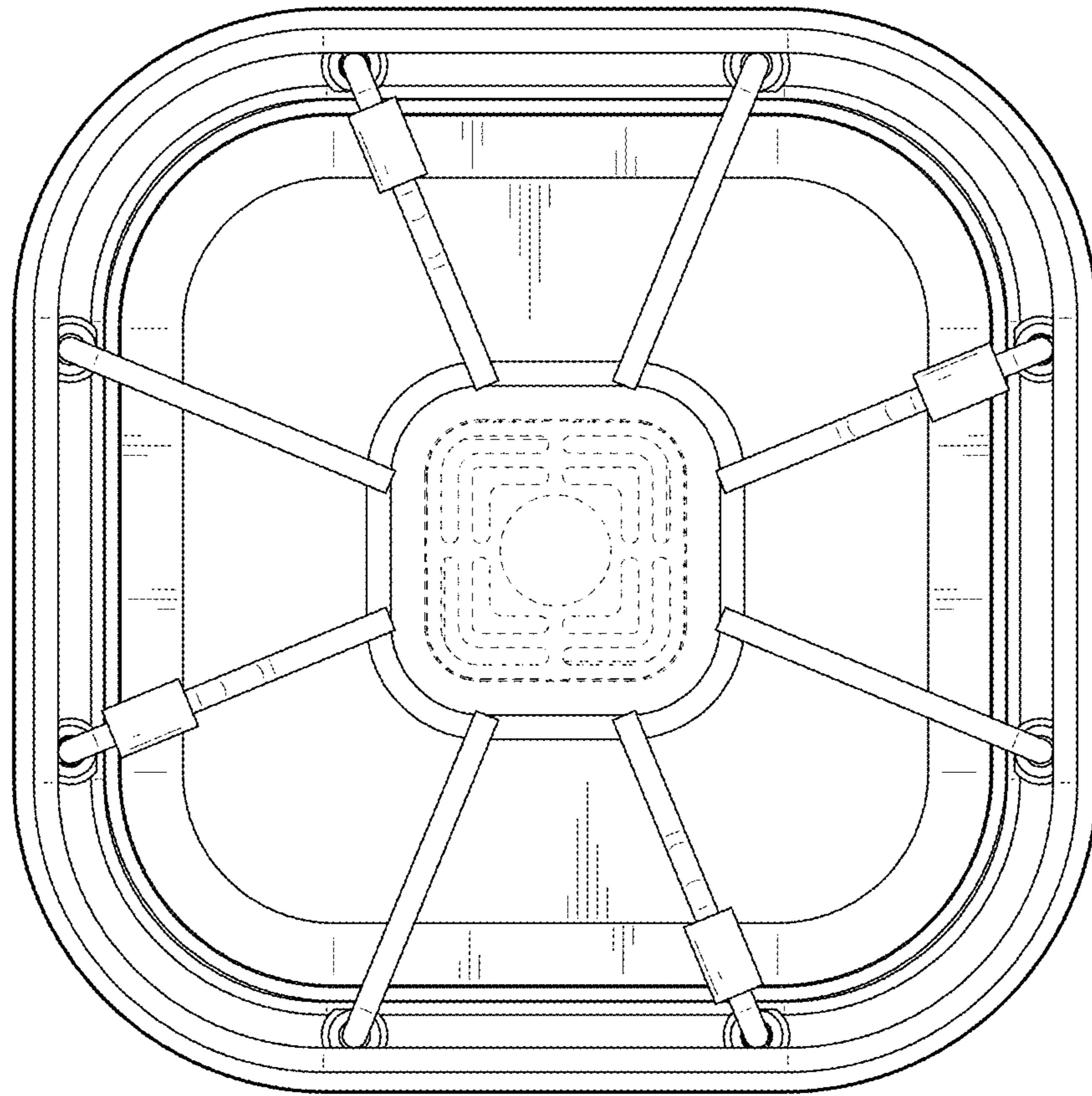


FIG. 8