



US00D946797S

(12) **United States Design Patent** (10) **Patent No.:** **US D946,797 S**
Dorman et al. (45) **Date of Patent:** **** Mar. 22, 2022**

(54) **HANGING LIGHT**
(71) Applicant: **MILWAUKEE ELECTRIC TOOL CORPORATION**, Brookfield, WI (US)
(72) Inventors: **Justin D. Dorman**, Wauwatosa, WI (US); **Alan Amundson**, Milwaukee, WI (US)
(73) Assignee: **MILWAUKEE ELECTRIC TOOL CORPORATION**, Brookfield, WI (US)

1,841,420 A 6/1989 Baggio et al.
4,956,897 A 9/1990 Speedie
5,403,976 A 4/1995 Maurice
D391,000 S * 2/1998 Markee D26/86
6,003,210 A 12/1999 Facey et al.
(Continued)

(**) Term: **15 Years**
(21) Appl. No.: **29/628,064**
(22) Filed: **Dec. 1, 2017**

FOREIGN PATENT DOCUMENTS

GB 2263726 8/1993

(51) **LOC (13) Cl.** **26-02**
(52) **U.S. Cl.**
USPC **D26/40**
(58) **Field of Classification Search**
USPC D26/37-51, 24
CPC F21L 2003/00; F21L 4/00; F21L 4/005;
F21L 4/02; F21L 4/025; F21L 4/027;
F21L 4/04; F21L 4/08; F21L 2005/00;
F21L 7/00; F21L 11/00; F21L 13/00;
F21L 13/04; F21L 13/08; F21L 14/02;
F21L 17/00; F21L 19/00; F21L 25/00
See application file for complete search history.

OTHER PUBLICATIONS

Construction Electrical Products, "LED High Bay Light", Accessed: Mar. 9, 2016, <<http://www.cepnow.com/product/led-high-bay-light/>>.

(Continued)

Primary Examiner — Marissa J Cash
Assistant Examiner — William B Melliar
(74) *Attorney, Agent, or Firm* — Michael Best & Friedrich LLP

(57) **CLAIM**

We claim the ornamental design for a hanging light, as shown and described.

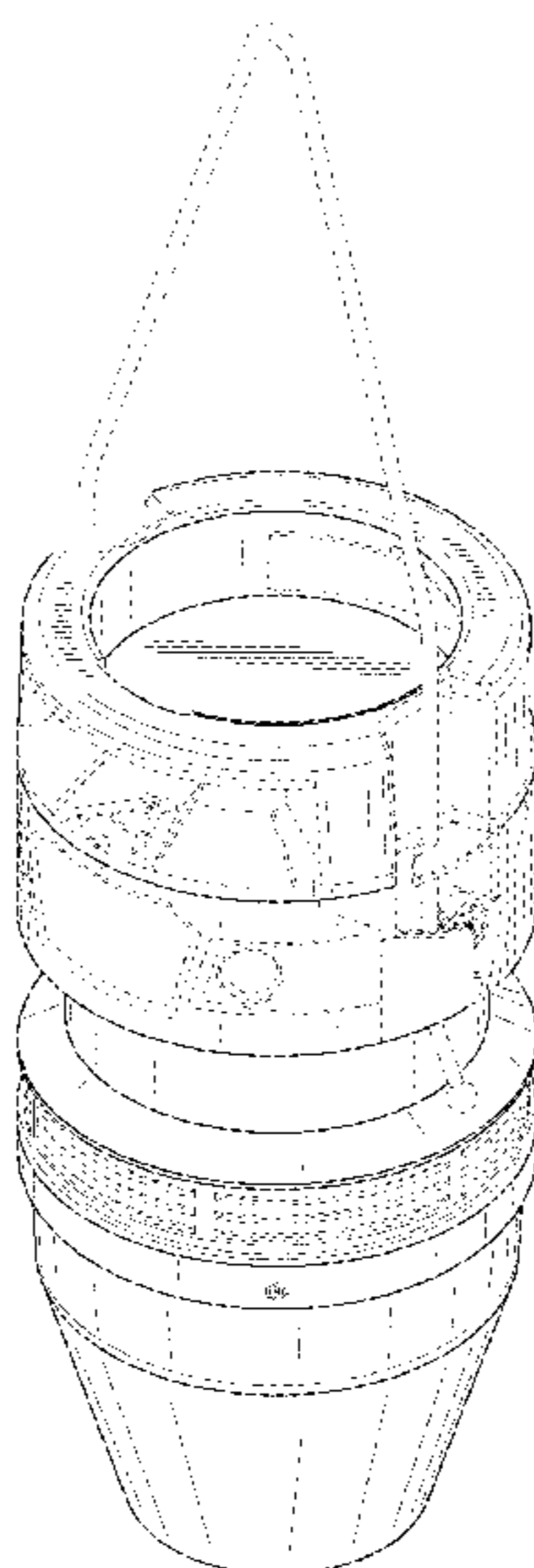
DESCRIPTION

FIG. 1 is a perspective view of a hanging light embodying the invention.
FIG. 2 is a first side view of the hanging light of FIG. 1.
FIG. 3 is a second side view of the hanging light of FIG. 1.
FIG. 4 is a third side view of the hanging light of FIG. 1.
FIG. 5 is a fourth side view of the hanging light of FIG. 1.
FIG. 6 is a top view of the hanging light of FIG. 1; and,
FIG. 7 is a bottom view of the hanging light of FIG. 1.
Portions of the hanging light shown in broken lines are for illustrative purposes only and form no part of the claimed design.

(56) **References Cited**
U.S. PATENT DOCUMENTS

2,156,742 A 5/1939 Shellabarger
2,627,834 A 2/1953 Roberts et al.
2,836,870 A 6/1958 Shea
3,265,032 A 8/1966 Hume
3,730,129 A 5/1973 Helms
3,765,061 A 10/1973 Nash
3,795,218 A 3/1974 Merry
4,217,847 A 8/1980 McCloud
4,397,253 A 8/1983 Uecker et al.
4,453,486 A 6/1984 Harken

1 Claim, 6 Drawing Sheets



(56)

References Cited

U.S. PATENT DOCUMENTS

6,234,653 B1 5/2001 Karton
 6,296,369 B1 10/2001 Liao
 D464,454 S * 10/2002 Suzuki D26/40
 6,517,222 B1 2/2003 Orlov
 6,761,342 B1 7/2004 Giefer et al.
 6,767,116 B2 7/2004 Lupicki
 6,767,117 B2 7/2004 De'Arrnond
 7,019,210 B2 3/2006 Radin
 7,287,304 B2 10/2007 Zebe, Jr.
 7,347,582 B1 3/2008 Kung
 D565,766 S * 4/2008 Shiu D26/40
 D572,852 S * 7/2008 Niven D26/37
 D574,993 S * 8/2008 Silver D26/128
 7,784,964 B2 8/2010 Yen
 7,866,850 B2 1/2011 Alexander et al.
 8,164,237 B2 4/2012 Wen
 D711,572 S * 8/2014 Kwon D26/37
 9,028,112 B2 5/2015 Ellenburg et al.
 9,033,550 B1 5/2015 Tickner
 D759,284 S * 6/2016 De Bevilacqua D26/104
 9,447,934 B2 9/2016 Kim
 D773,703 S * 12/2016 Krantz D26/40
 D773,704 S * 12/2016 Pardo D26/41
 D773,705 S * 12/2016 Zhou D26/41
 D776,315 S * 1/2017 Wu D26/41
 9,599,312 B2 3/2017 Chen
 D783,872 S * 4/2017 Aksnes D26/41
 D787,104 S * 5/2017 Wu D26/41
 D824,077 S * 7/2018 Davis D26/88
 10,041,660 B2 8/2018 Harvey
 10,281,125 B2 5/2019 Harvey
 10,422,512 B2 9/2019 Seward et al.
 D861,956 S * 10/2019 Preutz D26/88

D921,249 S * 6/2021 Peng D26/41
 2006/0204328 A1 9/2006 Frey
 2007/0139921 A1 6/2007 Wu
 2007/0246631 A1 10/2007 Brown et al.
 2007/0278376 A1 12/2007 Townsend, Jr.
 2008/0218992 A1 9/2008 Li
 2009/0290364 A1 11/2009 Thomas et al.
 2010/0053942 A1 3/2010 Tarter et al.
 2011/0116254 A1 5/2011 Workman et al.
 2011/0317418 A1 12/2011 Burrell, IV
 2012/0026727 A1 2/2012 Hajee et al.
 2012/0287611 A1 11/2012 Wilson et al.
 2013/0087672 A1 4/2013 Townsend, Jr.
 2013/0279180 A1 10/2013 Pearson et al.
 2014/0071681 A1 3/2014 Ghafoori et al.
 2014/0126187 A1 5/2014 Bennet et al.
 2015/0040814 A1 2/2015 Volkwein
 2015/0198317 A1 7/2015 Feller et al.
 2015/0285449 A1 10/2015 Hajee et al.
 2016/0195235 A1 7/2016 Workman et al.
 2019/0113212 A1 * 4/2019 Dorman F21V 29/70
 2019/0178472 A1 6/2019 Young et al.
 2019/0219254 A1 7/2019 Harvey
 2020/0124256 A1 * 4/2020 Manulik F21V 21/008

OTHER PUBLICATIONS

Garvin Industries, "LED Temporary Job Site Light", Accessed: Mar. 9, 2016, <<http://www.garvinindustries.com/lighting/led-temp-lights>>.
 ProBuilt Lighting, "Hang-A-Light LED", Accessed: Mar. 9, 2016, <<http://probuiltilighting.com/products/hang-a-light-led/>>.
 ProBuilt Lighting, "Hang-A-Light 200 Watt LED", Accessed: Mar. 9, 2016, <<http://probuiltilighting.com/hal-200-watt-led/>>.

* cited by examiner

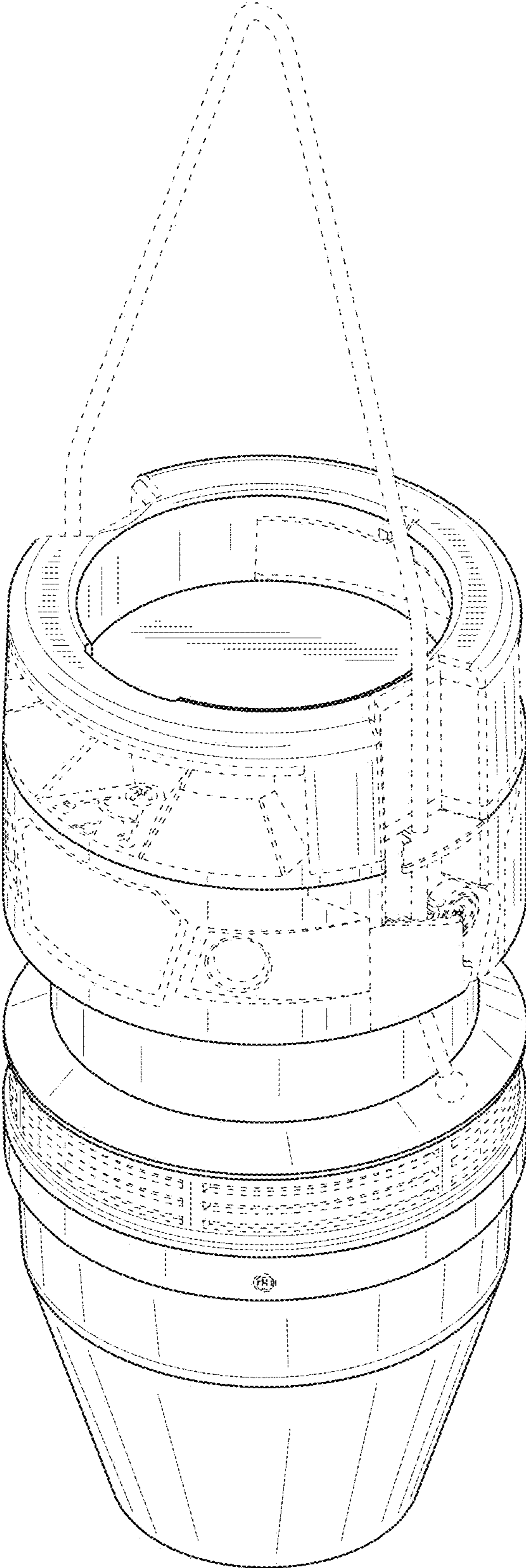


FIG. 1

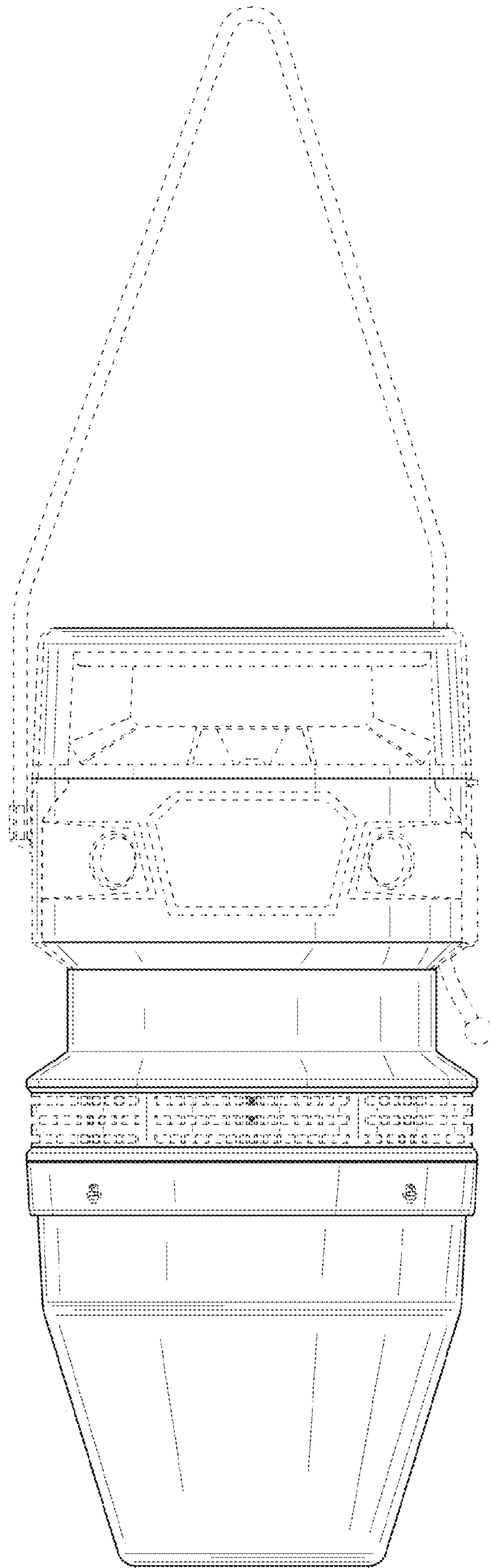


FIG. 2

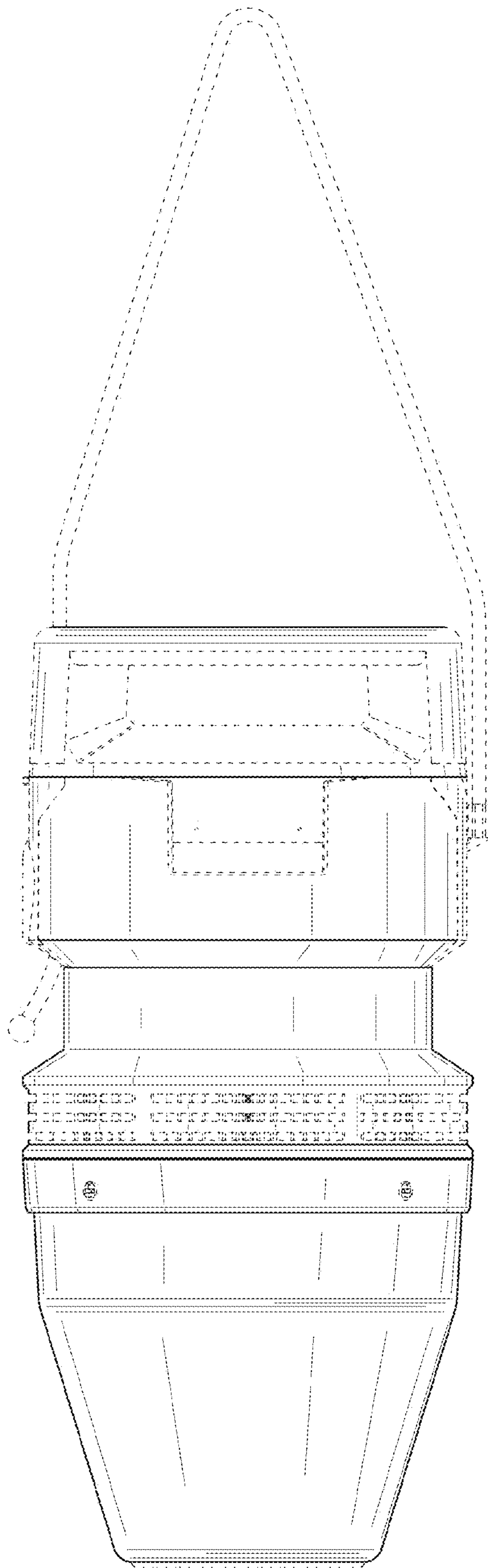


FIG. 3

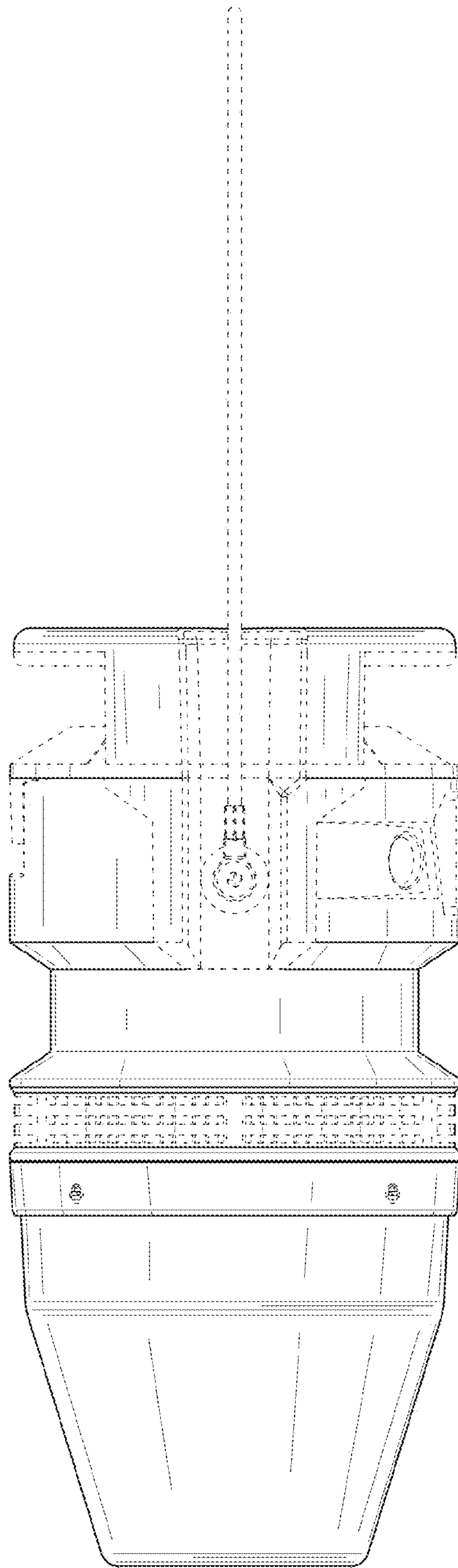


FIG. 4

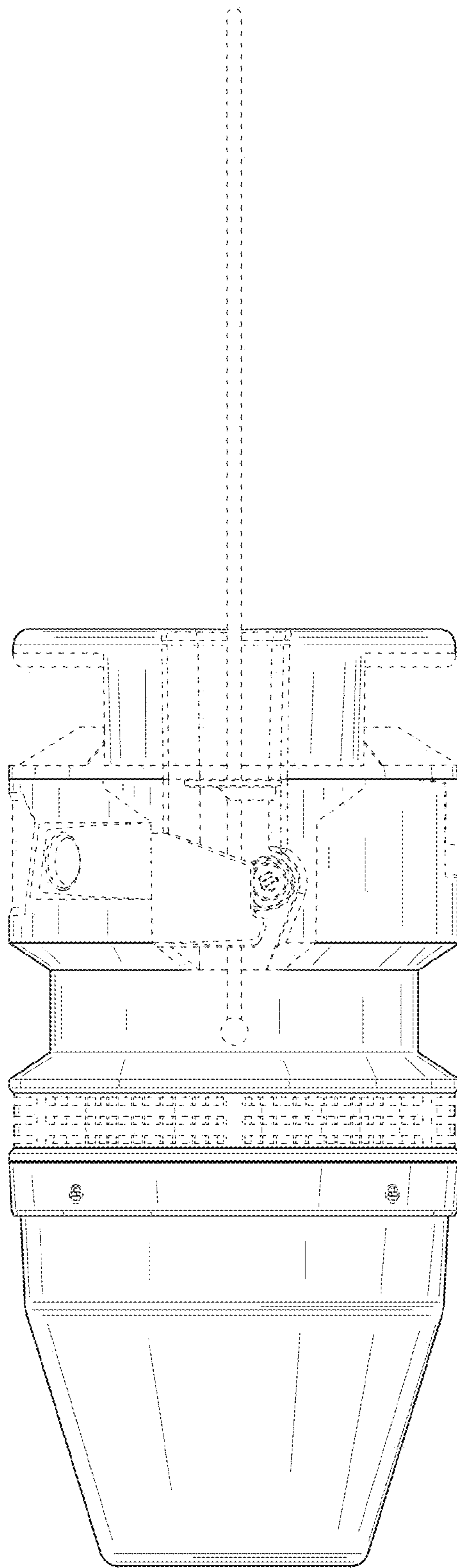


FIG. 5

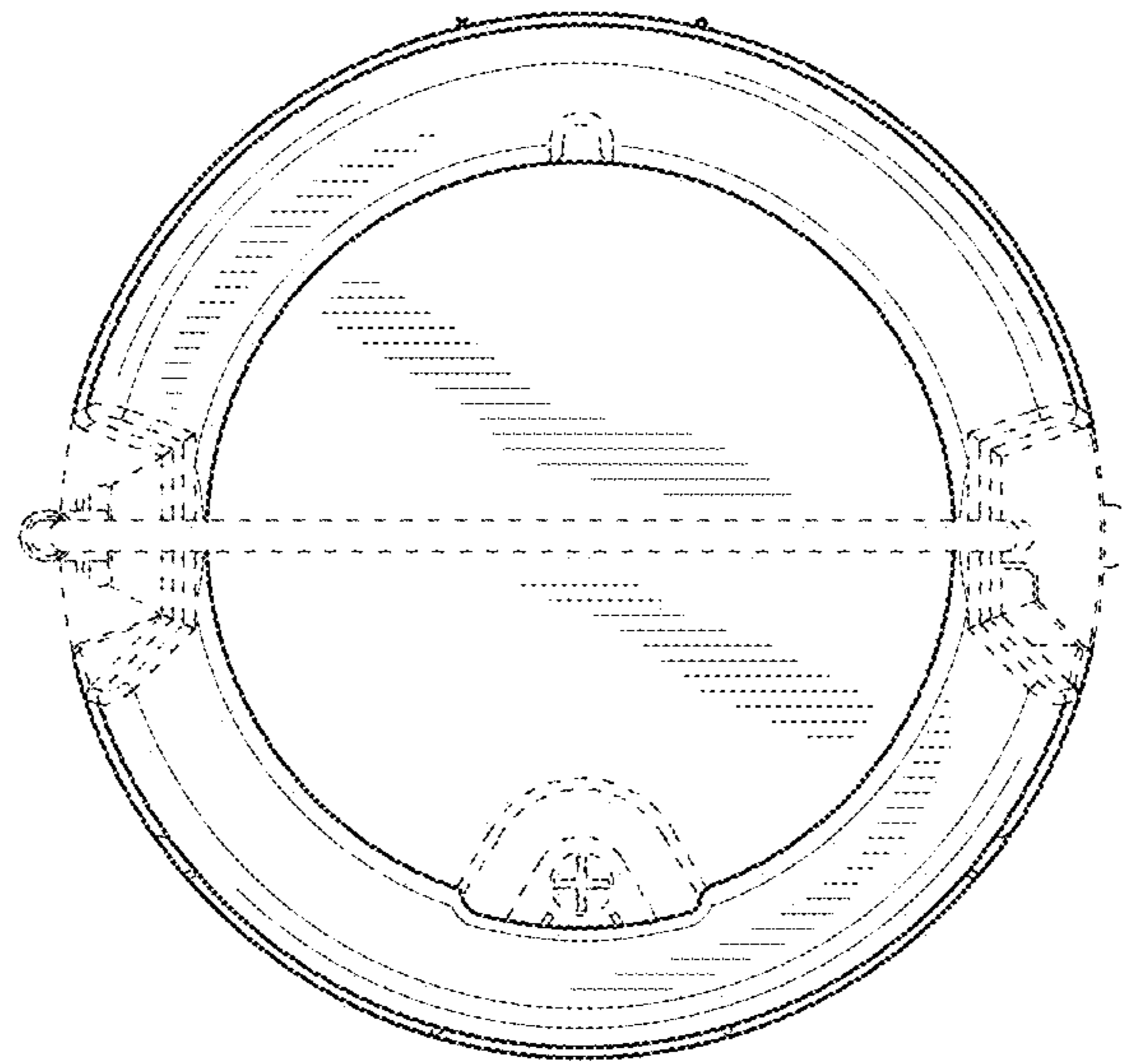


FIG. 6

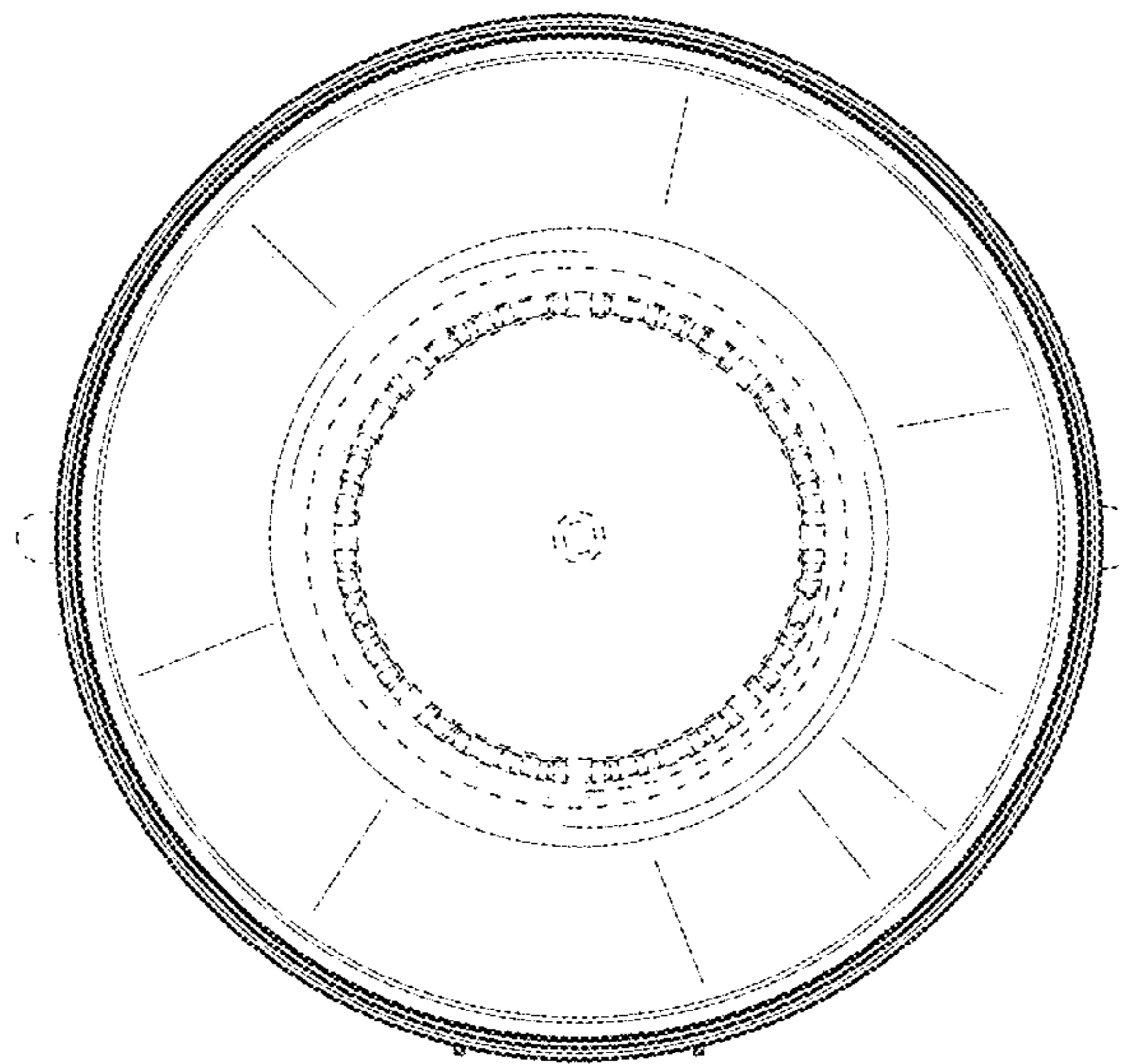


FIG. 7