



US00D946796S

(12) **United States Design Patent**
Bilbao, Jr.

(10) **Patent No.:** **US D946,796 S**
(45) **Date of Patent:** **** Mar. 22, 2022**

(54) **HEAD LIGHT**

(71) Applicant: **MADI, LLC**, Greenville, SC (US)

(72) Inventor: **Marcos Jose Bilbao, Jr.**, Matthews, NC (US)

(73) Assignee: **MADI, LLC**, Greenville, SC (US)

(**) Term: **15 Years**

(21) Appl. No.: **29/724,901**

(22) Filed: **Feb. 20, 2020**

(51) **LOC (13) Cl.** **26-02**

(52) **U.S. Cl.**
USPC **D26/39**

(58) **Field of Classification Search**
USPC D26/24, 26, 37-51, 60-61, 63, 113, 119, D26/120, 124, 138
CPC F21Y 2115/10; F21Y 2101/00; F21Y 2103/10; F21Y 2105/10; F21Y 2105/16; F21Y 2113/10; F21Y 2113/13; F21Y 2115/00; F21W 2102/13; F21W 2102/18; F21W 2102/135; F21W 2102/19; F21W 2102/145; F21W 2102/16; F21W 2107/17; F21W 2102/00; F21W 2102/10; F21W 2102/14; F21W 2102/155; F21W 2102/165; F21W 2102/20; F21W 2103/55; F21W 2103/60; F21V 9/14; F21V 29/51; F21V 5/04; F21V 9/30; F21V 14/04; F21V 17/18; F21V 19/04; F21V 21/06; F21V 21/088; F21V 21/22; F21V 2200/00; F21V 29/78; F21V 29/85; F21V 5/00; F21V 5/045; F21V 5/048; F21V 7/00; F21V 7/22; F21V 9/08; F21V 9/40

See application file for complete search history.

(56) **References Cited**

U.S. PATENT DOCUMENTS

D441,886	S	*	5/2001	Beck	D24/231
D680,250	S	*	4/2013	Opolka	D26/39
D693,040	S	*	11/2013	Svensson	D26/39
D742,049	S	*	10/2015	Baker	D26/39
D878,649	S	*	3/2020	Kunzendorf	D26/39
10,955,119	B2	*	3/2021	Cheng	F21V 31/005
2019/0390844	A1	*	12/2019	Sedlacek	F21V 21/084

OTHER PUBLICATIONS

LED Headlamp Flashlight. By Adelante. Dated Jun. 1, 2021. Found online [Aug. 12, 2021]. <https://www.amazon.com/Flashlight-230%C2%B0Wide-Beam-Rechargeable-Waterproof-Lightweight/dp/B09336CW6B/> (Year: 2021).*

(Continued)

Primary Examiner — Marissa J Cash

Assistant Examiner — William B Melliar

(74) *Attorney, Agent, or Firm* — Trego, Hines & Ladenheim, PLLC; Brandon Trego; Jonathan Hines

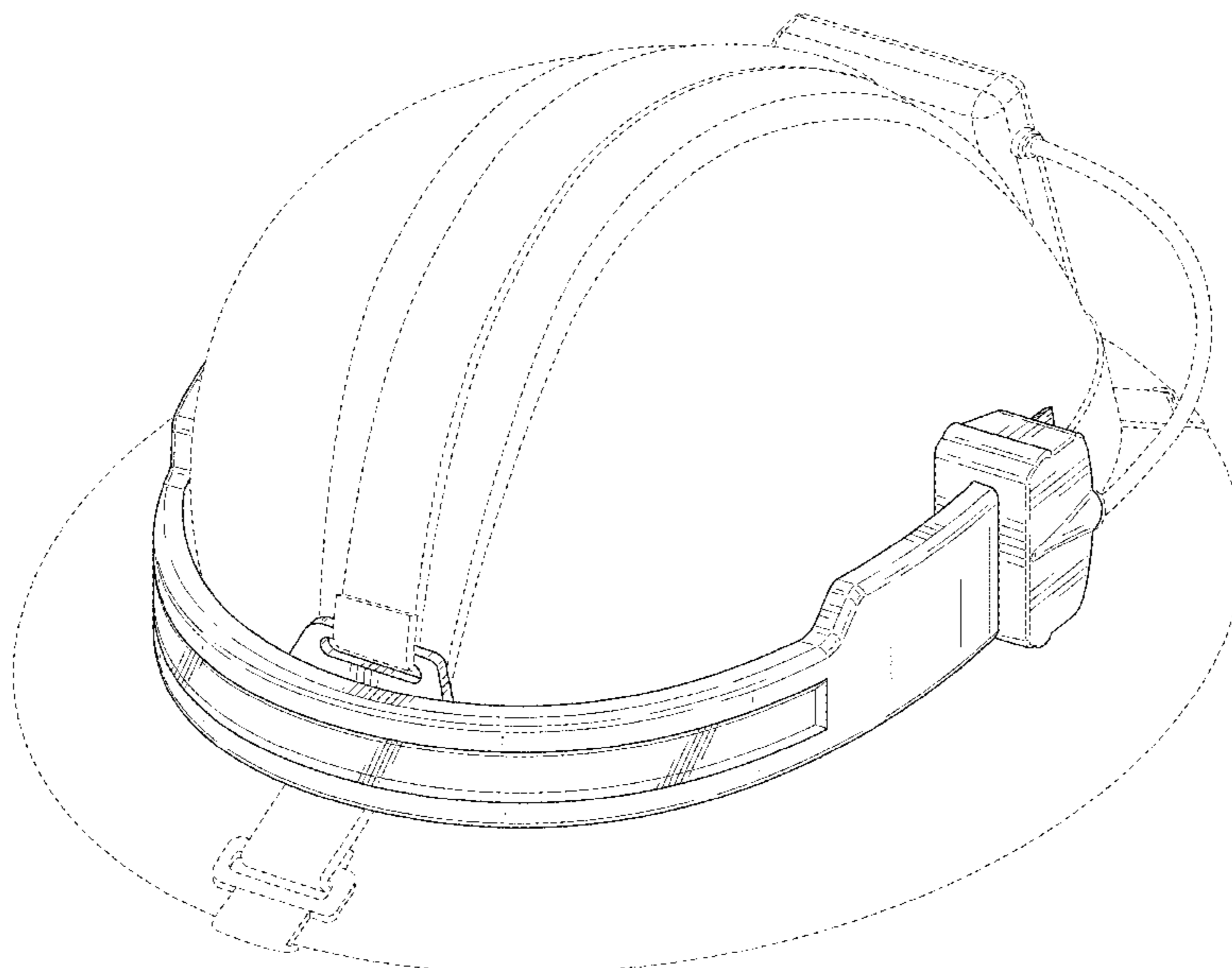
(57) **CLAIM**

I claim the ornamental design for a head light, as shown and described.

DESCRIPTION

FIG. 1 is a perspective view of a head light, shown in an environment of use;
FIG. 2 is a front elevation of the head light of FIG. 1;
FIG. 3 is a rear elevation of the head light of FIG. 1;
FIG. 4 is a left side elevation of the head light of FIG. 1;
FIG. 5 is a right side elevation of the head light of FIG. 1;
FIG. 6 is a top view of the head light of FIG. 1; and,
FIG. 7 is a bottom view of the head light of FIG. 1.
The broken lines in the drawings depict portions of the head light that form no part thereof.

1 Claim, 6 Drawing Sheets



(56)

References Cited

OTHER PUBLICATIONS

Fant.Lux LED Headlamp. By Fant.Lux. Dated Mar. 18, 2021. Found online [Aug. 12, 2021]. <https://www.amazon.com/FANT-LUX-Perspectives-Illumination-Weatherproof-Rechargeable/dp/B08ZCX56TF/> (Year: 2021).*

OV LED 802100 Broadbeam LED Headlamp. By Optimal Ventures. Dated Sep. 21, 2018. Found online [Aug. 12, 2021]. <https://www.amazon.com/802100-Broadbeam-Headlamp-Ultra-Low-Illumination/dp/B07GT49F9C/> (Year: 2018).*

Bestsun 2000 Lumen COB Headlamp. By Bestsun. Dated Apr. 8, 2021. Found online [Aug. 12, 2021]. <https://www.amazon.com/BESTSUN-Flashlights-Headlamps-Headlight-Repairing/dp/B0922V6C59/> (Year: 2021).*

* cited by examiner

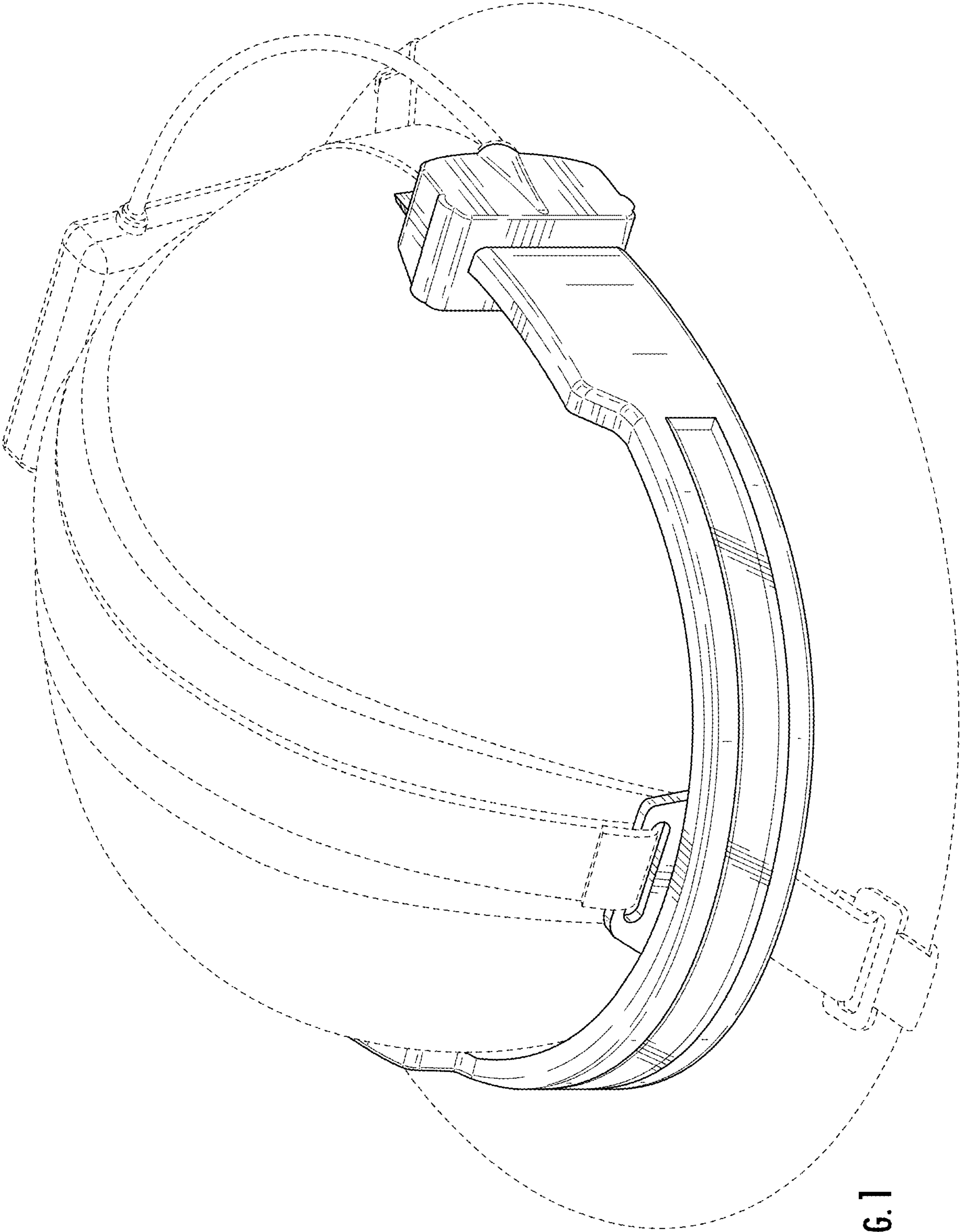


FIG. 1

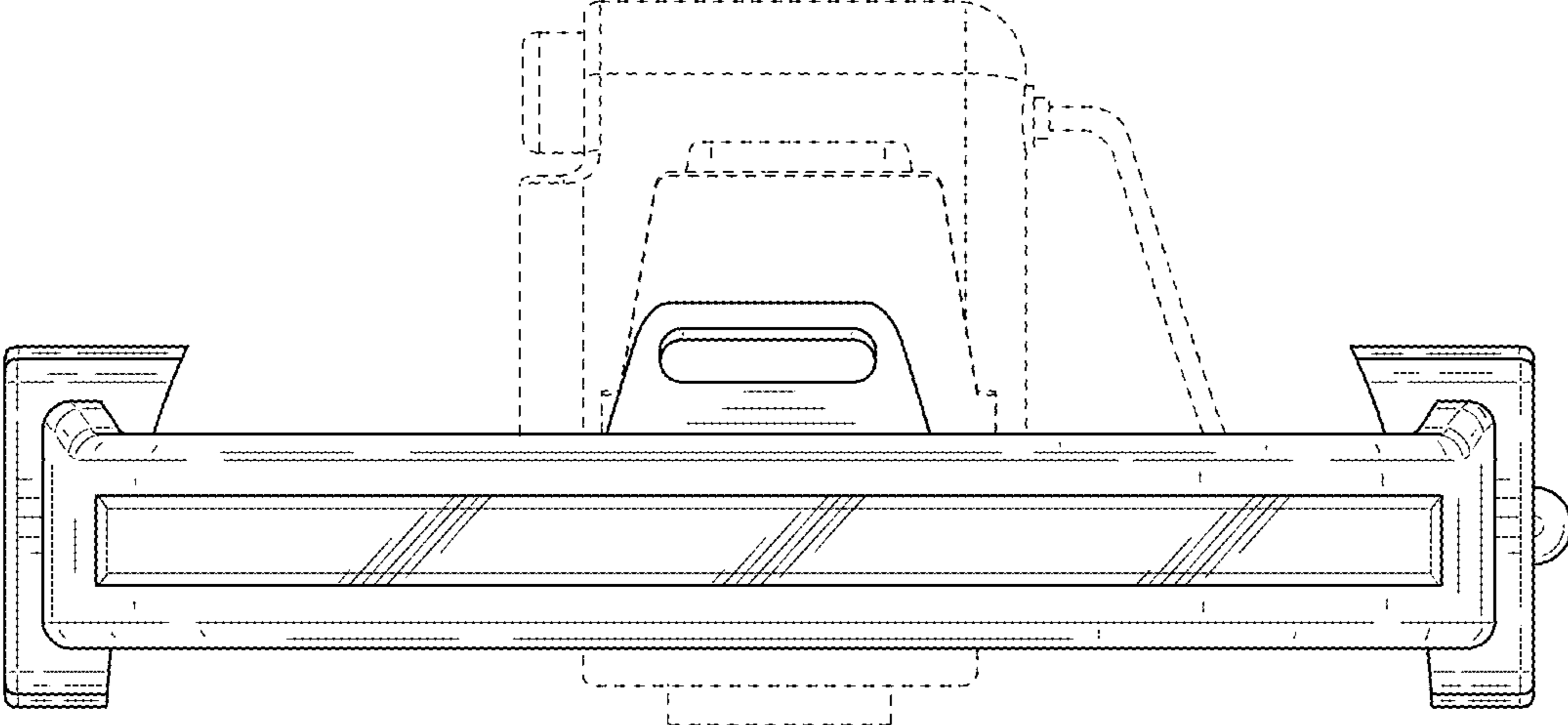


FIG. 2

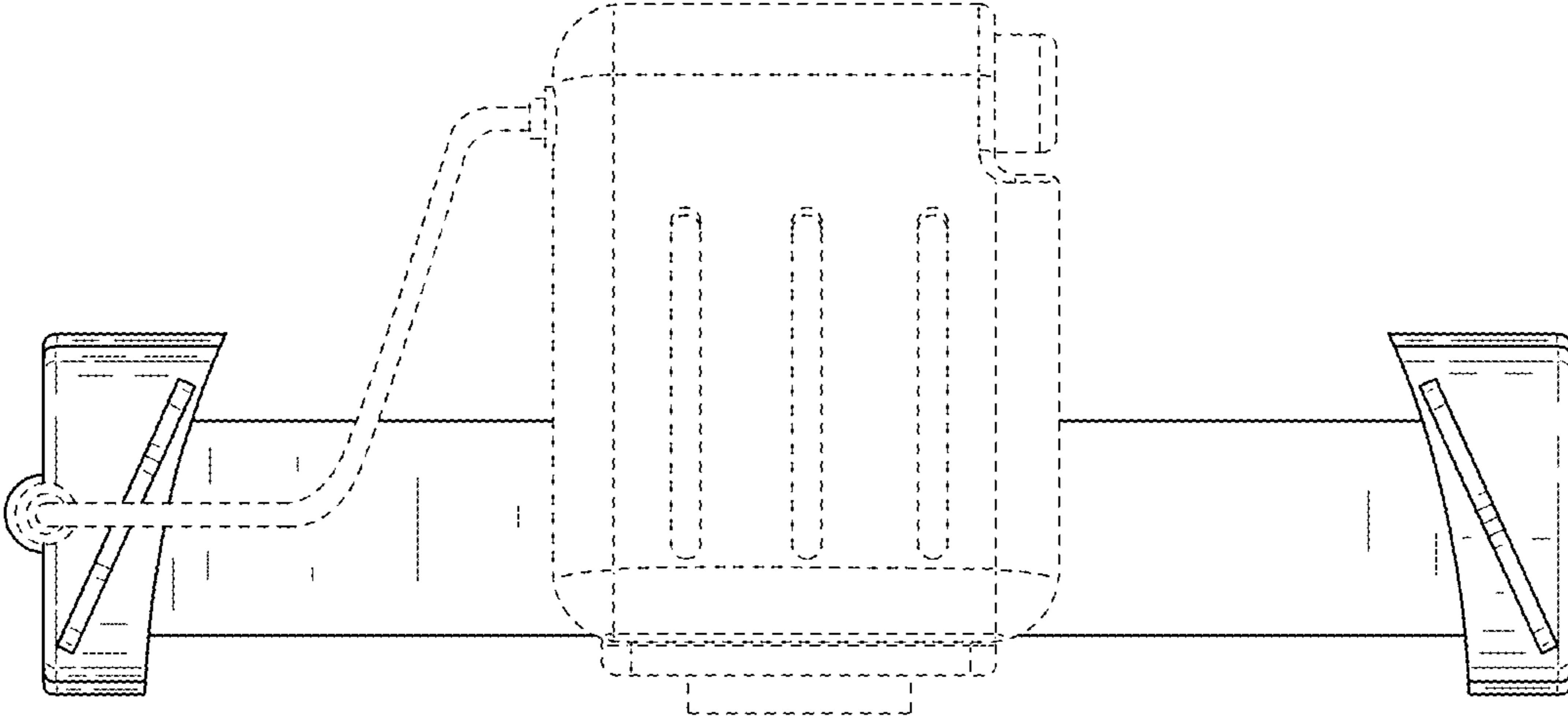


FIG. 3

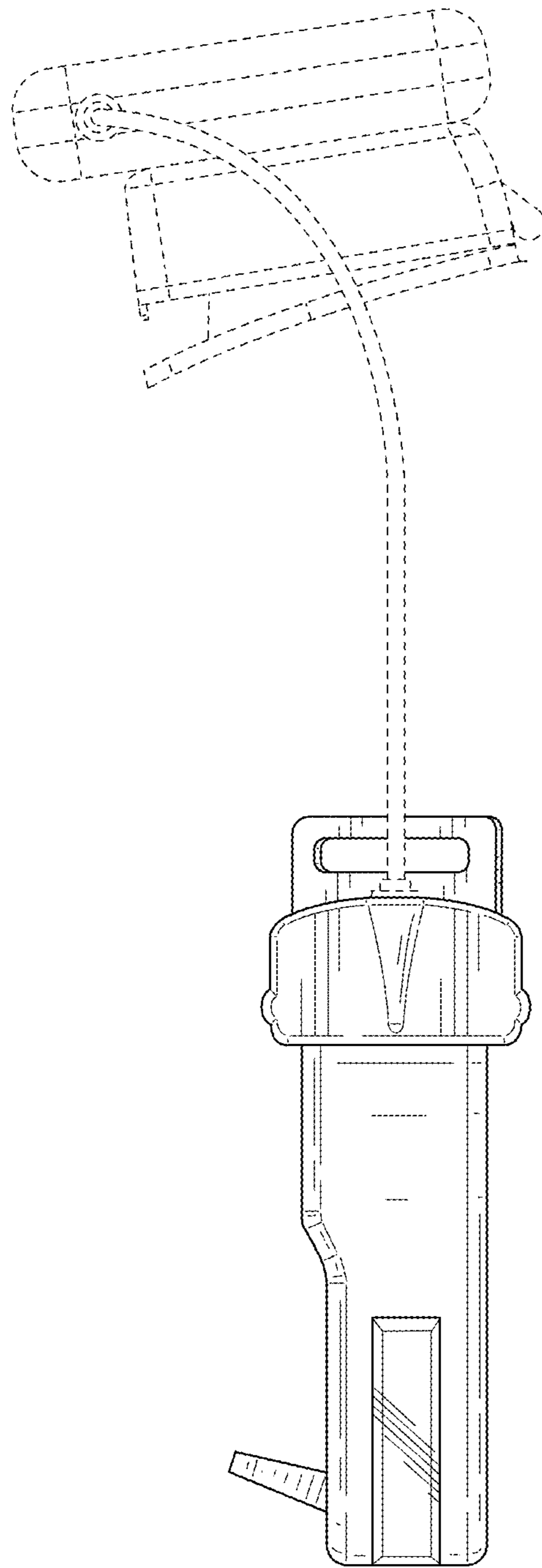


FIG. 4

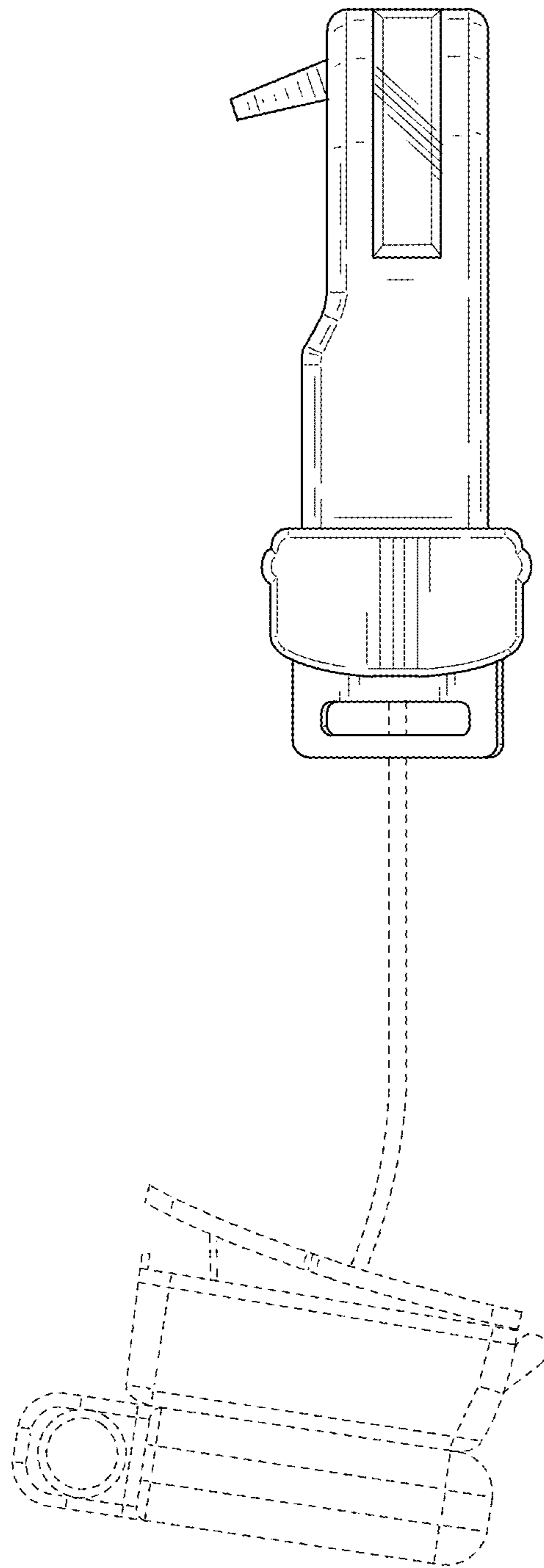


FIG. 5

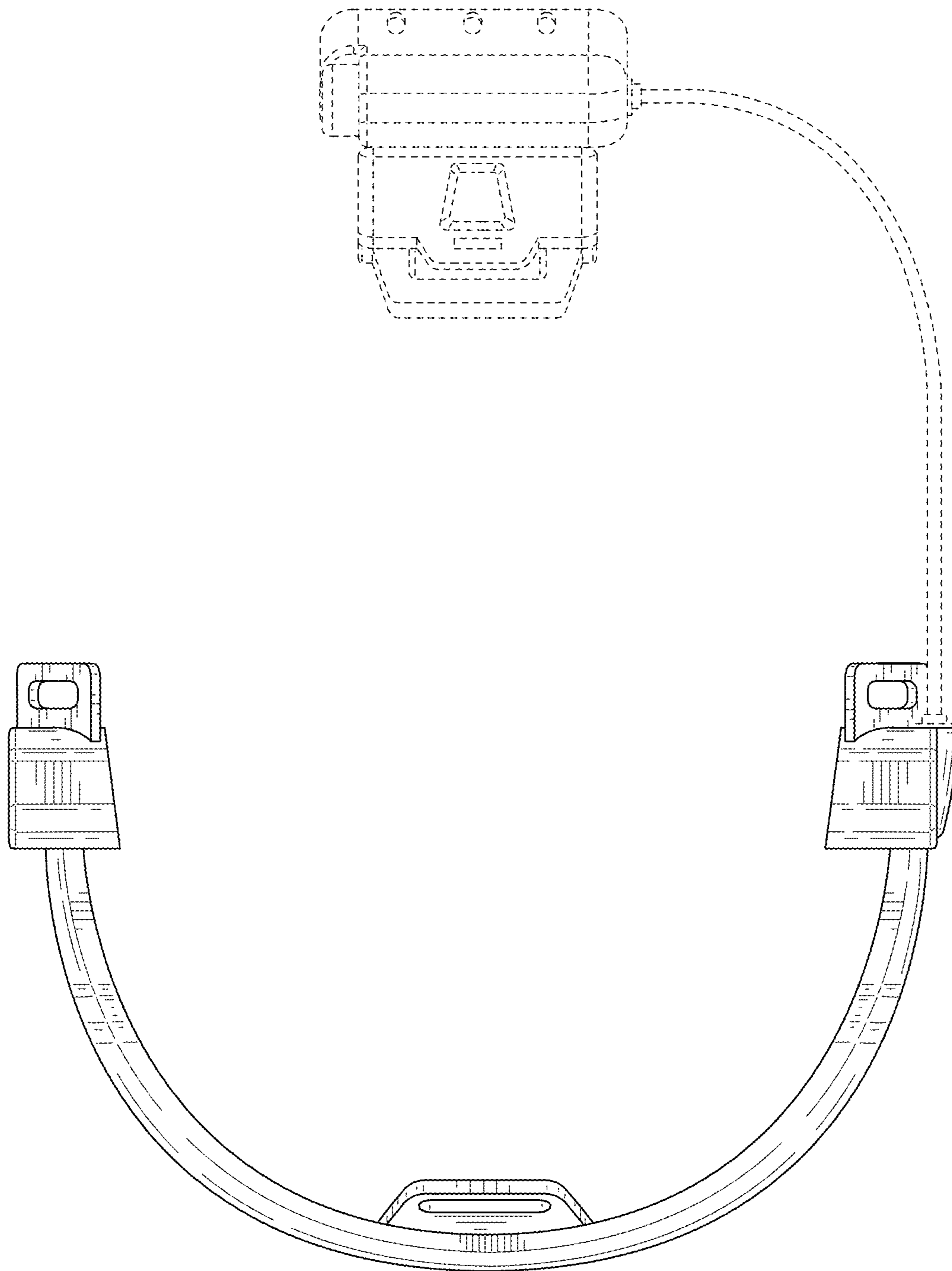


FIG. 6

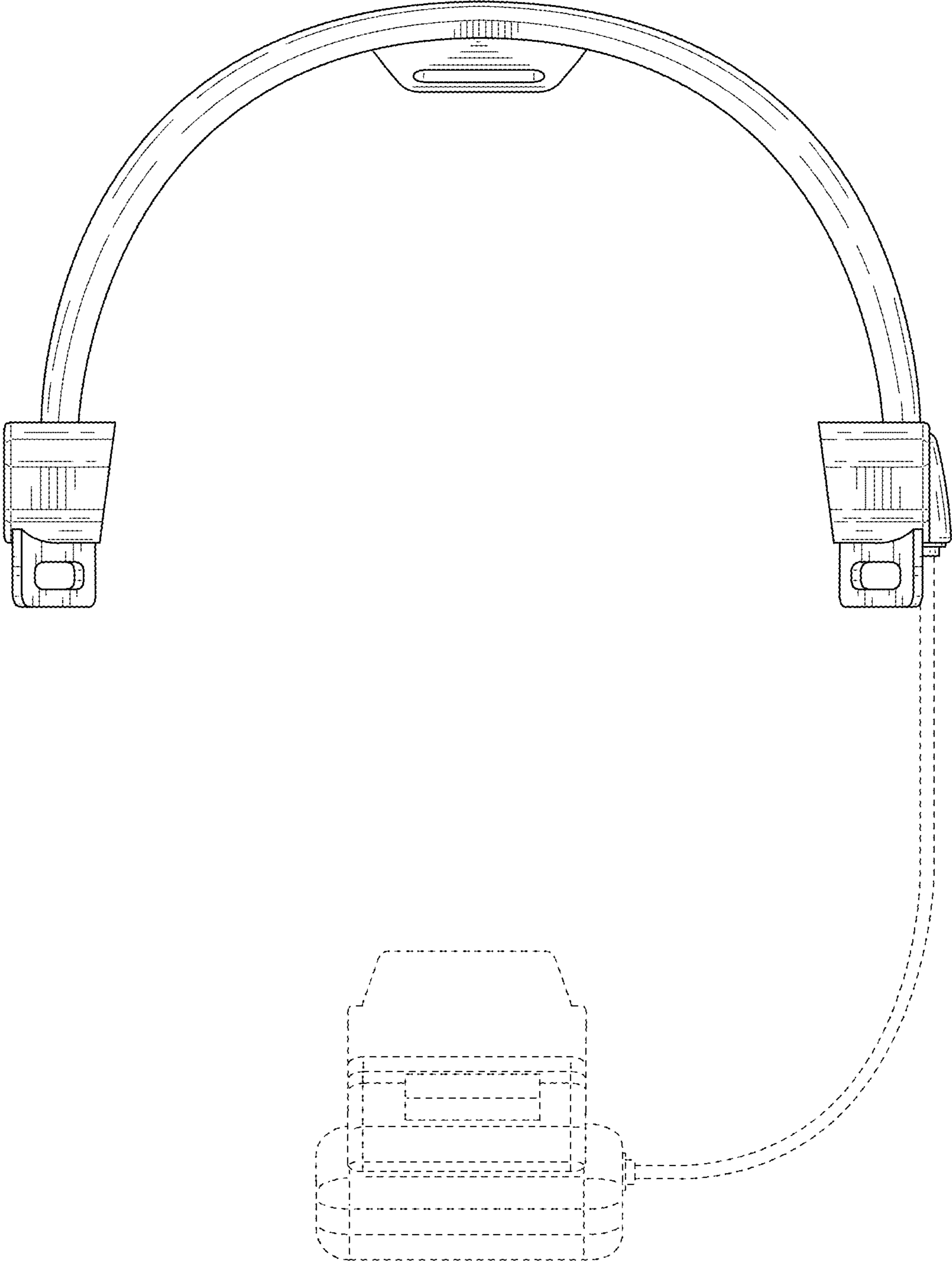


FIG. 7