



US00D946794S

(12) **United States Design Patent**
Yeh

(10) **Patent No.:** **US D946,794 S**
(45) **Date of Patent:** **** Mar. 22, 2022**

(54) **VEHICLE HEADLIGHT**

(71) Applicant: **Chun-Hung Yeh**, Jiangsu (CN)

(72) Inventor: **Chun-Hung Yeh**, Jiangsu (CN)

(**) Term: **15 Years**

(21) Appl. No.: **29/783,778**

(22) Filed: **May 14, 2021**

(51) **LOC (13) Cl.** **26-06**

(52) **U.S. Cl.**
USPC **D26/28**

(58) **Field of Classification Search**
USPC D26/28–36, 139
CPC F21S 48/00; F21S 48/10; F21S 48/115;
F21S 48/225; F21S 48/1233; F21S
48/1266; F21S 48/1388; F21S 48/2268;
F21V 5/00; F21V 21/04; F21V 29/004;
B60Q 9/13; B60Q 9/135; B60Q 9/1375
See application file for complete search history.

(56) **References Cited**

U.S. PATENT DOCUMENTS

D593,233 S	5/2009	Bai et al.
D656,639 S	3/2012	Kusamoto
D674,941 S	1/2013	Lai
D676,166 S	2/2013	Lai
D706,471 S	6/2014	Lai
D718,893 S	12/2014	Lai
D720,870 S	1/2015	Lim et al.
D721,450 S	1/2015	Lai
D761,463 S	7/2016	Lai

D774,671 S	12/2016	Lai	
D796,715 S	9/2017	Lin	
D797,332 S	9/2017	Lin	
D802,812 S	11/2017	Lai	
D809,682 S	2/2018	Lin	
D824,058 S	7/2018	Hong et al.	
D874,039 S	*	1/2020	He D26/28
D874,040 S	*	1/2020	He D26/28
D883,536 S	*	5/2020	Lin D26/28
D883,537 S	*	5/2020	Lin D26/28
D916,337 S	*	4/2021	Yang D26/28
D921,945 S	*	6/2021	Lin D26/28
D929,622 S	*	8/2021	Wu D26/28

* cited by examiner

Primary Examiner — Marcus A Jackson

(74) *Attorney, Agent, or Firm* — Wayne IP LLC

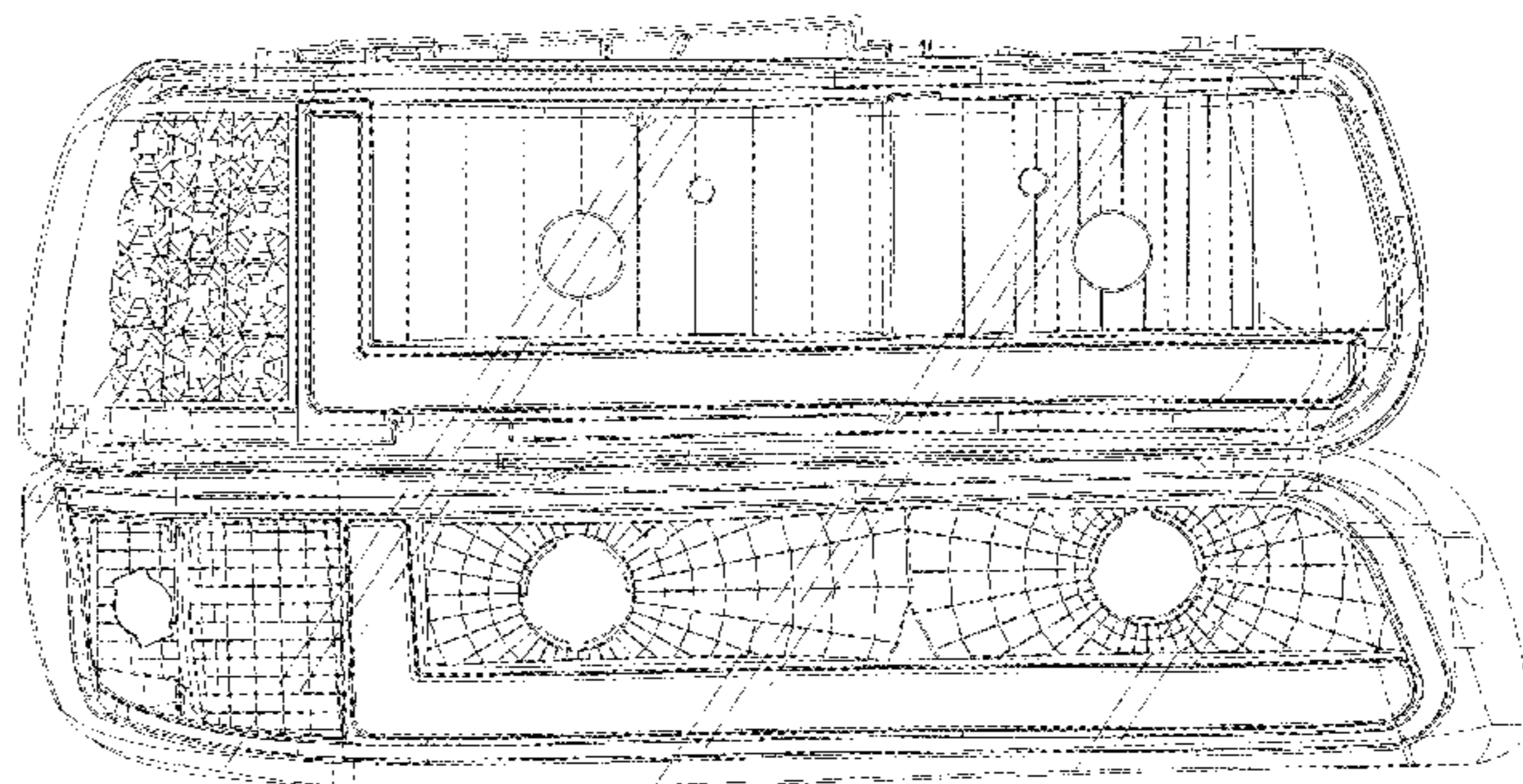
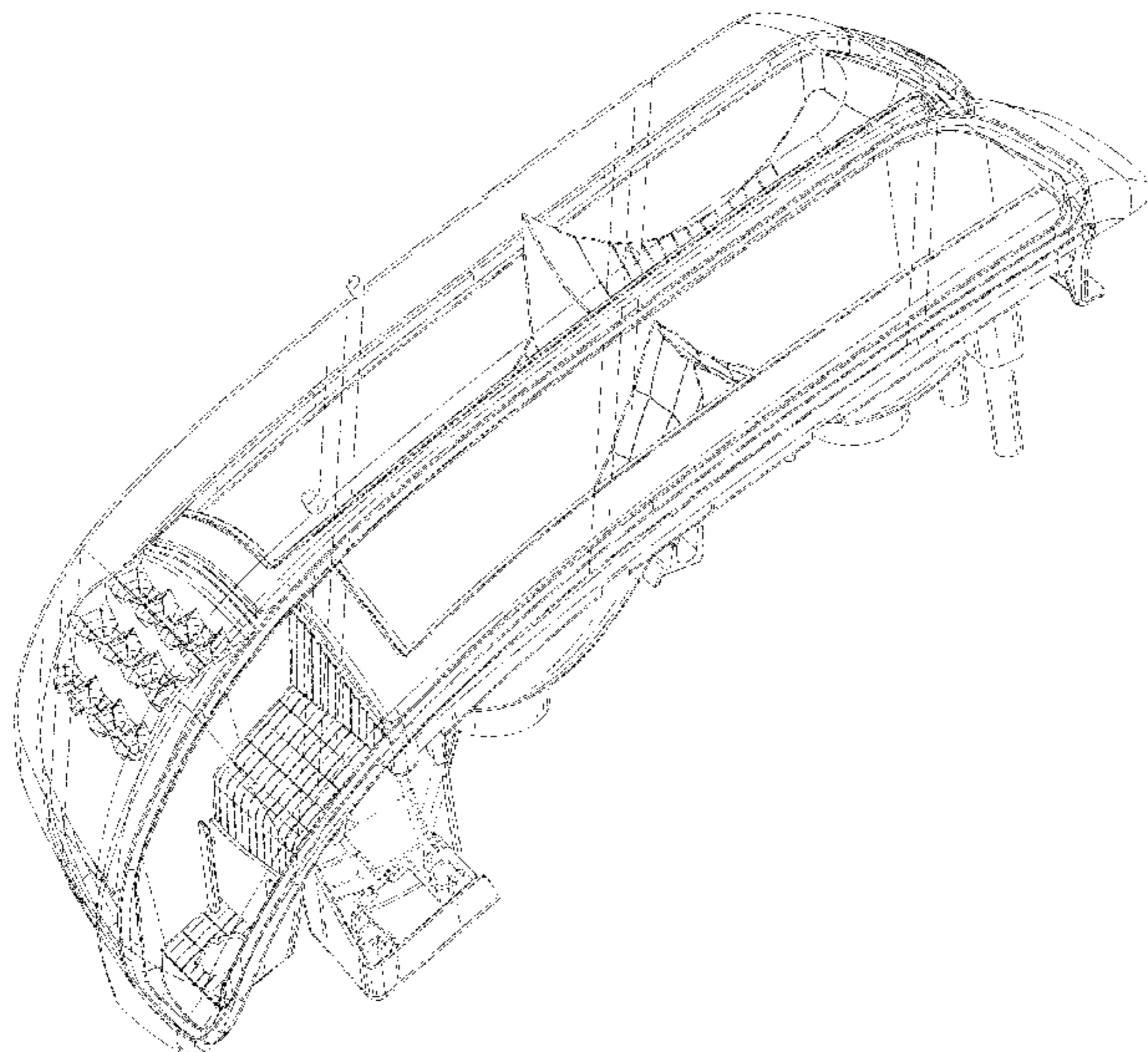
(57) **CLAIM**

The ornamental design for a vehicle headlight, as shown and described.

DESCRIPTION

FIG. 1 is a perspective view of a vehicle headlight showing our new design;
FIG. 2 is another perspective view thereof;
FIG. 3 is a front view thereof;
FIG. 4 is a back view thereof;
FIG. 5 is a left view thereof;
FIG. 6 is a right view thereof;
FIG. 7 is a top view thereof; and,
FIG. 8 is a bottom view thereof.
The broken lines shown on the drawings depict portions of the vehicle headlight that form no part of the claimed design.

1 Claim, 8 Drawing Sheets



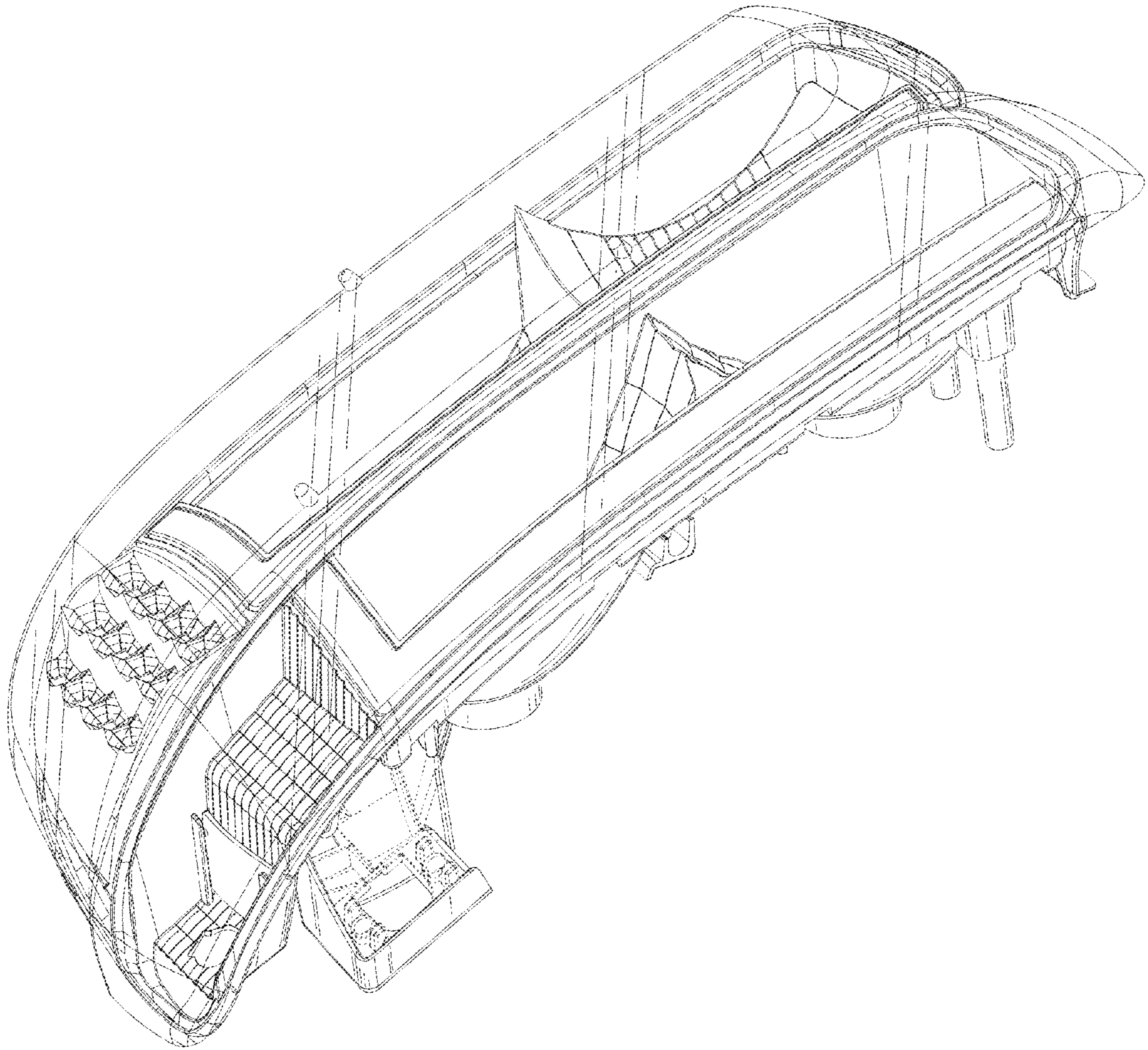


FIG. 1

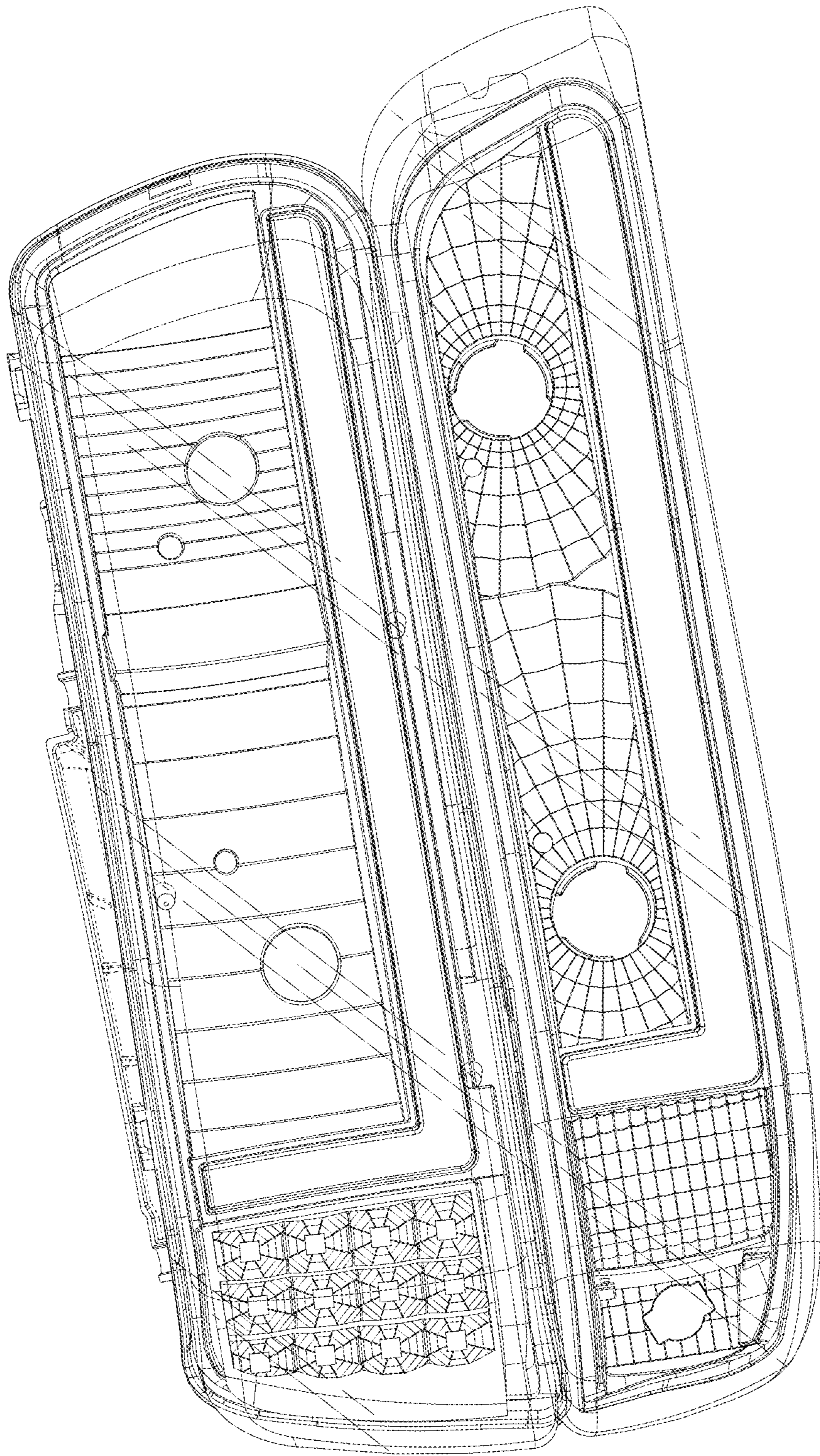


FIG. 2

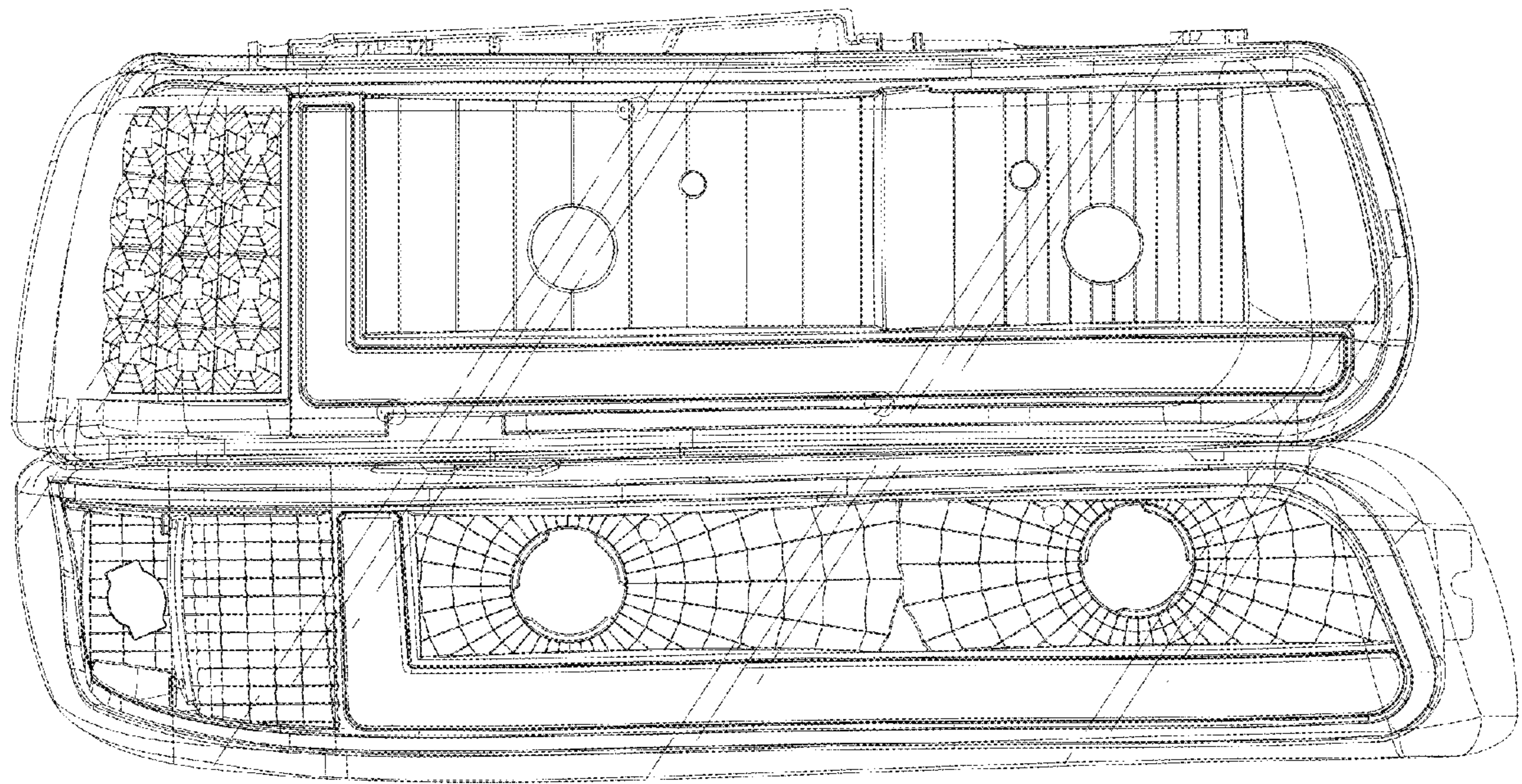


FIG. 3

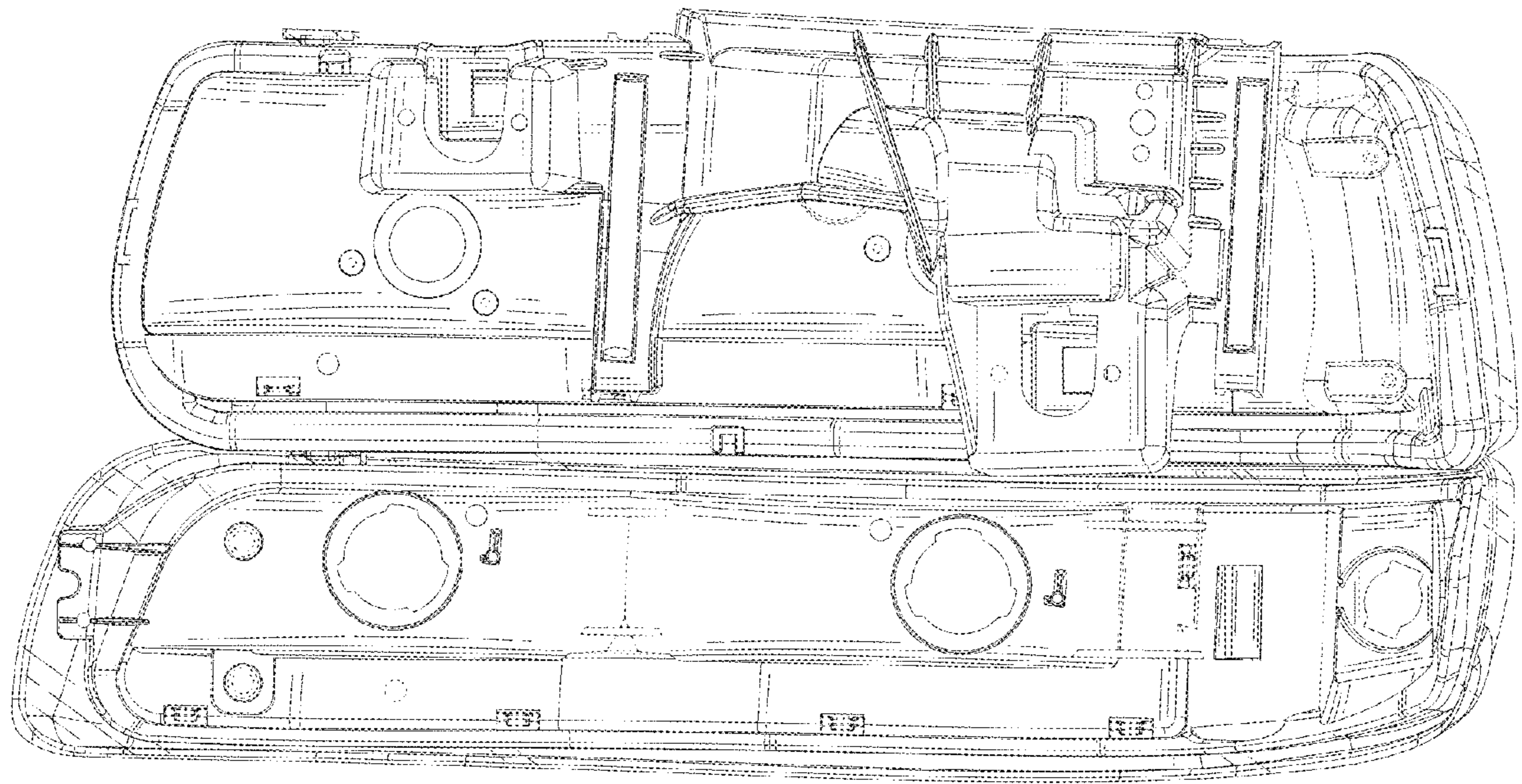


FIG. 4

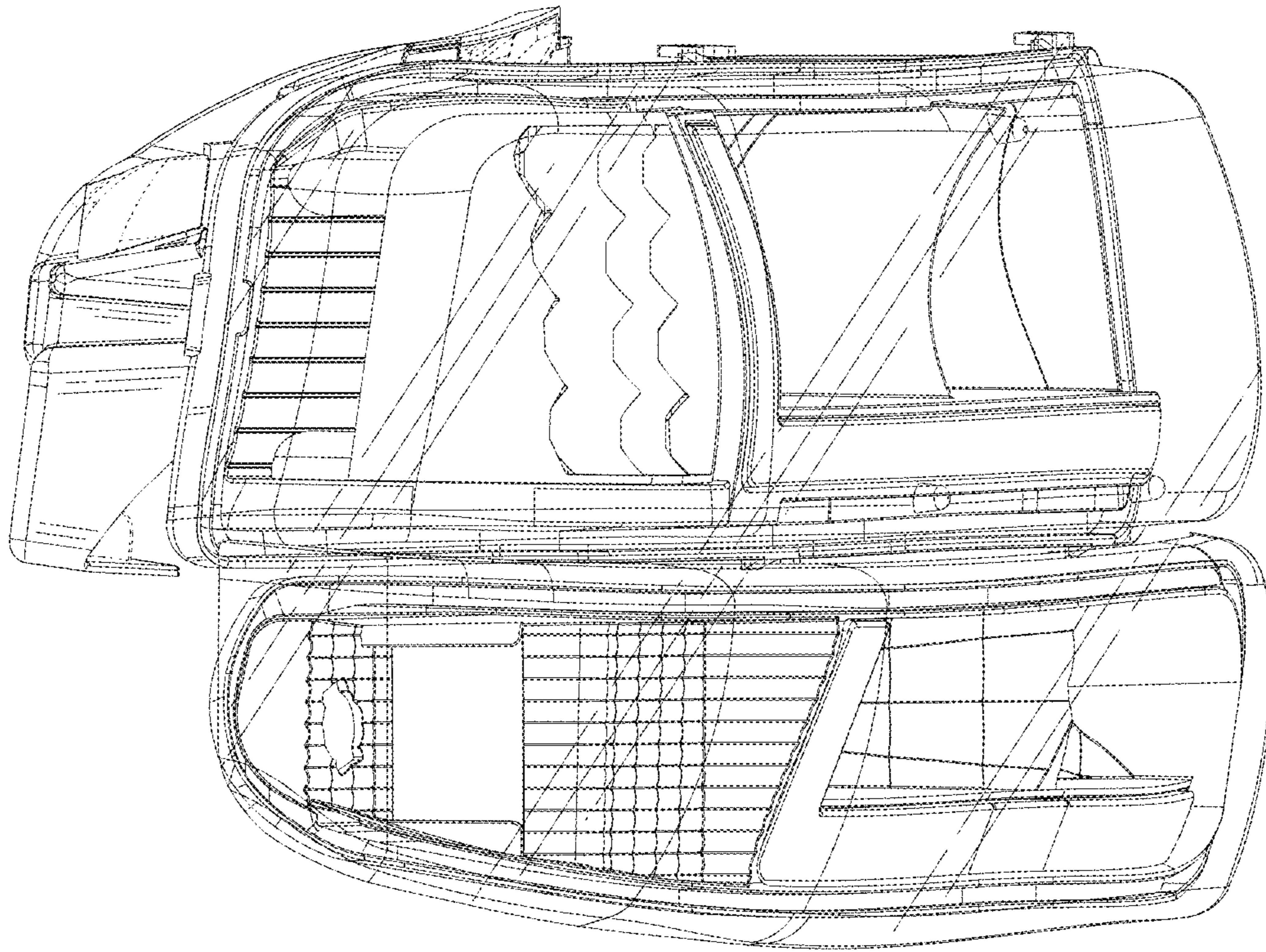


FIG. 5

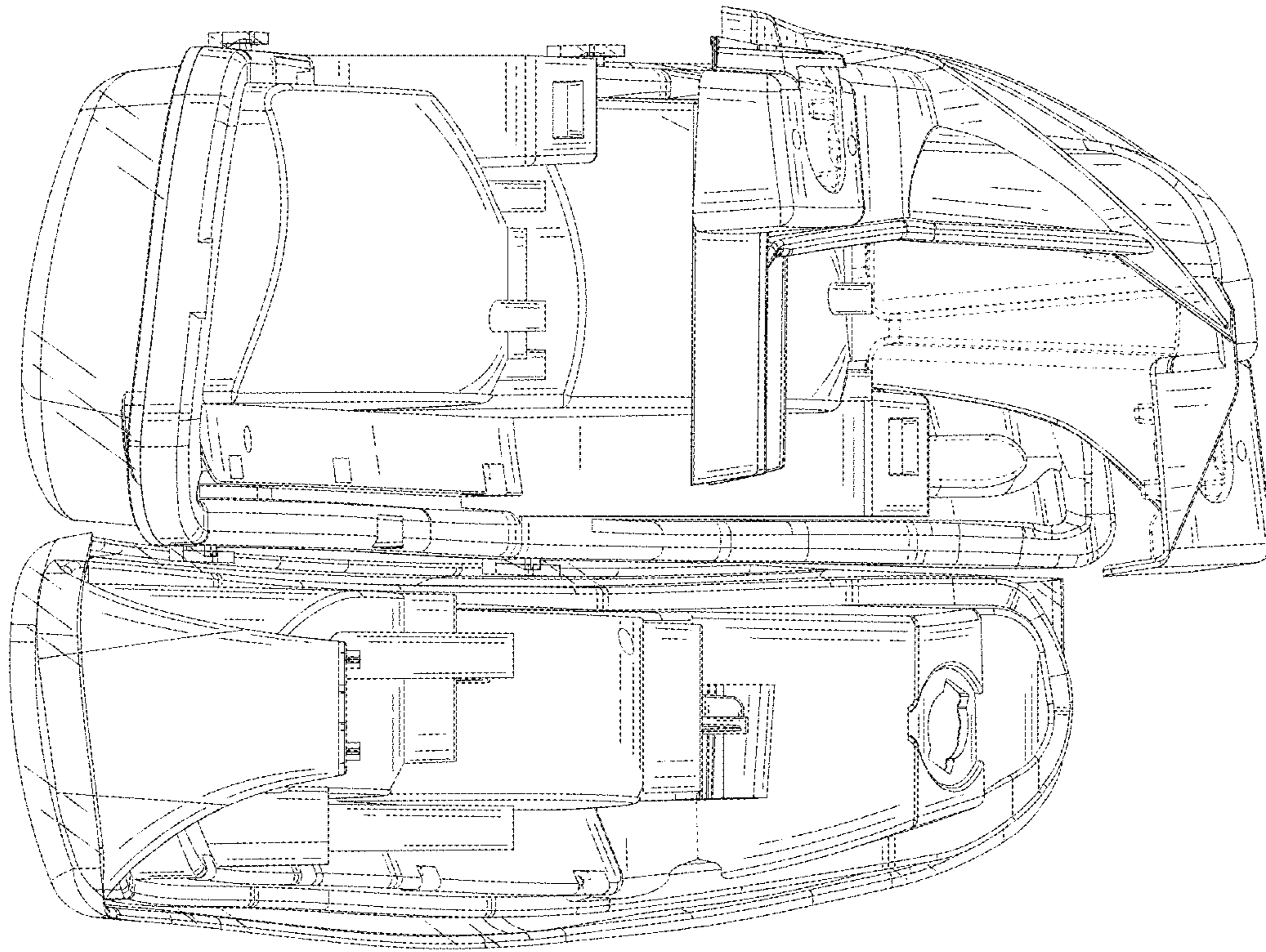


FIG. 6

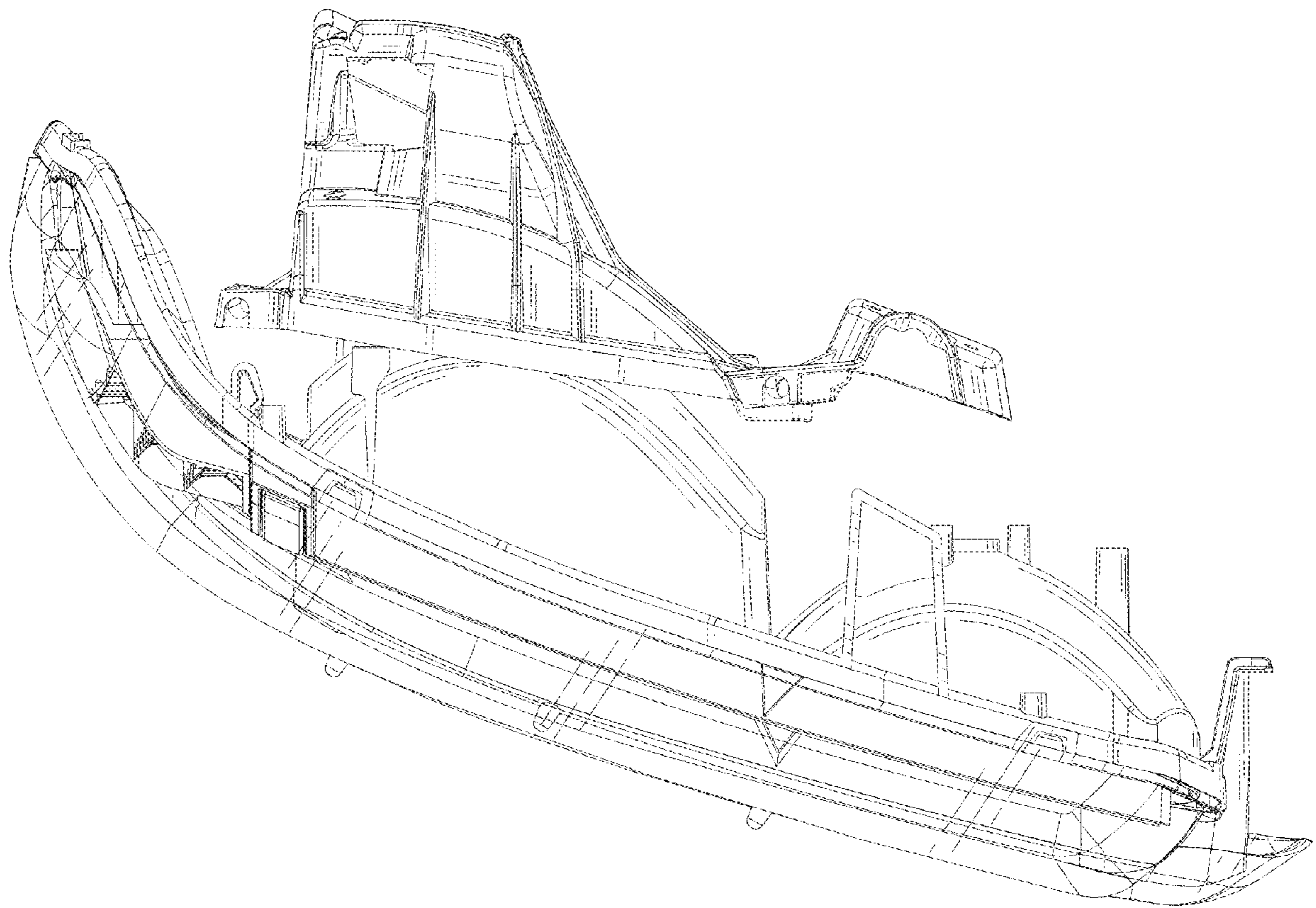


FIG. 7

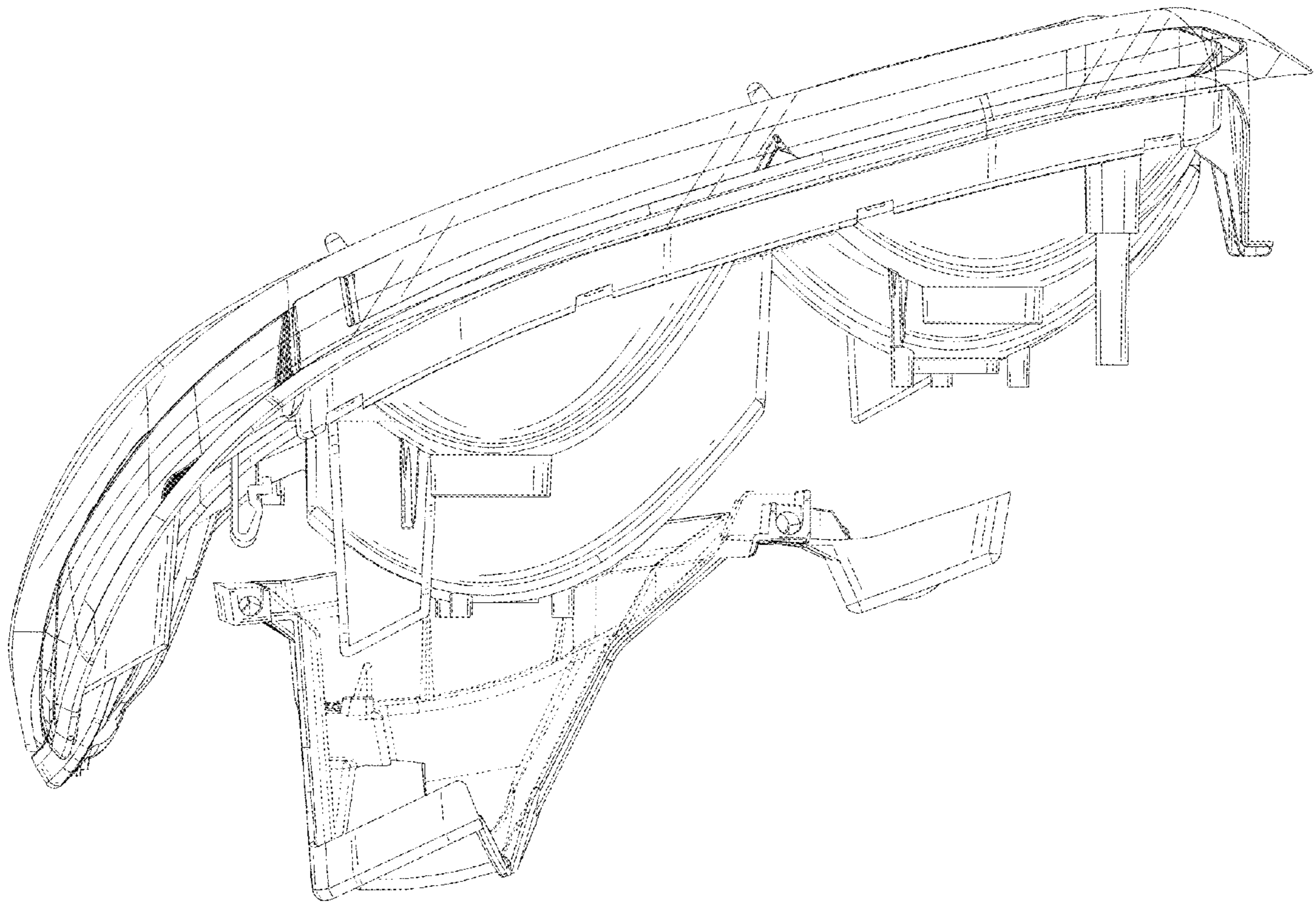


FIG. 8