



US00D946793S

(12) **United States Design Patent**
Jiang

(10) **Patent No.:** **US D946,793 S**

(45) **Date of Patent:** **** Mar. 22, 2022**

(54) **FOG LAMP**

(71) Applicant: **Guangzhou Chengguang Electronic Technology Co., Ltd.**, Guangdong (CN)

(72) Inventor: **Lanyan Jiang**, Hunan (CN)

(73) Assignee: **Guangzhou Chengguang Electronic Technology Co., Ltd.**, Guangdong (CN)

(**) Term: **15 Years**

(21) Appl. No.: **29/781,190**

(22) Filed: **Apr. 28, 2021**

(51) **LOC (13) Cl.** **26-06**

(52) **U.S. Cl.**
USPC **D26/28**

(58) **Field of Classification Search**
USPC D6/28-36, 39
CPC F21S 48/00; F21S 48/10; F21S 48/115;
F21S 48/225; F21S 48/1233; F21S 48/1266; F21S 48/1388; F21S 48/2268;
F21V 5/00; F21V 21/04; F21V 29/004;
B60Q 9/13; B60Q 9/135; B60Q 9/1375
See application file for complete search history.

(56) **References Cited**

U.S. PATENT DOCUMENTS

D600,838 S * 9/2009 Kuboshima D26/28
D625,034 S * 10/2010 Metzger D26/28

D642,303 S * 7/2011 King D26/28
D724,244 S * 3/2015 Hayez D26/28
D785,825 S 5/2017 Svensson et al.
D793,592 S * 8/2017 Chen D26/28
D798,475 S * 9/2017 Georgitsis D26/28
D799,080 S * 10/2017 Dennis D26/28
D810,974 S 2/2018 Sato
D827,167 S * 8/2018 Deyaf D26/28

* cited by examiner

Primary Examiner — Marcus A Jackson

(74) *Attorney, Agent, or Firm* — ScienBiziP, P.C.

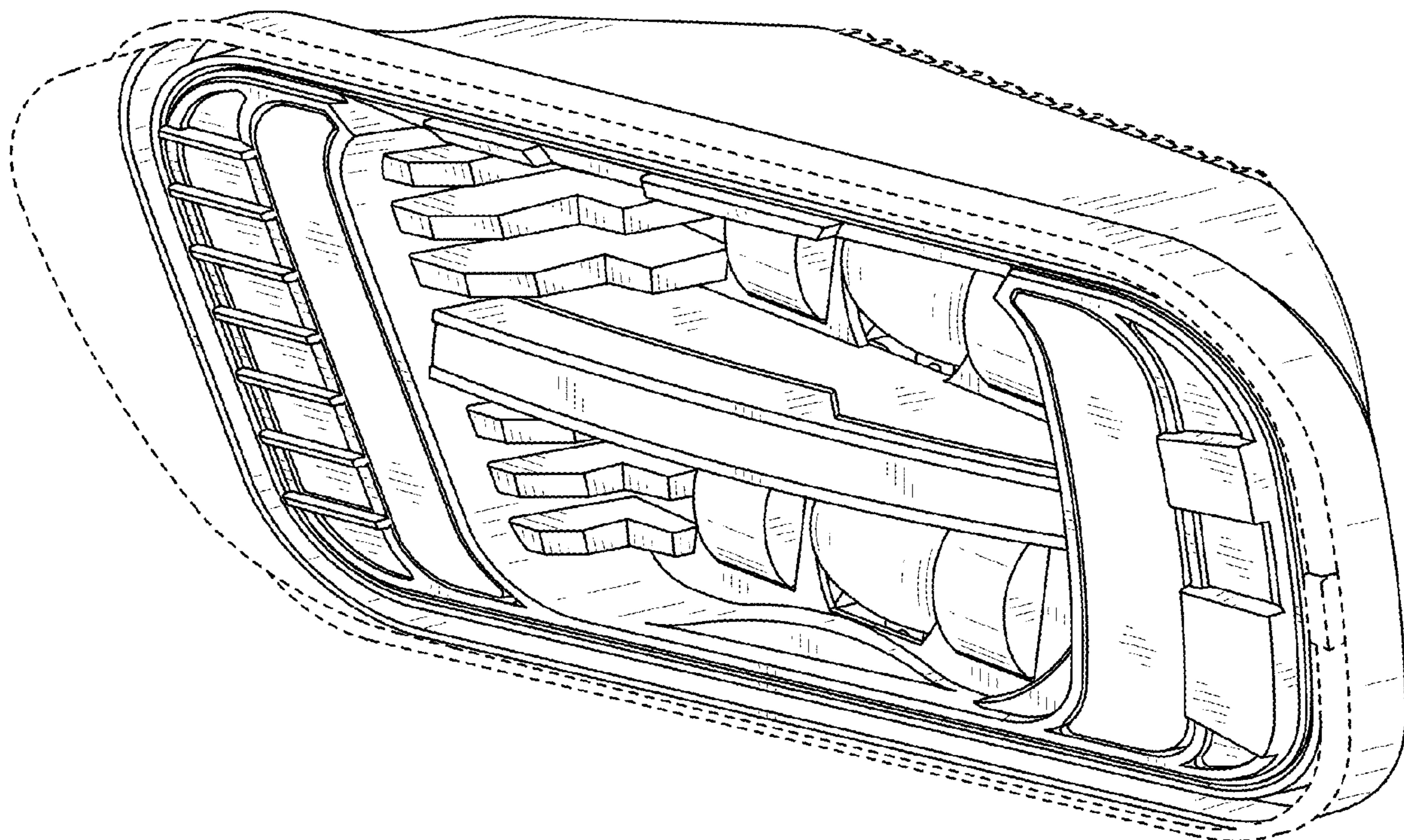
(57) **CLAIM**

The ornamental design for a fog lamp, as shown and described.

DESCRIPTION

FIG. 1 is a front, right, and top perspective view of a fog lamp, showing my design.
FIG. 2 is a front elevation view thereof.
FIG. 3 is a rear elevation view thereof.
FIG. 4 is a left side elevation view thereof.
FIG. 5 is a right side elevation view thereof.
FIG. 6 is a top plan view thereof; and,
FIG. 7 is a bottom plan view thereof.
The broken lines shown in the drawings are included for the purpose of illustrating portions of the fog lamp that form no part of the claimed design.

1 Claim, 7 Drawing Sheets



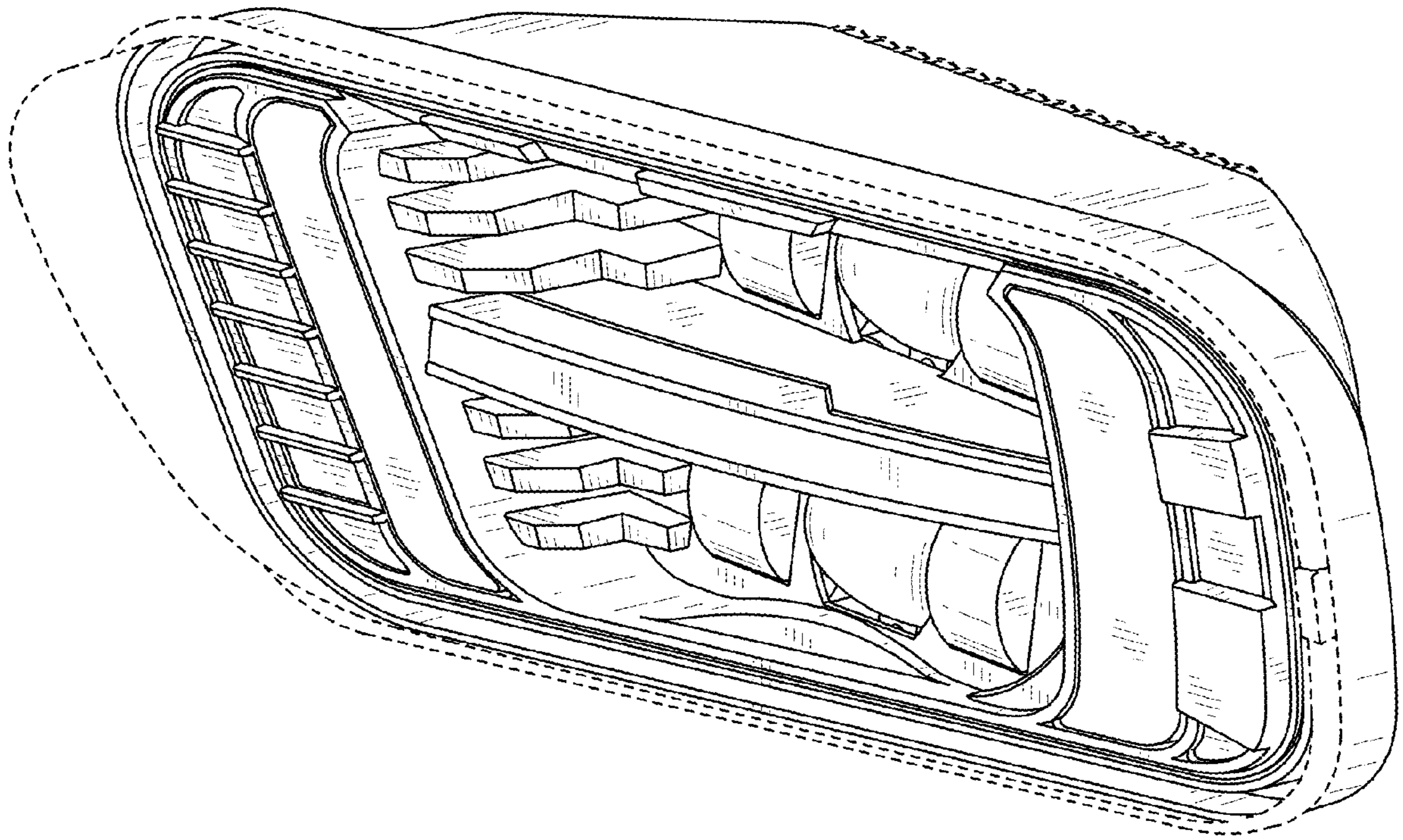


FIG.1

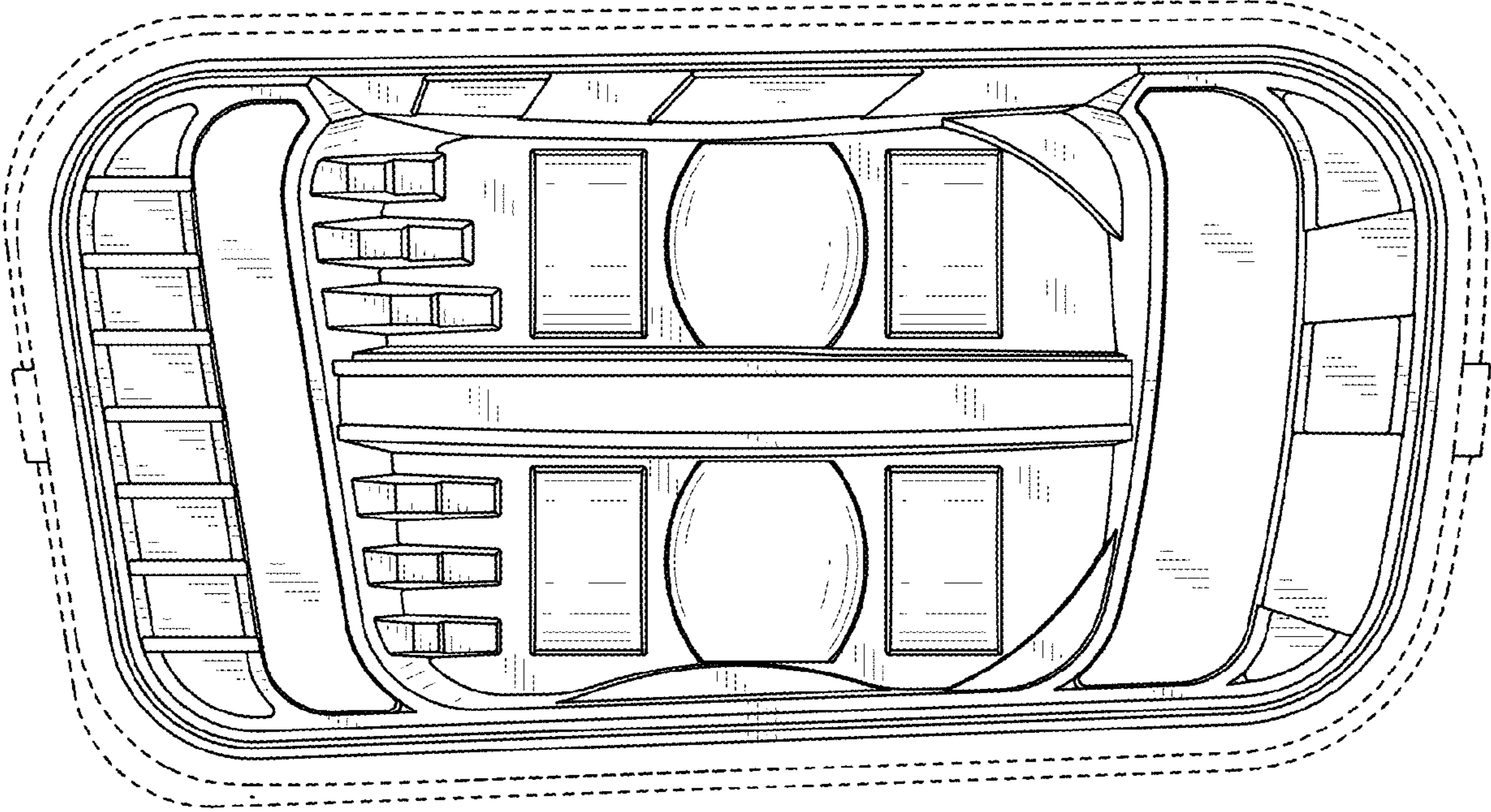


FIG.2

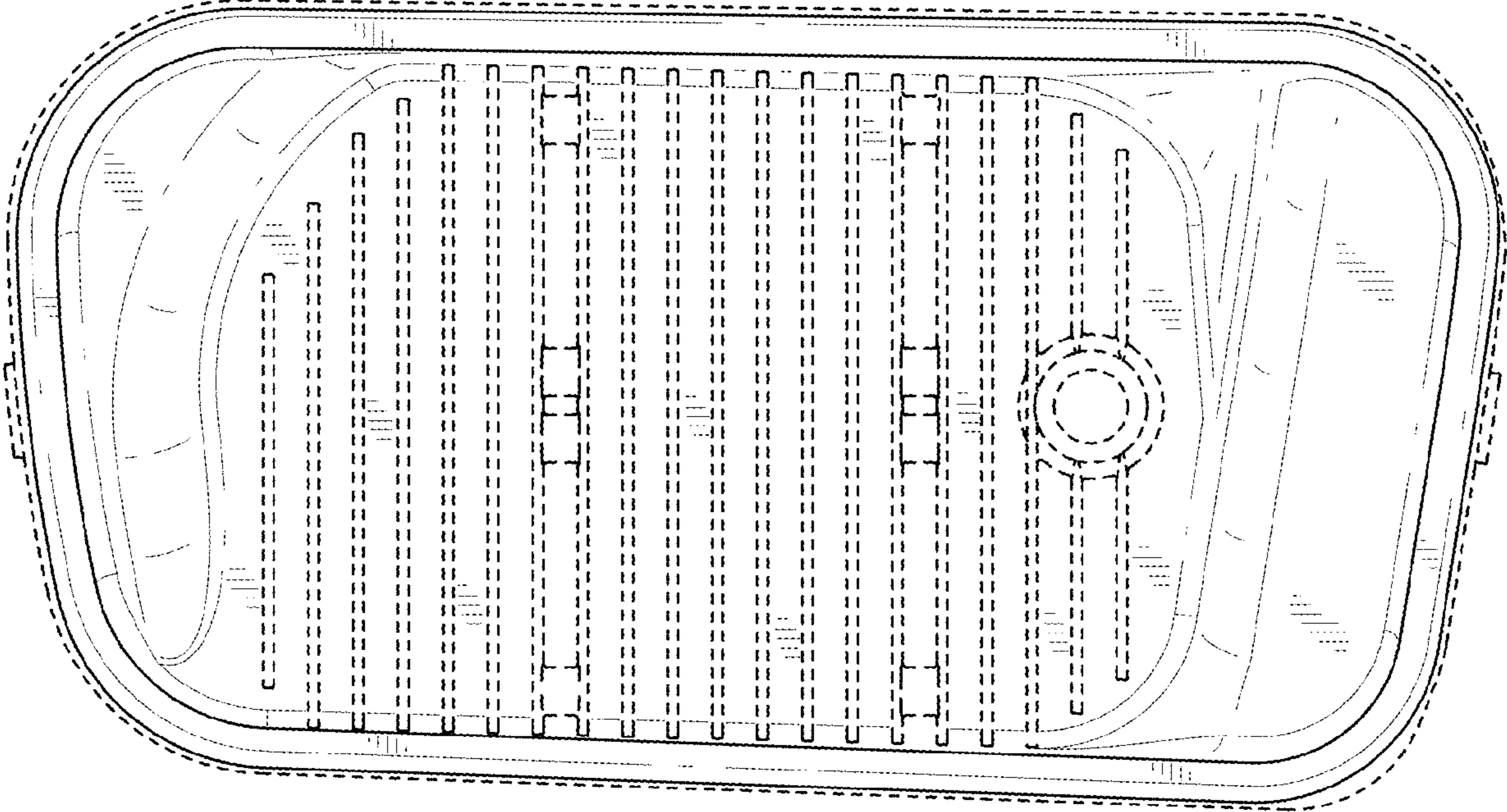


FIG.3

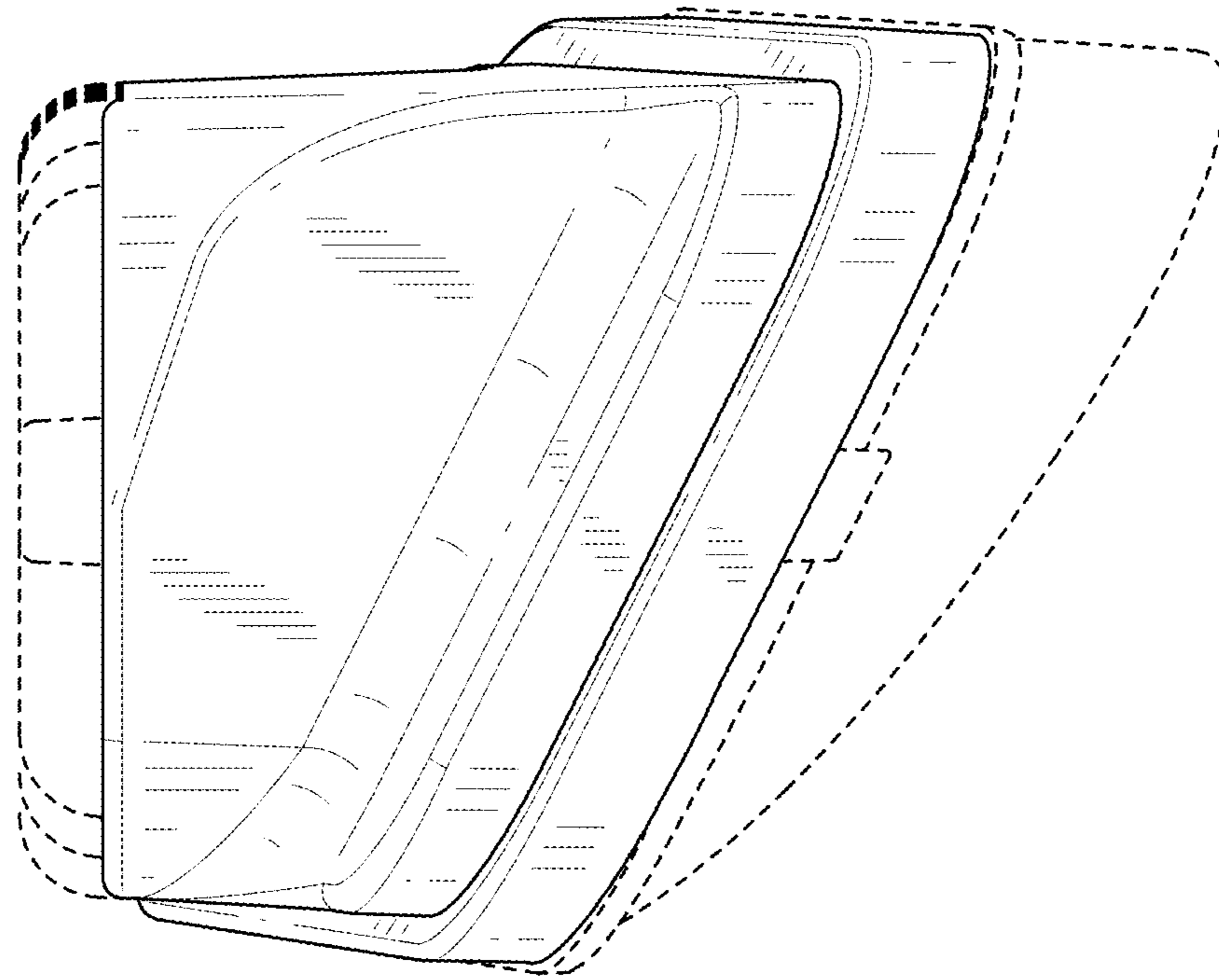


FIG.4

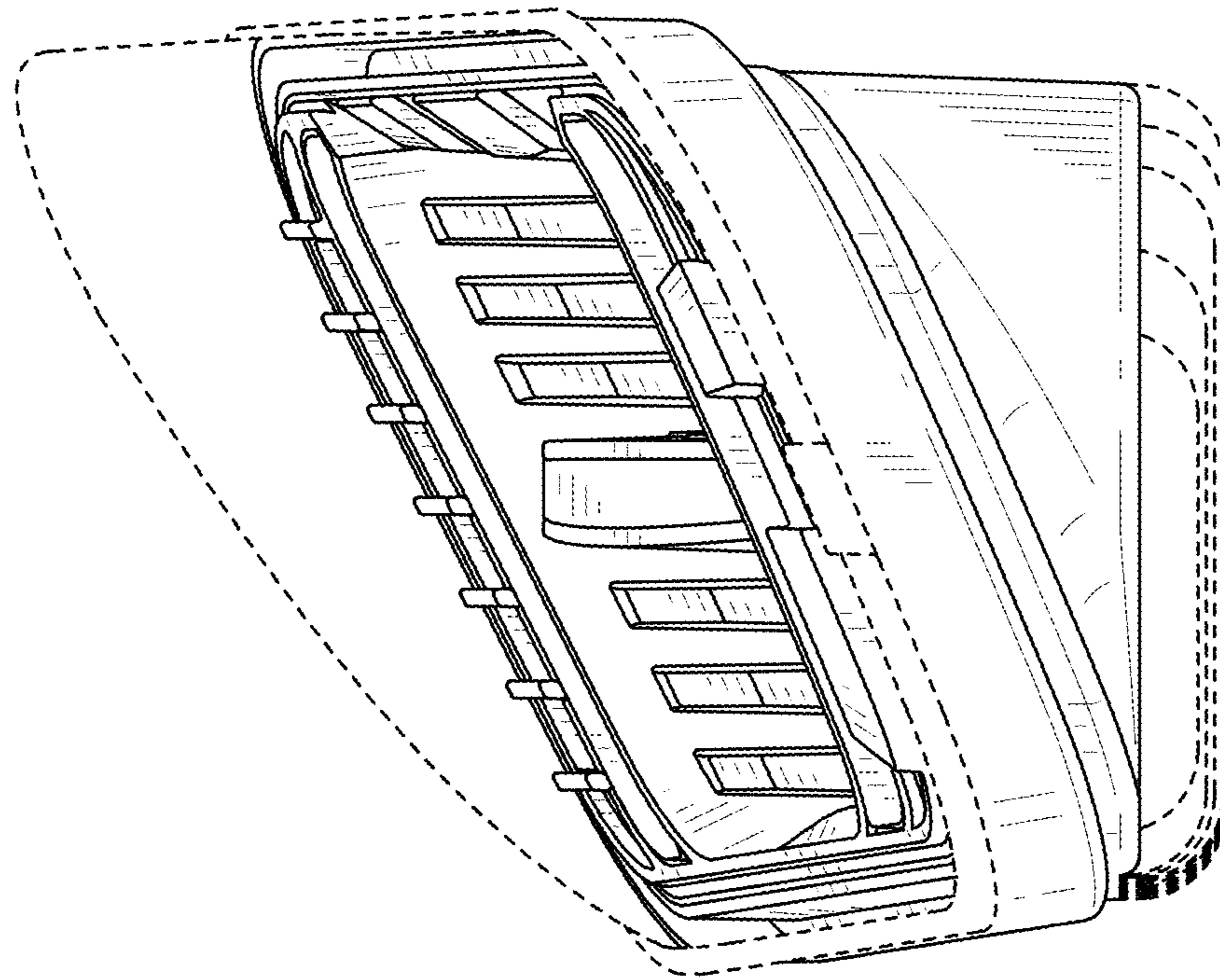


FIG.5

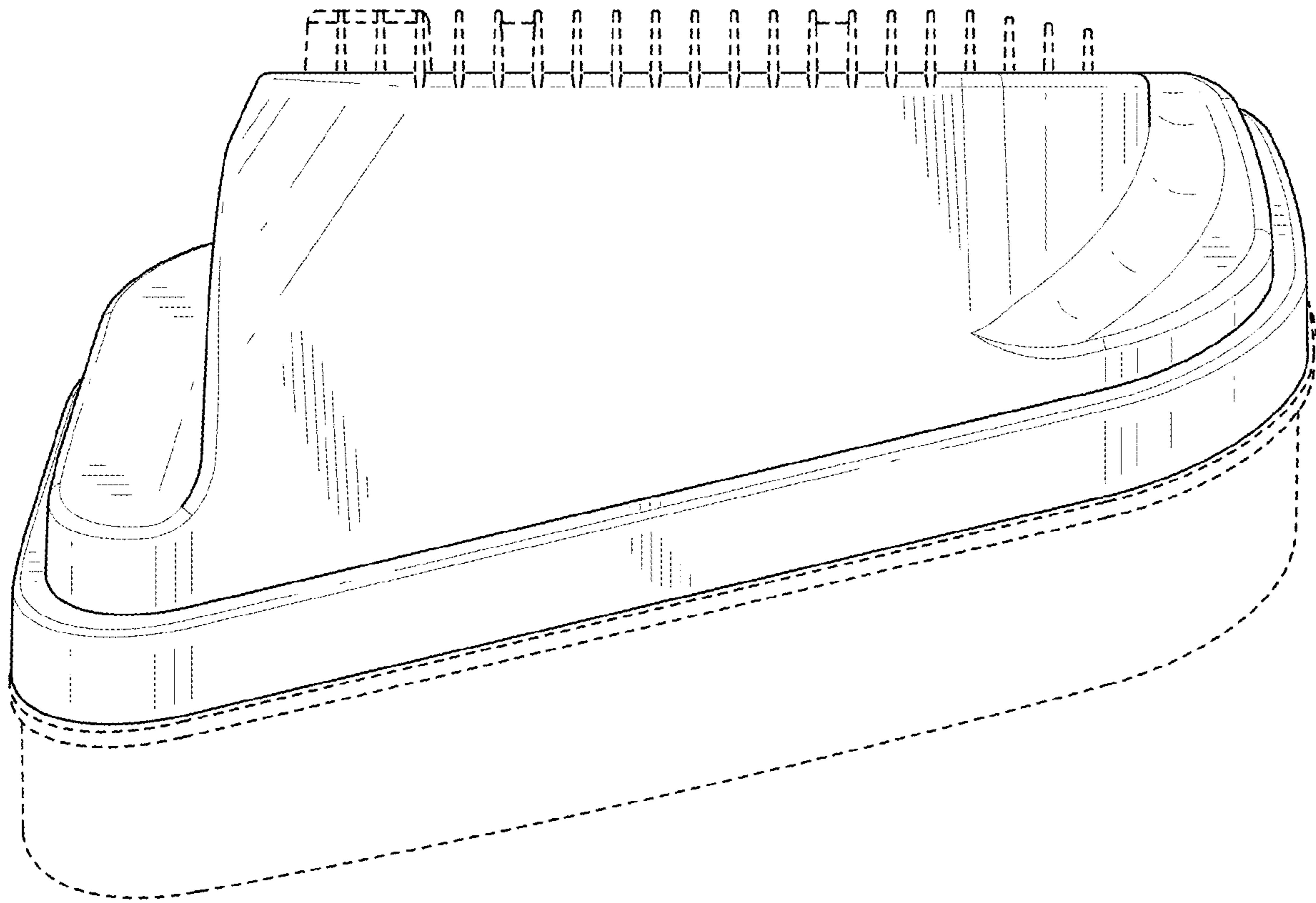


FIG.6

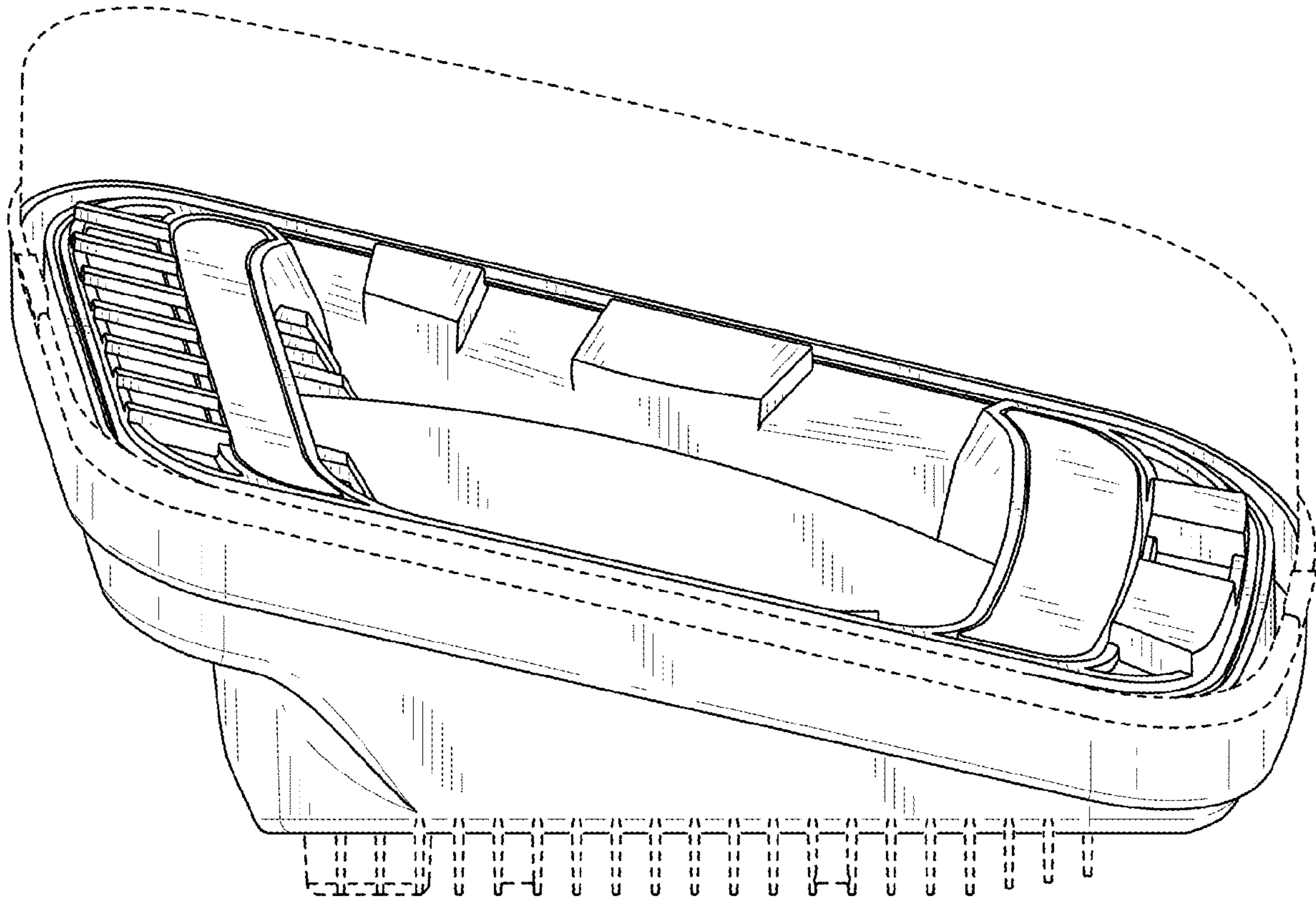


FIG.7