



US00D946792S

(12) **United States Design Patent**
Jiang

(10) **Patent No.:** **US D946,792 S**

(45) **Date of Patent:** **** Mar. 22, 2022**

(54) **FOG LAMP**

(71) Applicant: **Guangzhou Zhuotuo Electronic Commerce Co., Ltd., Guangdong (CN)**

(72) Inventor: **Lanyan Jiang, Hunan (CN)**

(73) Assignee: **Guangzhou Zhuotuo Electronic Commerce Co., Ltd., Guangdong (CN)**

(**) Term: **15 Years**

(21) Appl. No.: **29/778,998**

(22) Filed: **Apr. 15, 2021**

(51) **LOC (13) Cl.** **26-06**

(52) **U.S. Cl.**
USPC **D26/28**

(58) **Field of Classification Search**
USPC D26/28, 29, 30, 31, 32, 33, 34, 35, 36,
D26/139

CPC F21W 2103/35; F21W 2103/40; F21W
2102/17; F21W 2102/30; F21W 2103/00;
F21W 2103/55; F21W 2104/00; F21W
2107/17; F21W 2107/13; F21S 41/00;
F21S 41/141; F21S 41/162; F21S 41/18;
F21S 41/20; F21S 41/33; F21S 41/36;
F21S 41/60; F21S 43/00; F21V 21/04

See application file for complete search history.

(56) **References Cited**

U.S. PATENT DOCUMENTS

D347,078 S * 5/1994 Lyons D26/35
D676,990 S * 2/2013 Adams D26/31

D704,363 S * 5/2014 Adams D26/28
D711,026 S * 8/2014 Haumann D26/31
D750,820 S * 3/2016 Packard D26/31
D785,825 S 5/2017 Svensson et al.
D810,974 S 2/2018 Sato
D821,618 S * 6/2018 Granlund D26/28
D833,655 S * 11/2018 Ko D26/28
D870,925 S * 12/2019 Wu D26/28
D886,339 S * 6/2020 Wu D26/28
D895,862 S * 9/2020 Lin D26/28
D909,637 S * 2/2021 Wu D26/28
D922,626 S * 6/2021 Yeh D26/28
D938,076 S * 12/2021 Lin D26/28

* cited by examiner

Primary Examiner — Angela J Lee

(74) *Attorney, Agent, or Firm* — ScienBiziP, P.C.

(57) **CLAIM**

The ornamental design for a fog lamp, as shown and described.

DESCRIPTION

FIG. 1 is a front, right, and top perspective view of a fog lamp, showing my design.

FIG. 2 is a front elevation view thereof.

FIG. 3 is a rear elevation view thereof.

FIG. 4 is a left side elevation view thereof.

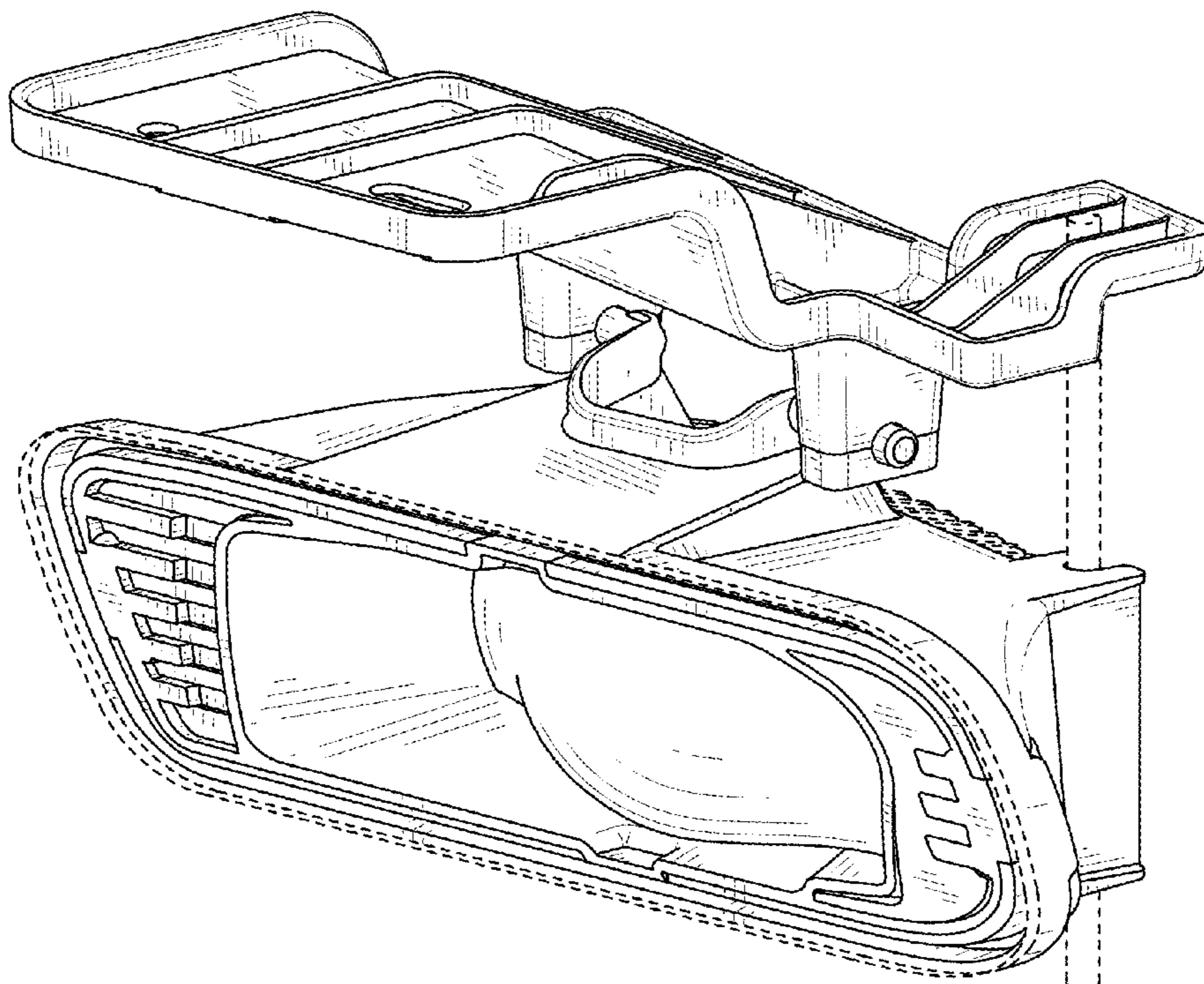
FIG. 5 is a right side elevation view thereof.

FIG. 6 is a top plan view thereof; and,

FIG. 7 is a bottom plan view thereof.

The broken lines shown in the drawings are included for the purpose of illustrating portions of the fog lamp that form no part of the claimed design.

1 Claim, 7 Drawing Sheets



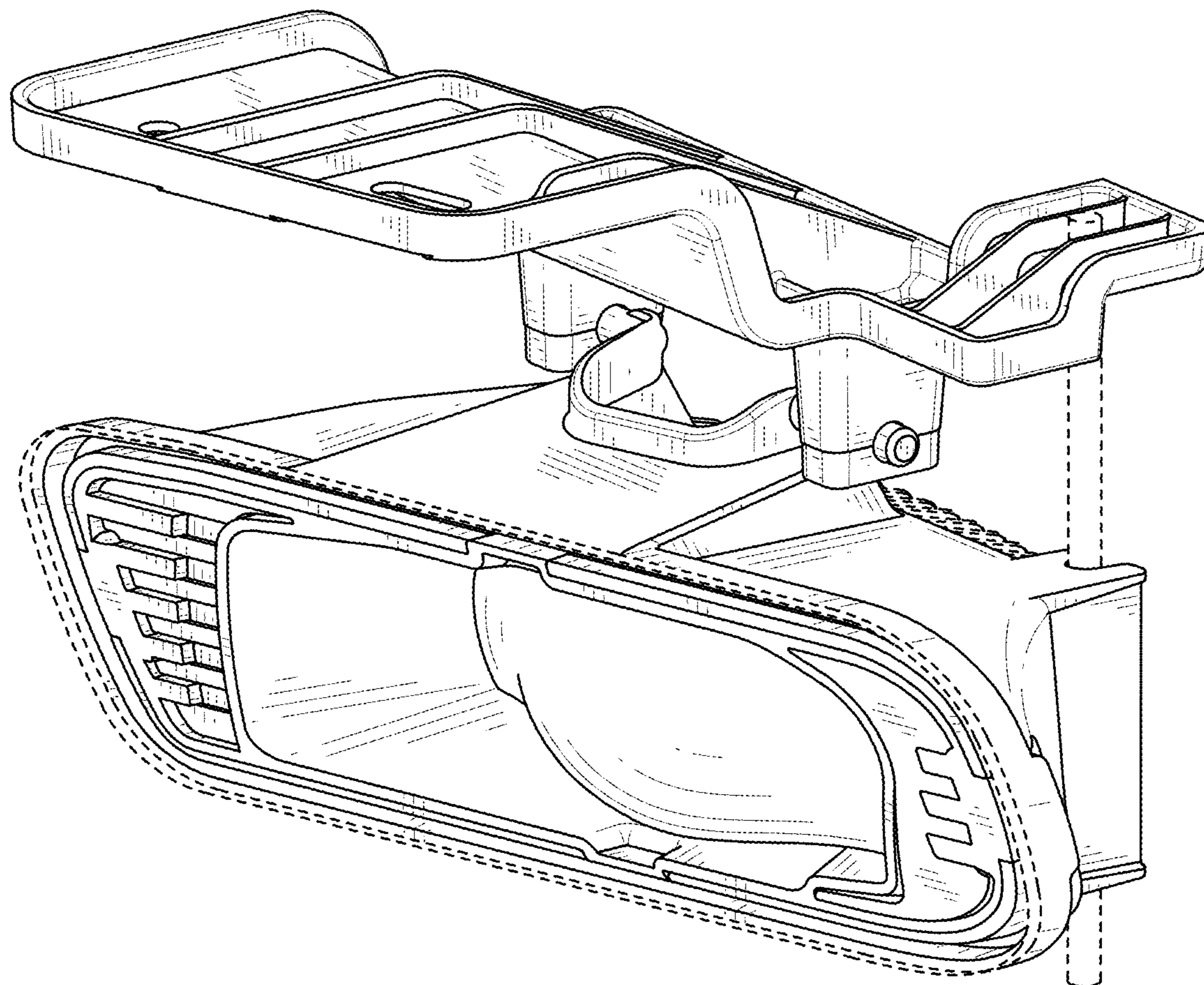


FIG.1

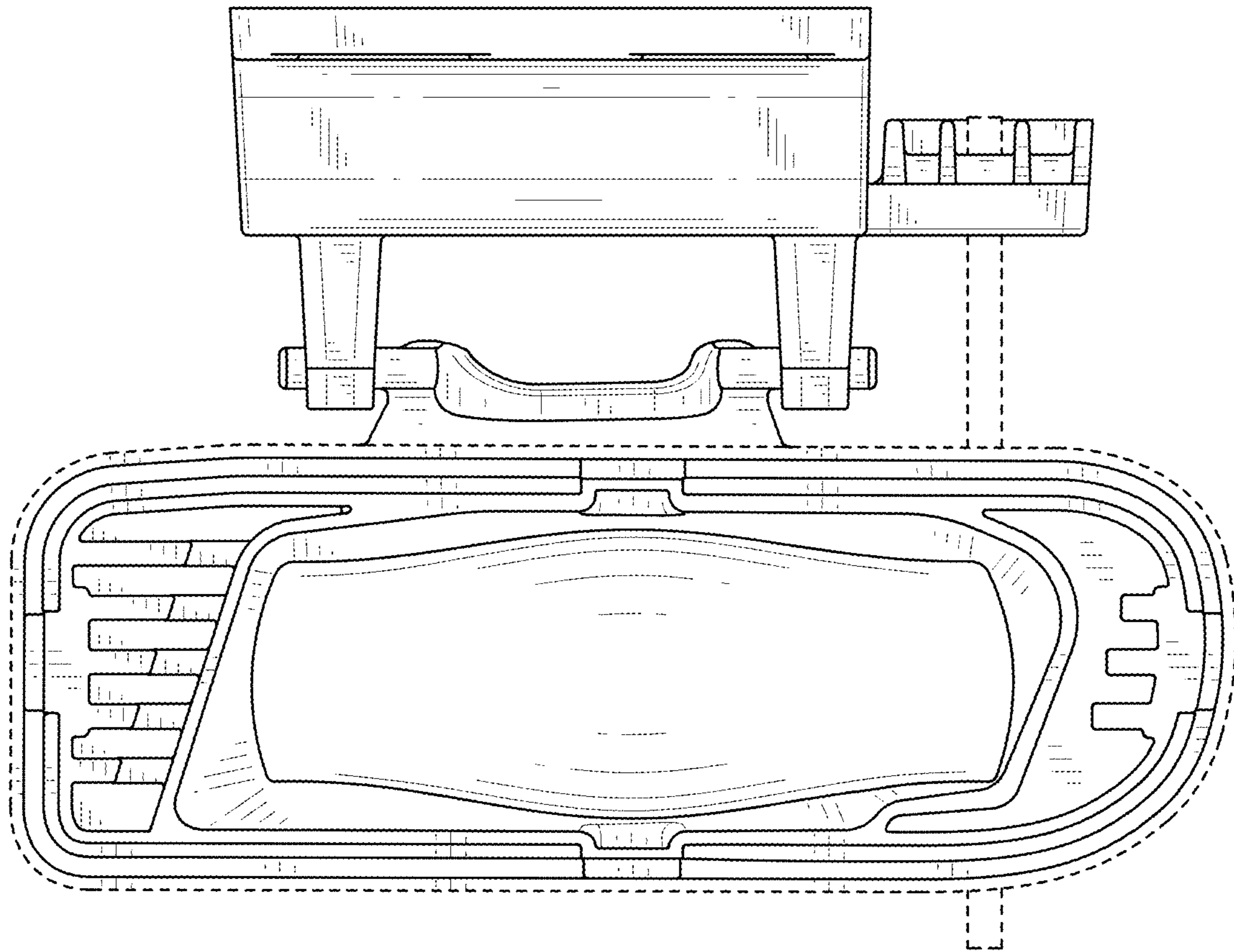


FIG.2

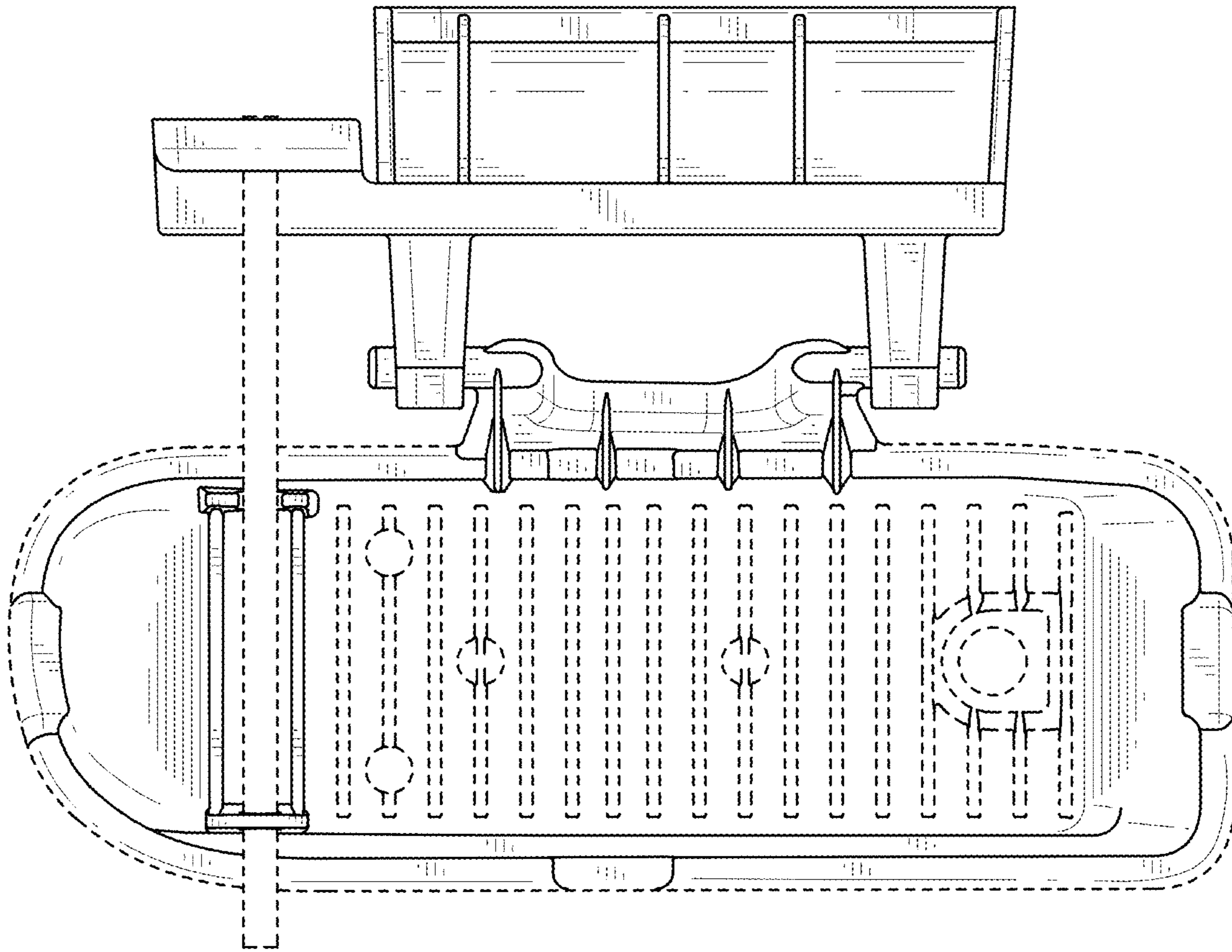


FIG.3

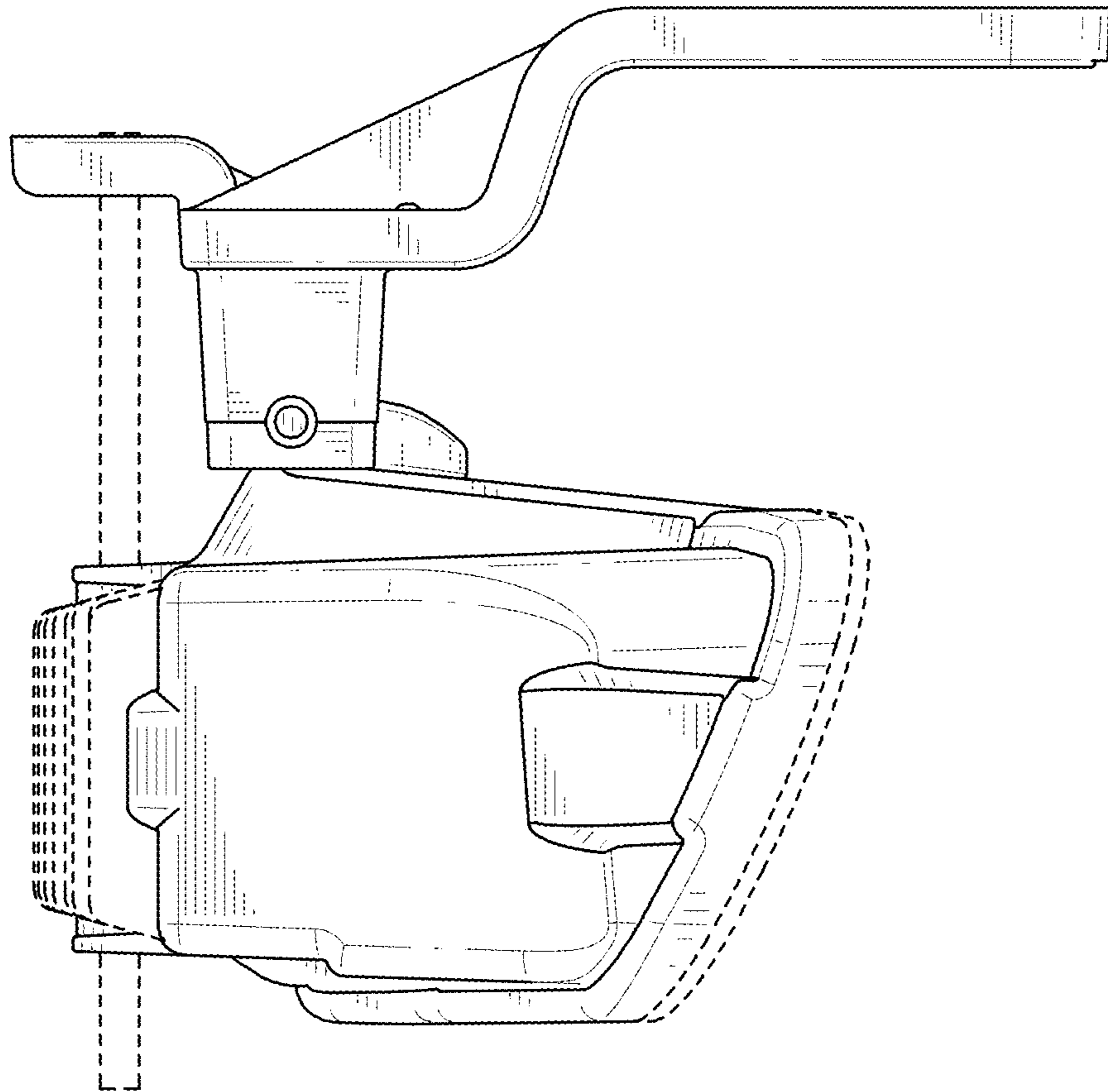


FIG.4

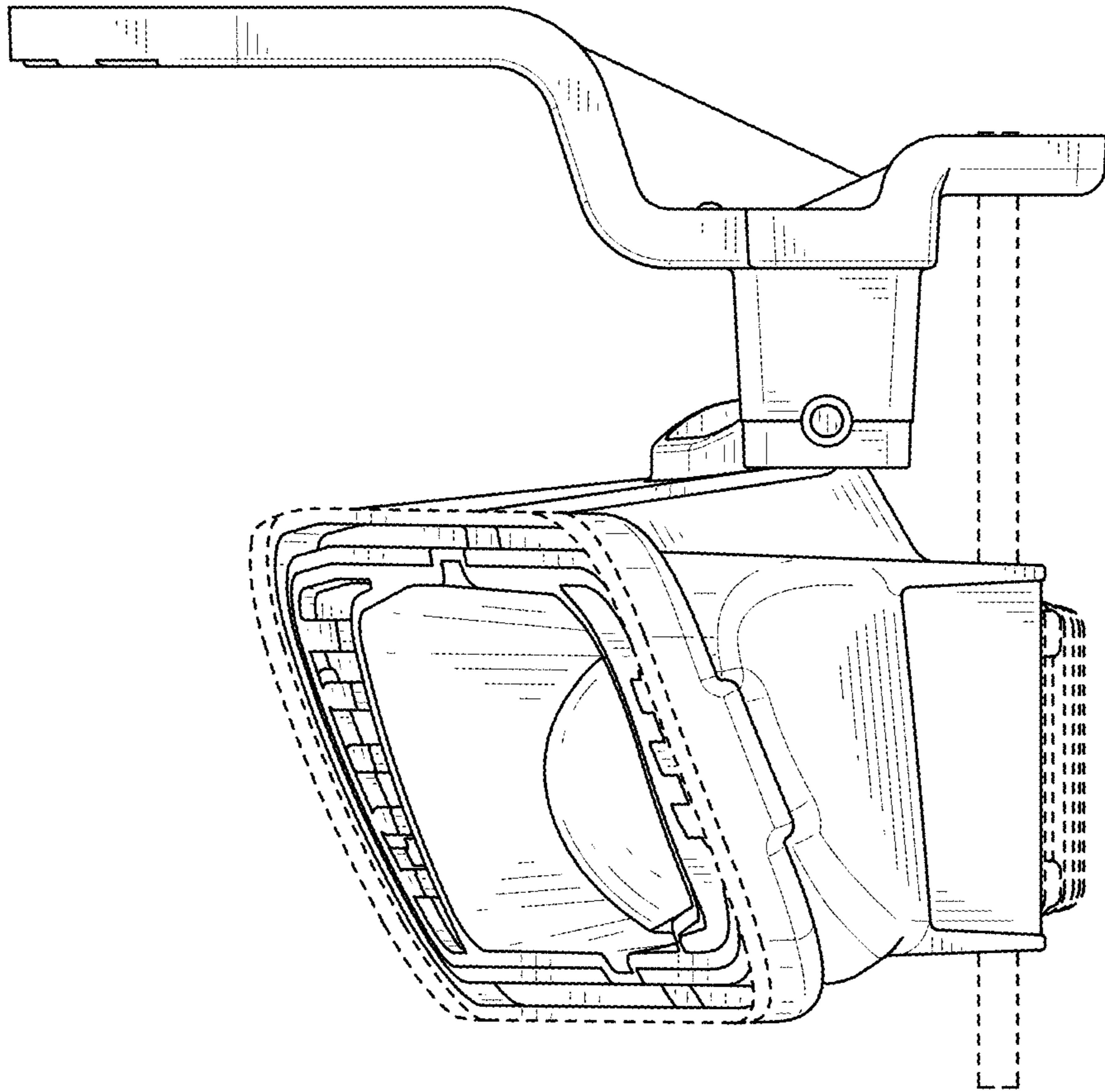


FIG.5

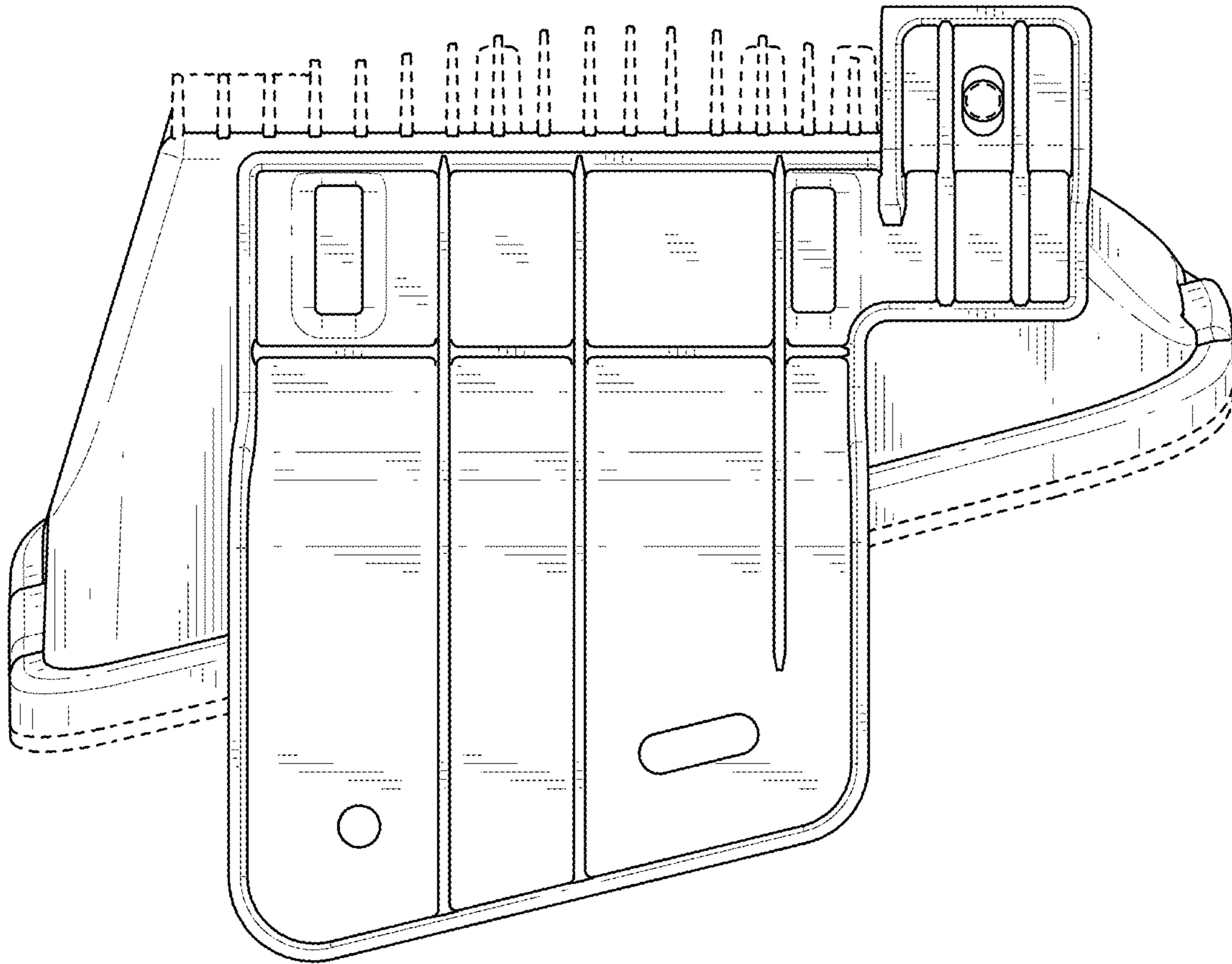


FIG.6

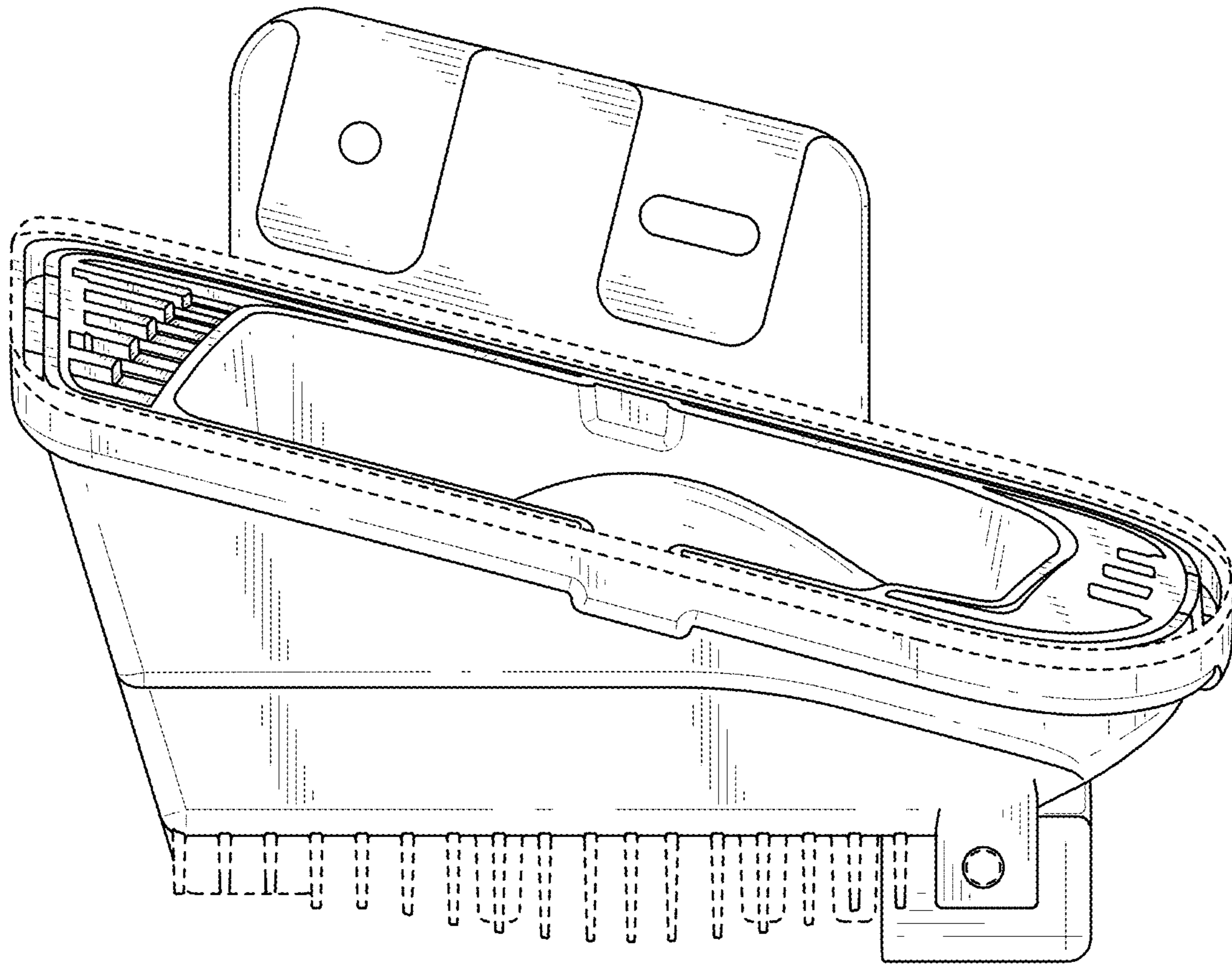


FIG.7