



US00D946788S

(12) **United States Design Patent**  
**Huang**

(10) **Patent No.:** **US D946,788 S**  
(45) **Date of Patent:** **\*\* Mar. 22, 2022**

(54) **HEATING LAMP BULB**  
(71) Applicant: **Guo Huang**, Laohekou (CN)  
(72) Inventor: **Guo Huang**, Laohekou (CN)  
(\*\*) Term: **15 Years**

D695,430 S 12/2013 Chen  
D702,862 S \* 4/2014 Bukkems ..... D26/2  
D720,478 S \* 12/2014 Zeng ..... D26/2  
D722,710 S \* 2/2015 Cho ..... D26/2  
D742,039 S 10/2015 Yu

\* cited by examiner

*Primary Examiner* — Marcus A Jackson

(21) Appl. No.: **29/777,968**

(22) Filed: **Apr. 9, 2021**

(51) **LOC (13) Cl.** ..... **26-04**

(52) **U.S. Cl.**  
USPC ..... **D26/2**

(58) **Field of Classification Search**  
USPC ..... D26/1-4  
CPC ..... H01R 5/00; H01R 13/46; H01R 13/514;  
H01R 31/02; H01R 31/048; H01J 5/00;  
H01J 5/16; H01J 1/02; H01J 15/00; H01J  
5/48; H01J 5/50; H01J 19/54; F21V 5/00;  
F21K 9/00; F21K 13/00

See application file for complete search history.

(56) **References Cited**

**U.S. PATENT DOCUMENTS**

D553,266 S \* 10/2007 Maxik ..... D26/2  
D660,469 S \* 5/2012 Mase ..... D26/2

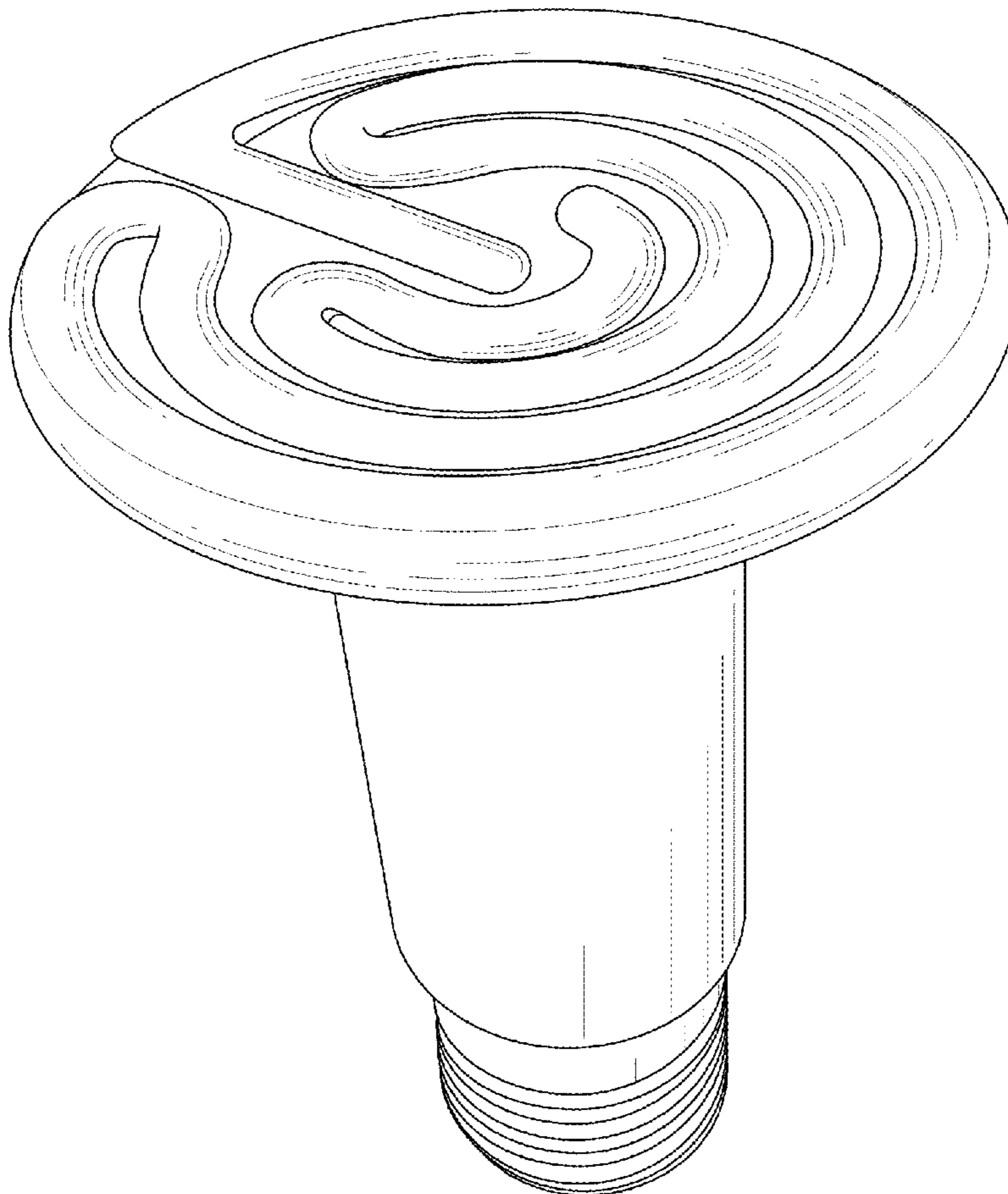
(57) **CLAIM**

The ornamental design for a heating lamp bulb, as shown and described.

**DESCRIPTION**

FIG. 1 is a perspective view of a heating lamp bulb showing my new design;  
FIG. 2 is a front view thereof;  
FIG. 3 is a rear view thereof;  
FIG. 4 is a left side view thereof;  
FIG. 5 is a right side view thereof;  
FIG. 6 is a top plan view thereof; and,  
FIG. 7 is a bottom plan view thereof.

**1 Claim, 7 Drawing Sheets**



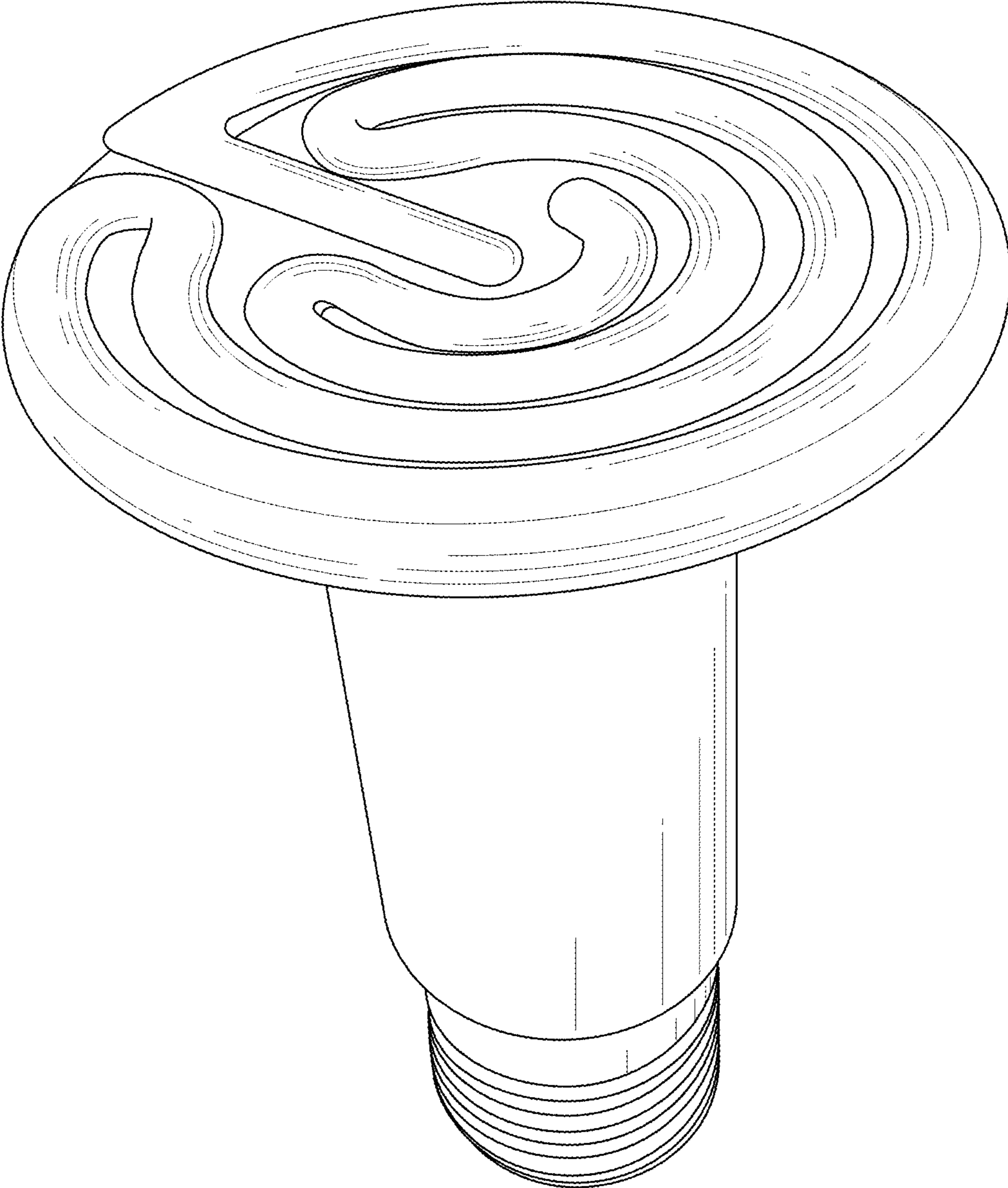


FIG. 1

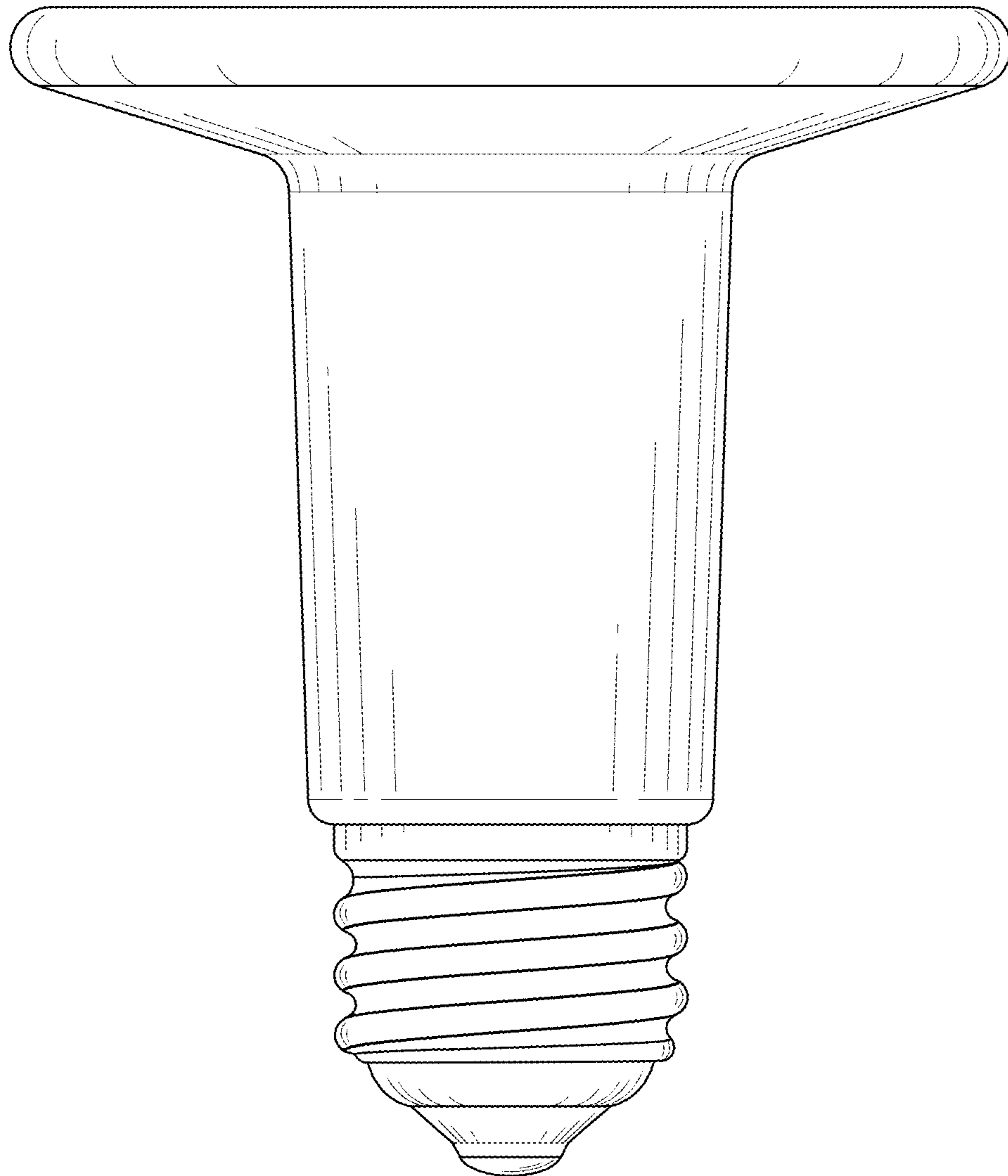


FIG. 2

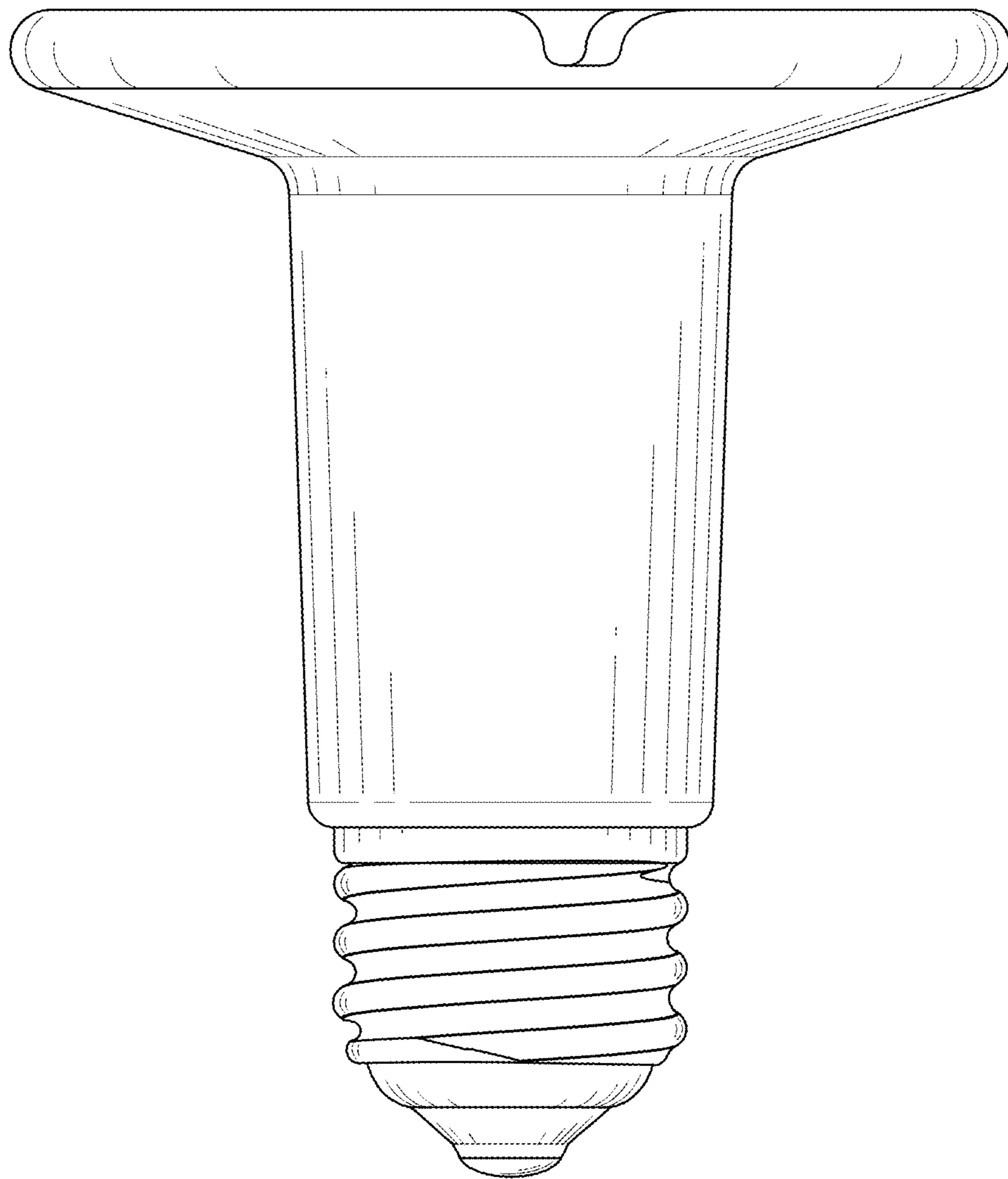


FIG. 3

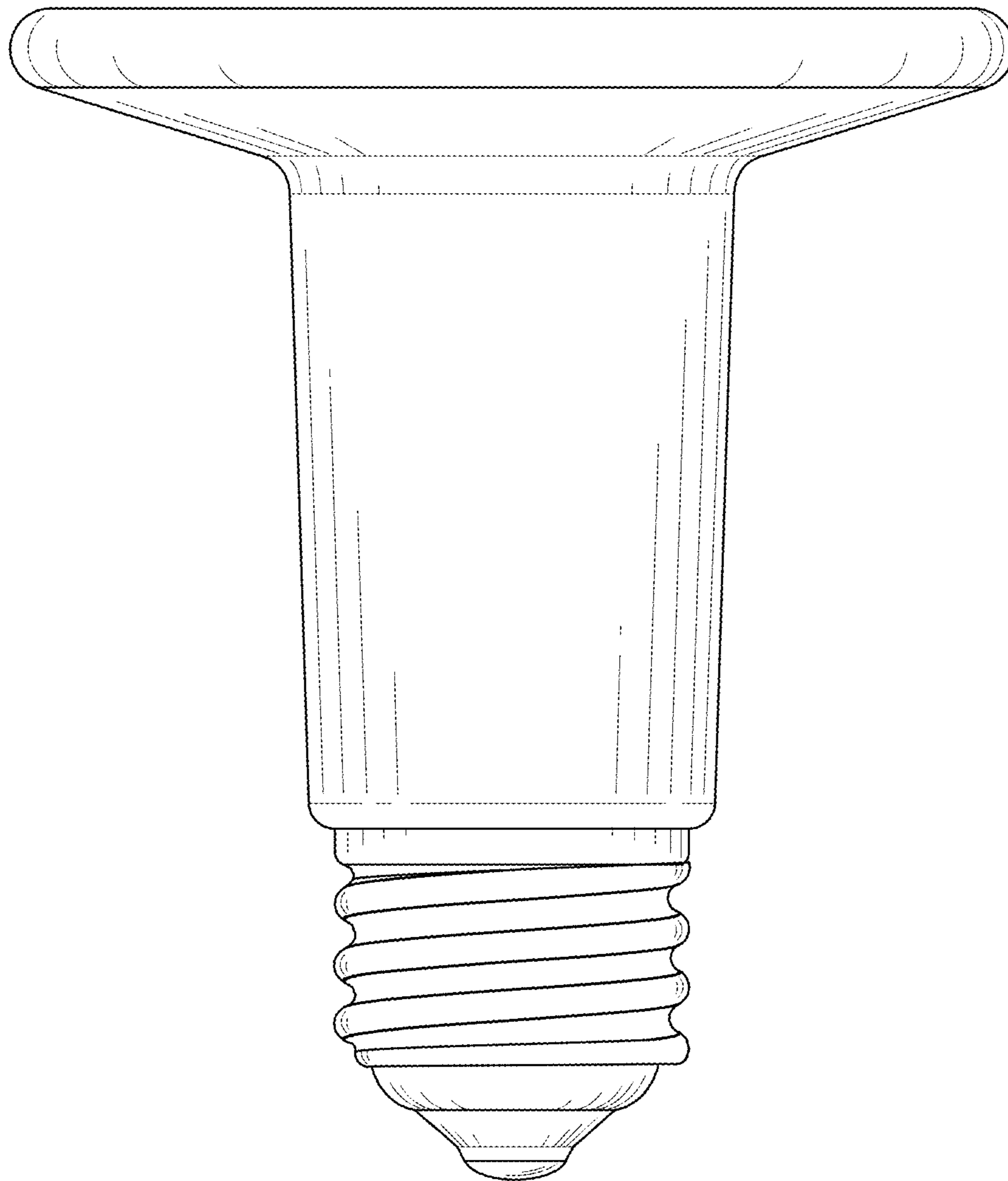


FIG. 4

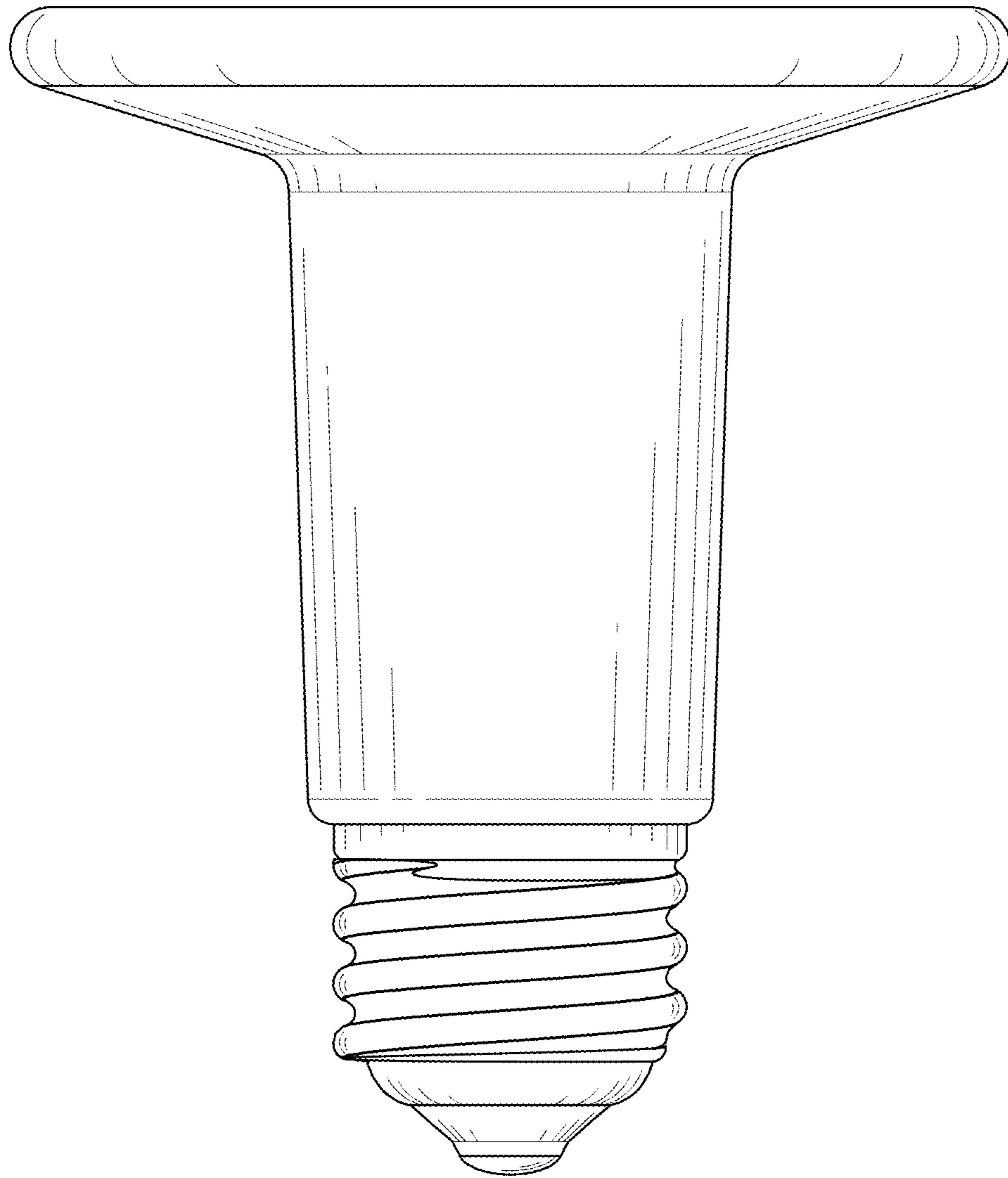


FIG. 5

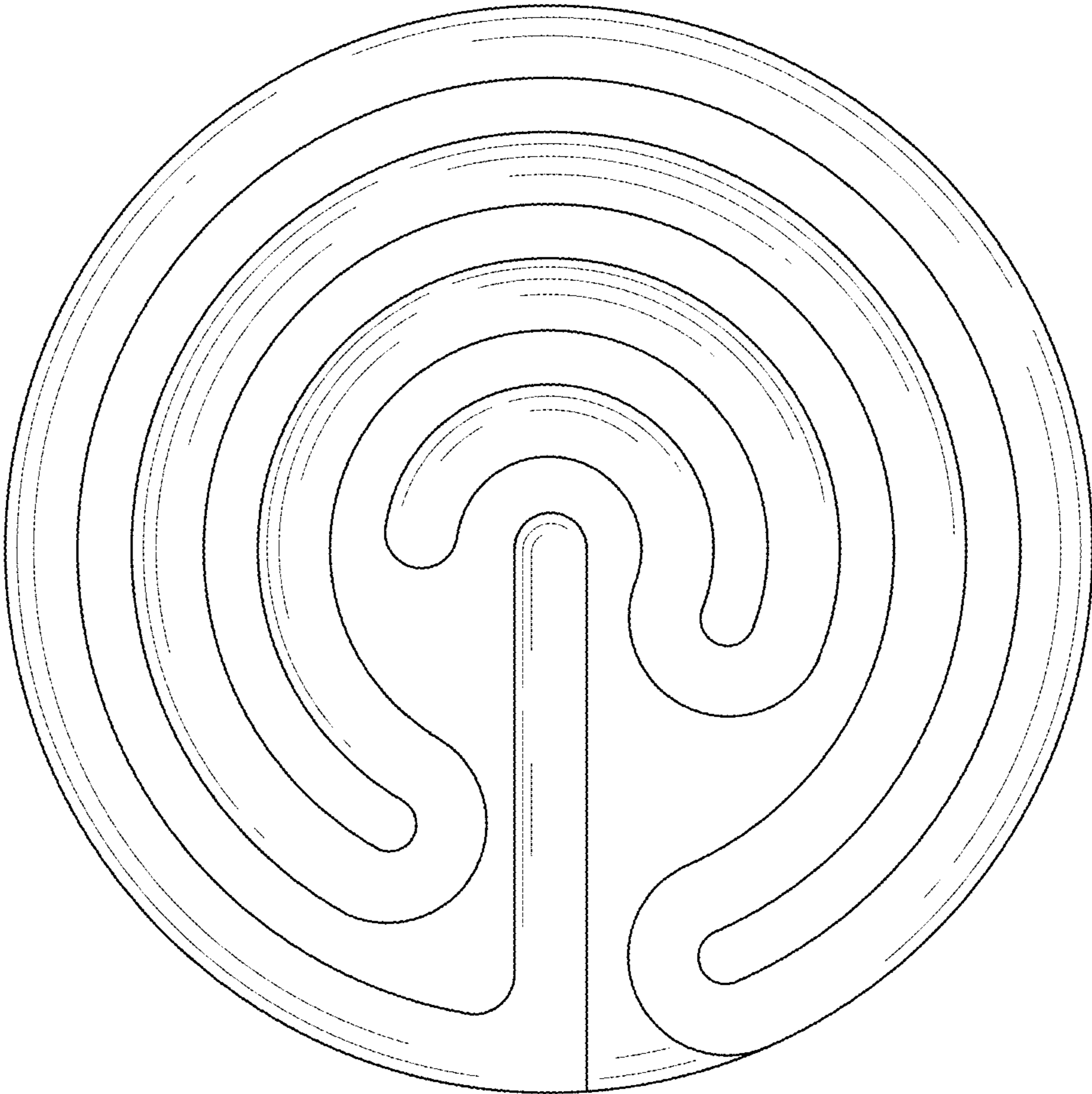


FIG. 6

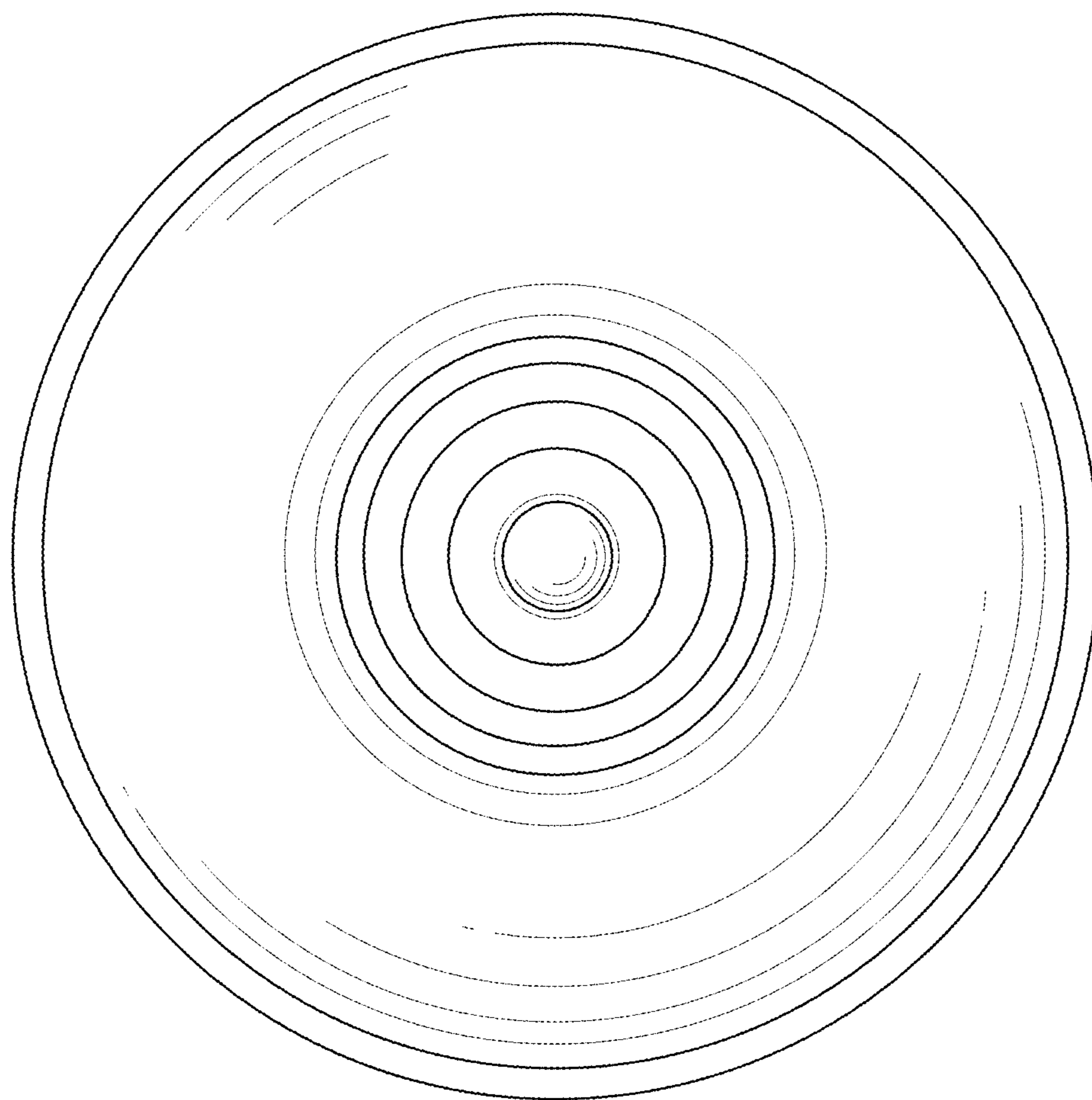


FIG. 7