

US00D946787S

(12) **United States Design Patent**  
**Fest**

(10) **Patent No.:** **US D946,787 S**

(45) **Date of Patent:** **\*\* Mar. 22, 2022**

(54) **ACOUSTIC PANEL**

(71) Applicant: **Corsair Memory, Inc.**, Fremont, CA  
(US)

(72) Inventor: **Julian Fest**, Munich (DE)

(73) Assignee: **CORSAIR MEMORY, INC.**, Fremont,  
CA (US)

(\*\*) Term: **15 Years**

(21) Appl. No.: **29/762,132**

(22) Filed: **Dec. 15, 2020**

(30) **Foreign Application Priority Data**

Jun. 26, 2020 (EM) ..... 008022842-0004

(51) **LOC (13) Cl.** ..... **25-01**

(52) **U.S. Cl.**  
USPC ..... **D25/163**

(58) **Field of Classification Search**  
USPC ..... D25/138, 157, 163; D14/330, 204, 242,  
D14/210

CPC ..... G10K 2210/113; G10K 2210/118; G10K  
2210/12; G10K 11/002; G10K 11/17861;  
E04B 2001/2481; E04B 2001/8414; E04B  
2001/8419; E04B 2001/8423; E04B  
2001/8428; E04B 1/74; E04B 1/84; E04B  
1/88; E04B 1/90; E04B 1/99; E04B  
1/994; E04B 1/82; E04B 1/8218; E04B  
1/8227; E04B 1/8236; E04B 1/8404;  
E04B 1/8409; B32B 3/12

See application file for complete search history.

(56) **References Cited**

**U.S. PATENT DOCUMENTS**

D249,367 S \* 9/1978 Reese ..... D25/163  
D288,243 S \* 2/1987 Tofani ..... D25/157

D299,872 S \* 2/1989 Jennings ..... D25/157  
D462,462 S \* 9/2002 Ogawa ..... D25/138  
D462,463 S \* 9/2002 Ogawa ..... D25/138  
D481,470 S \* 10/2003 Moller, Jr. .... D25/163  
6,983,821 B2 \* 1/2006 Putt ..... B28C 5/381  
181/288  
D579,126 S \* 10/2008 Mattingly ..... D25/138  
8,960,367 B1 \* 2/2015 Leclerc ..... G10K 11/20  
181/286  
9,322,165 B2 \* 4/2016 Luhtala ..... E04B 1/84  
D867,622 S \* 11/2019 Li ..... D25/138  
2017/0217126 A1 \* 8/2017 Wu ..... B32B 3/08  
2018/0051462 A1 \* 2/2018 Hakuta ..... E04B 1/86  
2019/0024589 A1 \* 1/2019 Bowen ..... F02C 7/24

**FOREIGN PATENT DOCUMENTS**

CA 2999458 A1 \* 11/2018 ..... E04B 1/94  
WO WO-2018034949 A1 \* 2/2018 ..... E04B 1/86

\* cited by examiner

*Primary Examiner* — Doris Clark

(74) *Attorney, Agent, or Firm* — Harness, Dickey &  
Pierce, P.L.C.

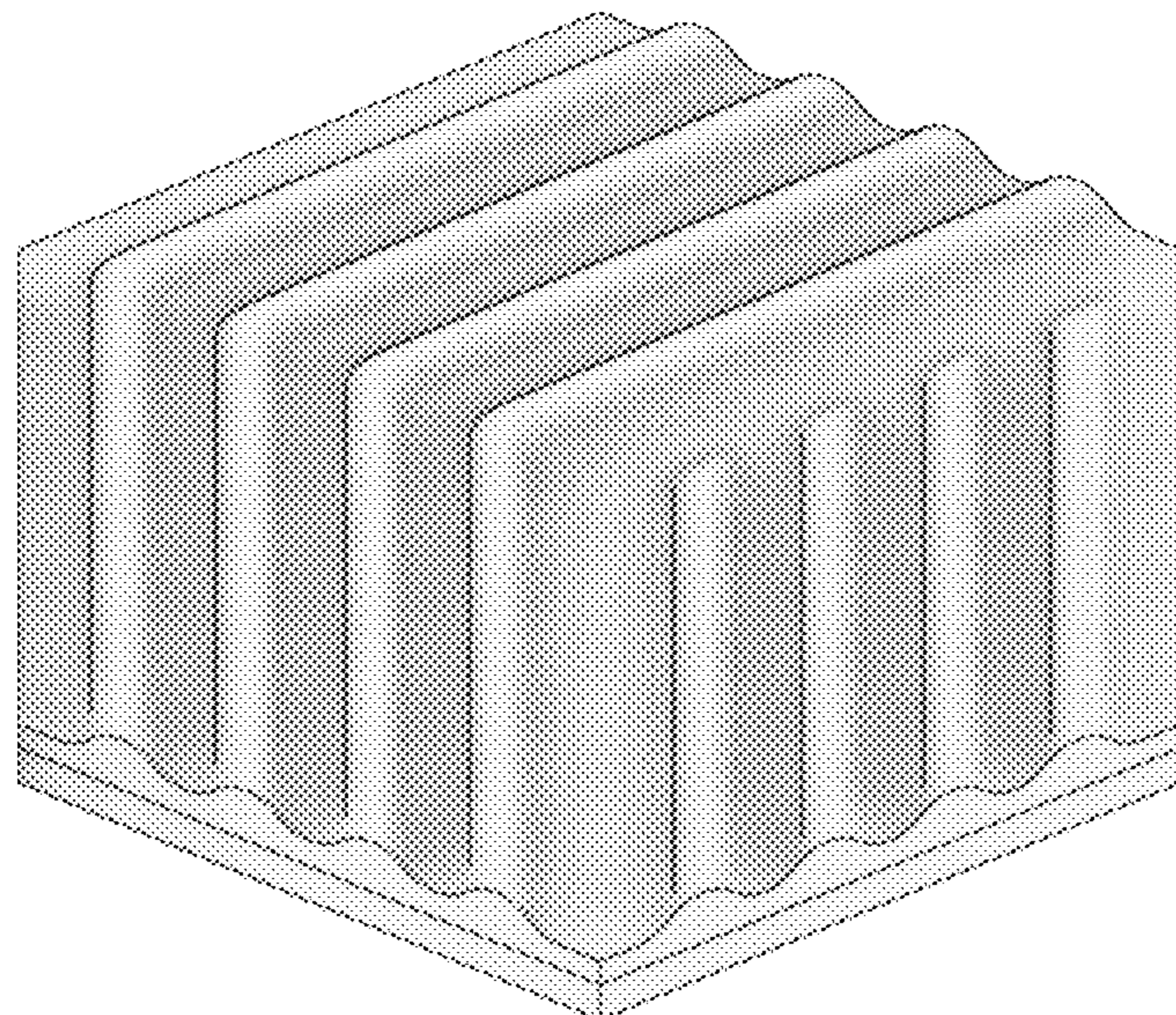
(57) **CLAIM**

The new ornamental design for an acoustic panel, as shown  
and described.

**DESCRIPTION**

FIG. 1 is a perspective view of the acoustic panel, showing  
my new design; and,  
FIG. 2 is a front view of the acoustic panel as shown in FIG.  
1.

**1 Claim, 2 Drawing Sheets**





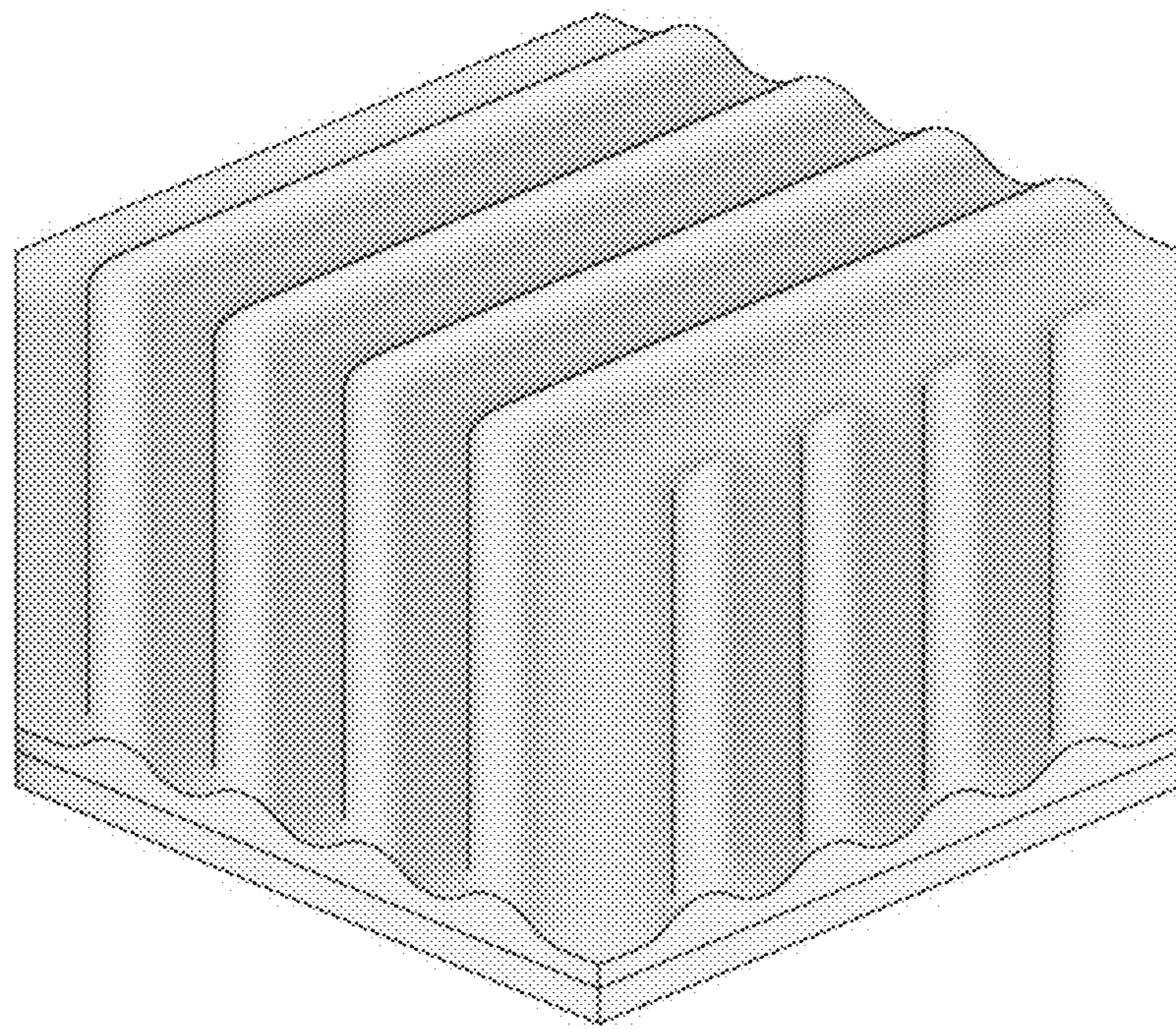


FIG. 1

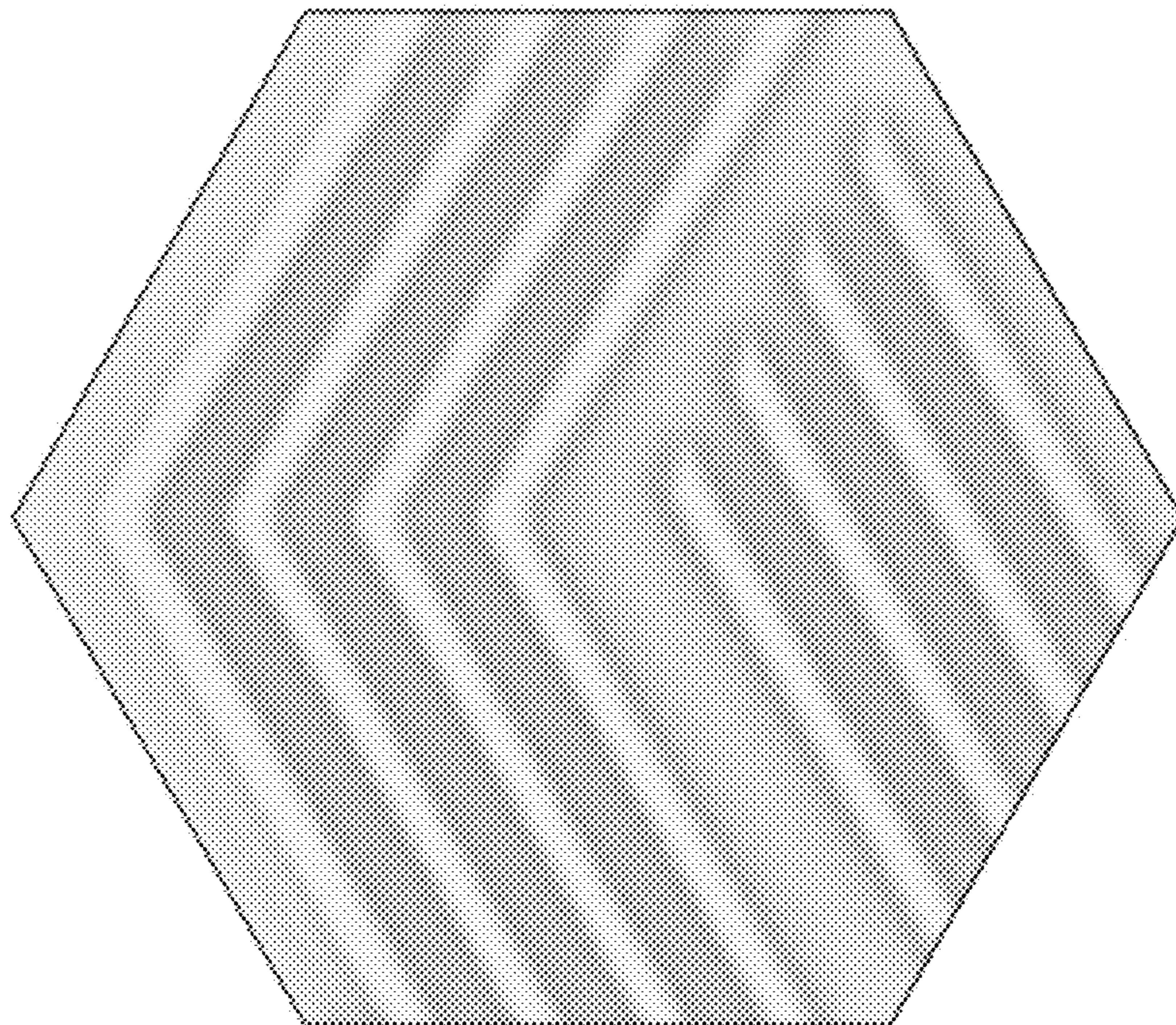


FIG. 2