



US00D946786S

(12) **United States Design Patent**  
**Markiewicz**

(10) **Patent No.:** **US D946,786 S**

(45) **Date of Patent:** **\*\* Mar. 22, 2022**

(54) **METAL ROOF C-TILE PANEL**

(71) Applicant: **Krzysztof Markiewicz**, Schaumburg,  
IL (US)

(72) Inventor: **Krzysztof Markiewicz**, Schaumburg,  
IL (US)

(\*\*) Term: **15 Years**

(21) Appl. No.: **29/758,045**

(22) Filed: **Nov. 11, 2020**

(51) **LOC (13) Cl.** ..... **25-01**

(52) **U.S. Cl.**  
USPC ..... **D25/143**

(58) **Field of Classification Search**  
USPC ..... D25/140, 141, 143  
CPC .... E04D 1/14; E04D 1/18; E04D 1/24; E04D  
1/26; E04D 1/265; E04D 3/30; E04B  
2103/06  
See application file for complete search history.

(56) **References Cited**

**U.S. PATENT DOCUMENTS**

4,178,731	A *	12/1979	Petersson	.....	E04D 1/29	52/520
4,932,184	A *	6/1990	Waller	.....	E04D 3/24	52/535
5,060,444	A *	10/1991	Paquette	.....	E04D 1/265	52/535
D374,095	S *	9/1996	Ing	.....	D25/140	
5,752,355	A *	5/1998	Sahramaa	.....	E04D 1/18	52/539

D629,532	S *	12/2010	Cornett	.....	D25/140	
D685,112	S *	6/2013	Henriquez	.....	D25/143	
D748,290	S *	1/2016	Khaychenko	.....	D25/141	
D908,927	S *	1/2021	Vaillant	.....	D25/143	
2005/0102930	A1 *	5/2005	Saarenko	.....	E04D 1/265	52/198

\* cited by examiner

*Primary Examiner* — Doris Clark

(74) *Attorney, Agent, or Firm* — Steven Ivy P.C.

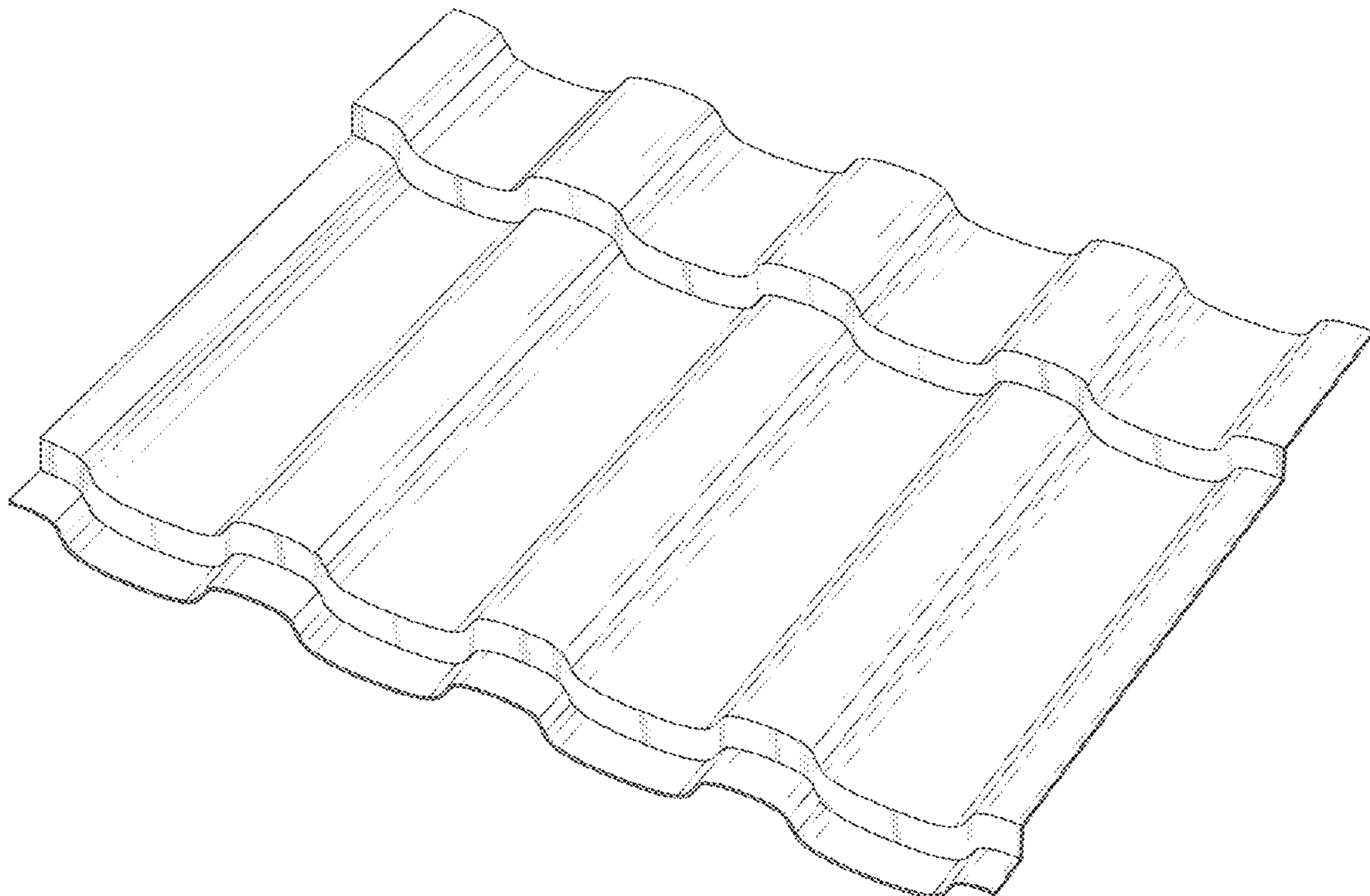
(57) **CLAIM**

The ornamental design for a metal roof C-tile panel, as shown and described.

**DESCRIPTION**

FIG. 1 is a front perspective view illustrating my design for the metal roof C-tile panel;  
 FIG. 2 is a top view illustrating my design for the metal roof C-tile panel;  
 FIG. 3 is a right side view illustrating my design for the metal roof C-tile panel;  
 FIG. 4 is a left side view illustrating my design for the metal roof C-tile panel;  
 FIG. 5 is a bottom view illustrating my design for the metal roof C-tile panel;  
 FIG. 6 is a front view illustrating my design for the metal roof C-tile panel; and,  
 FIG. 7 is a rear view illustrating my design for the metal roof C-tile panel.

**1 Claim, 7 Drawing Sheets**



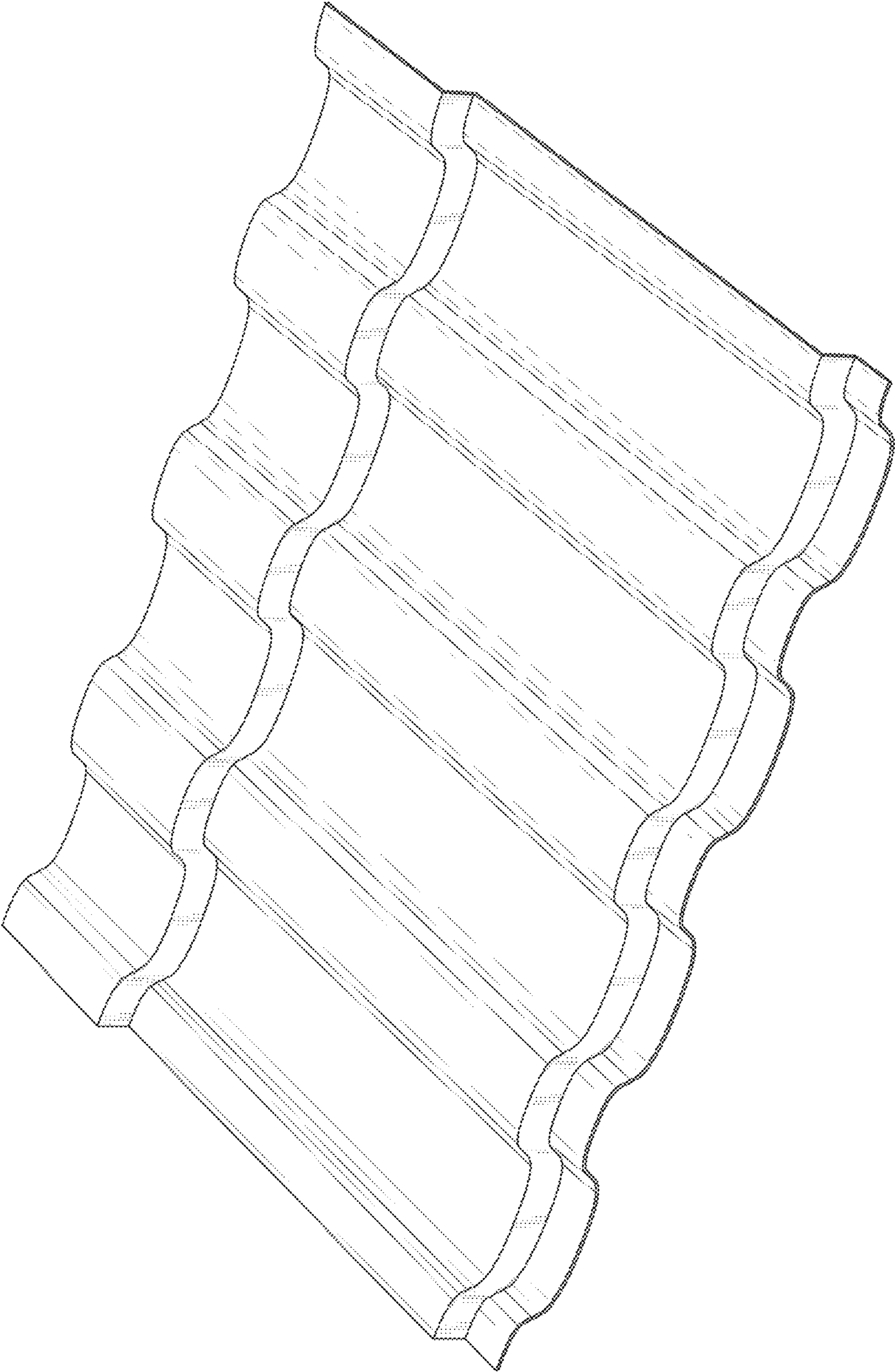


FIG. 1

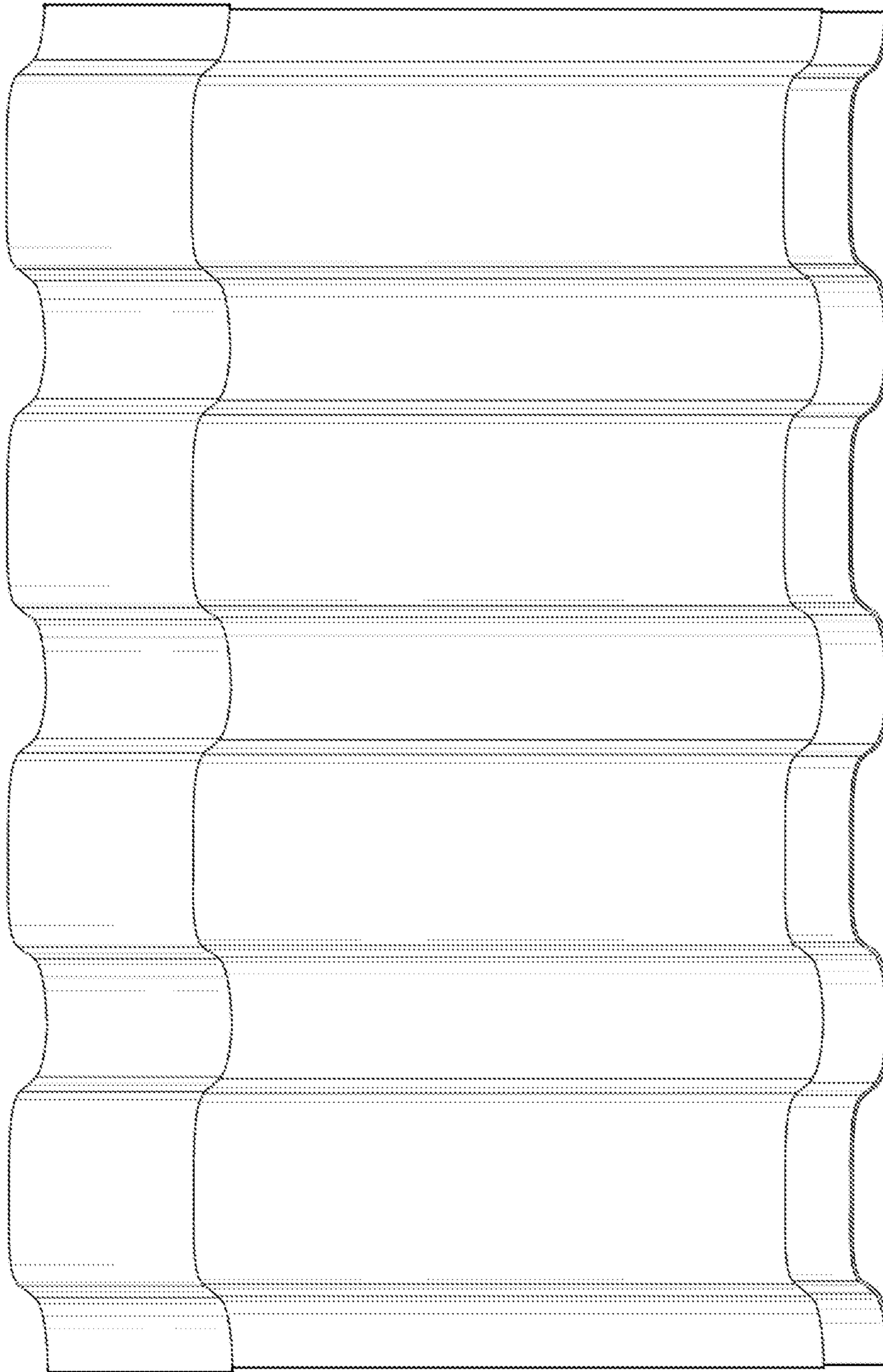


FIG. 2

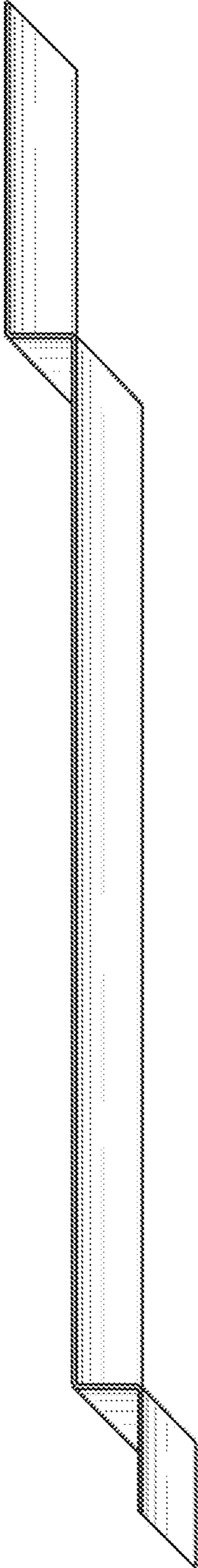


FIG. 3

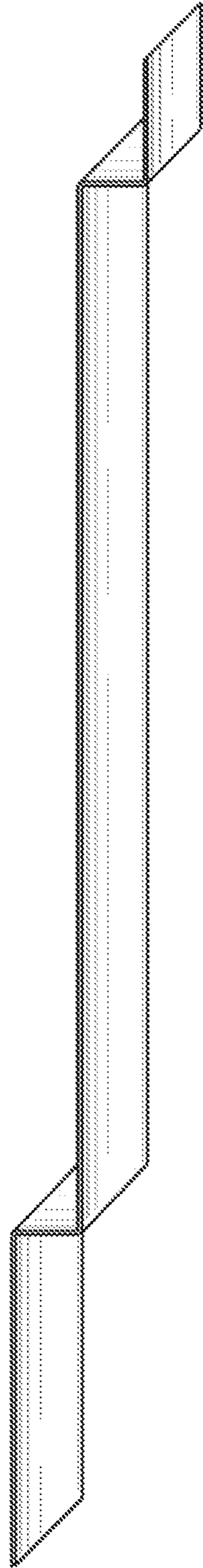


FIG. 4

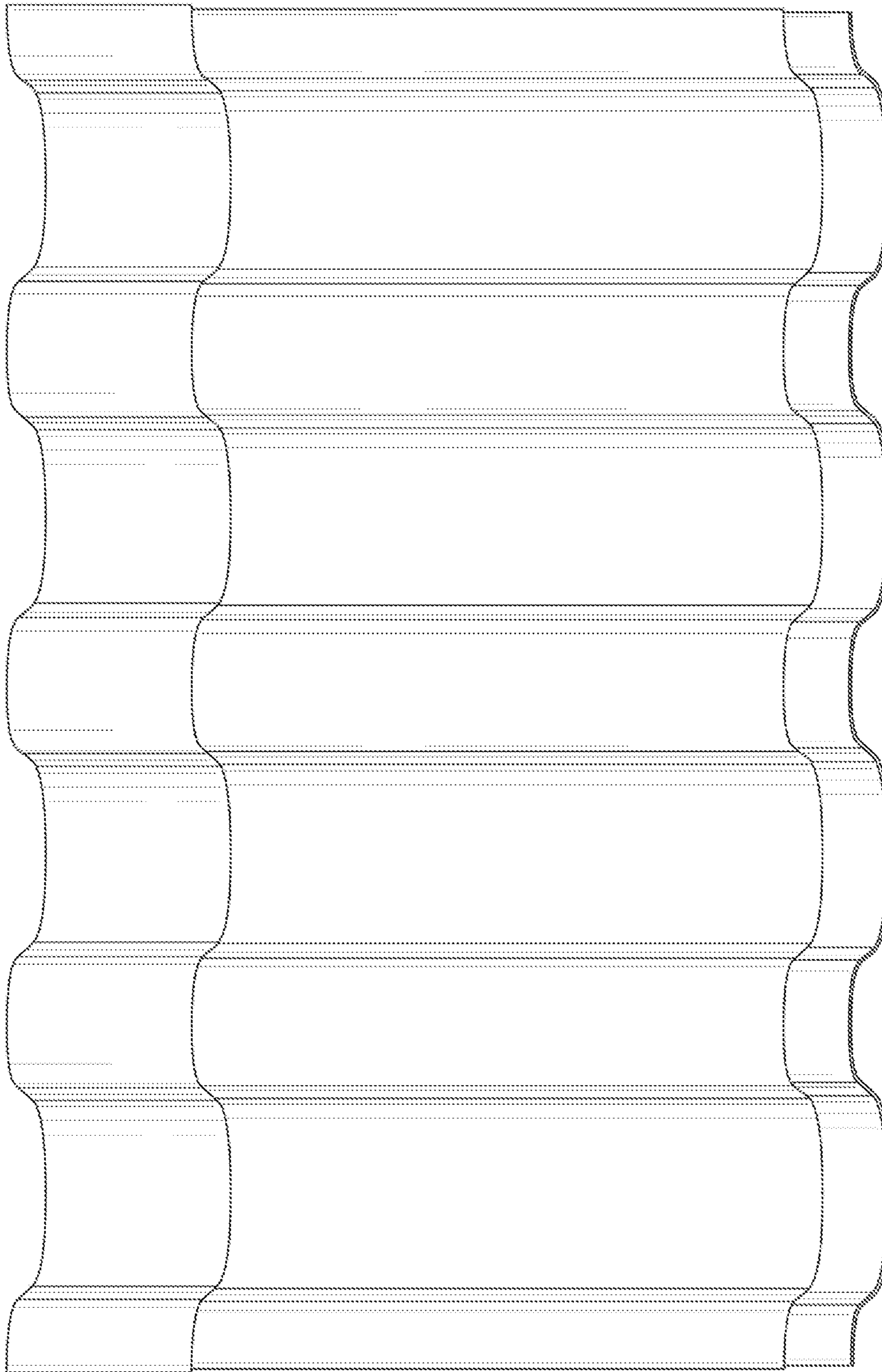


FIG. 5

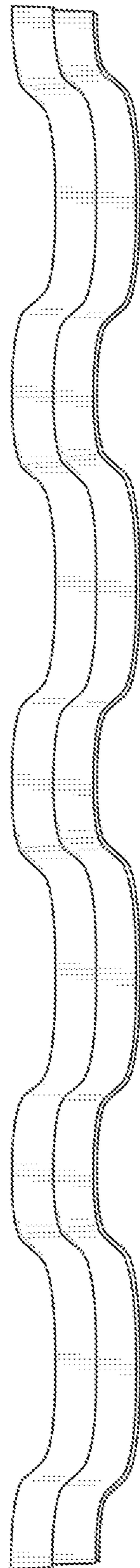


FIG. 6

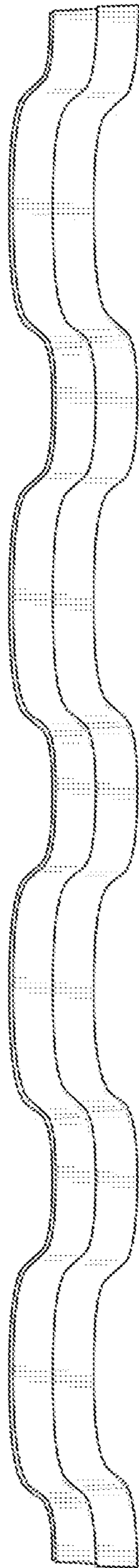


FIG. 7