



US00D946785S

(12) **United States Design Patent**
Griffith et al.

(10) **Patent No.:** **US D946,785 S**

(45) **Date of Patent:** **** Mar. 22, 2022**

(54) **STRUCTURAL GAP FILLER**

(71) Applicant: **Bohning Company, Ltd.**, Lake City, MI (US)

(72) Inventors: **Larry R. Griffith**, Lake City, MI (US);
Scott M. Billsby, Cadillac, MI (US)

(73) Assignee: **Bohning Company, Ltd.**, Lake City, MI (US)

(**) Term: **15 Years**

(21) Appl. No.: **29/737,942**

(22) Filed: **Jun. 12, 2020**

(51) **LOC (13) Cl.** **25-01**

(52) **U.S. Cl.**
USPC **D25/119**

(58) **Field of Classification Search**
USPC D25/119-125; D23/259, 261-262, 267,
D23/393; 52/287.1, 312, 478, 542, 656.9,
52/716.8, 718.01
CPC E04H 4/141; E04H 4/14; E04F 19/049
See application file for complete search history.

(56) **References Cited**

U.S. PATENT DOCUMENTS

7,240,905 B1 7/2007 Stahl, Sr.
D573,267 S * 7/2008 Brinton D25/119

D573,268 S * 7/2008 Lundsgaard D25/119
8,375,666 B2 2/2013 Stahl, Jr. et al.
8,671,632 B2 3/2014 Pilz et al.
D769,461 S * 10/2016 Mumford, Sr. D25/119
D774,213 S * 12/2016 Baldoni D25/119
10,246,871 B2 4/2019 Pilz
D855,702 S * 8/2019 Garfinkle D20/43

* cited by examiner

Primary Examiner — Gino Colan

(74) *Attorney, Agent, or Firm* — Warner Norcross + Judd LLP

(57) **CLAIM**

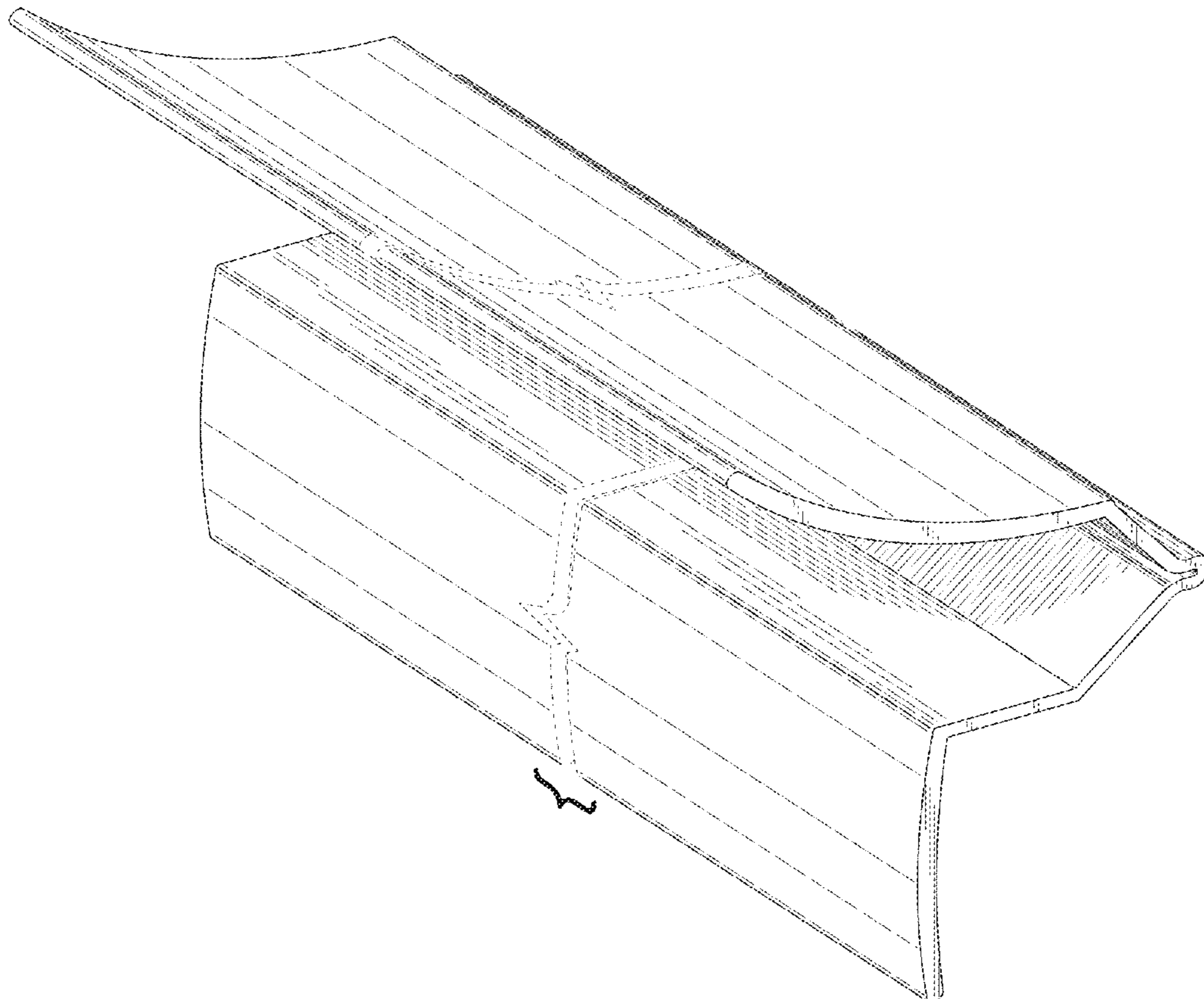
The ornamental design for a structural gap filler, as shown and described.

DESCRIPTION

FIG. 1 is a front perspective view of the structural gap filler; FIG. 2 is a right side view thereof, the left side view being a mirror image thereof; FIG. 3 is a top view thereof; FIG. 4 is a bottom view thereof; FIG. 5 is a front view thereof; and, FIG. 6 is a rear view thereof.

The structural gap filler is shown with symbolic breaks in its length. The appearance of any portion of the article between the break lines forms no part of the claimed design.

1 Claim, 6 Drawing Sheets



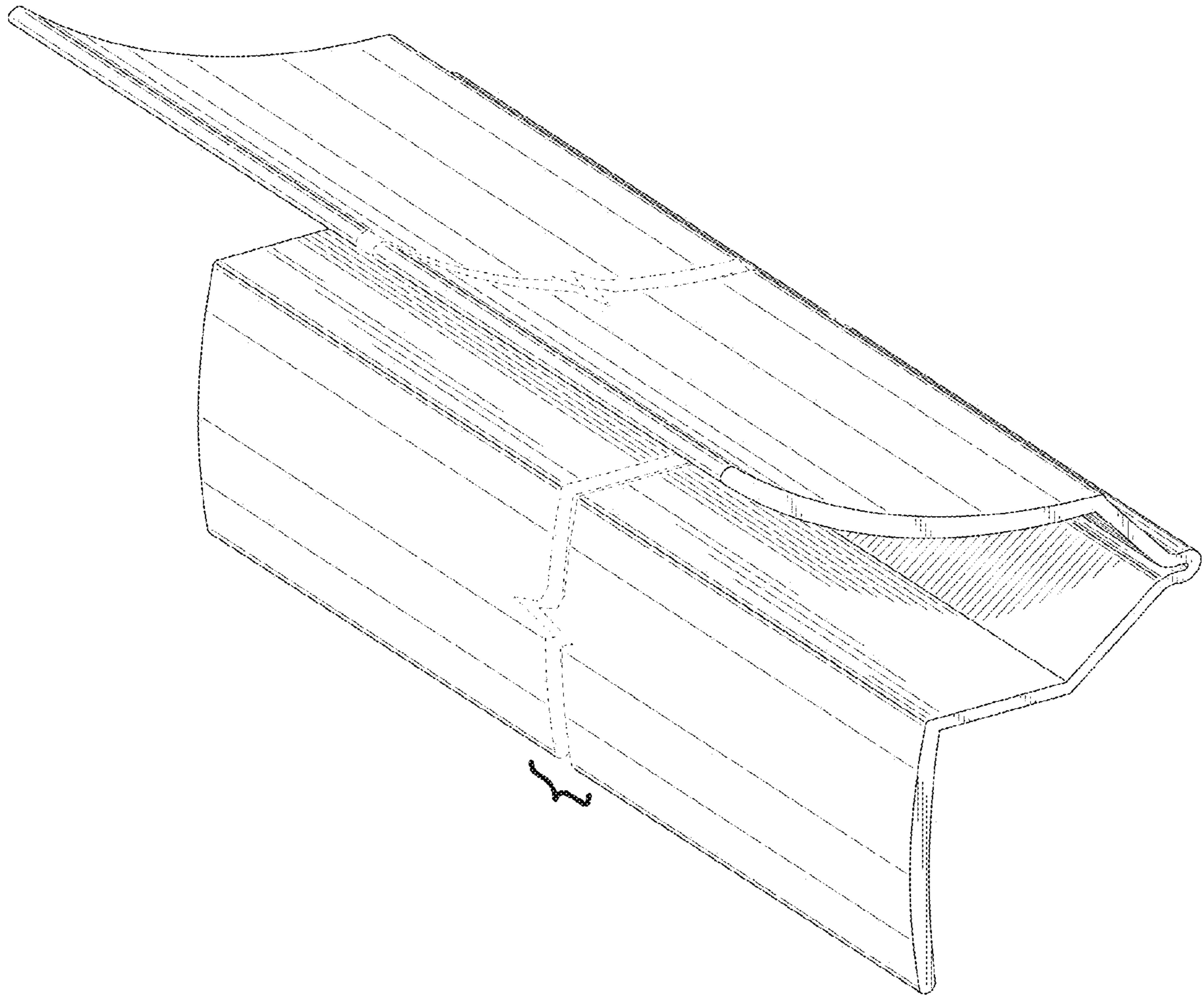


Fig. 1

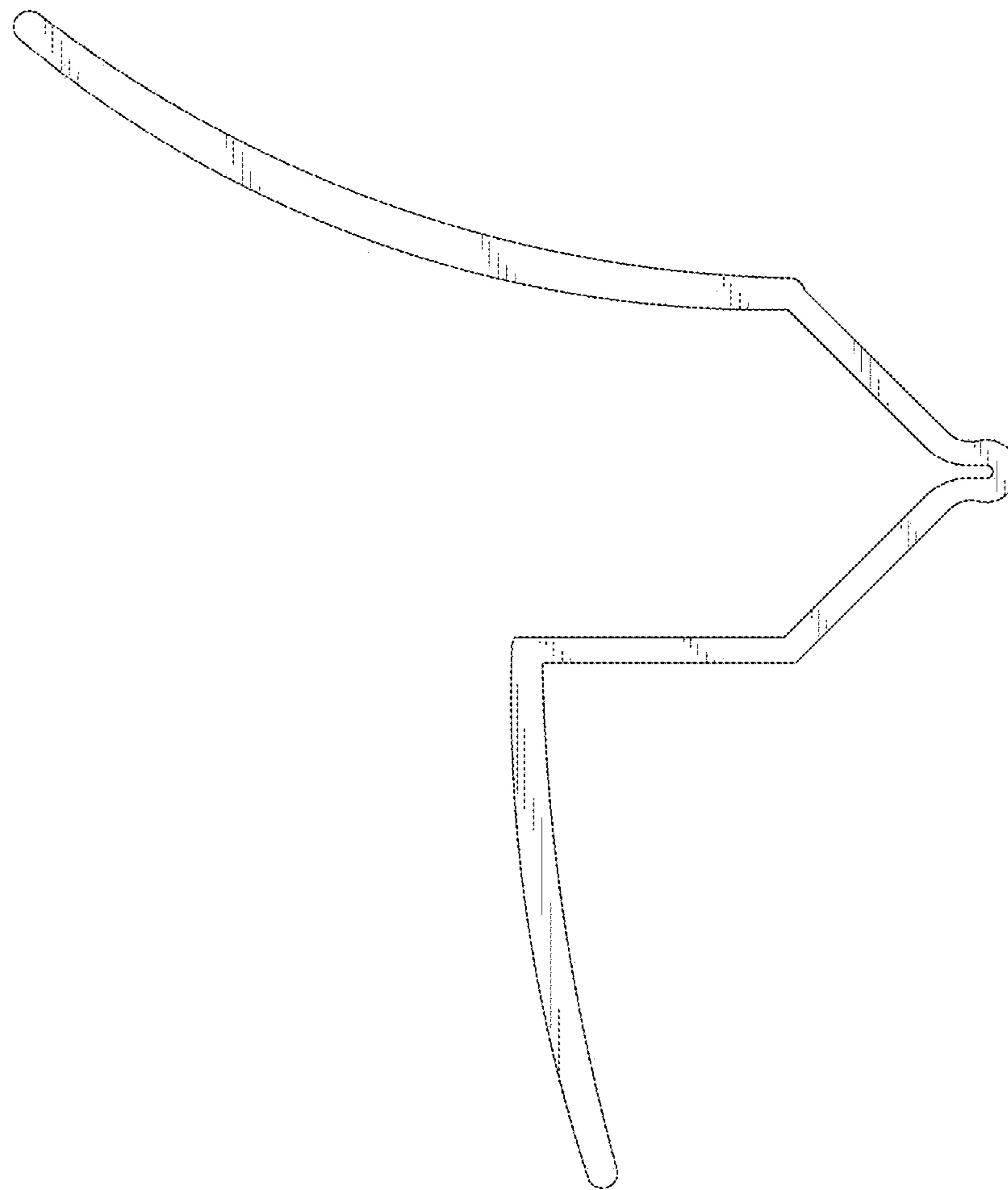


Fig. 2

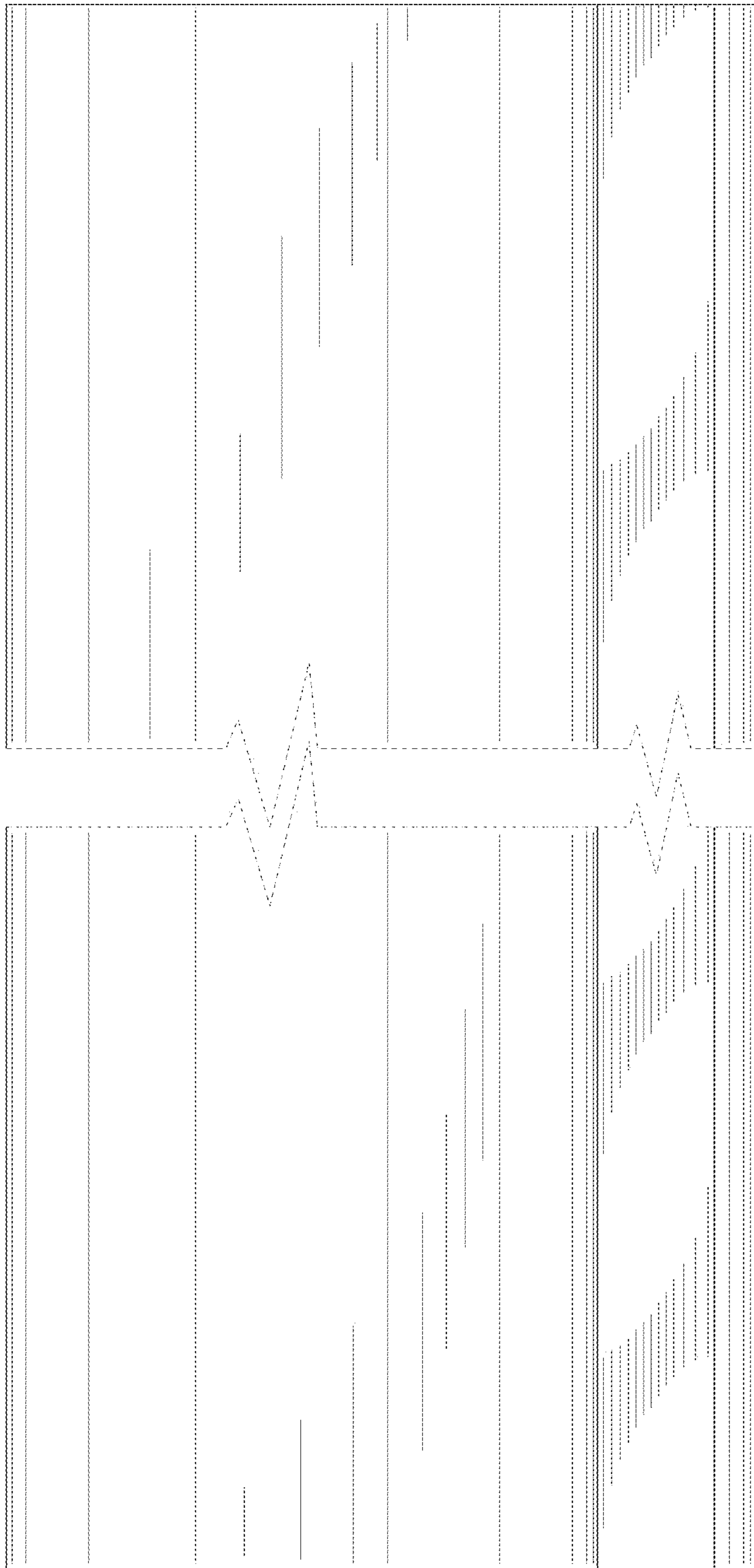


Fig. 3

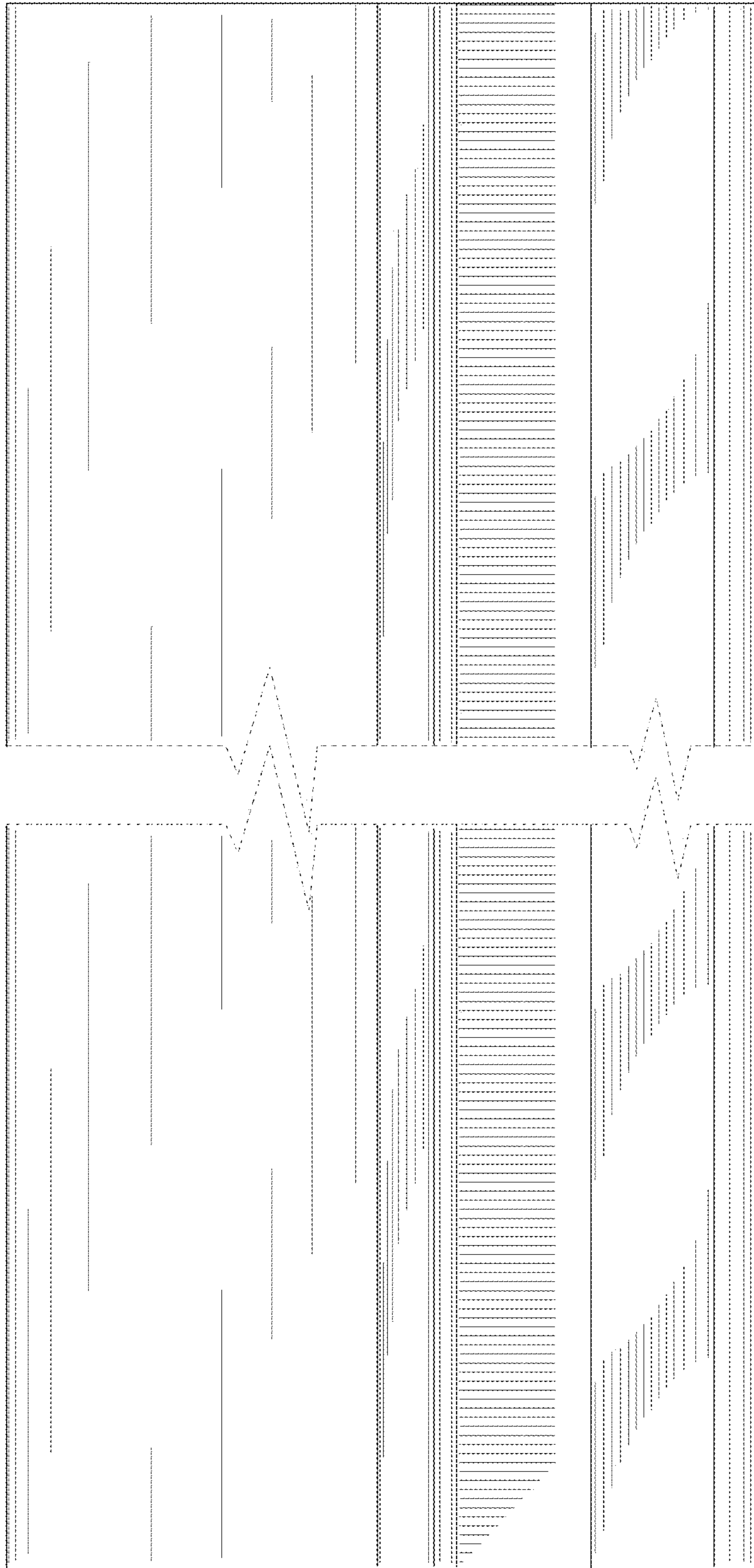


Fig. 4

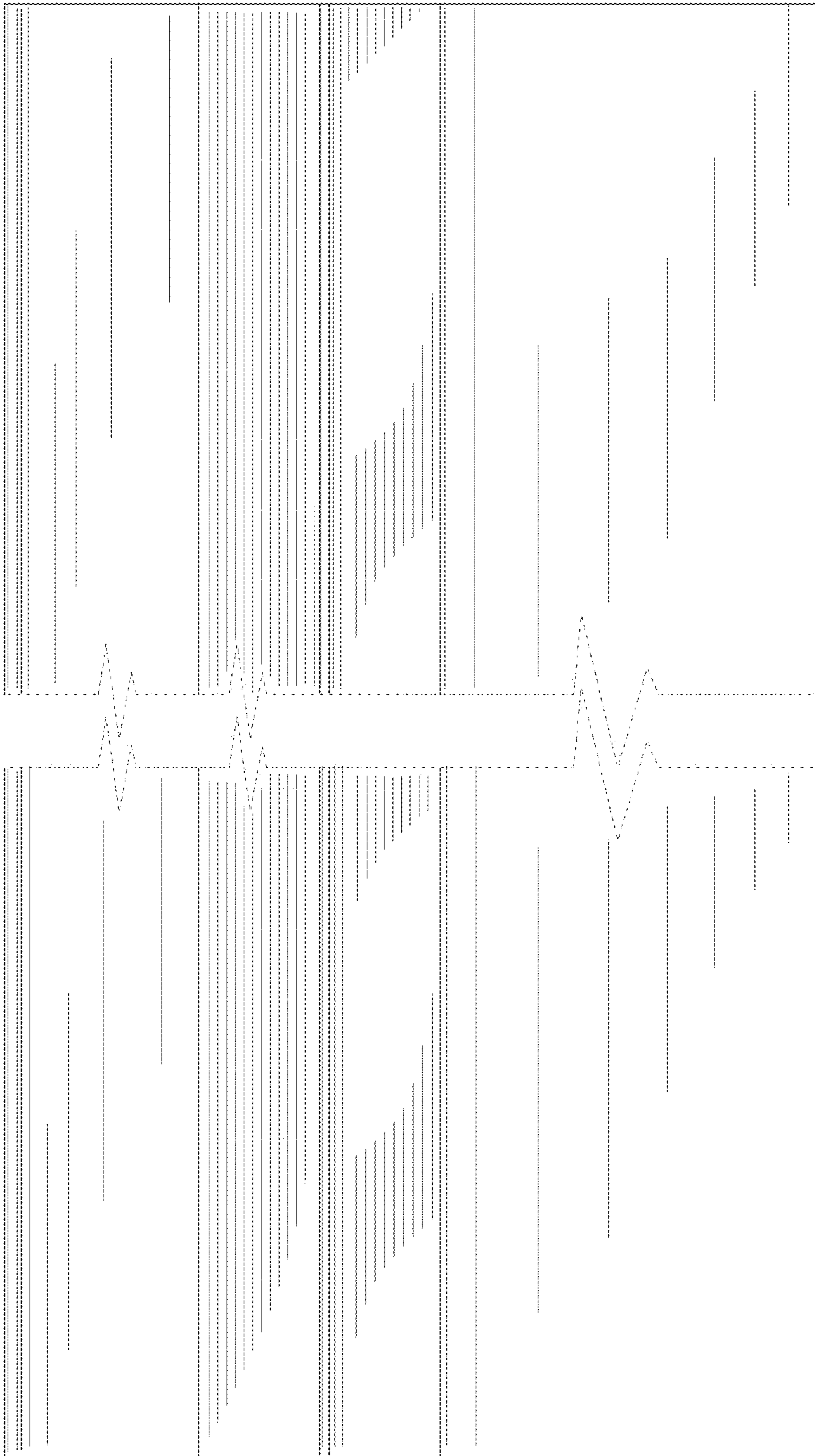


Fig. 5

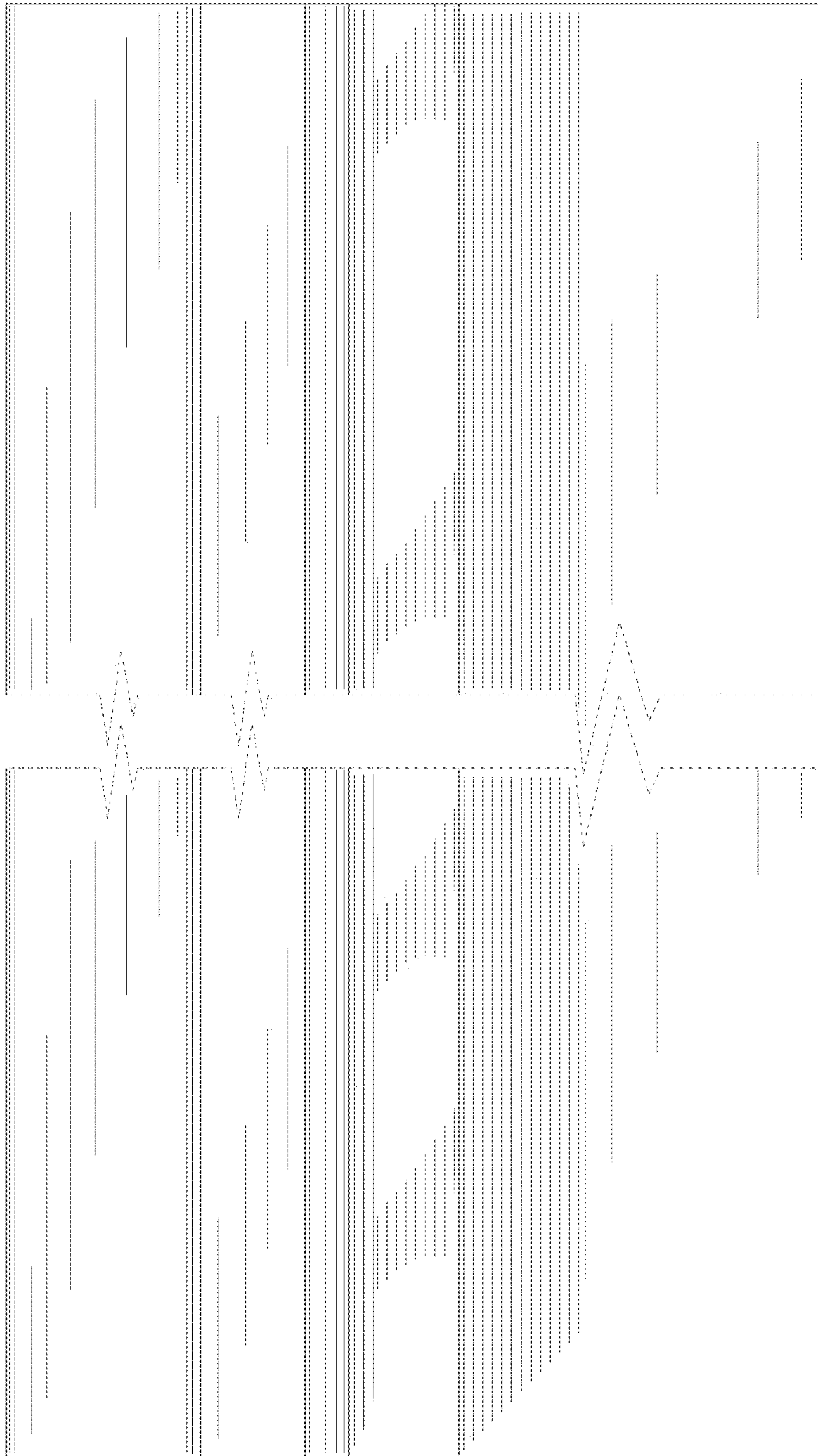


Fig. 6