



US00D946779S

(12) **United States Design Patent**
Ren

(10) **Patent No.:** **US D946,779 S**
(45) **Date of Patent:** **** Mar. 22, 2022**

(54) **PERCUSSIVE MASSAGE DEVICE**
(71) Applicant: **XIAMEN XIN AOLI ELECTRICAL APPLIANCE CO., LTD.**, Xiamen (CN)

6,682,496 B1 * 1/2004 Pivaroff A61H 7/005
601/101
D606,247 S * 12/2009 Yu D28/13
D609,817 S * 2/2010 Piller D24/215
D783,786 S * 4/2017 Madireddi D23/266
D843,656 S * 3/2019 Zhang D28/44.1

(72) Inventor: **Yang-Jie Ren**, Xiamen (CN)

OTHER PUBLICATIONS

(**) Term: **15 Years**

Massage Devices. (Design—© Questel) orbit.com. [Online PDF compilation of references selected by examiner] 12 pgs. Print Dates Range Apr. 18, 2019-Dec. 24, 2019 [Retrieved Jun. 4, 2021] <https://www.orbit.com/export/UCZAH96B/pdf4/06b36707-ee47-4325-b9af-f6ce9959205c-154509.pdf> (Year: 2021).*

(21) Appl. No.: **29/731,175**

(22) Filed: **Apr. 13, 2020**

* cited by examiner

(30) **Foreign Application Priority Data**

Dec. 24, 2019 (CN) 201930724698.5

Primary Examiner — Susan Bennett Hattan
Assistant Examiner — Landon Thomas Cassell

(51) **LOC (13) Cl.** **28-03**

(52) **U.S. Cl.**
USPC **D24/215**

(57) **CLAIM**

(58) **Field of Classification Search**

The ornamental design for a percussive massage device, as shown and described.

USPC D24/215, 200, 211, 212, 213, 214, 133, D24/188, 107, 231; D8/14.1; D28/13
CPC . A61H 1/00; A61H 1/008; A61H 9/00; A61H 9/005; A61H 9/0007; A61H 9/0021; A61H 2015/0071; A61H 15/0078; A61H 15/0085; A61H 23/00; A61H 23/006; A61H 2023/002; A61H 23/06; A61H 23/02; A61H 2201/0153; A61H 2201/0157; A61H 7/005; A61H 7/003

DESCRIPTION

See application file for complete search history.

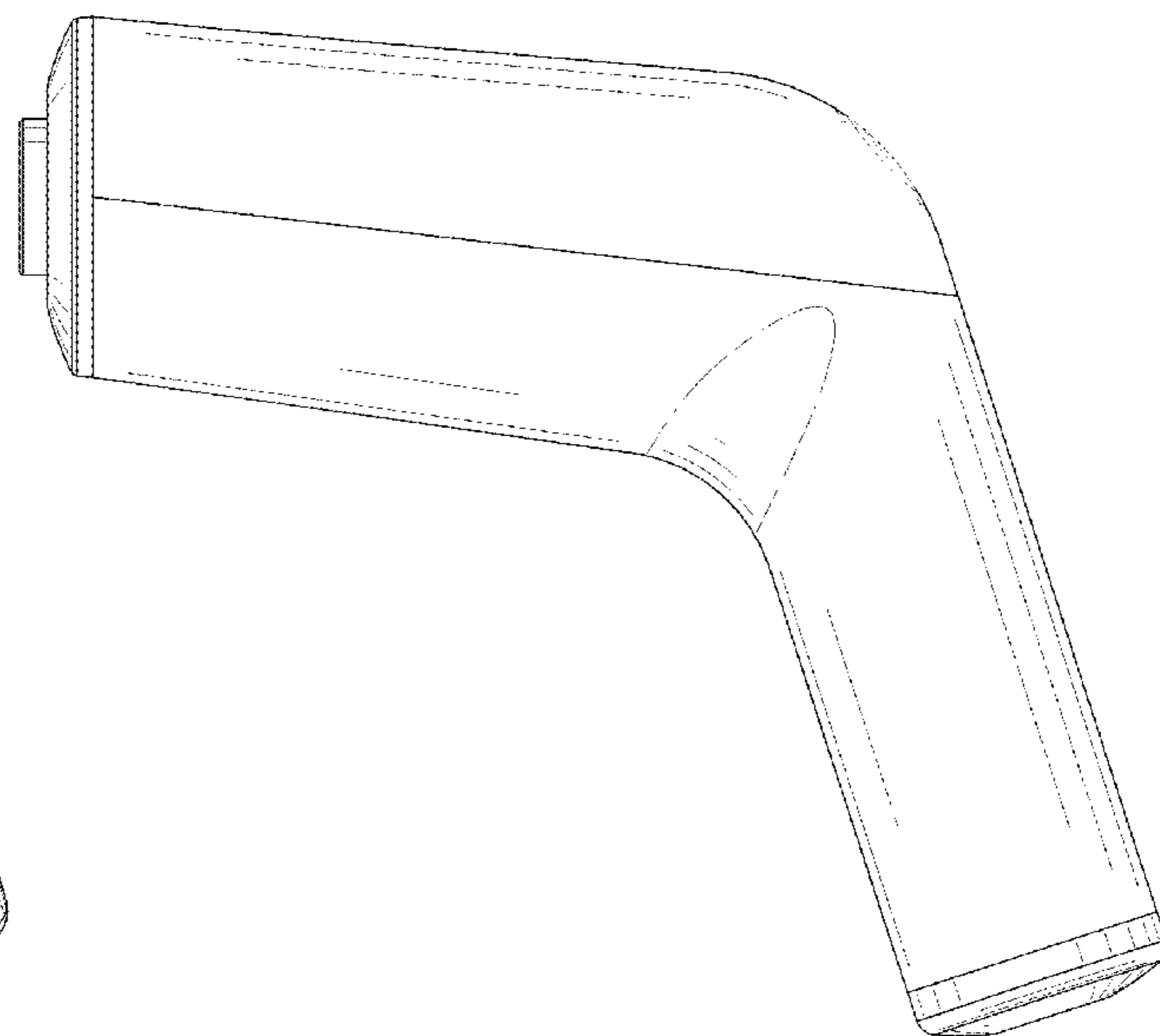
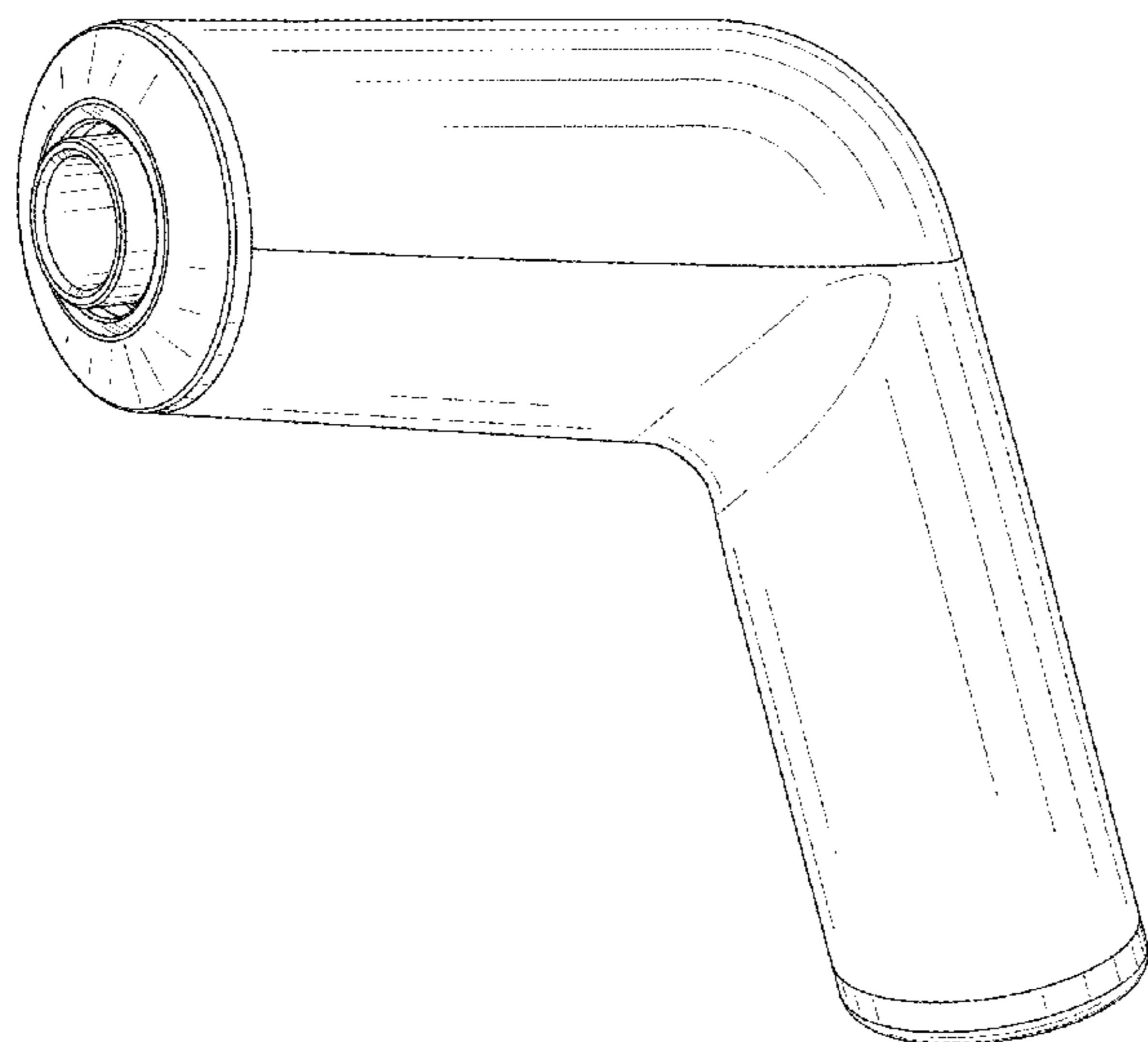
FIG. 1 is a front, right side perspective view of a percussive massage device showing my present design;
FIG. 2 is a rear, right side perspective view thereof;
FIG. 3 is a front view thereof;
FIG. 4 is a rear view thereof;
FIG. 5 is a left view thereof;
FIG. 6 is a right view thereof;
FIG. 7 is a top view thereof; and,
FIG. 8 is bottom view thereof.
The broken lines in the drawings illustrate portions of the percussive massage device which form no part of the claimed design.

(56) **References Cited**

U.S. PATENT DOCUMENTS

D28,572 S * 5/1898 Rose D23/263
D434,478 S * 11/2000 Sanders D23/266

1 Claim, 8 Drawing Sheets



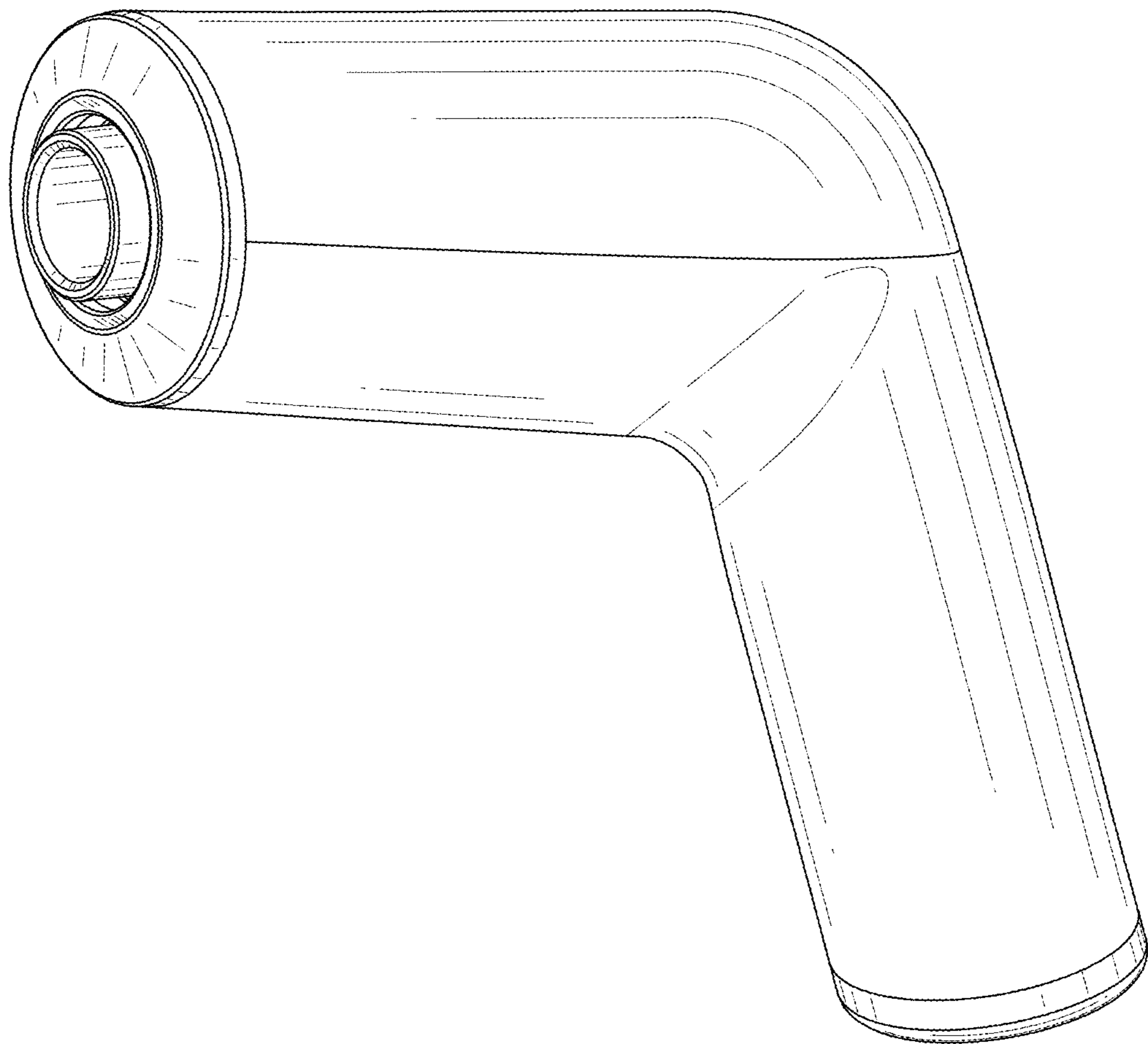


FIG.1

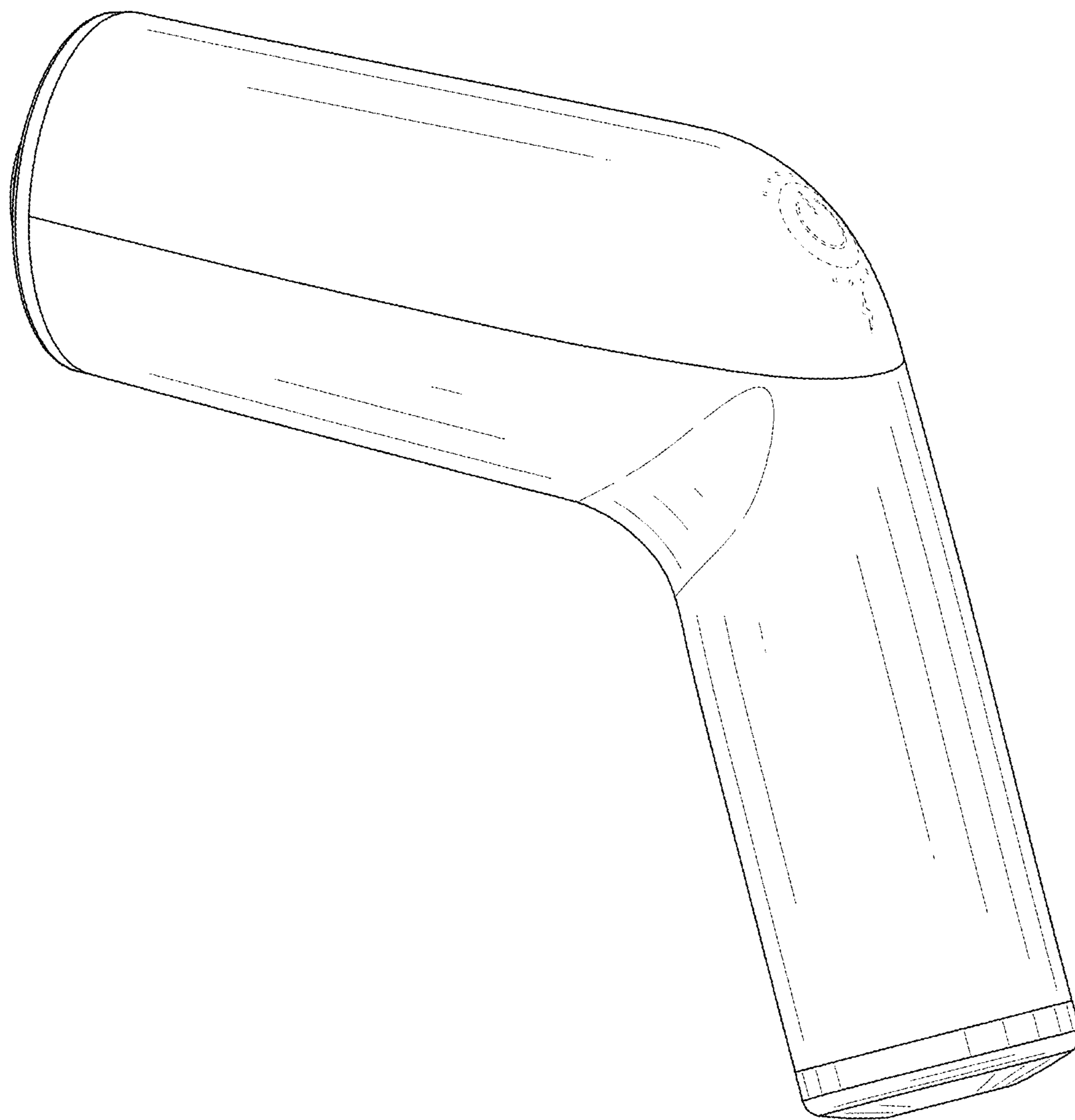


FIG.2

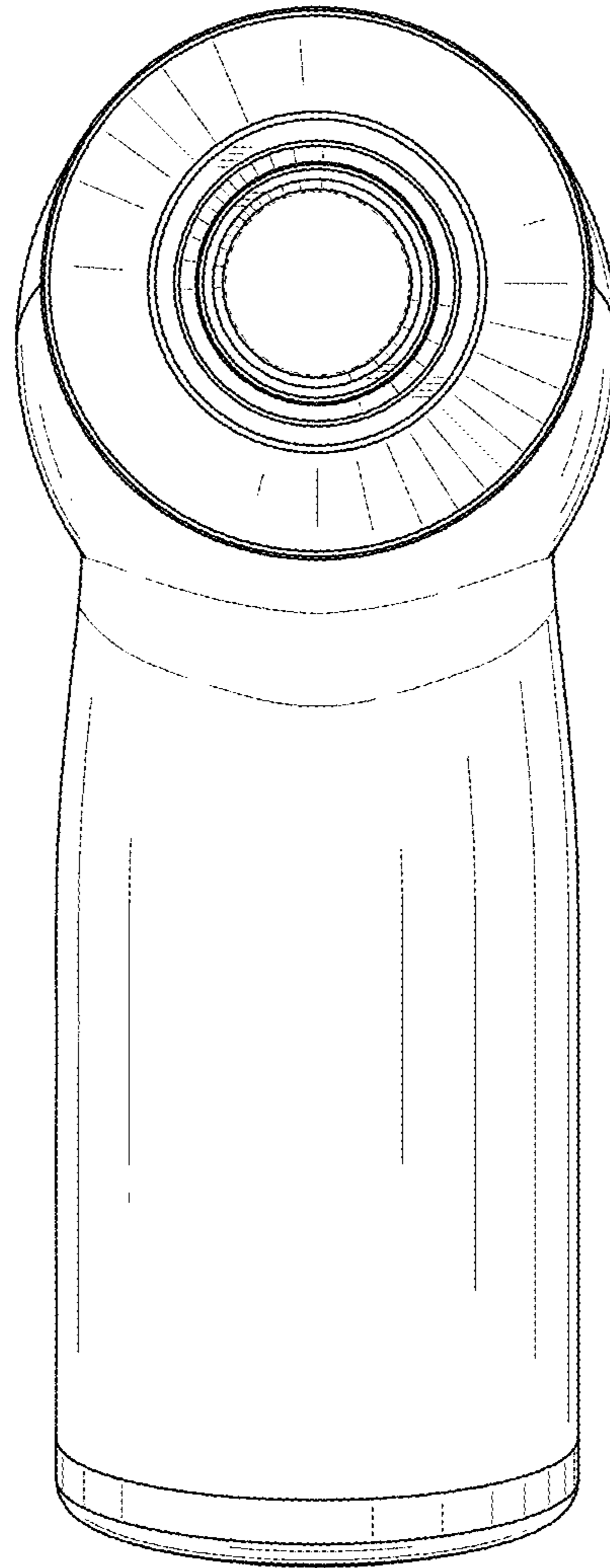


FIG.3

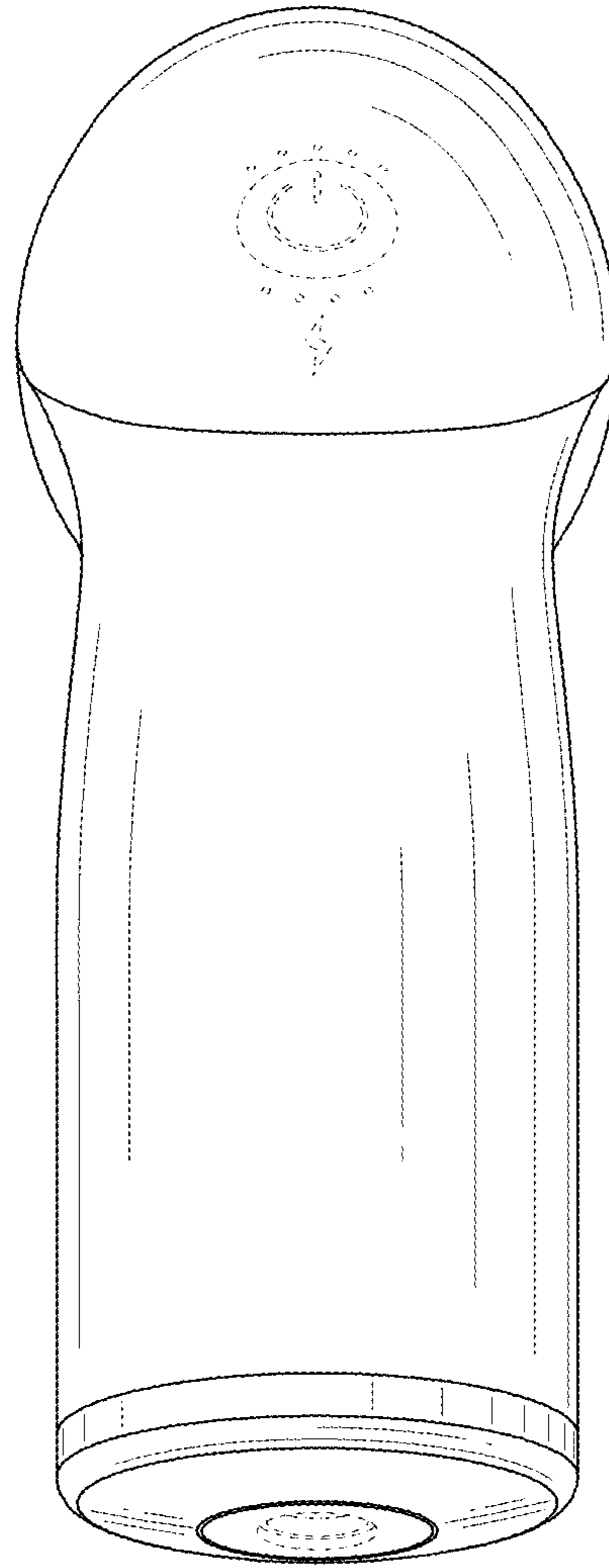


FIG. 4

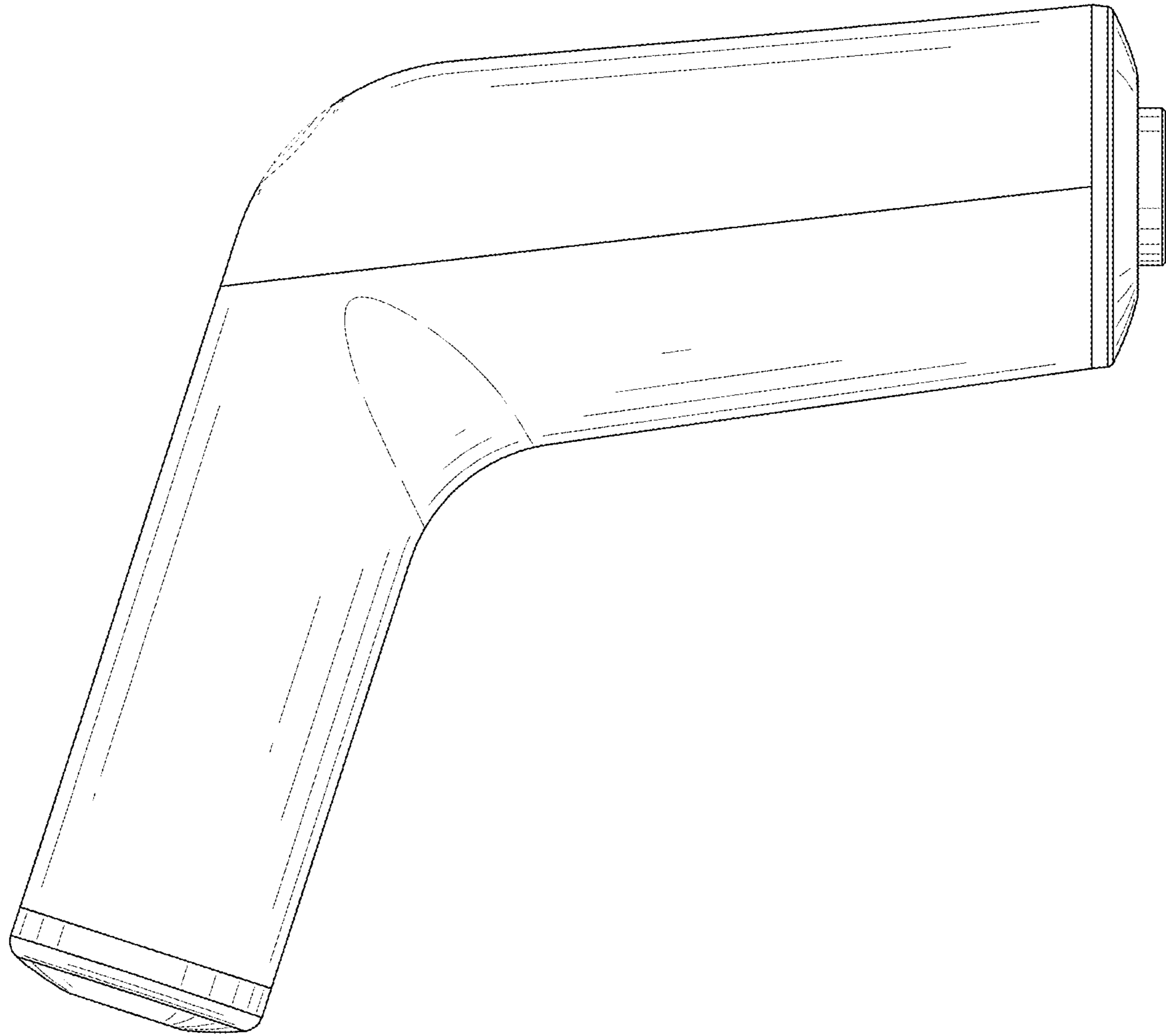


FIG.5

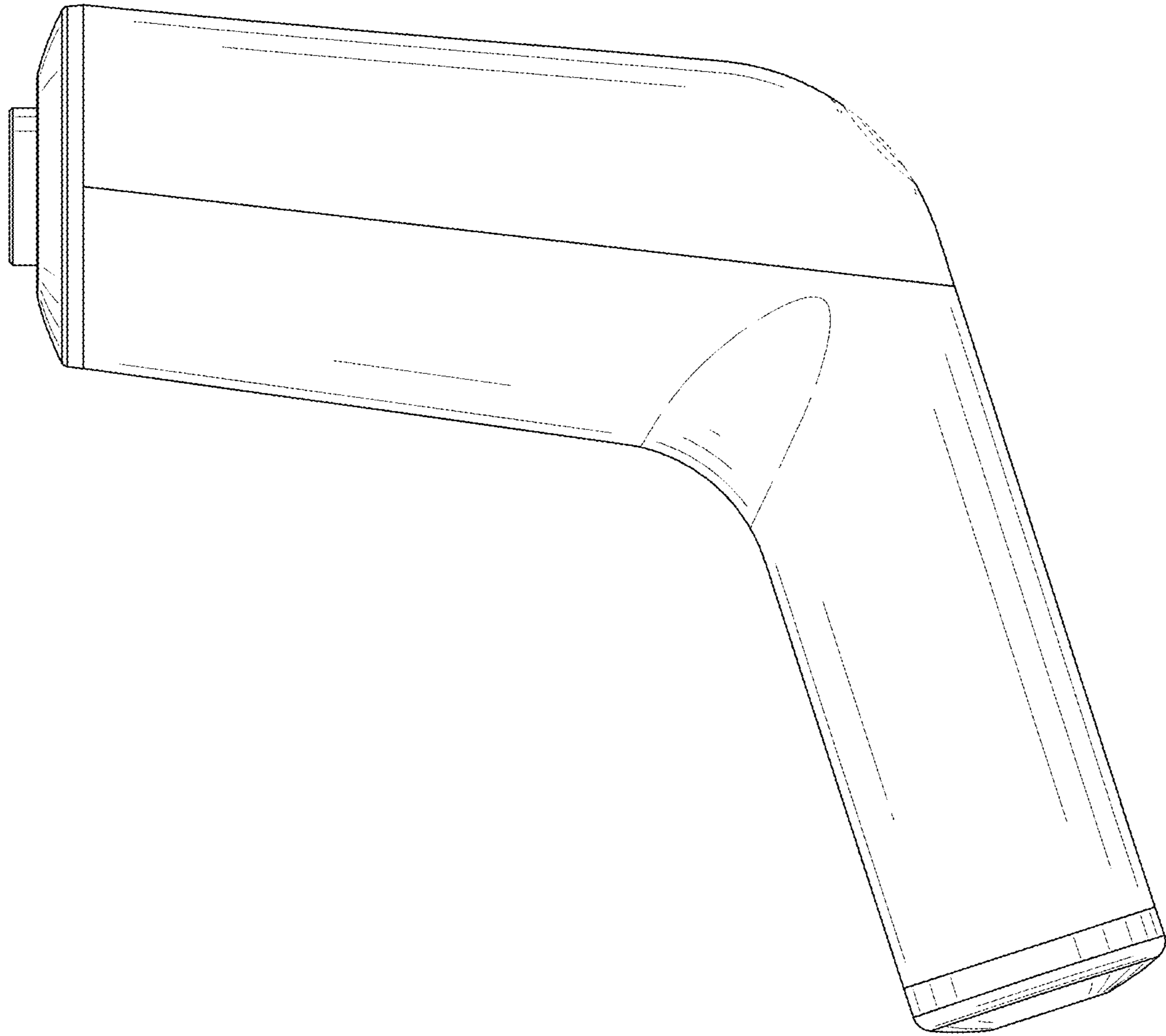


FIG.6

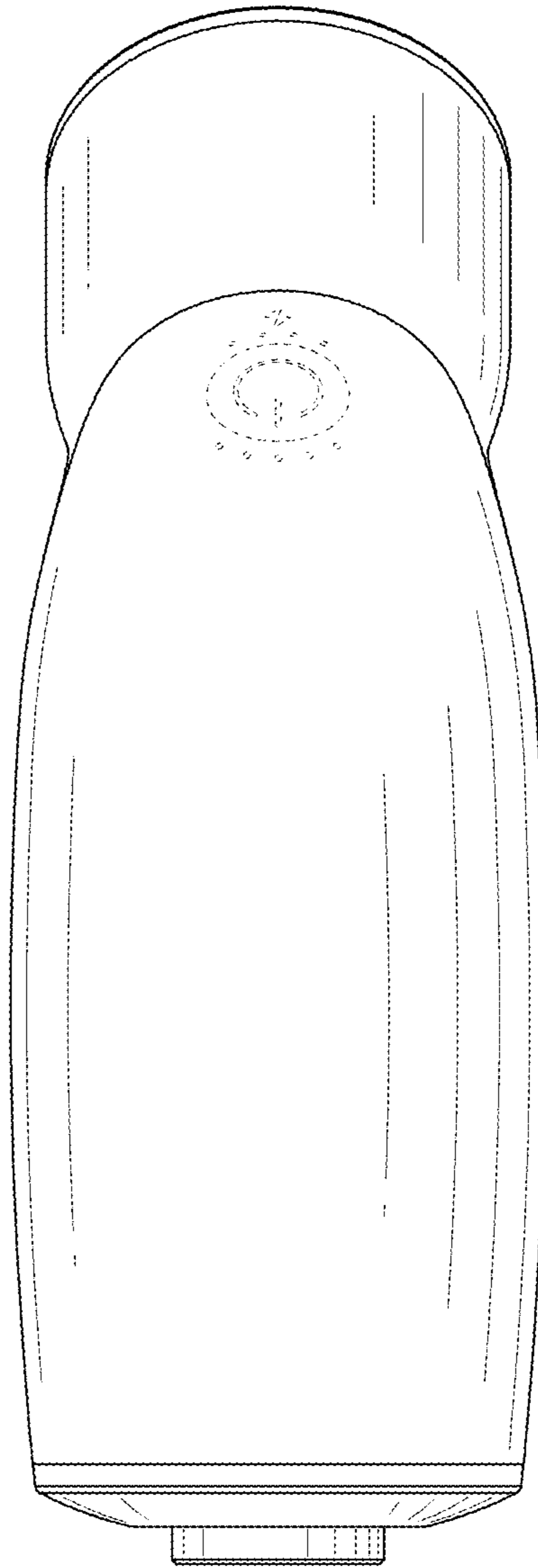


FIG.7

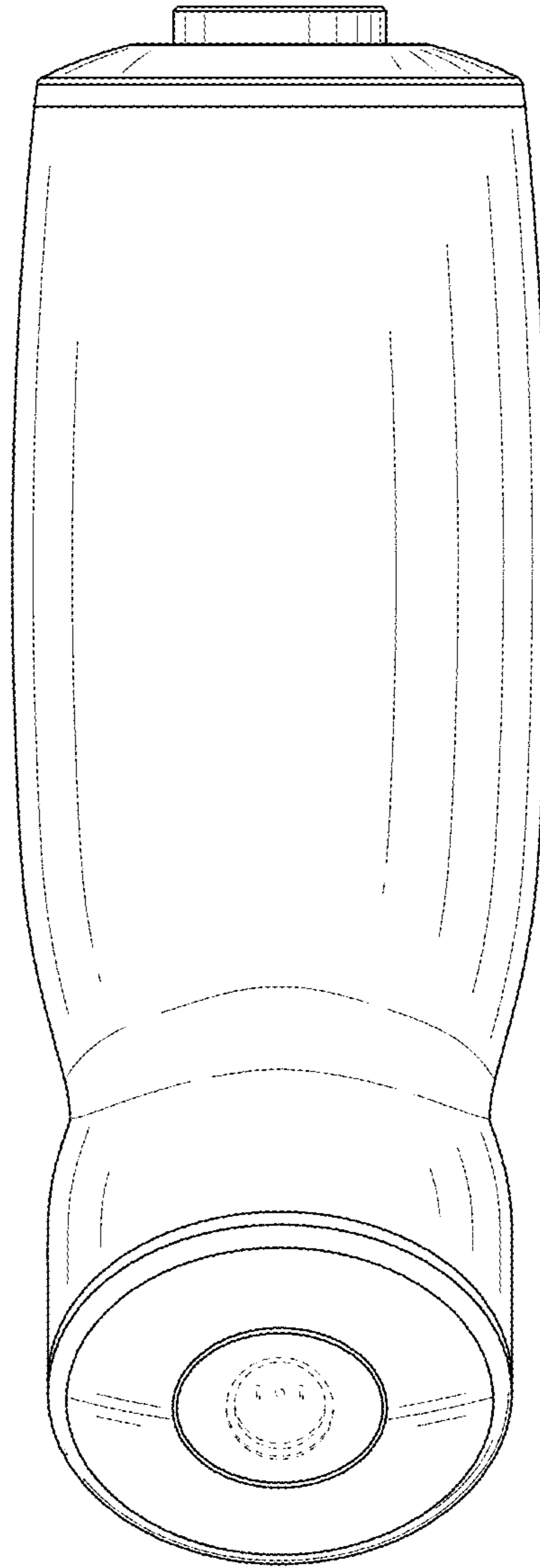


FIG.8