



US00D946777S

(12) **United States Design Patent** (10) **Patent No.:** **US D946,777 S**
Baker et al. (45) **Date of Patent:** **** Mar. 22, 2022**

(54) **SPA SHELL**

D921,908 S * 6/2021 Larsen D24/204
D921,910 S * 6/2021 Baker D24/204
2003/0014811 A1* 1/2003 Hammock A47K 3/062
4/541.1

(71) Applicant: **WATKINS MANUFACTURING CORPORATION**, Vista, CA (US)

* cited by examiner

(72) Inventors: **Sage Nathan Baker**, Cardiff, CA (US);
Jeremy J. Westerlund, Vista, CA (US);
Junko Funaki, San Diego, CA (US)

Primary Examiner — Anhdao Doan
(74) *Attorney, Agent, or Firm* — Kirk W. Rudolph

(73) Assignee: **WATKINS MANUFACTURING CORPORATION**

(57) **CLAIM**

The ornamental design for a spa shell, as shown and described.

(**) Term: **15 Years**

DESCRIPTION

(21) Appl. No.: **29/748,904**

FIG. 1 is a perspective view of a spa shell showing our new design;

(22) Filed: **Sep. 1, 2020**

FIG. 2 is another perspective view thereof;

(51) **LOC (13) Cl.** **23-02**

FIG. 3 is another perspective view thereof;

(52) **U.S. Cl.**

FIG. 4 is another perspective view thereof;

USPC **D24/204**

FIG. 5 is a top plan view thereof;

(58) **Field of Classification Search**

USPC D24/201–205, 213; D23/276–278,
D23/280.1–280.3; D25/2

FIG. 6 is a cross-sectional view thereof, taken in the direction of line 6-6 of FIG. 5;

CPC A61H 33/6005; A61H 33/6021; A61H
33/6089; A61H 33/6094; A61H 2035/004;
A61H 35/006; A47K 3/022; A47K 3/062

FIG. 7 is a cross-sectional view thereof, taken in the direction of line 7-7 of FIG. 5;

See application file for complete search history.

FIG. 8 is a cross-sectional view thereof, taken in the direction of line 8-8 of FIG. 5;

(56) **References Cited**

U.S. PATENT DOCUMENTS

D851,268 S * 6/2019 Larsen D24/204
D859,675 S * 9/2019 Larsen D24/204
D913,511 S * 3/2021 Baker D24/204
D921,907 S * 6/2021 Larsen D24/204

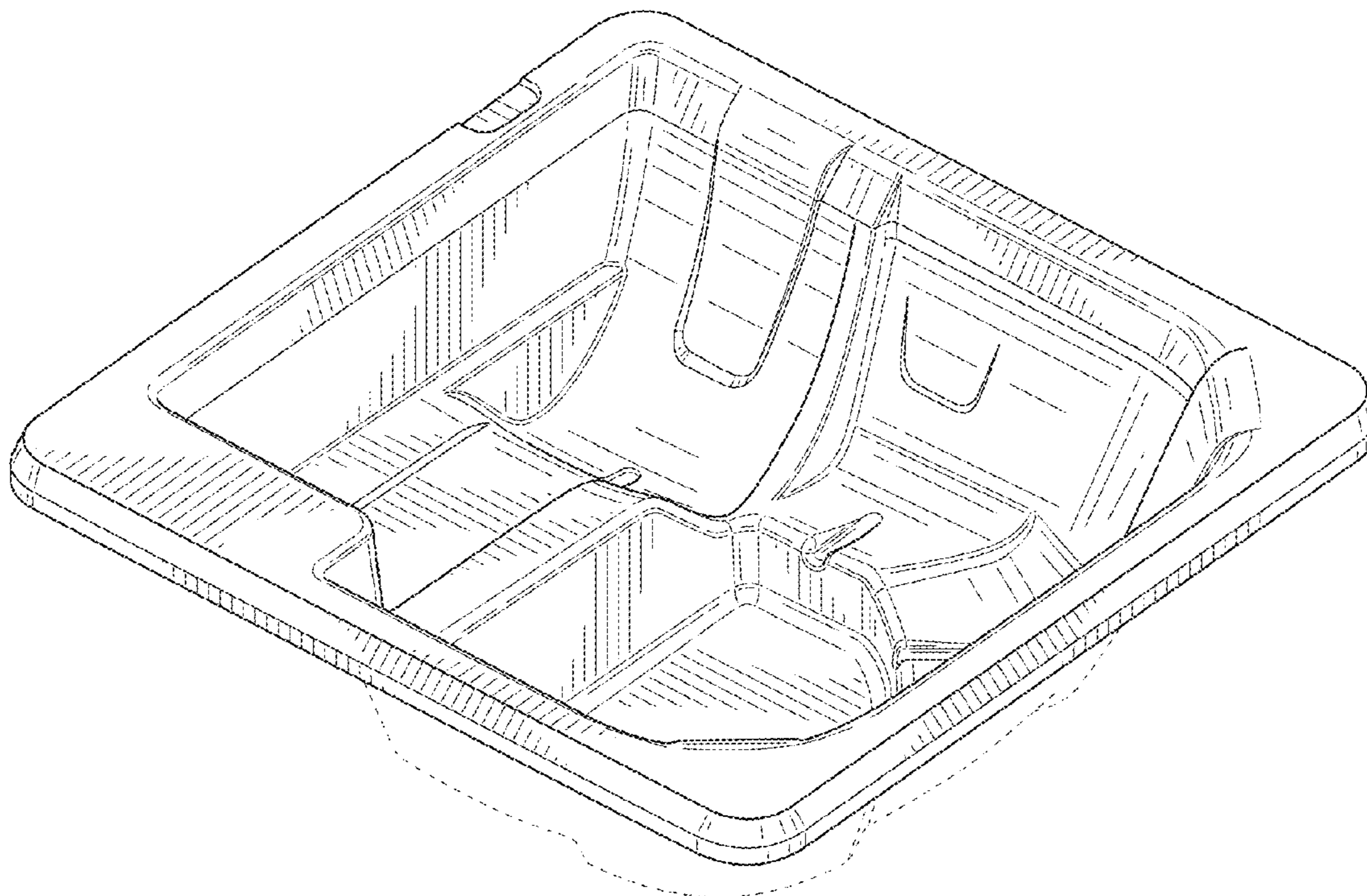
FIG. 9 is a cross-sectional view thereof, taken in the direction of line 9-9 of FIG. 5;

FIG. 10 is a cross-sectional view thereof, taken in the direction of line 10-10 of FIG. 5; and,

FIG. 11 is a cross-sectional view thereof, taken in the direction of line 11-11 of FIG. 5.

The broken lines show portions of the spa shell that form no part of the claimed design.

1 Claim, 8 Drawing Sheets



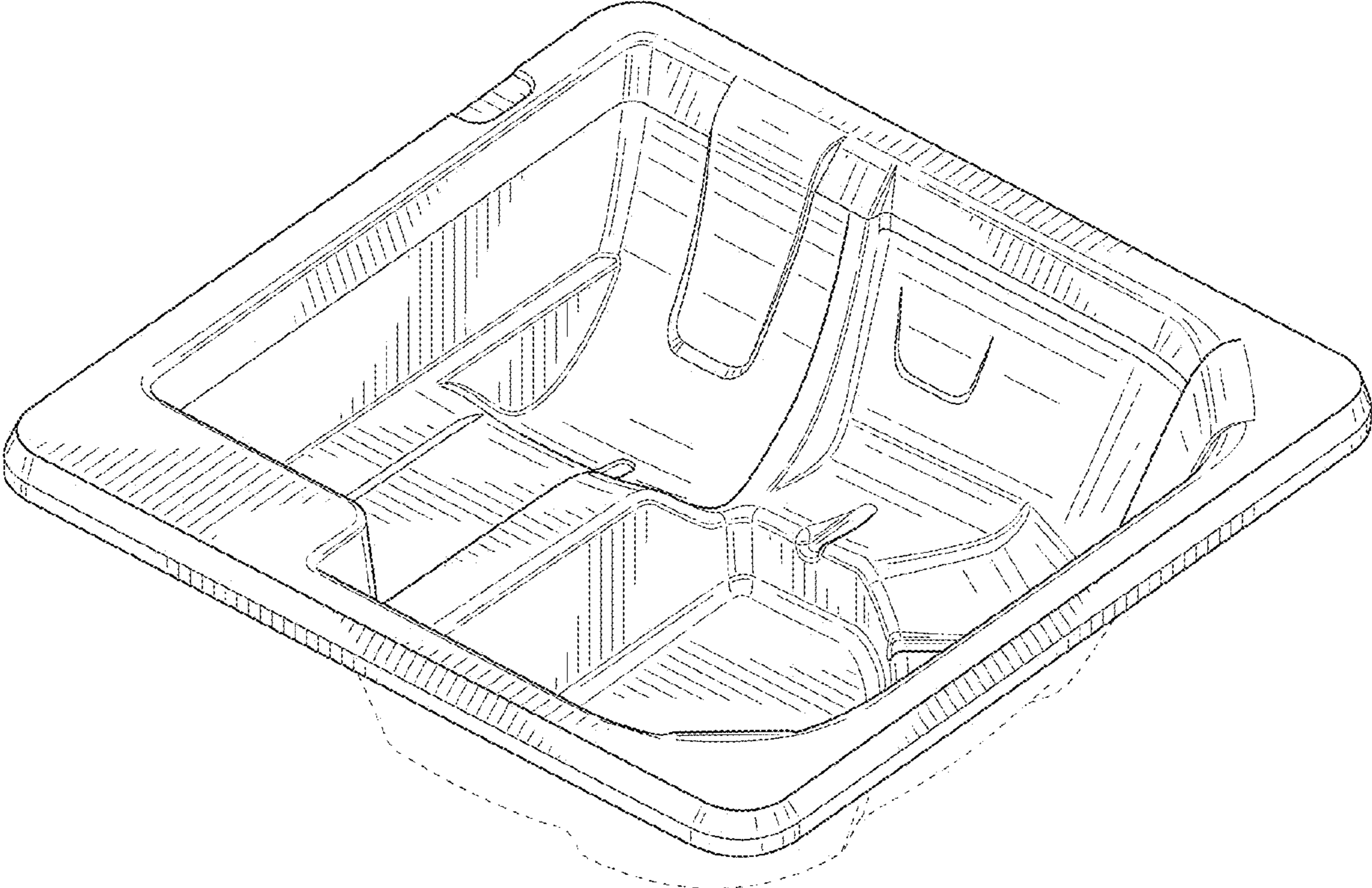


FIG. 1

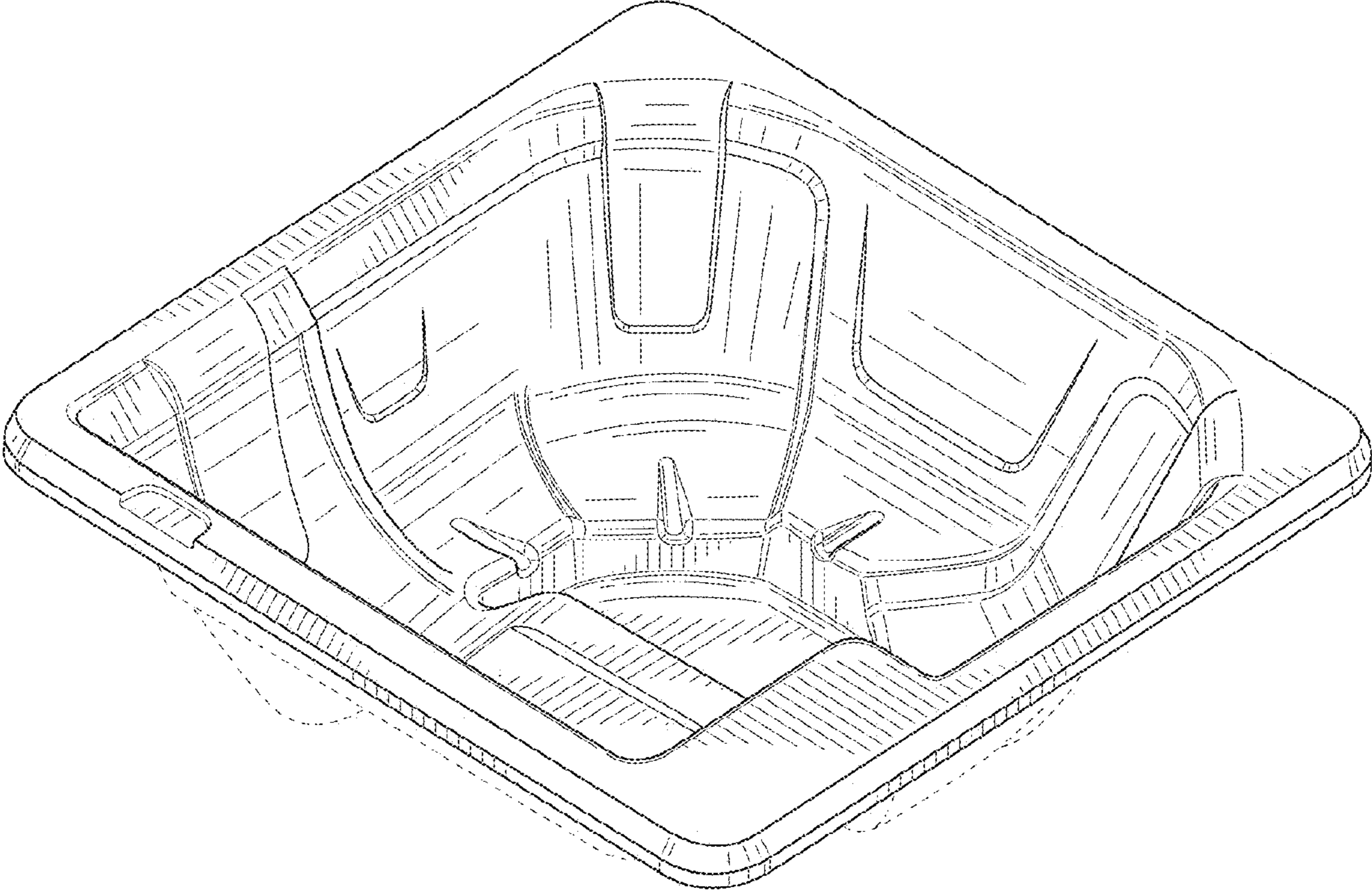


FIG. 2

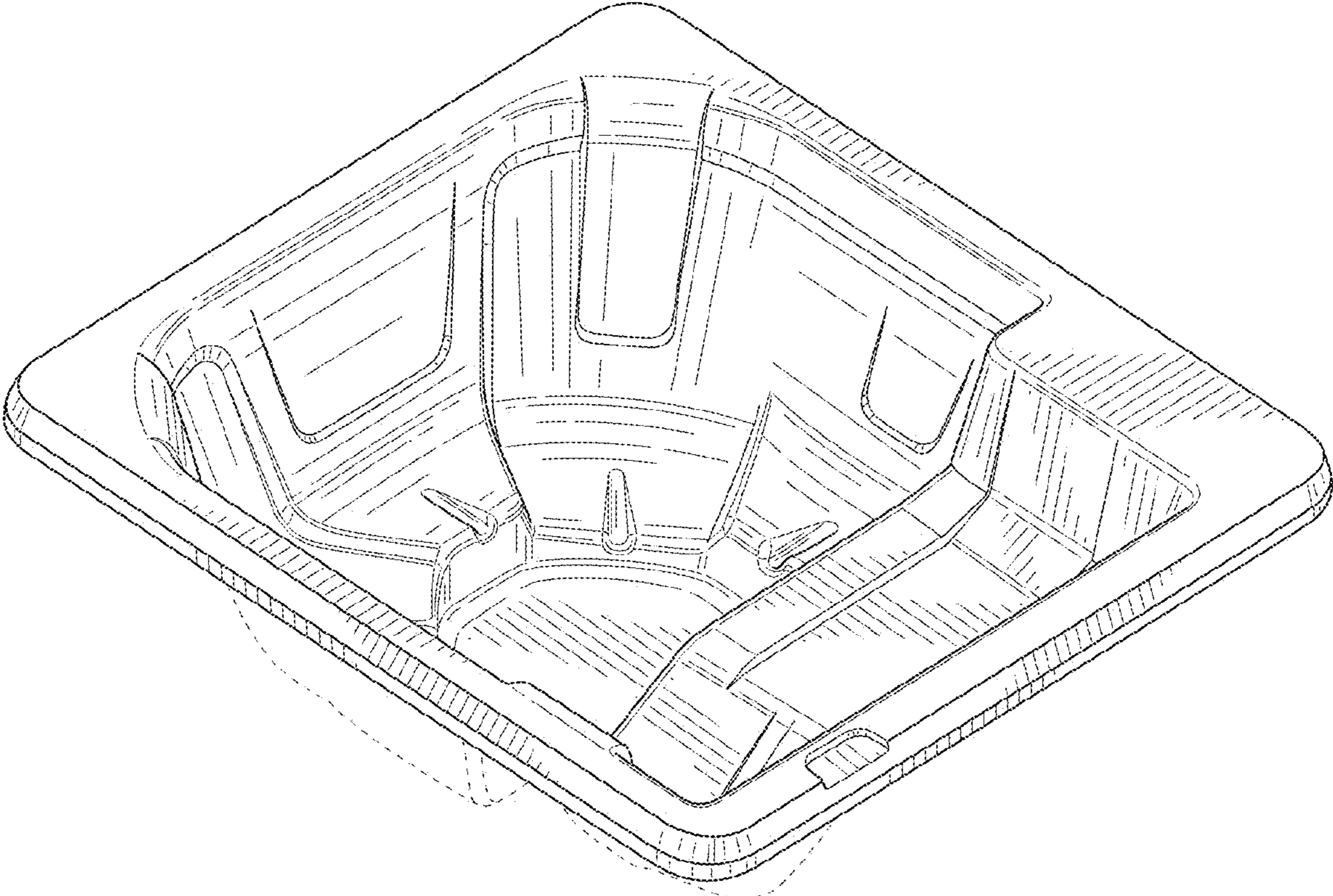


FIG. 3

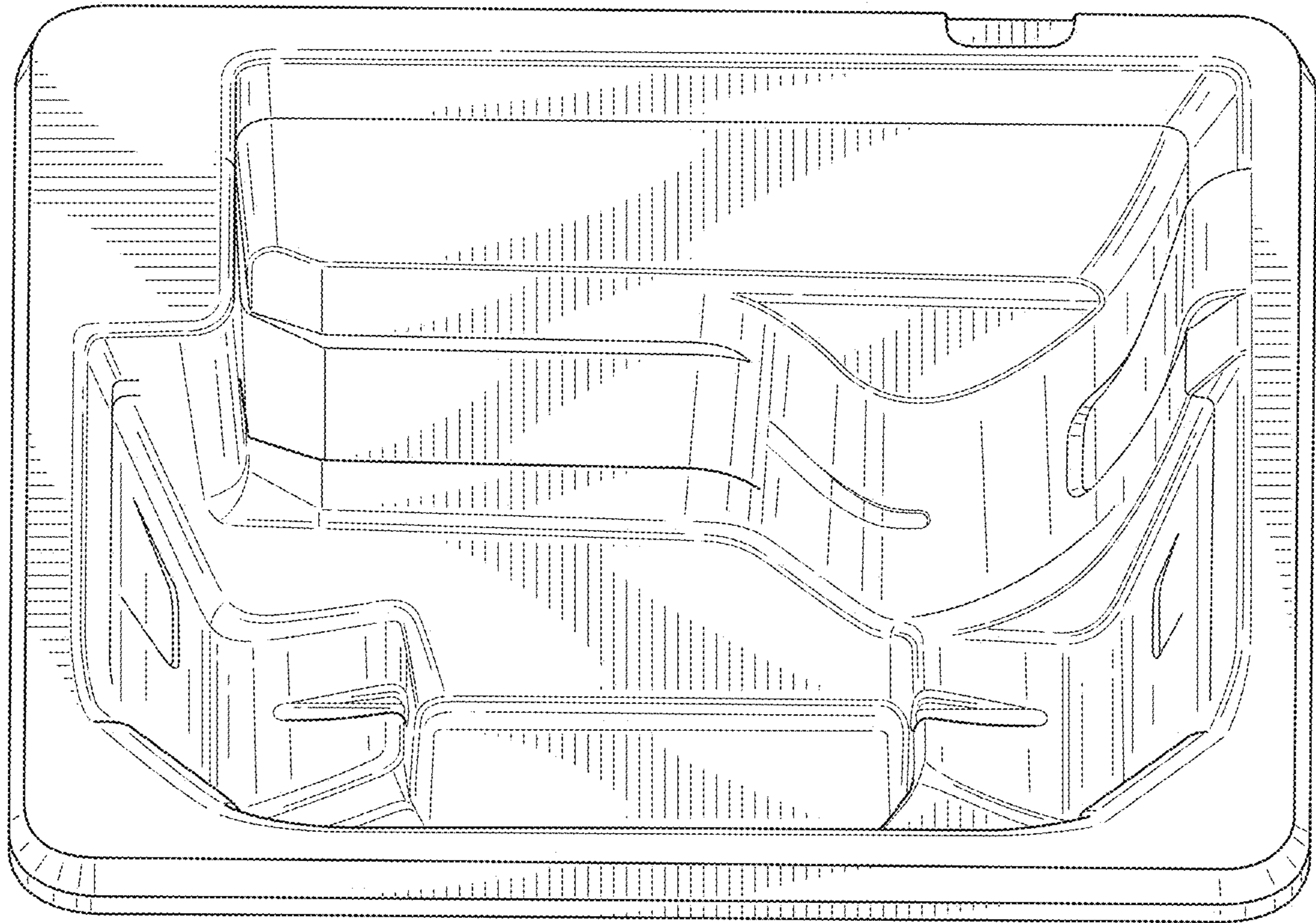


FIG. 4

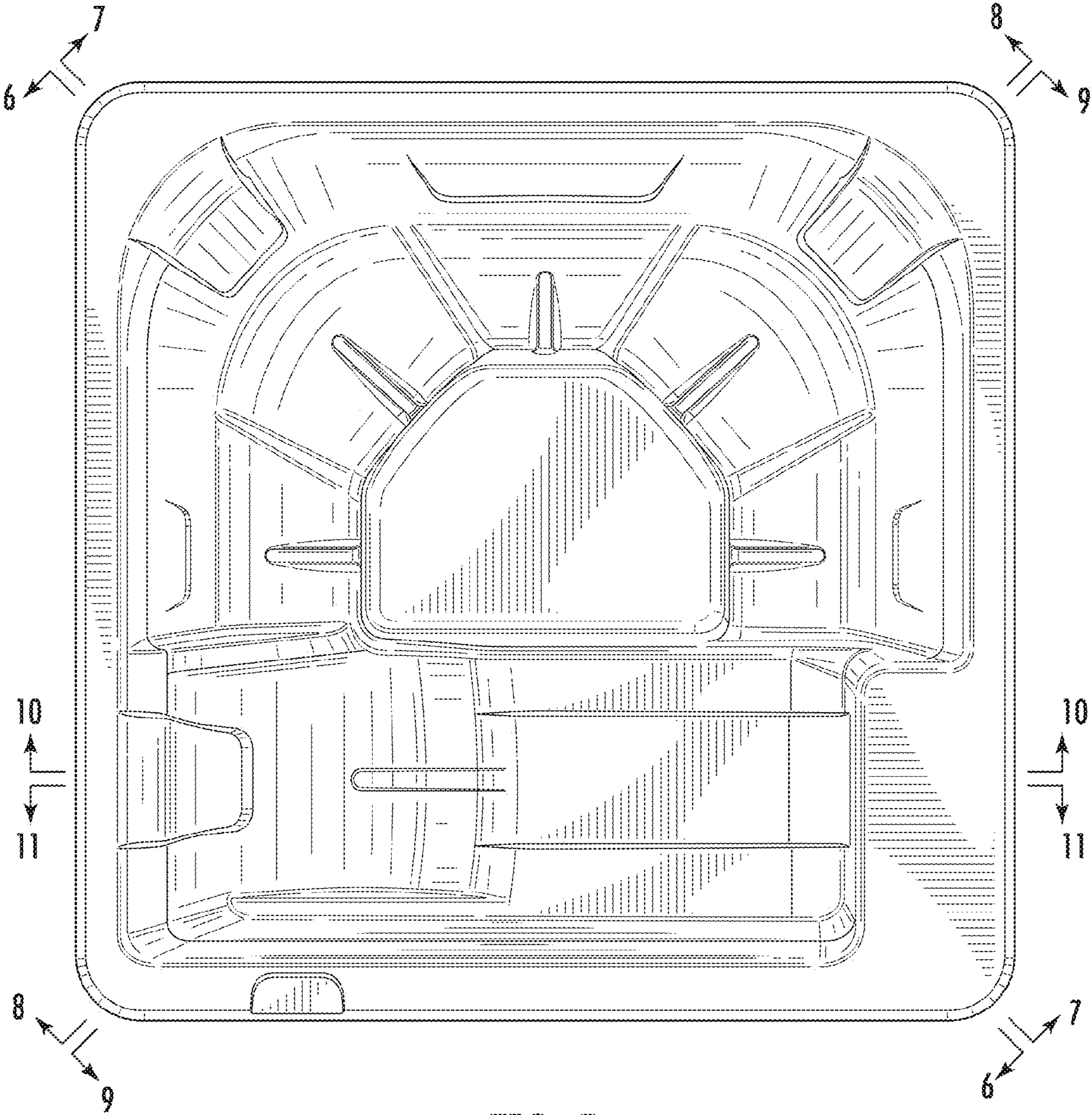


FIG. 5

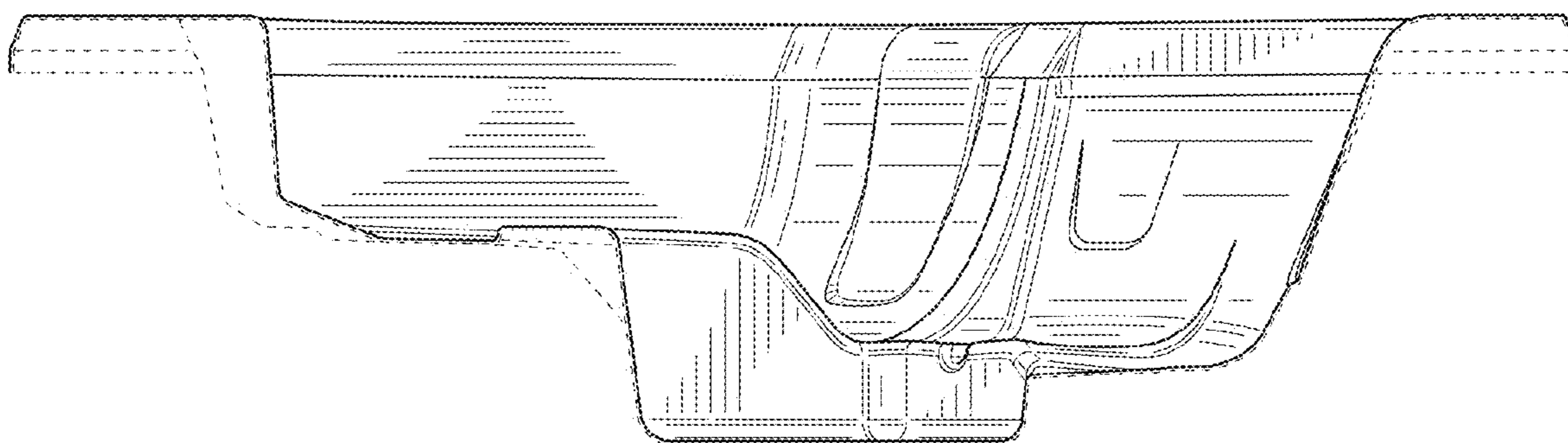


FIG. 6

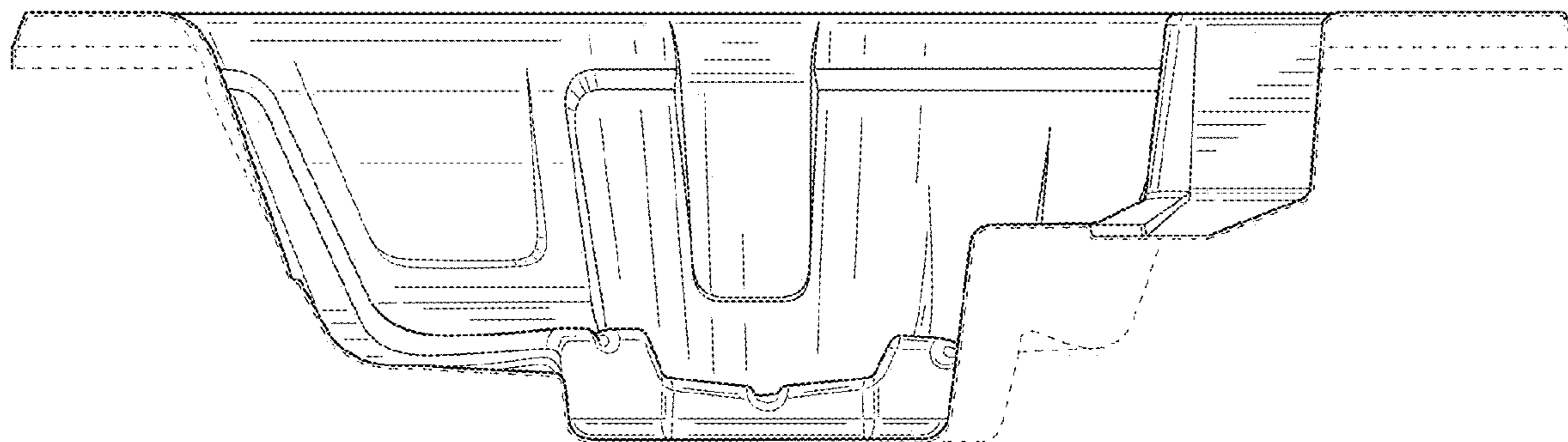


FIG. 7

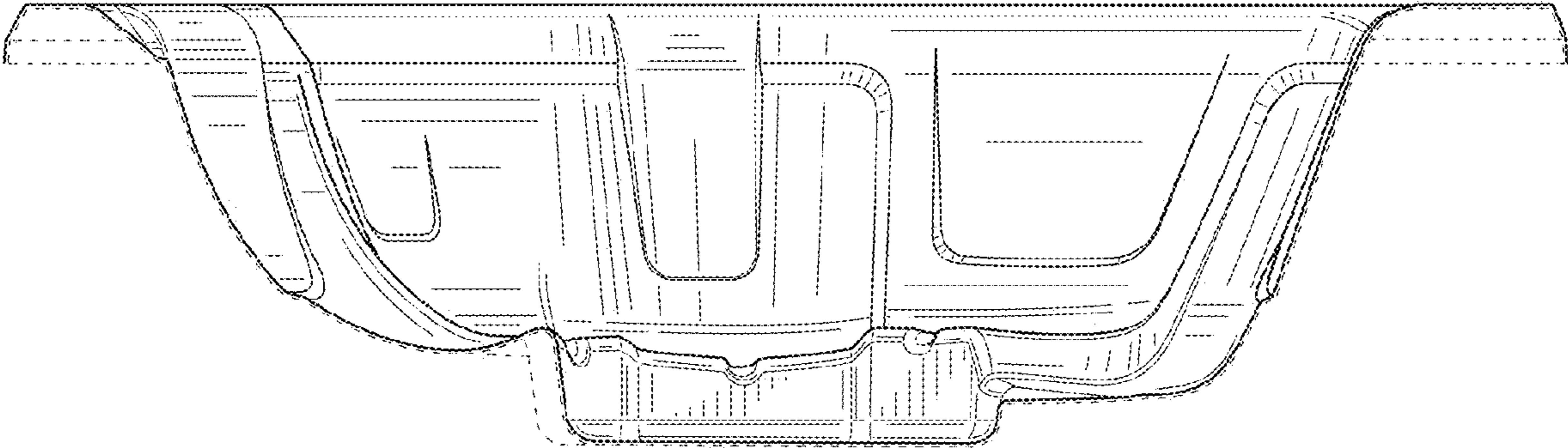


FIG. 8

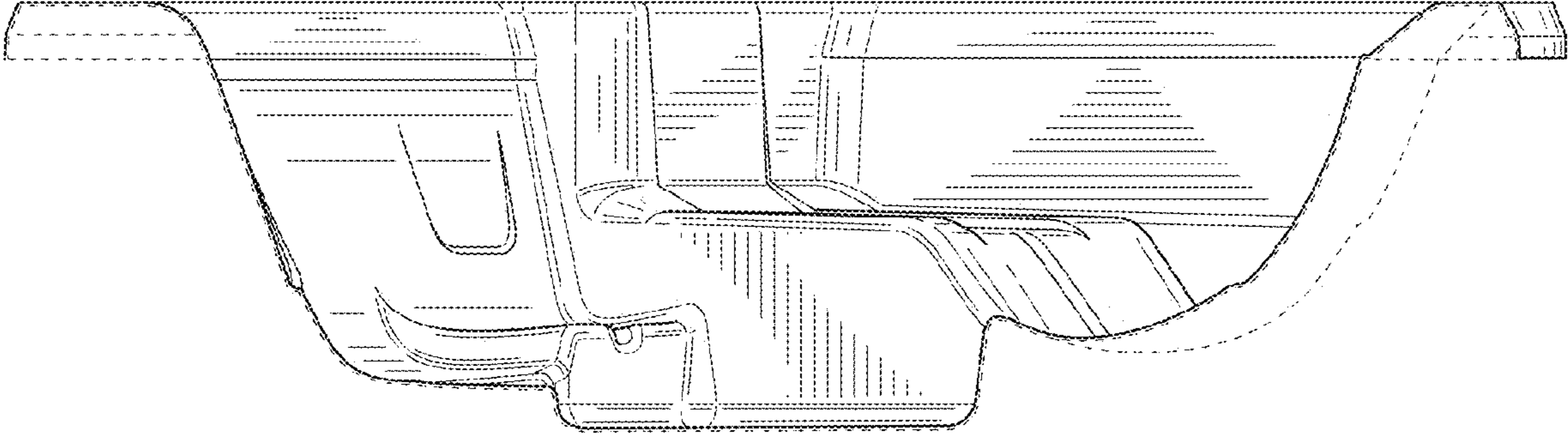


FIG. 9

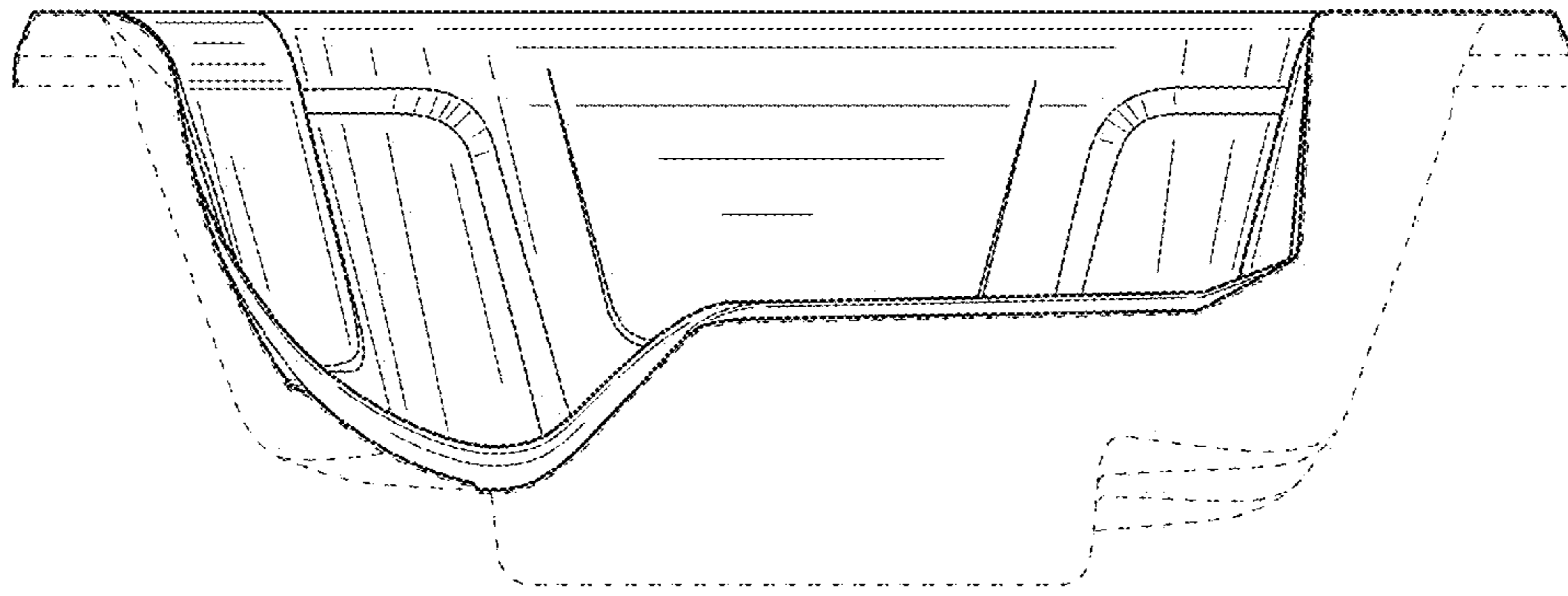


FIG. 10

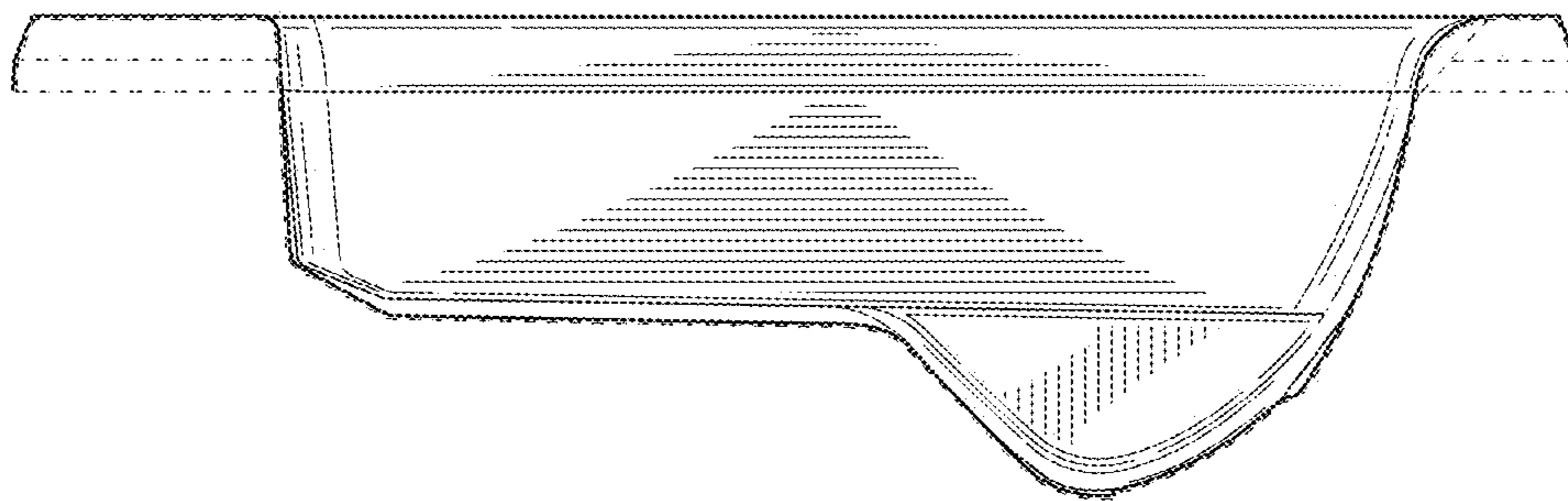


FIG. 11