



US00D946775S

(12) **United States Design Patent**  
**Liu**

(10) **Patent No.:** **US D946,775 S**  
(45) **Date of Patent:** **\*\* Mar. 22, 2022**

(54) **PARAFFIN WAX WARMER**  
(71) Applicant: **Guangzhou Fourto Sanitary Products Co., Ltd, Guangzhou (CN)**  
(72) Inventor: **Ziyi Liu, Guangzhou (CN)**  
(73) Assignee: **Guangzhou Fourto Sanitary Products Co., Ltd, Guangzhou (CN)**  
(\*\*) Term: **15 Years**

(21) Appl. No.: **29/750,082**  
(22) Filed: **Sep. 11, 2020**  
(51) **LOC (13) Cl.** ..... **28-03**  
(52) **U.S. Cl.**  
USPC ..... **D24/200; D28/44.1**  
(58) **Field of Classification Search**  
USPC ..... D24/200, 204, 121; D7/323, 391, 354,  
D7/538, 629; D9/435, 503, 424, 428,  
D9/780; D28/44, 44.1  
CPC ..... A61F 7/00; A61F 7/007; A61F 7/0085;  
A61F 2007/0001; A61F 2007/0003; A61F  
2007/0004; A61F 2007/0024; A61F  
2007/0029; A61F 2007/0031; A61F  
2007/0039; A61F 2007/0041; A61F  
2007/0043; A61F 2007/0219; A47J 36/06;  
A61L 9/03; A61L 9/12; F27B 14/12;  
H05B 3/00; H05B 3/0052; H05B 3/26;  
A61H 33/04; A61H 2033/047  
See application file for complete search history.

(56) **References Cited**  
**U.S. PATENT DOCUMENTS**  
6,184,500 B1 \* 2/2001 Glucksman ..... A61H 33/04  
219/430  
D442,284 S \* 5/2001 Ferber ..... D24/200

6,303,910 B2 \* 10/2001 Glucksman ..... A61H 33/04  
219/430  
D479,951 S \* 9/2003 Segura ..... D7/608  
6,756,567 B1 \* 6/2004 Suen ..... F27B 17/00  
219/424  
D838,859 S \* 1/2019 Yu ..... D24/200  
D914,223 S \* 3/2021 Wang ..... D24/200  
D914,224 S \* 3/2021 Wang ..... D24/200  
D917,710 S \* 4/2021 Li ..... D24/200  
D932,641 S \* 10/2021 Mo ..... D24/200  
D933,248 S \* 10/2021 Liu ..... D24/200

\* cited by examiner

*Primary Examiner* — Wan Laymon

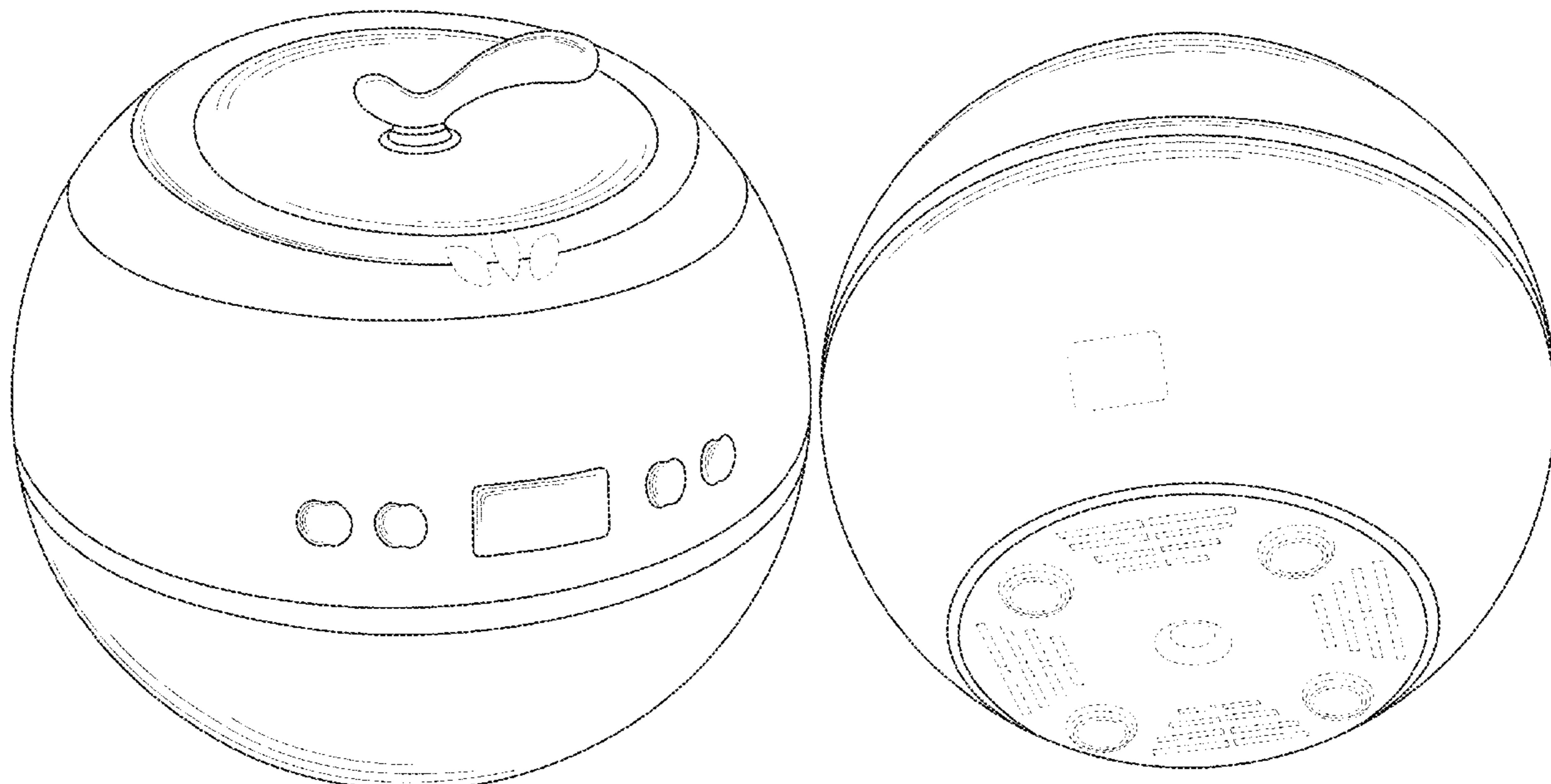
(57) **CLAIM**

The ornamental design for a paraffin wax warmer, as shown and described.

**DESCRIPTION**

FIG. 1 is a front perspective view of a paraffin wax warmer showing my new design;  
FIG. 2 is a left perspective view thereof;  
FIG. 3 is a bottom perspective view thereof;  
FIG. 4 is a top view thereof;  
FIG. 5 is a bottom view thereof;  
FIG. 6 is a front view thereof;  
FIG. 7 is a rear view thereof;  
FIG. 8 is a left side view thereof; and,  
FIG. 9 is a right side view thereof.  
The broken lines depict portions of the paraffin wax warmer in which the design is embodied that form no part of the claimed design.

**1 Claim, 9 Drawing Sheets**



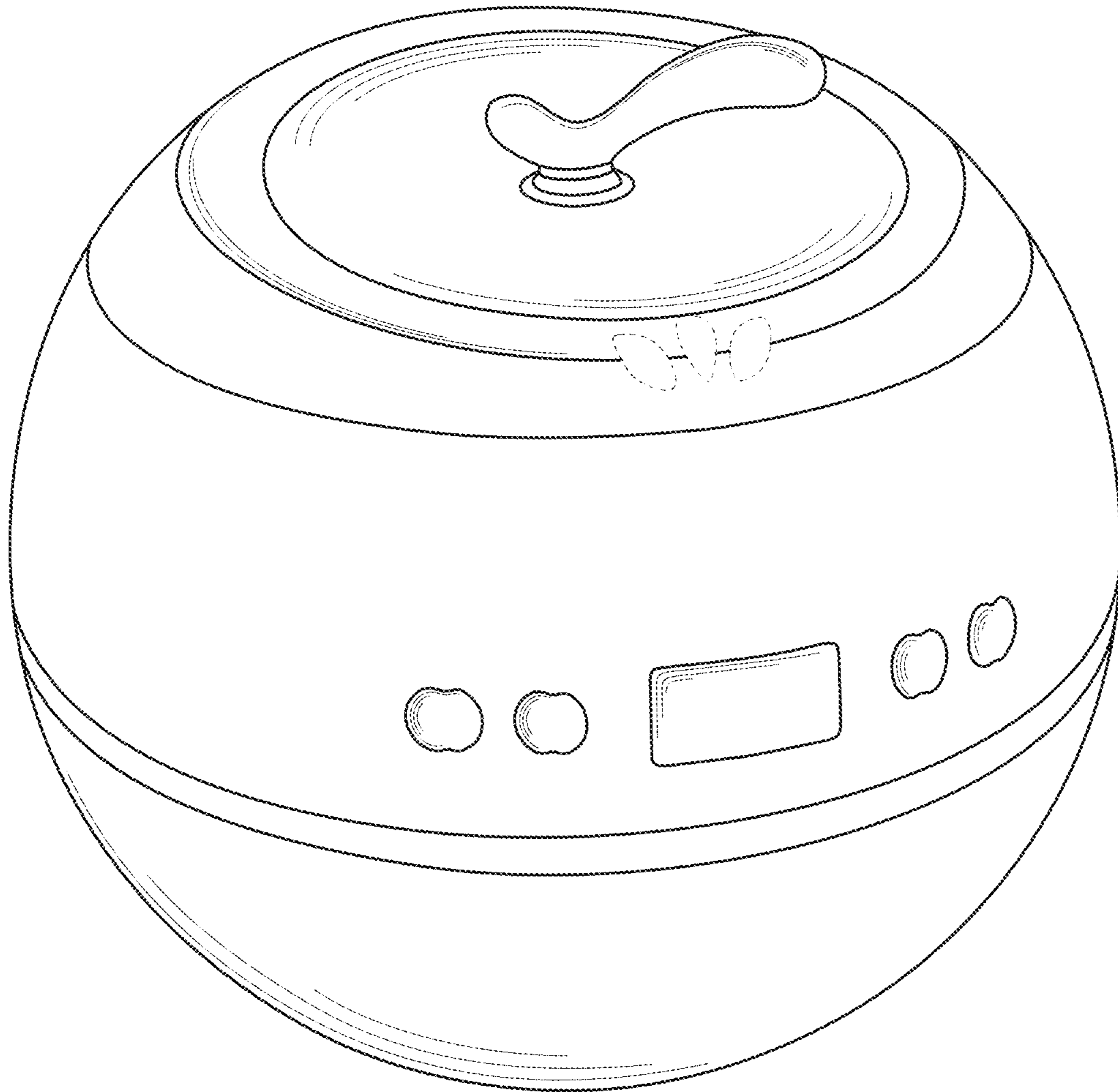


FIG. 1

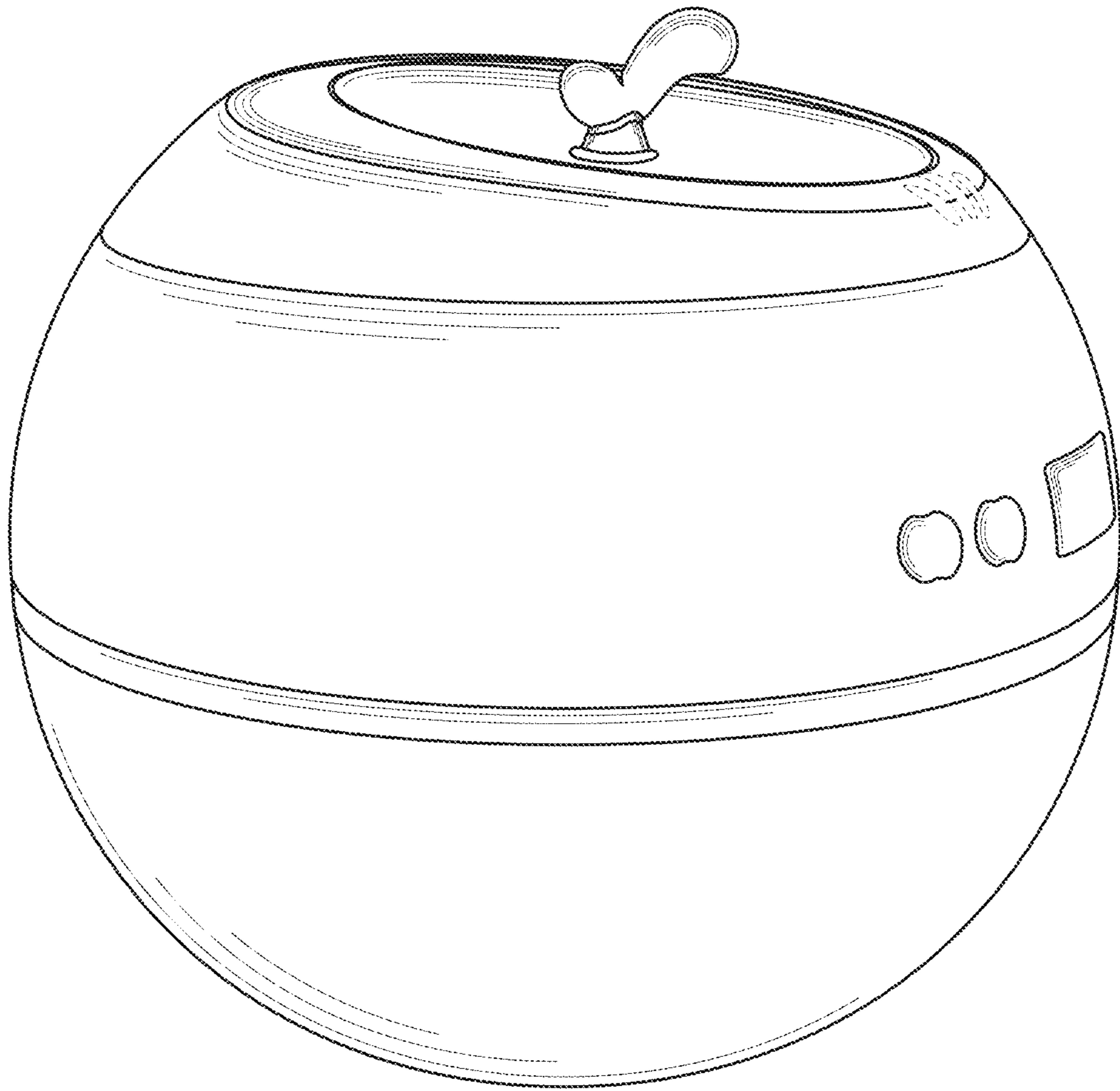


FIG. 2

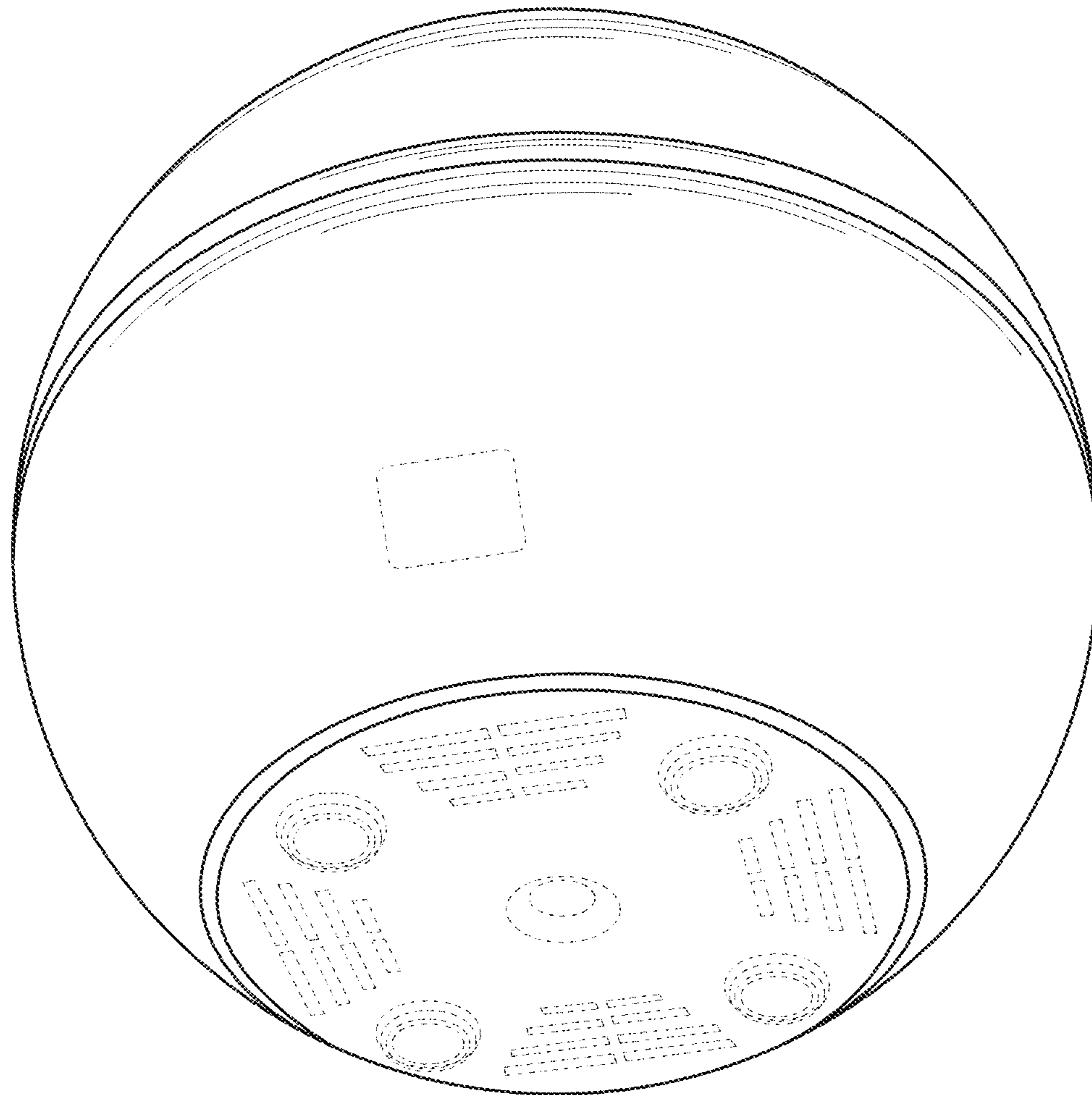


FIG. 3

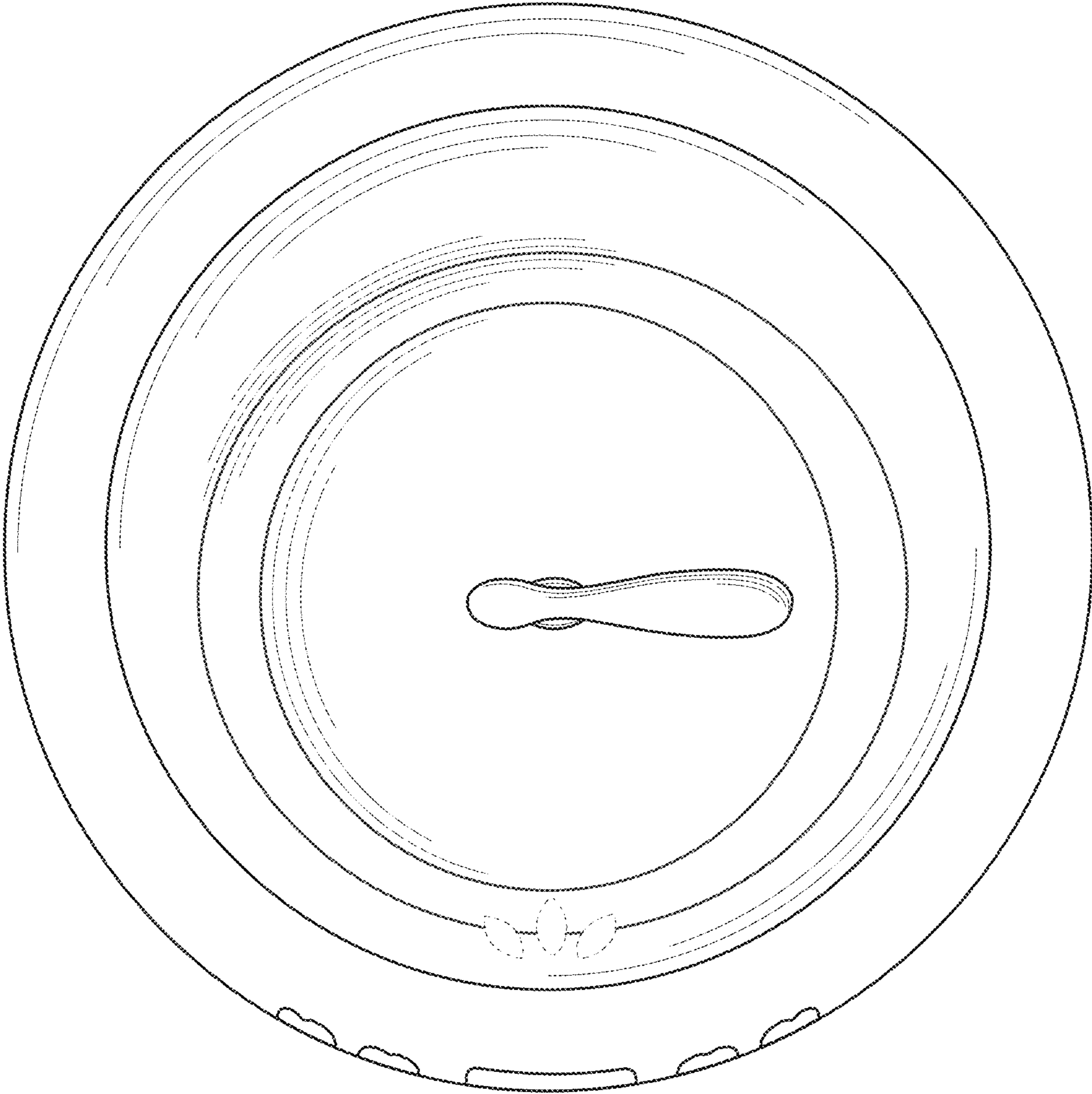


FIG. 4

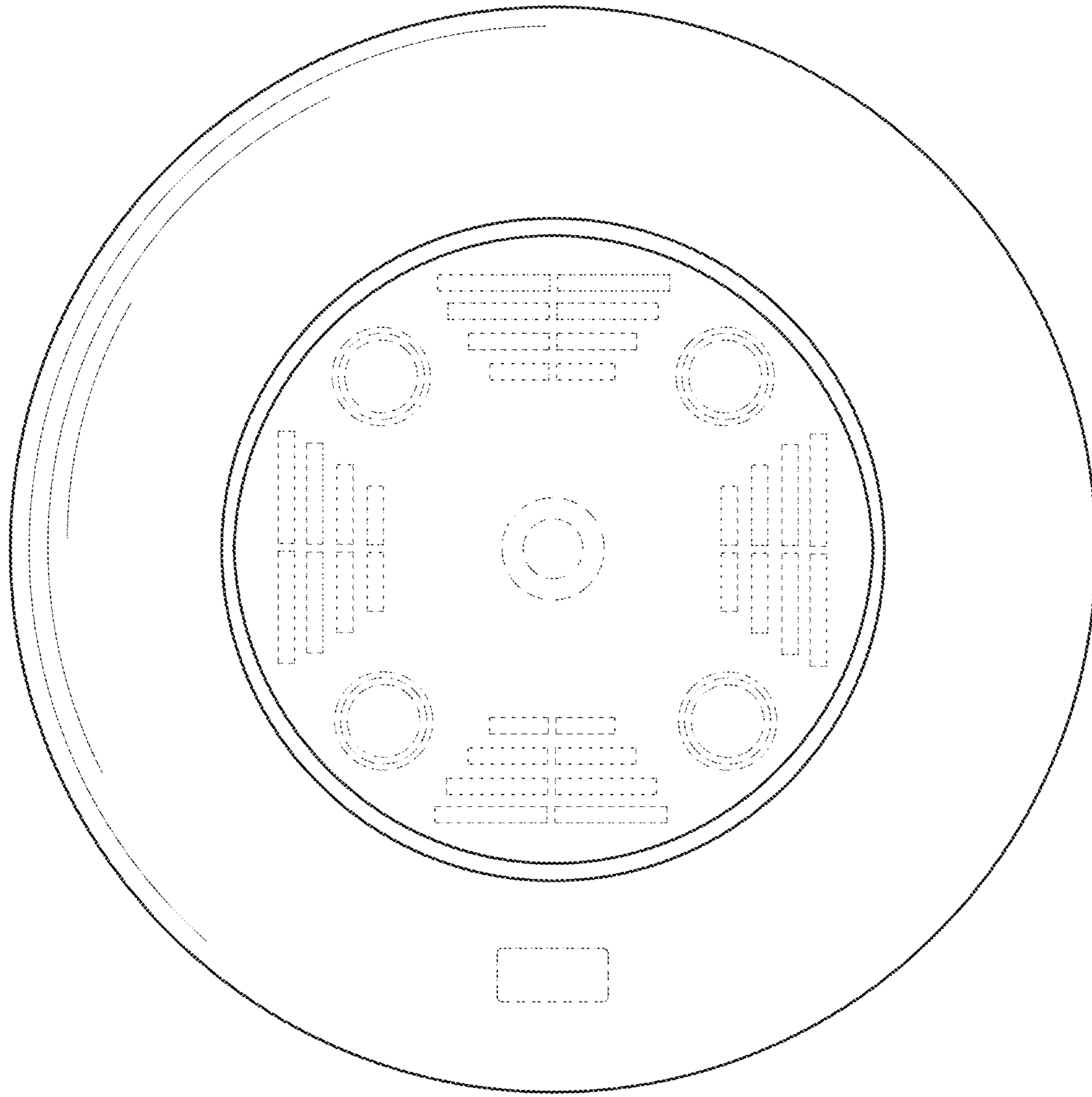


FIG. 5

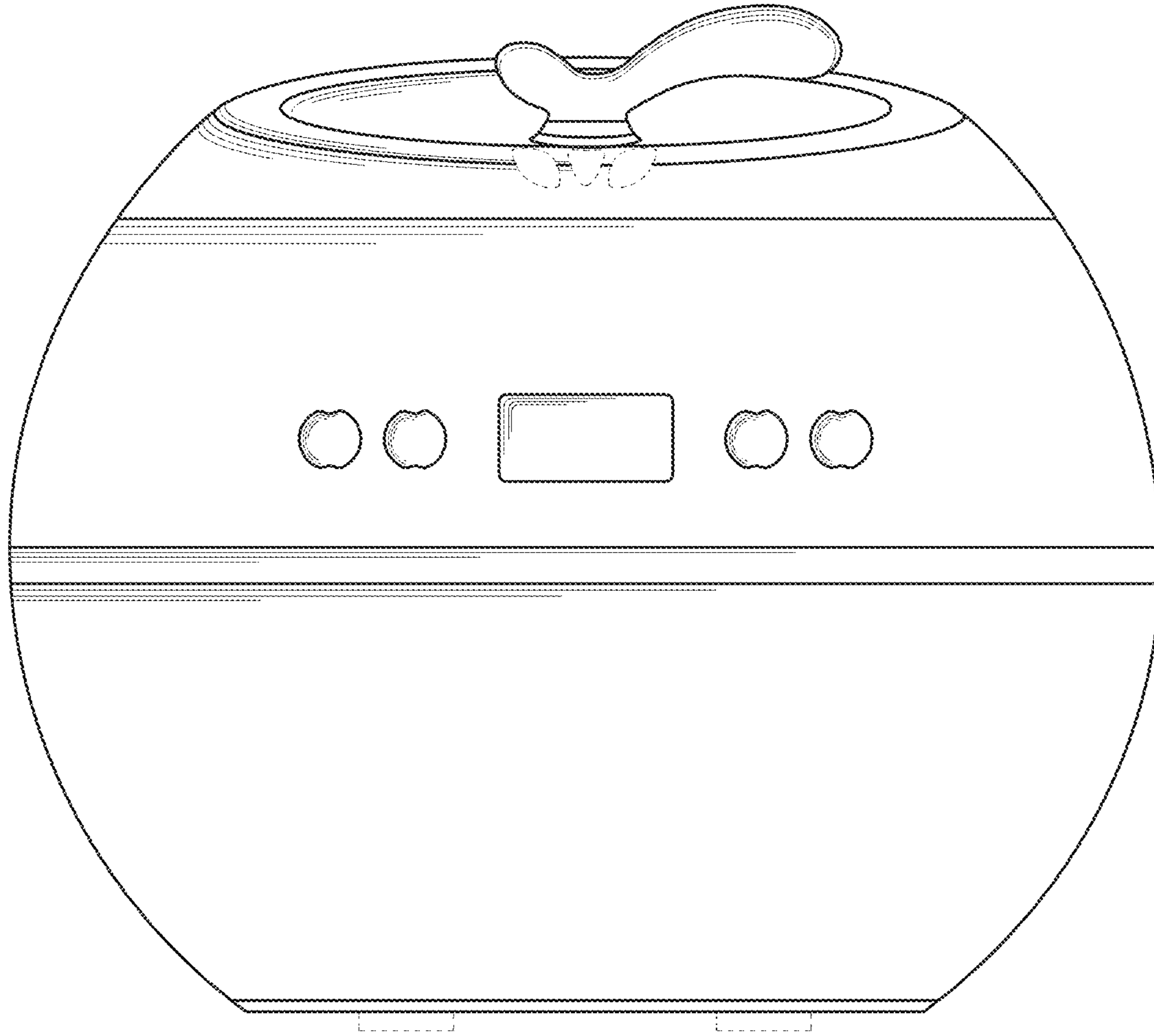


FIG. 6

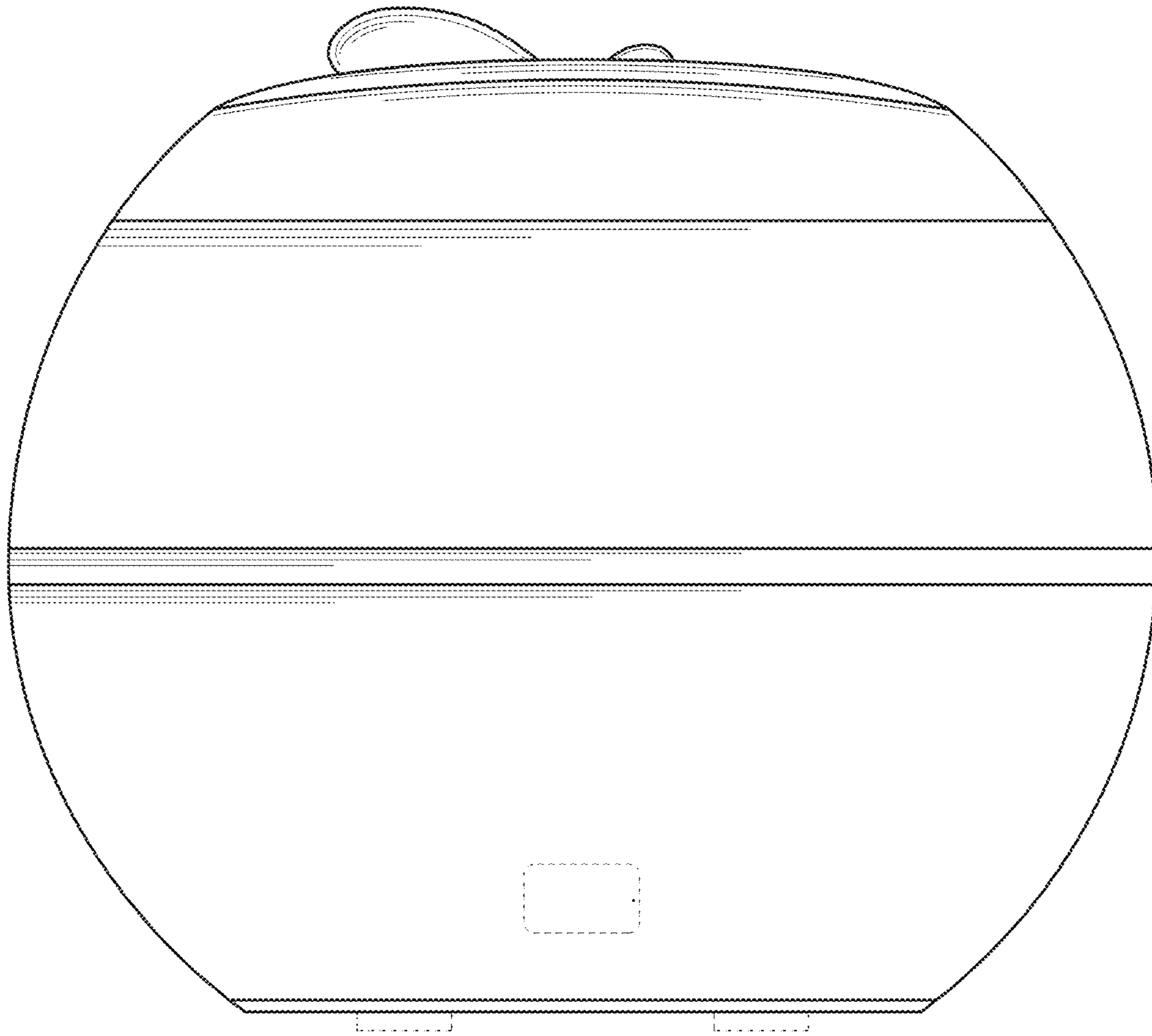


FIG. 7



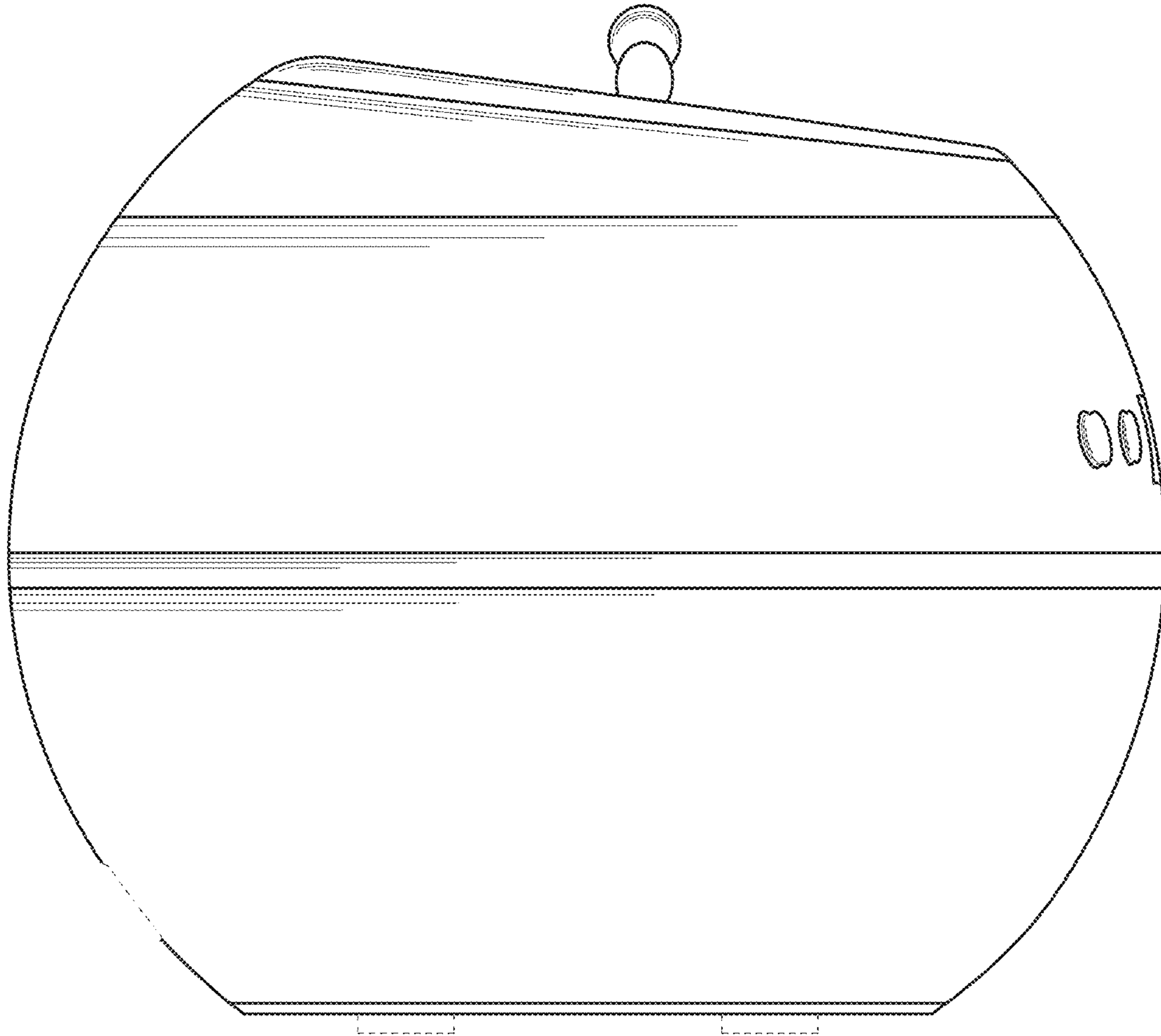


FIG. 8

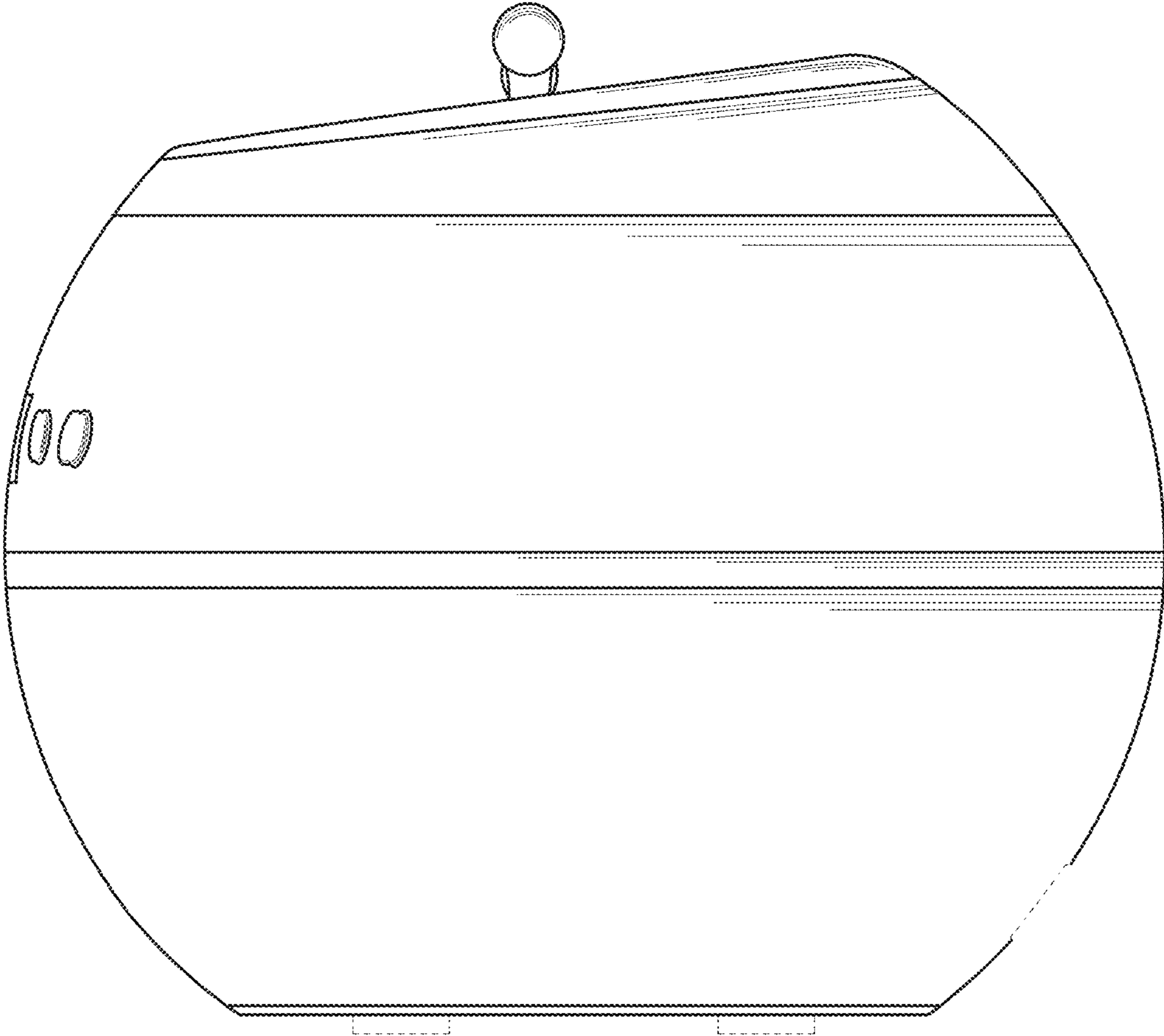


FIG. 9