



US00D946774S

(12) **United States Design Patent** (10) **Patent No.:** **US D946,774 S**
Triebwasser et al. (45) **Date of Patent:** **** Mar. 22, 2022**

(54) **HEAD ORIENTATION BLOCK**
(71) Applicant: **Sports Plus LLC**, Commack, NY (US)
(72) Inventors: **Michael Triebwasser**, Bohemia, NY (US); **Nancy Triebwasser**, Commack, NY (US)
(73) Assignee: **Sports Plus LLC**, Commack, NY (US)
(**) Term: **15 Years**
(21) Appl. No.: **29/744,932**
(22) Filed: **Aug. 1, 2020**
(51) **LOC (13) Cl.** **24-02**
(52) **U.S. Cl.**
USPC **D24/191**
(58) **Field of Classification Search**
USPC D24/188-190; D29/100, 101.1, 101.2, D29/101.3
CPC .. A61F 5/026; A61F 5/028; A61F 5/02; A61F 5/0193
See application file for complete search history.

(56) **References Cited**

U.S. PATENT DOCUMENTS

D439,342 S *	3/2001	Seip, Jr.	D24/190
D469,541 S *	1/2003	Cheatham	D24/191
D519,639 S *	4/2006	Follman	D24/191
D644,331 S *	8/2011	Sandhu	D24/191
D662,557 S *	6/2012	Nawracaj	D21/683
D719,662 S *	12/2014	Pope	D24/191
D766,449 S *	9/2016	Cappa	D24/190
D836,783 S *	12/2018	Hilliard	D24/190
D866,773 S *	11/2019	Hsu	D24/191
D894,409 S *	8/2020	Yeip	D24/191
D896,960 S *	9/2020	Marcus	D24/143
D897,546 S *	9/2020	Gowanlock	D24/190

(Continued)

OTHER PUBLICATIONS

Heads Up Head Safe™ Ages 4-14, Sports Plus LLC, [Post date unknown], [Site seen Jan. 6, 2022], Seen at URL: <https://sportsplusllc.com/#!/Heads-Up-Head-Safe-tm-Ages-4-14/p/369921643/category=0> (Year: 2022).*

(Continued)

Primary Examiner — Natasha Vujcic
Assistant Examiner — Gilbert B Ford
(74) *Attorney, Agent, or Firm* — Alfred M. Walker

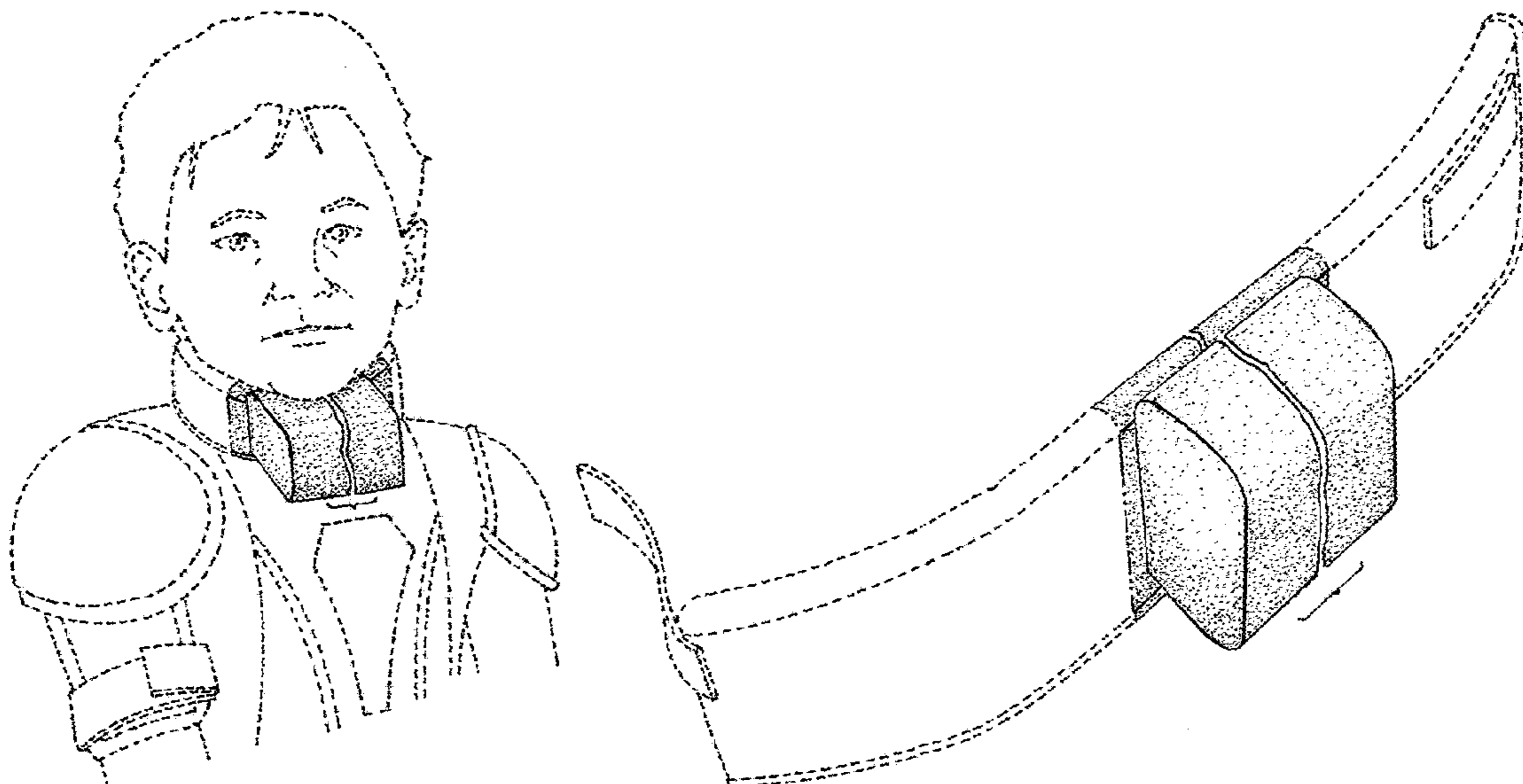
(57) **CLAIM**

We claim the ornamental design for a head orientation block, as shown and described.

DESCRIPTION

FIG. 1 is a perspective view showing a head orientation block;
FIG. 2 is a perspective view of the head orientation block,
FIG. 3 is a front view thereof,
FIG. 4 is a rear view thereof,
FIG. 5 is a left side view thereof.
FIG. 6 is a right-side view thereof.
FIG. 7 is a top plan view; and,
FIG. 8 is a bottom view thereof, where the broken line indicated by the bracket discloses variable width of the head orientation block.
The broken lines and brackets shown in the drawings depict portions of the head orientation block that form no part of the claimed design.
The break lines in the figures indicate that the appearance of any portion of the head orientation block between the break lines forms no part of the claimed design.
The person and attire shown in broken lines in FIG. 1 illustrate portions of the environment of the head orientation block and form no part of the claimed design.
The neck collar shown in broken lines in FIGS. 1-8 illustrate portions of the environment of the head orientation block, and forms no part of the claimed design.

1 Claim, 4 Drawing Sheets



(56)

References Cited

U.S. PATENT DOCUMENTS

D900,327 S * 10/2020 Cleveland D24/191
D910,858 S * 2/2021 Marton D24/190
D940,338 S * 1/2022 Alexandrescu D24/191

OTHER PUBLICATIONS

Heads Up Head Safe™ Revolutionary New Hockey Training Tool, Sports Plus, youtube, [Post date: Oct. 26, 2021], [Site seen Jan. 6, 2022], Seen at URL:<https://www.youtube.com/watch?v=CMjy6QDXH0Y> (Year: 2021).*

Shock Doctor Ultra Neck Guard (Black), Shock Doctor Store, Amazon, [Post Date: Jul. 25, 2011], [Site seen: Jan. 6, 2022], Seen at URL:<https://www.amazon.com/Shock-Doctor-Ultra-Guard-Black/dp/B005EKJCJ6> (Year: 2011).*

* cited by examiner

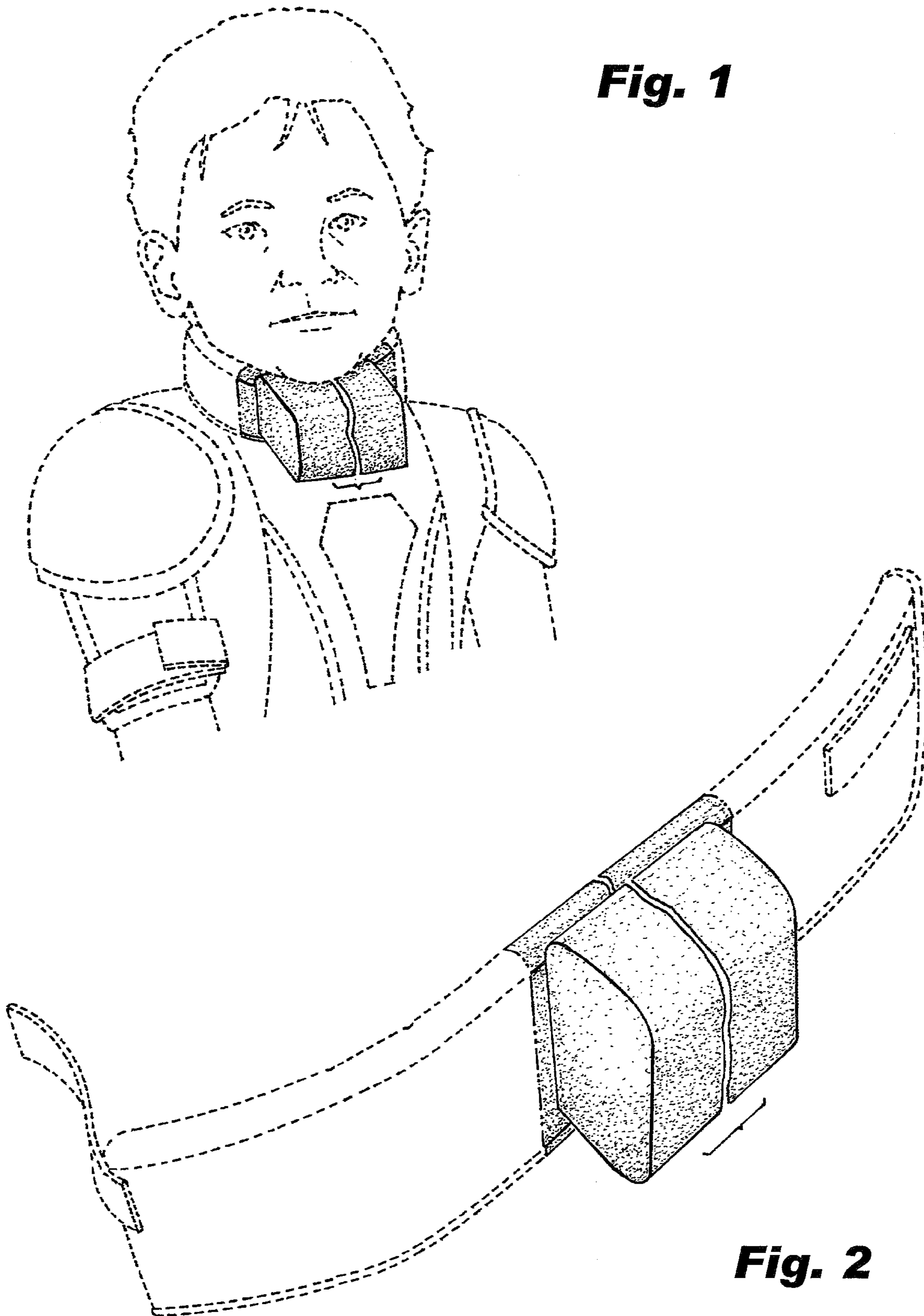


Fig. 1

Fig. 2

Fig. 3

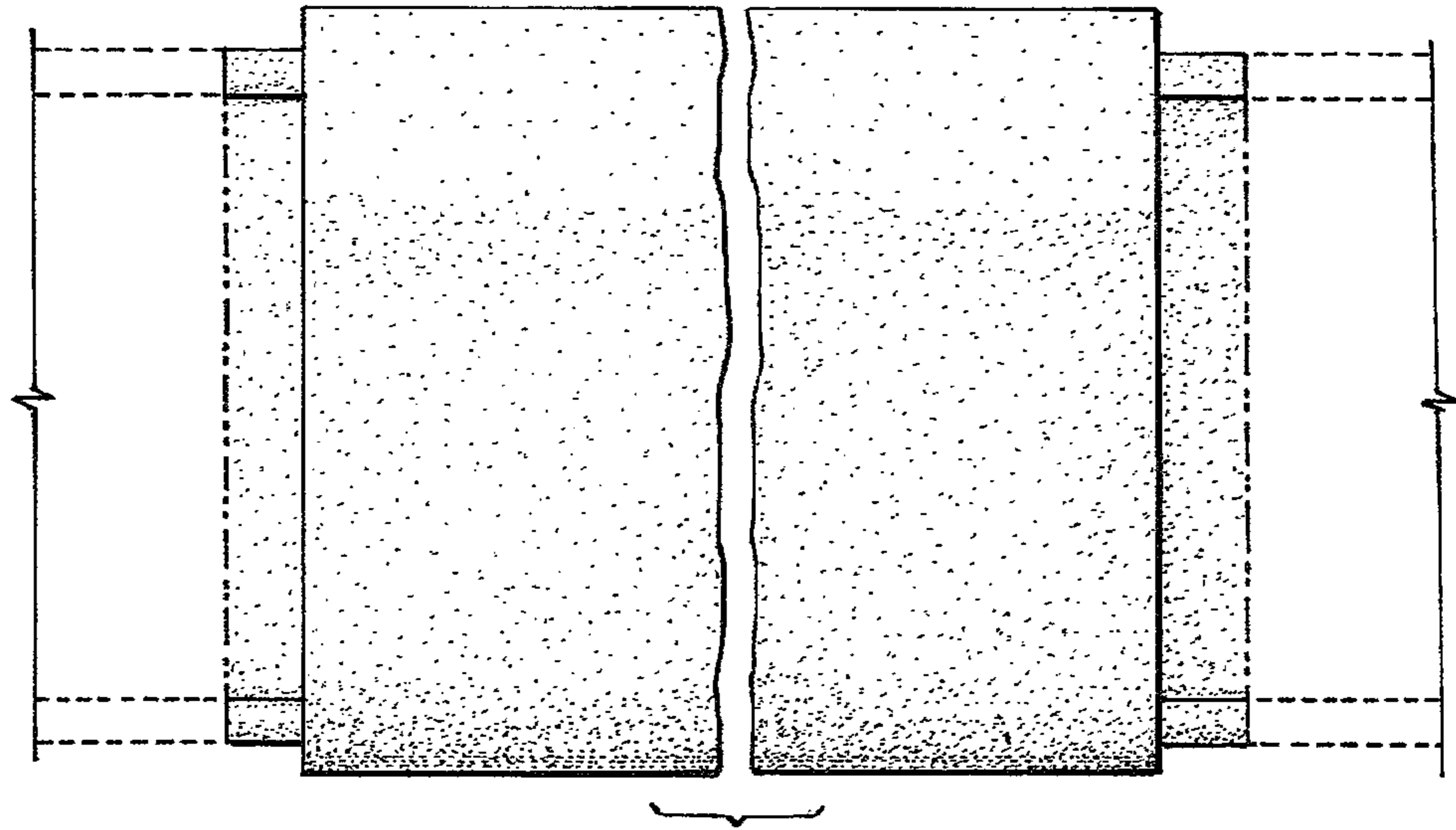


Fig. 4

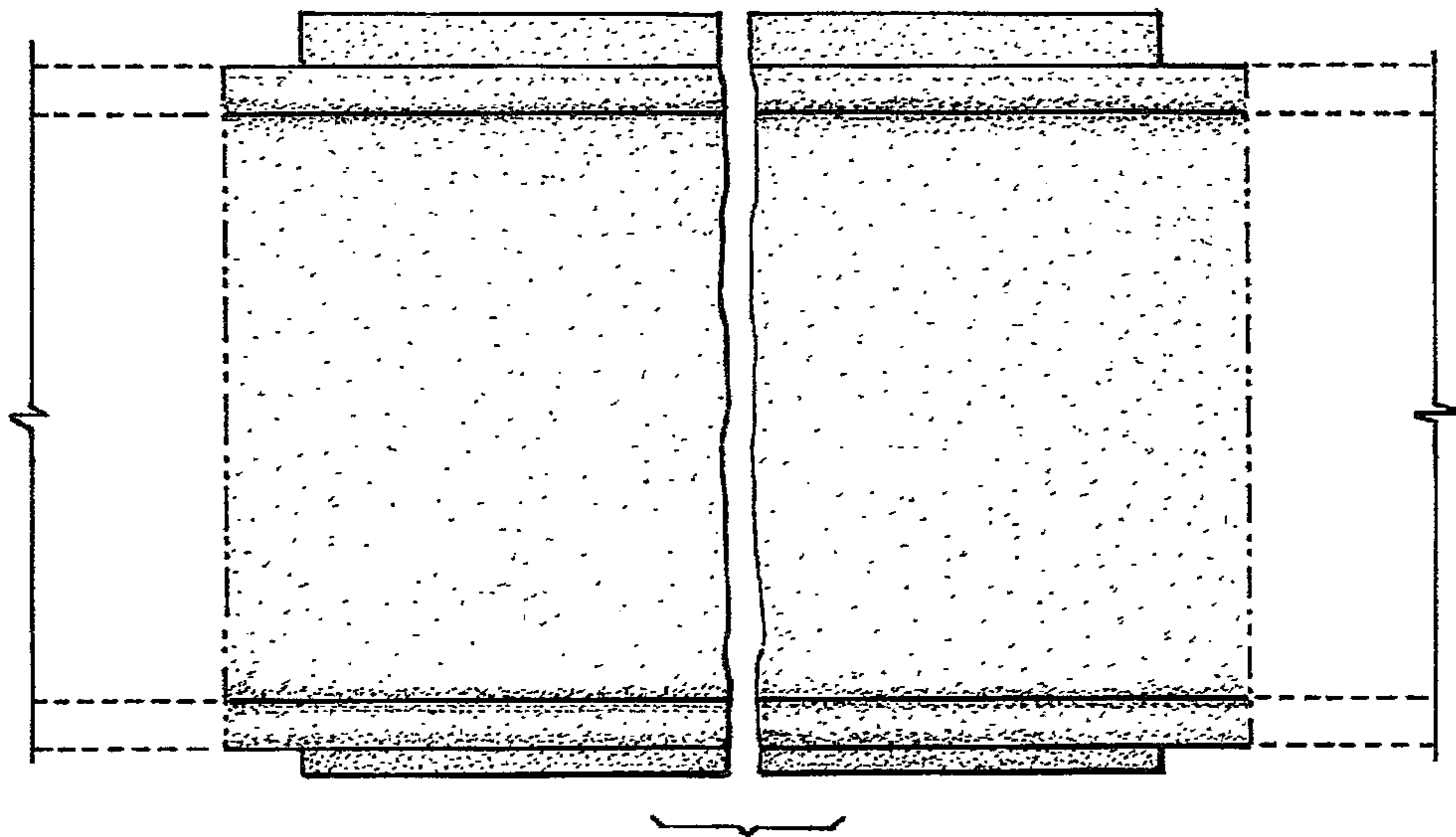


Fig. 5

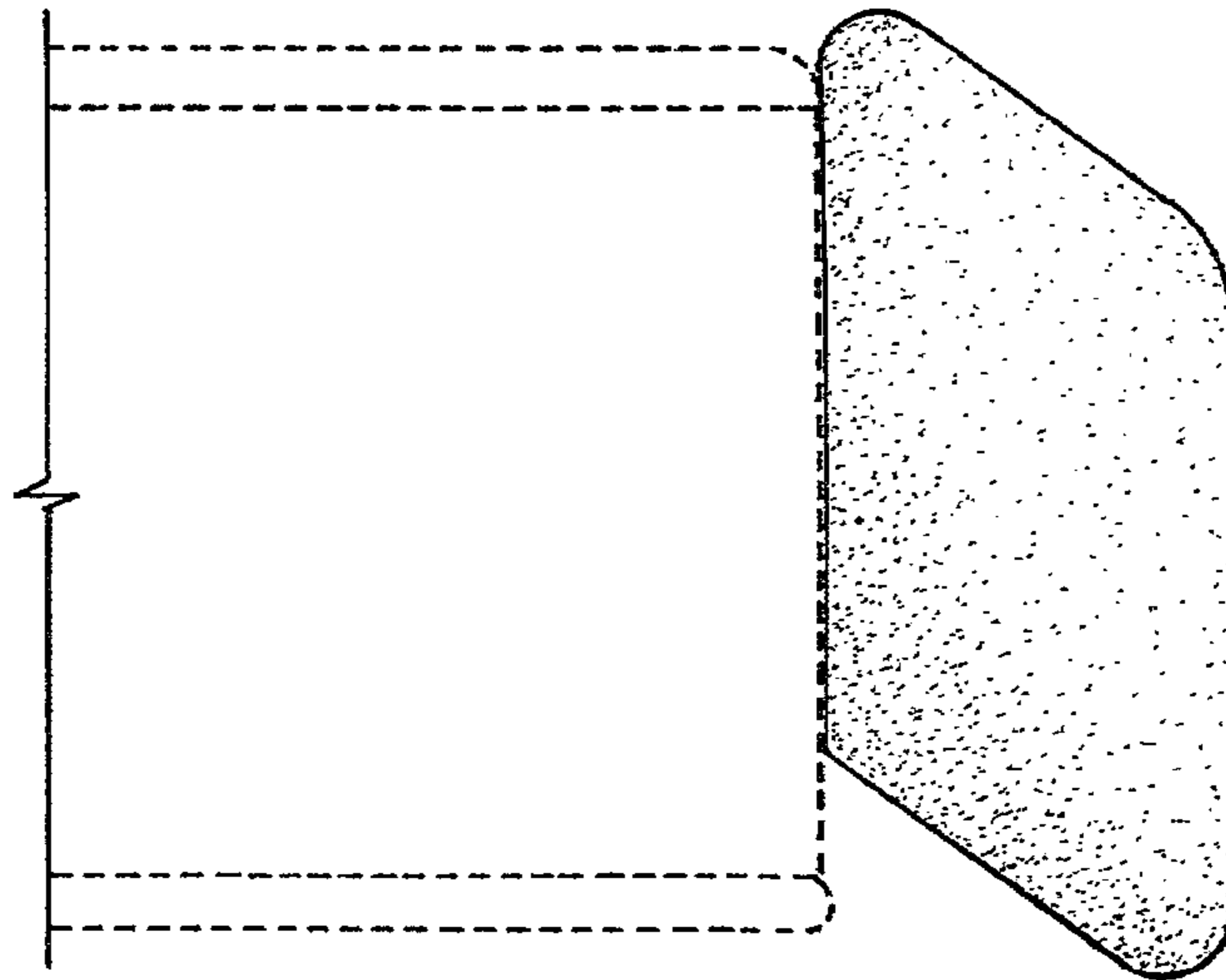


Fig. 6

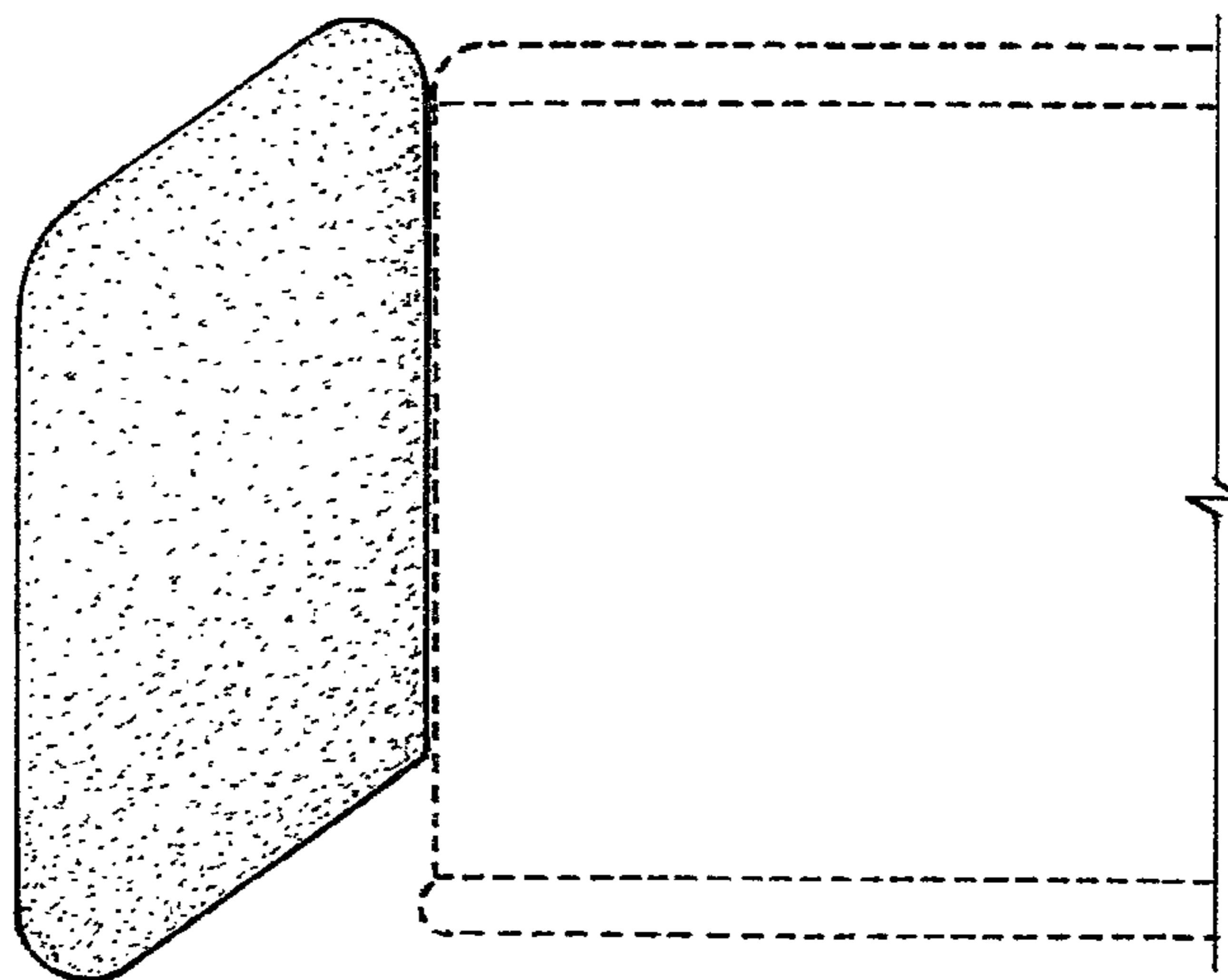


Fig. 7

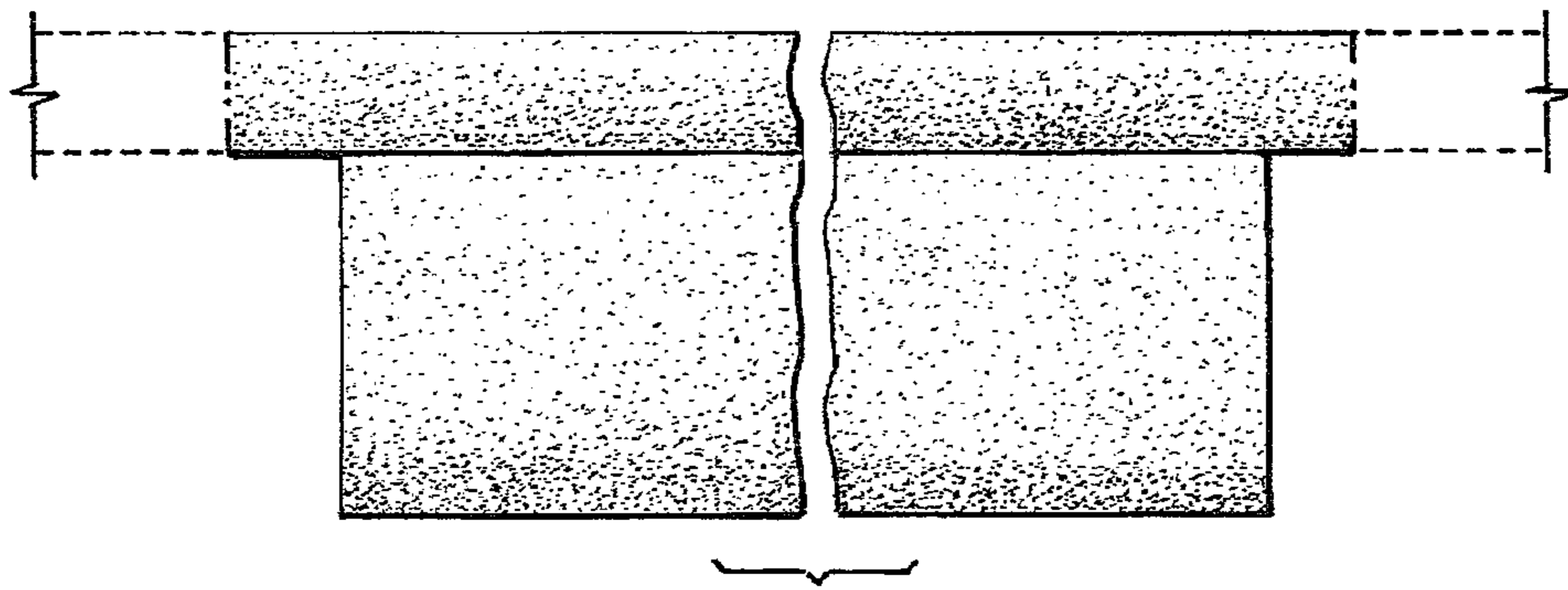


Fig. 8

