



US00D946771S

(12) **United States Design Patent**  
**Sato et al.**

(10) **Patent No.:** **US D946,771 S**  
(45) **Date of Patent:** **\*\* Mar. 22, 2022**

(54) **MOTION ASSISTING DEVICE**

(71) Applicant: **JTEKT CORPORATION**, Osaka (JP)

(72) Inventors: **Hisataka Sato**, Toyota (JP); **Atsushi Ando**, Kariya (JP); **Hiromichi Ohta**, Kariya (JP); **Nobuaki Shibata**, Ikoma-gun (JP); **Frédéric Dandault-Kamitani**, Kita (JP); **Takane Mitomi**, Nerima (JP)

(73) Assignee: **JTEKT CORPORATION**, Osaka (JP)

(\*\*) Term: **15 Years**

(21) Appl. No.: **29/752,981**

(22) Filed: **Sep. 29, 2020**

**Related U.S. Application Data**

(62) Division of application No. 29/627,256, filed on Nov. 24, 2017, now Pat. No. Des. 903,881.

**Foreign Application Priority Data**

May 26, 2017	(JP)	2017-011277
May 26, 2017	(JP)	2017-011278
May 26, 2017	(JP)	2017-011279
May 26, 2017	(JP)	2017-011280
May 26, 2017	(JP)	2017-011281
May 26, 2017	(JP)	2017-011282
Nov. 10, 2017	(JP)	2017-025084
Nov. 10, 2017	(JP)	2017-025085
Nov. 10, 2017	(JP)	2017-025086
Nov. 10, 2017	(JP)	2017-025087
Nov. 10, 2017	(JP)	2017-025088

(51) **LOC (13) Cl.** ..... **24-01**

(52) **U.S. Cl.**  
USPC ..... **D24/190; D29/101.1**

(58) **Field of Classification Search**

USPC ..... D24/112, 124-128, 132, 133, 185-193,  
D24/199, 200, 206, 209, 210, 212-215;  
D29/100, 108, 120.1, 121.1, 121.2, 101.1;  
D30/146, 144  
CPC ..... A61H 1/0244; A61H 1/0262  
See application file for complete search history.

(56) **References Cited**

**U.S. PATENT DOCUMENTS**

D340,542 S	10/1993	Marlowe
D453,398 S	2/2002	Masuda
D454,986 S	3/2002	Casebolt et al.
D548,401 S	8/2007	Tinao
D615,249 S	5/2010	McGuigan et al.

(Continued)

**OTHER PUBLICATIONS**

Twitter. Hoshino\_kanade\_. Nov. 29, 2017. [https://twitter.com/hoshino\\_kanade\\_/status/935794208853635072/photo/1](https://twitter.com/hoshino_kanade_/status/935794208853635072/photo/1) (Year: 2017).\*

*Primary Examiner* — Darcey E Gottschalk  
(74) *Attorney, Agent, or Firm* — Oblon, McClelland, Maier & Neustadt, L.L.P.

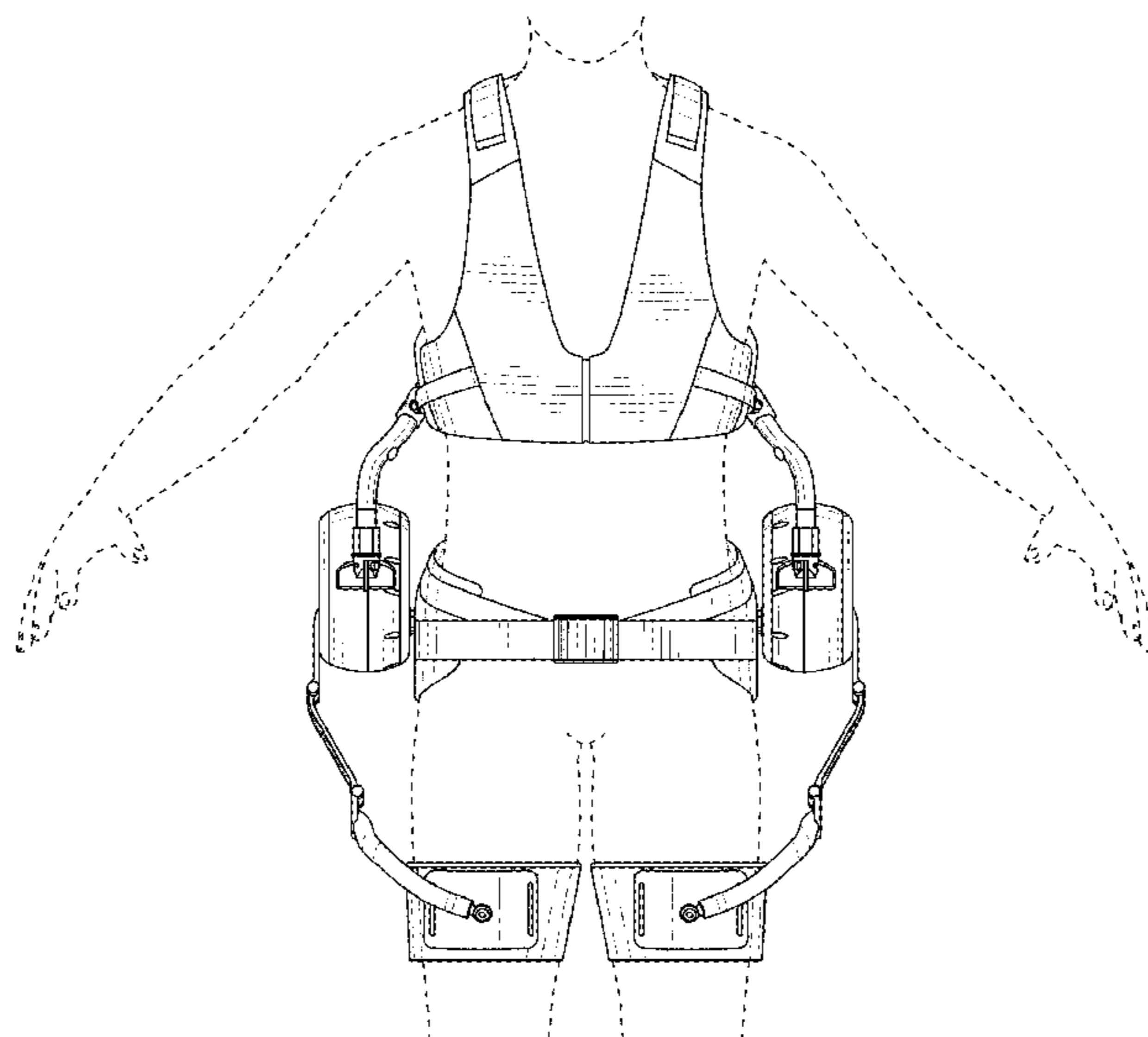
(57) **CLAIM**

The ornamental design for a motion assisting device, as shown and described.

**DESCRIPTION**

FIG. 1 is a front view of a motion assisting device showing our new design;  
FIG. 2 is a rear view thereof;  
FIG. 3 is a top view thereof;  
FIG. 4 is a bottom view thereof;  
FIG. 5 is a right view thereof, a left view being a mirror image thereof; and,  
FIG. 6 is a reference front view thereof showing usage state. In the drawings, the broken lines depict environment that forms no part of the claimed design.

**1 Claim, 6 Drawing Sheets**



(56)

**References Cited**

## U.S. PATENT DOCUMENTS

D713,997	S	9/2014	Daugherty	
D732,241	S	6/2015	Couzyn	
D733,359	S	6/2015	Kun	
D733,360	S	6/2015	Kun	
D733,969	S	7/2015	Kun	
D765,916	S	9/2016	Allan et al.	
D765,917	S	9/2016	Allan et al.	
D767,824	S	9/2016	Hilliard	
D779,738	S	2/2017	Chow et al.	
D781,430	S	3/2017	Konishi et al.	
D784,545	S	4/2017	Jangir	
D805,254	S	12/2017	Lopez	
D808,594	S	1/2018	Tien	
D810,951	S	2/2018	Tooke	
D824,110	S	7/2018	Stevens	
D831,276	S	10/2018	Pennington, Jr. et al.	
D852,969	S *	7/2019	Bobey .....	D24/200
D878,610	S *	3/2020	Boston .....	D24/190
D887,012	S *	6/2020	Son .....	D24/190
D887,013	S *	6/2020	Son .....	D24/190
D889,672	S *	7/2020	Takama .....	D24/190
D895,128	S *	9/2020	Khubani .....	D24/190
D901,023	S *	11/2020	Park .....	D24/190
D903,881	S *	12/2020	Ohta .....	D24/190
2009/0299243	A1 *	12/2009	Hirata .....	A61H 1/0244 602/23
2014/0200491	A1 *	7/2014	Julin .....	A61H 3/00 601/35
2018/0092792	A1	4/2018	Ohta et al.	
2018/0272525	A1	9/2018	Kumeno et al.	
2018/0338880	A1	11/2018	Ohta et al.	
2019/0192373	A1 *	6/2019	Vouga .....	A61H 1/0262
2019/0358807	A1 *	11/2019	Ohta .....	B25J 9/0006
2020/0179218	A1 *	6/2020	Katoh .....	A61H 1/0244

\* cited by examiner

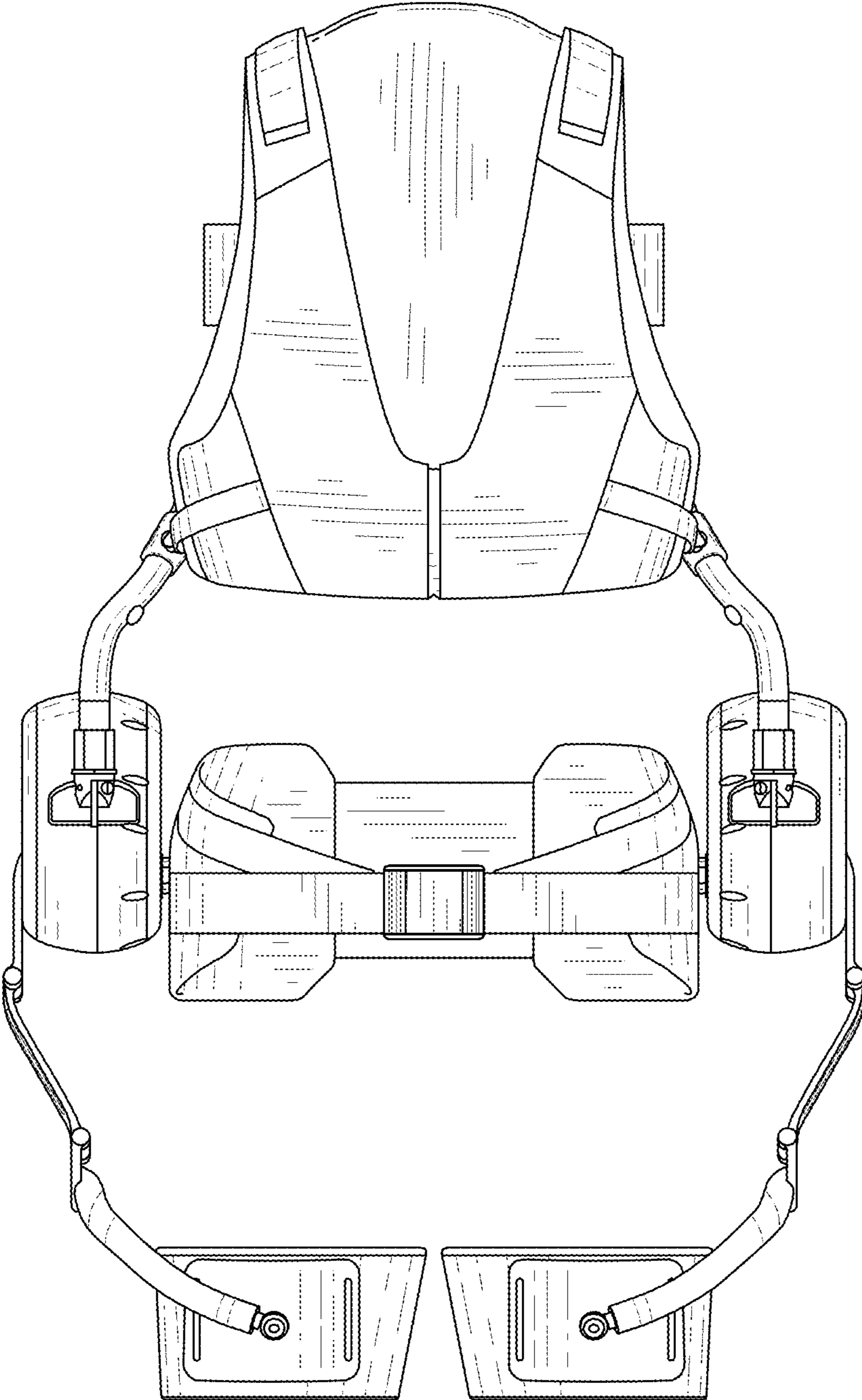


FIG. 1

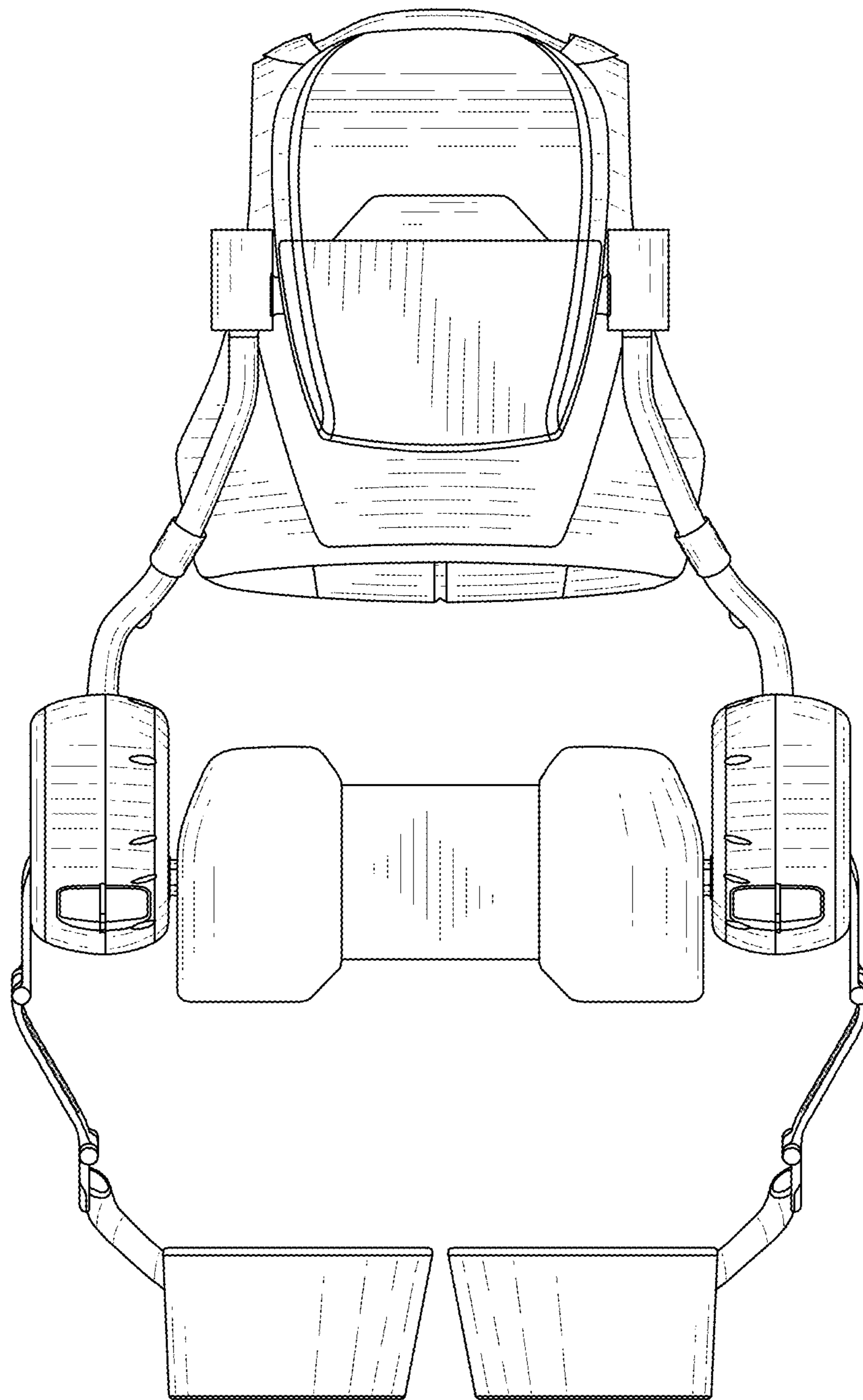


FIG. 2

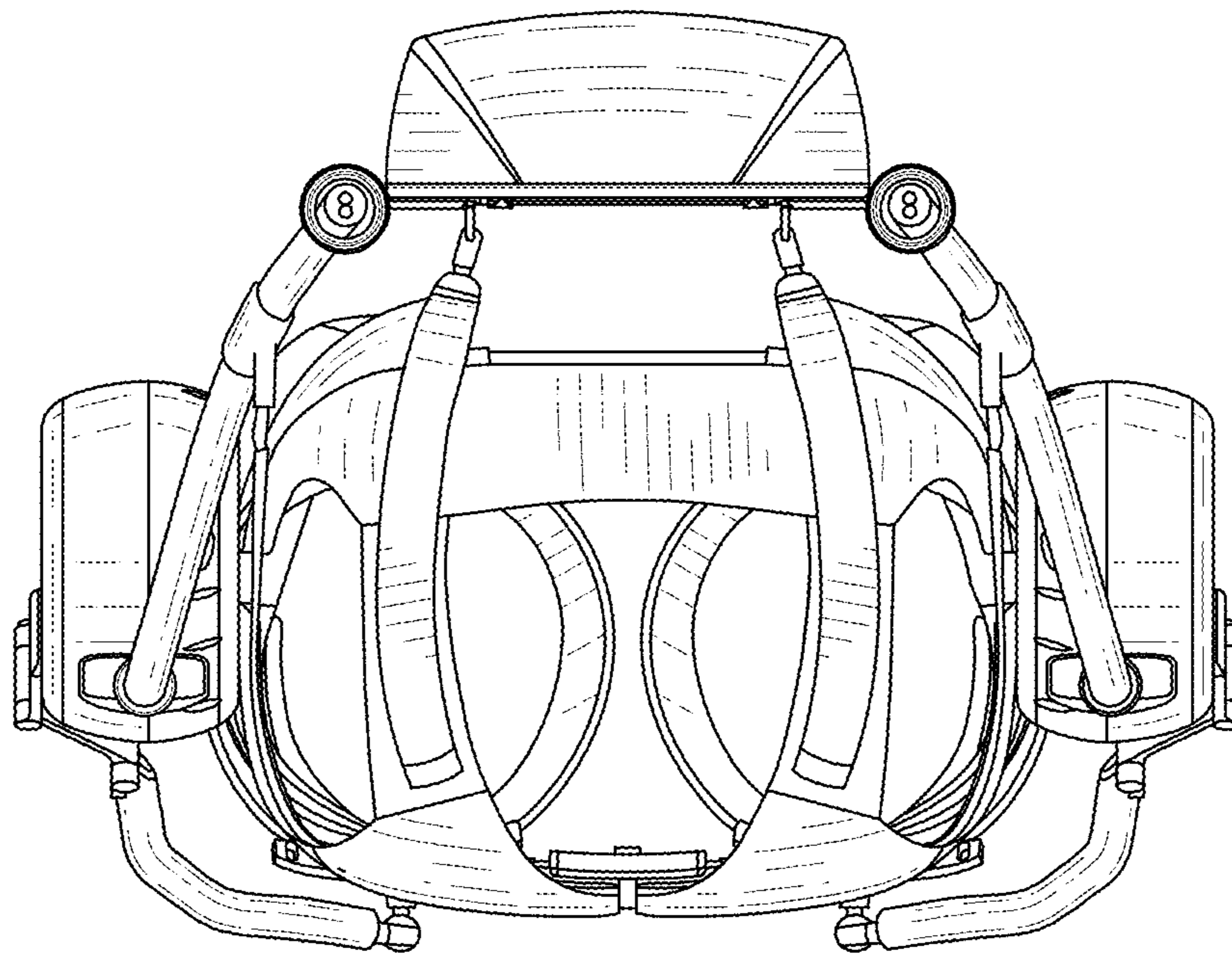


FIG. 3

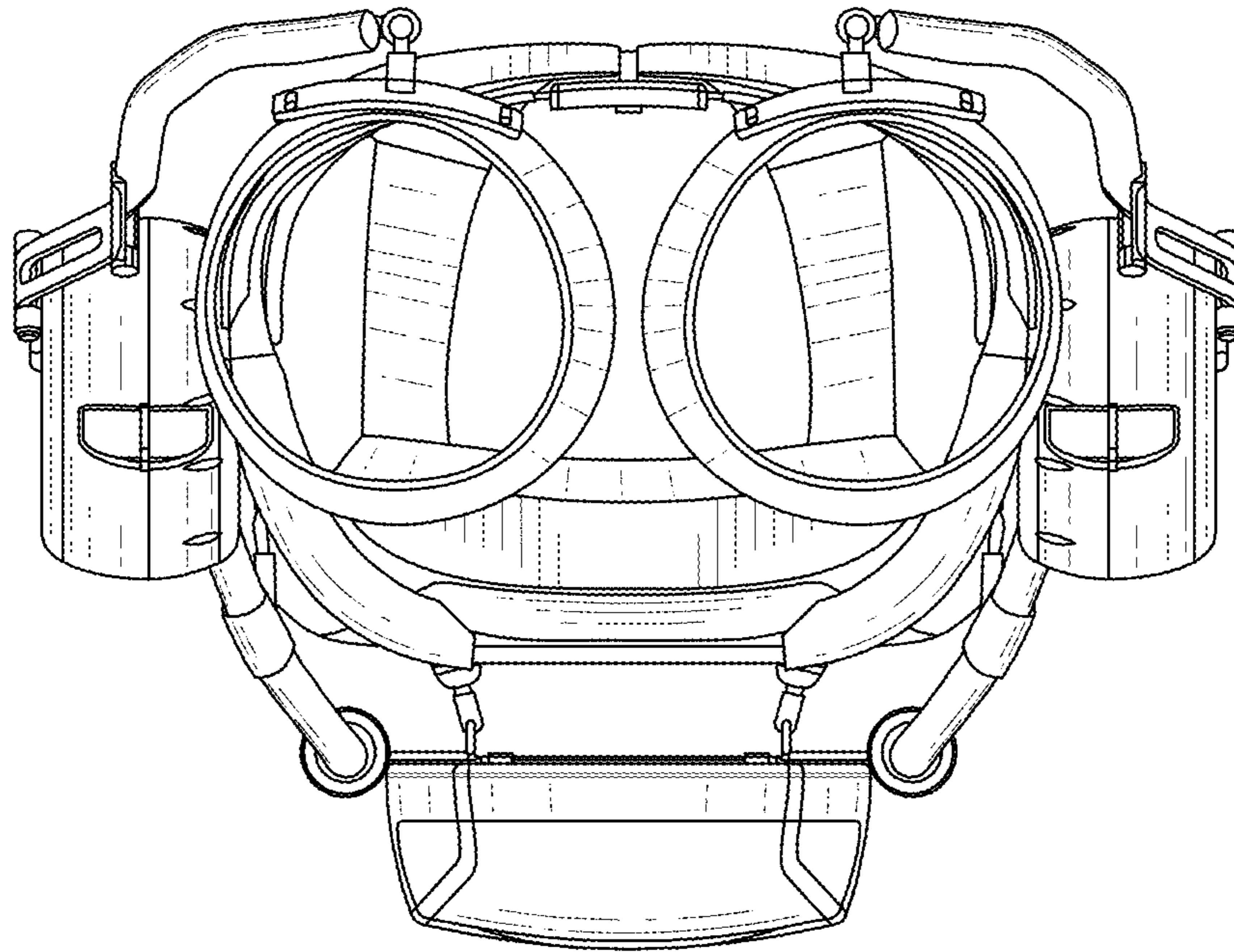


FIG. 4

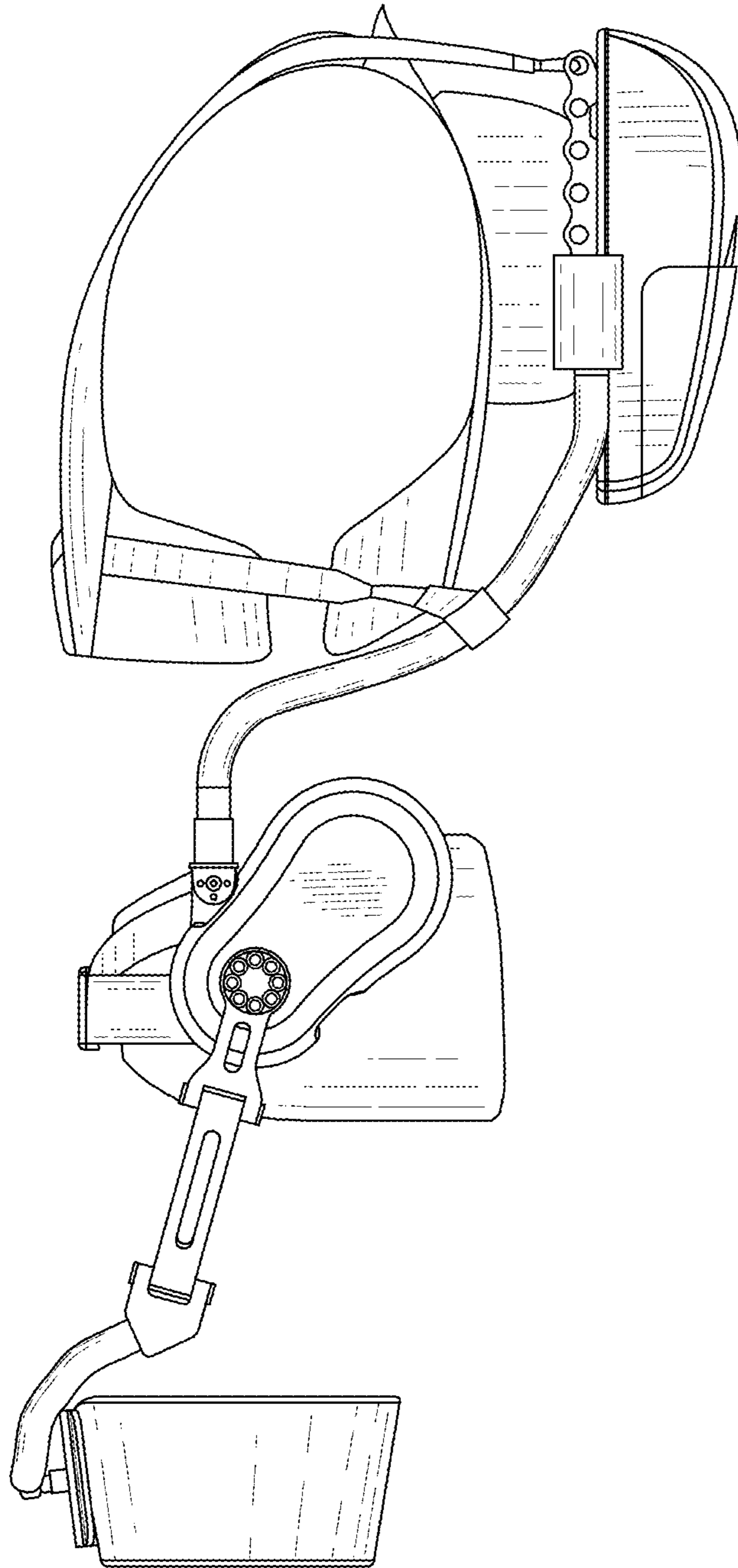


FIG. 5

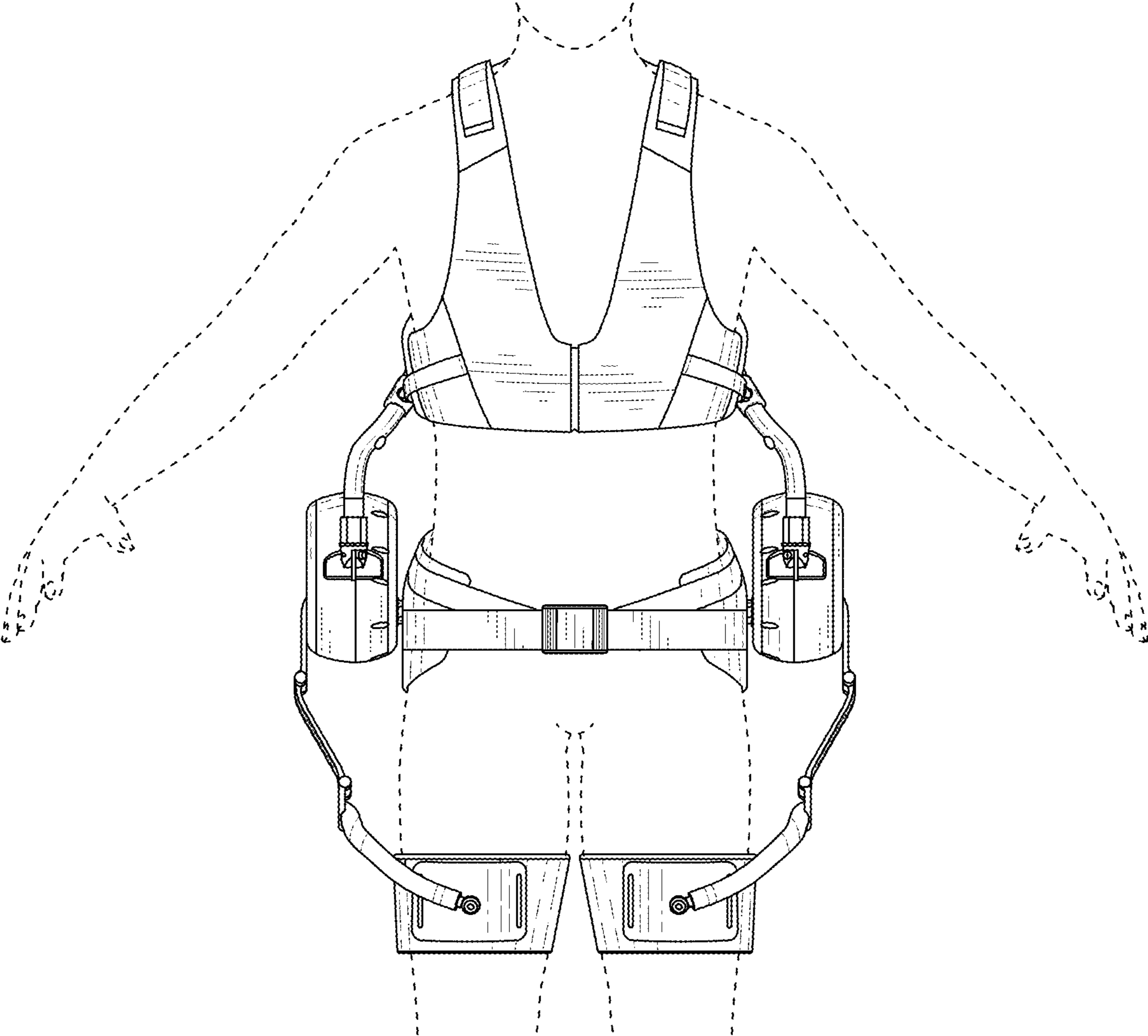


FIG. 6