

US00D946769S

(12) **United States Design Patent**
Stearns

(10) **Patent No.:** **US D946,769 S**
(45) **Date of Patent:** **** Mar. 22, 2022**

(54) **EPICONDYLITIS SUPPORT**

(71) Applicant: **Jeffrey Brian Stearns**, Hopatcong, NJ
(US)

(72) Inventor: **Jeffrey Brian Stearns**, Hopatcong, NJ
(US)

(73) Assignee: **BULLSEYE BRACE, INC.**

(**) Term: **15 Years**

(21) Appl. No.: **29/739,384**

(22) Filed: **Jun. 24, 2020**

(51) **LOC (13) Cl.** **24-02**

(52) **U.S. Cl.**
USPC **D24/190**

(58) **Field of Classification Search**
USPC D24/188-193, 206; D29/121.1;
D39/120.1
CPC A61F 13/108; A61F 5/0118; A61F 5/0125;
A61F 5/01; A61F 5/05841; A61F
5/05858; A41D 13/08; A41D 13/0568
See application file for complete search history.

(56) **References Cited**

U.S. PATENT DOCUMENTS

D272,754 S * 2/1984 Brewer D21/791
4,466,428 A * 8/1984 McCoy A61F 13/062
602/26

(Continued)

FOREIGN PATENT DOCUMENTS

CN 304511321 * 2/2018

OTHER PUBLICATIONS

Futuro—70005141596 Futuro Custom Pressure Elbow Strap, Ideal for Tennis Elbow and Tendonitis, Futuro, Amazon, [Post Date Feb. 1, 2013], [Site seen Dec. 8, 2021], Seen at URL: https://www.amazon.com/Futuro-Custom-Tennis-Stabilizing-Support/dp/B00B994L6A/ref=asc_df_B00B994L6A/ (Year: 2013).*

[amazon.com/Futuro-Custom-Tennis-Stabilizing-Support/dp/B00B994L6A/ref=asc_df_B00B994L6A/](https://www.amazon.com/Futuro-Custom-Tennis-Stabilizing-Support/dp/B00B994L6A/ref=asc_df_B00B994L6A/) (Year: 2013).*

(Continued)

Primary Examiner — Natasha Vujcic
Assistant Examiner — Gilbert B Ford
(74) *Attorney, Agent, or Firm* — Quickpatents, LLC;
Kevin Prince

(57) **CLAIM**

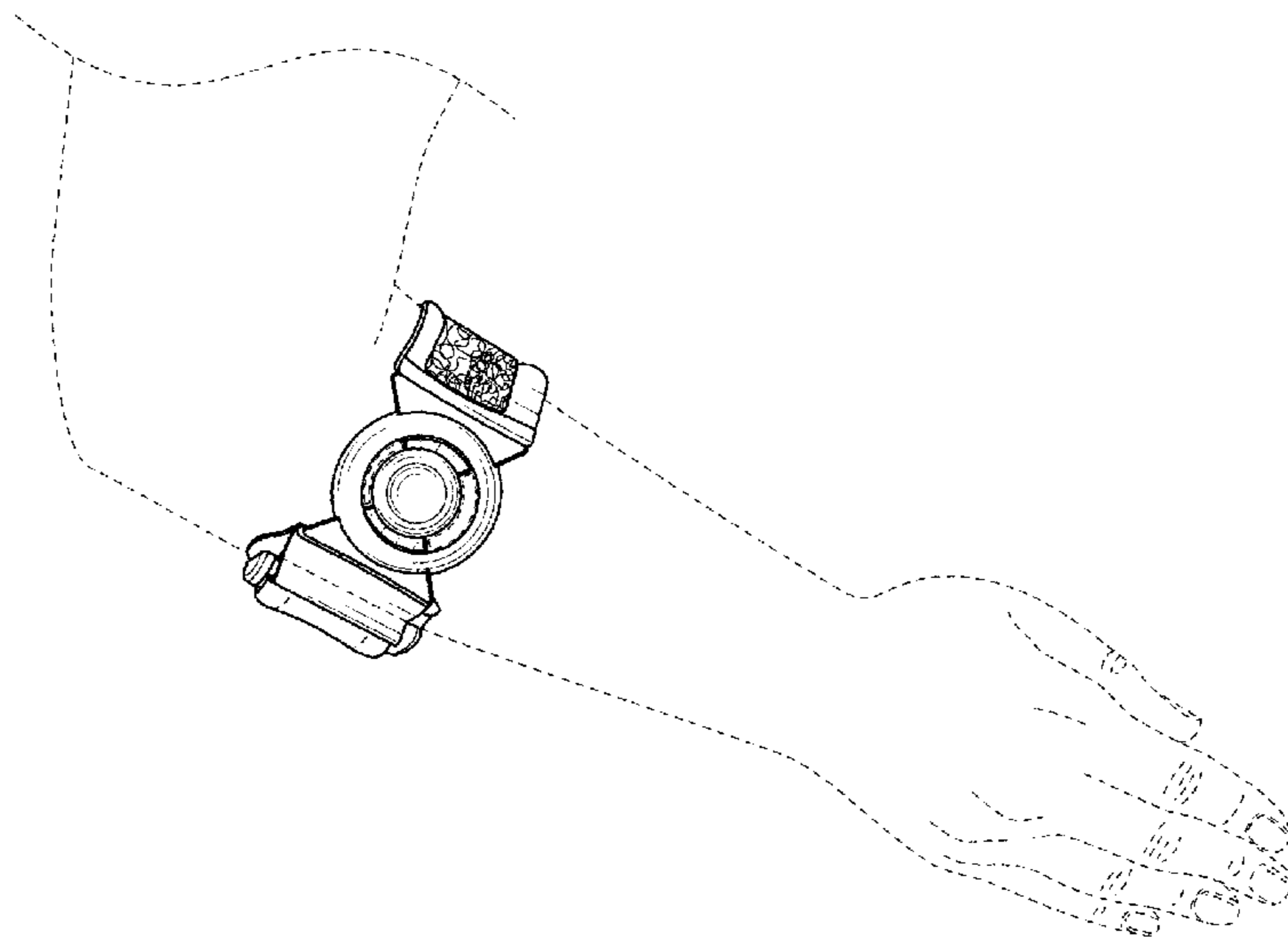
The ornamental design for an epicondylitis support, as shown and described.

DESCRIPTION

FIG. 1 is a perspective view of an epicondylitis support, showing my new design configured for use;
FIG. 2 is a top perspective view thereof, illustrated in a flat configuration;
FIG. 3 is a bottom perspective view of FIG. 2;
FIG. 4 is a top plan view of FIG. 2;
FIG. 5 is a bottom plan view of FIG. 2;
FIG. 6 is a front elevational view of FIG. 2;
FIG. 7 is a rear elevational view of FIG. 2;
FIG. 8 is a left-side elevational view thereof;
FIG. 9 is a rear elevational view thereof;
FIG. 10 is a top perspective view of a ring assembly thereof, a strap portion of the design omitted for clarity of illustration;
FIG. 11 is a top plan view of FIG. 10;
FIG. 12 is a cross-sectional view thereof, taken along line 12-12 of FIG. 11;
FIG. 13 is a bottom perspective view of FIG. 10;
FIG. 14 is a bottom plan view of FIG. 10; and,
FIG. 15 is a cross-sectional view thereof, taken along line 15-15 of FIG. 14.

The broken lines showing a person in FIG. 1 depict environmental matter and form no part of the claimed design. The remaining broken lines depict portions of the epicondylitis support that form no part of the claimed design.

1 Claim, 7 Drawing Sheets



(56)

References Cited

U.S. PATENT DOCUMENTS

5,410,780 A * 5/1995 Silagy A44B 11/02
24/163 K
D362,920 S * 10/1995 Schwartz D26/39
D390,961 S * 2/1998 Walker D24/190
5,971,947 A * 10/1999 McNally A61F 13/108
602/14
D455,213 S * 4/2002 Weaver, II D24/190
D546,953 S * 7/2007 Young D24/190
D548,350 S * 8/2007 Jordan D24/190
D706,429 S * 6/2014 Julian D24/190
D706,939 S * 6/2014 Weaver, II D24/190
9,278,021 B2 * 3/2016 Weaver, II A61H 1/008
D753,837 S * 4/2016 Sigurdsson D24/190
D891,706 S * 7/2020 Lee D29/120.1
D910,858 S * 2/2021 Marton D24/190
D923,184 S * 6/2021 Li D24/190
2006/0020237 A1 * 1/2006 Nordt, III A61F 5/32
602/60
2007/0239092 A1 * 10/2007 Ross A61F 5/32
602/20

OTHER PUBLICATIONS

ACE-904011 Brand Custom Dial Elbow Strap,1 Count, ACE,
Amazon, [Post date: Oct. 8, 2013], [Site seen Dec. 8, 2021], Seen
at URL: [https://www.amazon.com/dp/B00FQT3QQ0/ref=sspa_dk_](https://www.amazon.com/dp/B00FQT3QQ0/ref=sspa_dk_detail_3)
[detail_3](https://www.amazon.com/dp/B00FQT3QQ0/ref=sspa_dk_detail_3) (Year: 2013).*

* cited by examiner

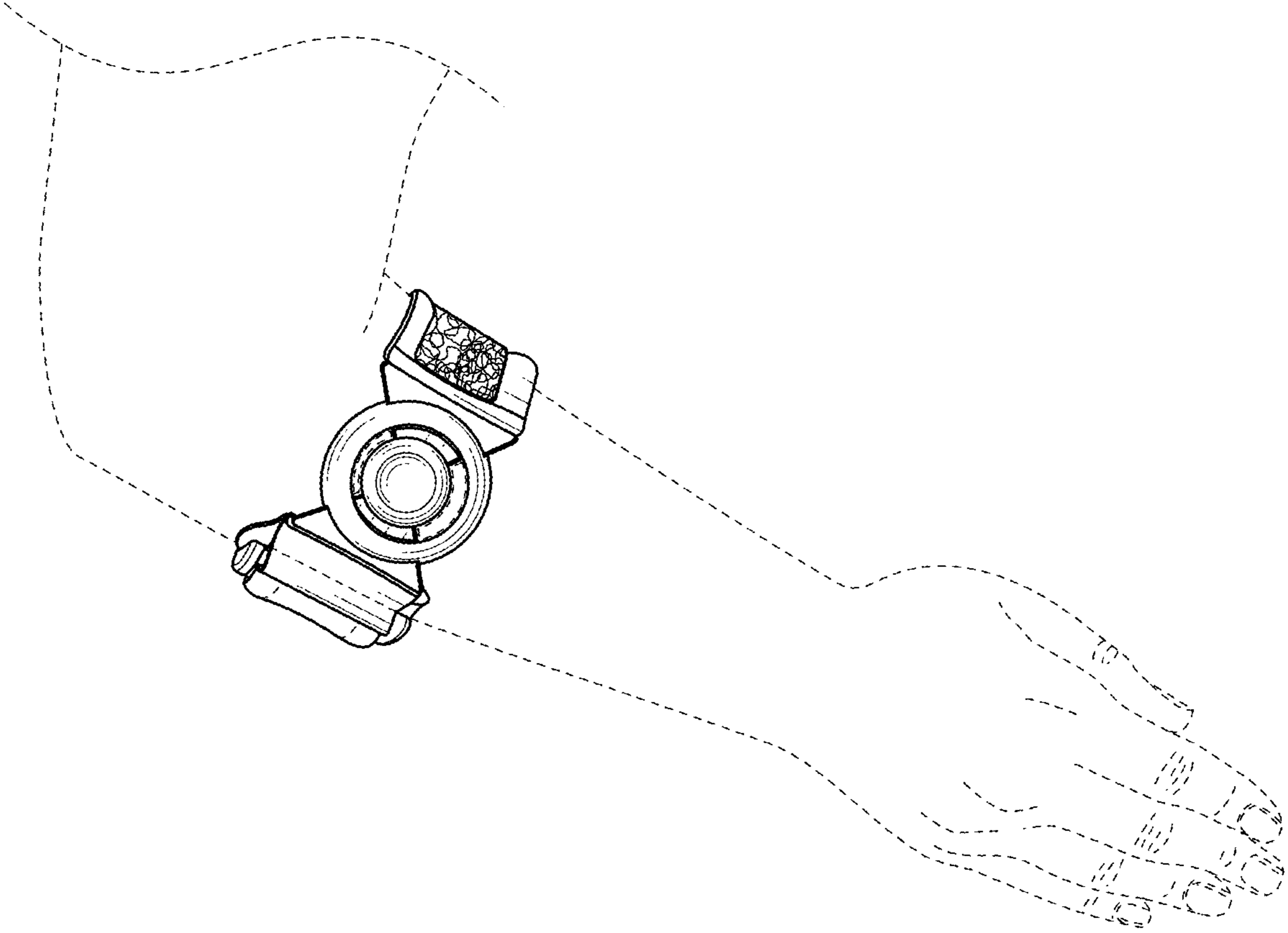


FIG. 1

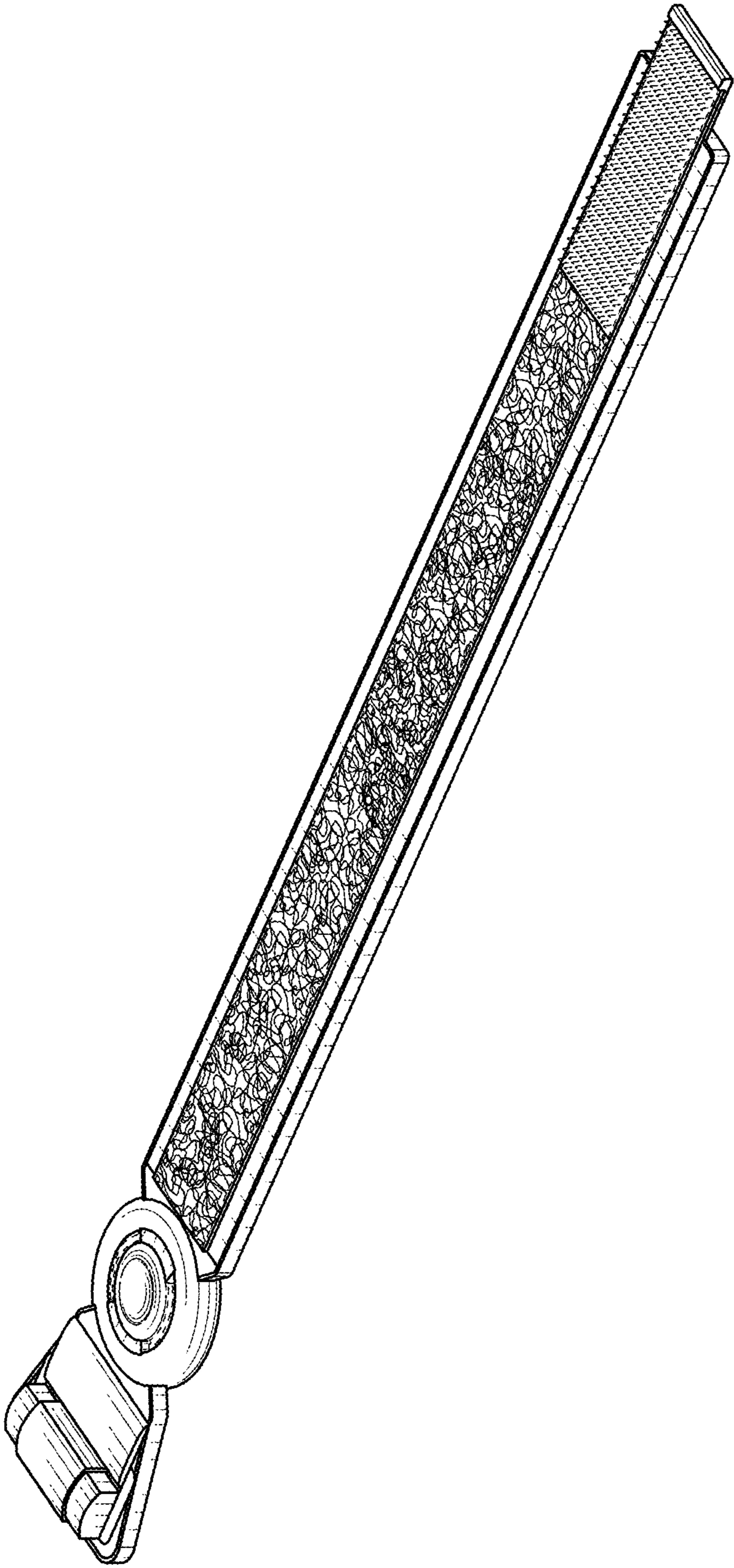


FIG. 2

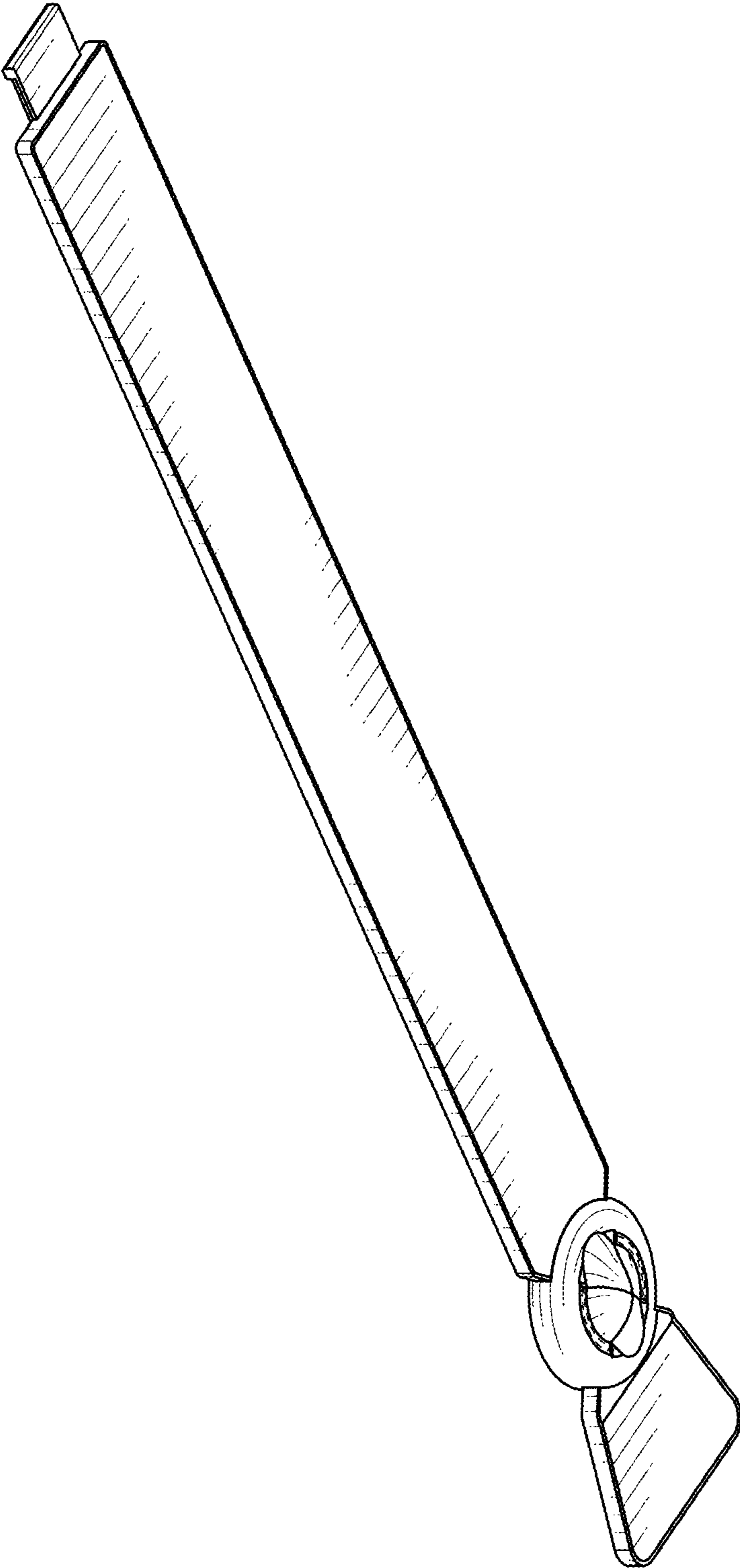


FIG. 3

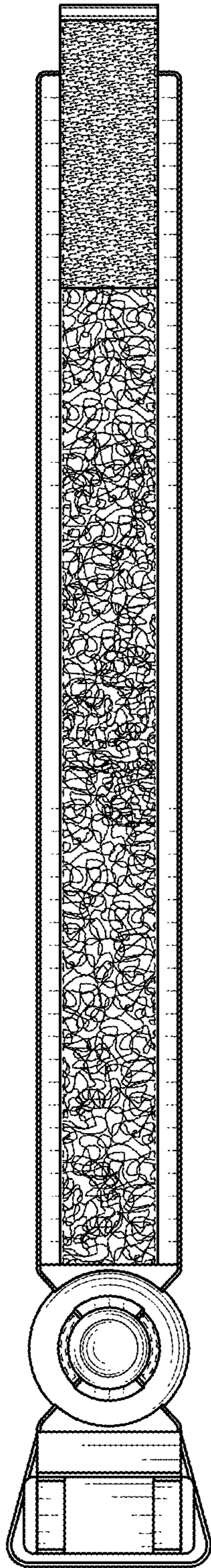


FIG. 4

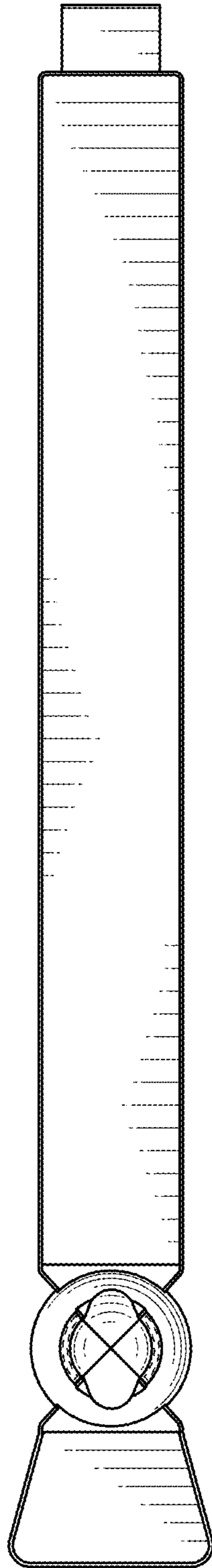


FIG. 5

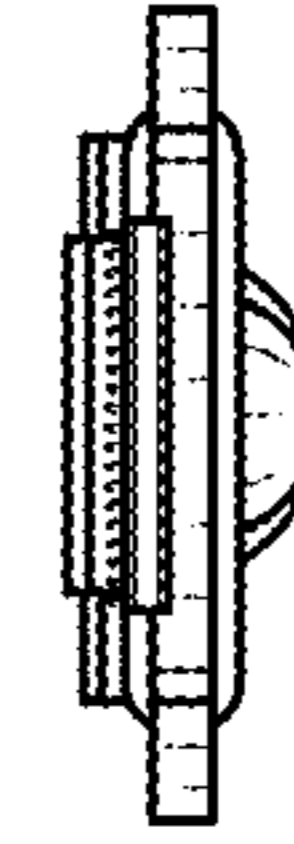


FIG. 7



FIG. 6

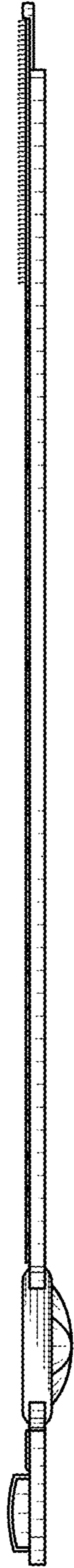


FIG. 8

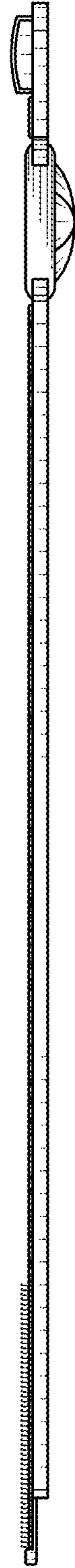


FIG. 9

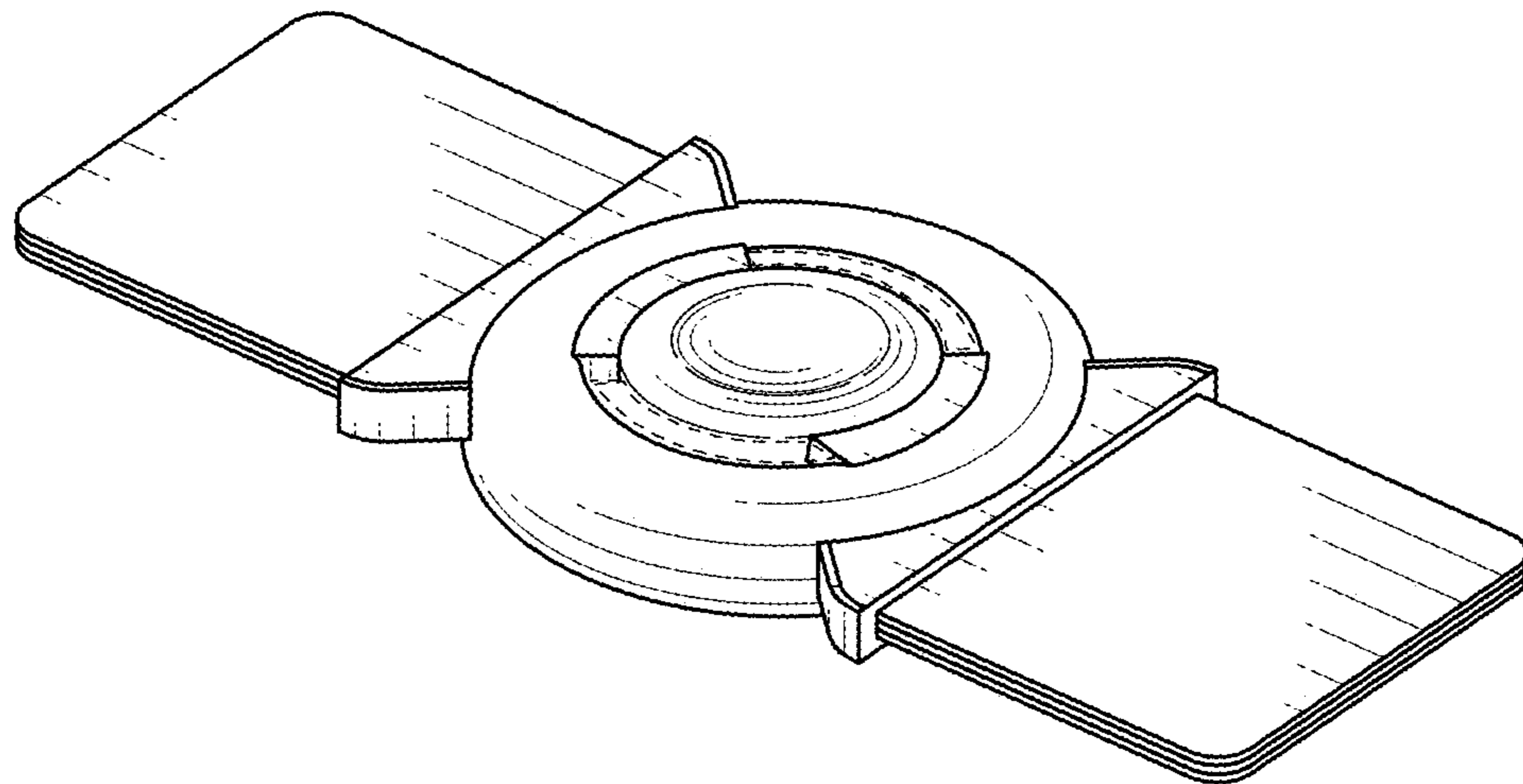


FIG. 10

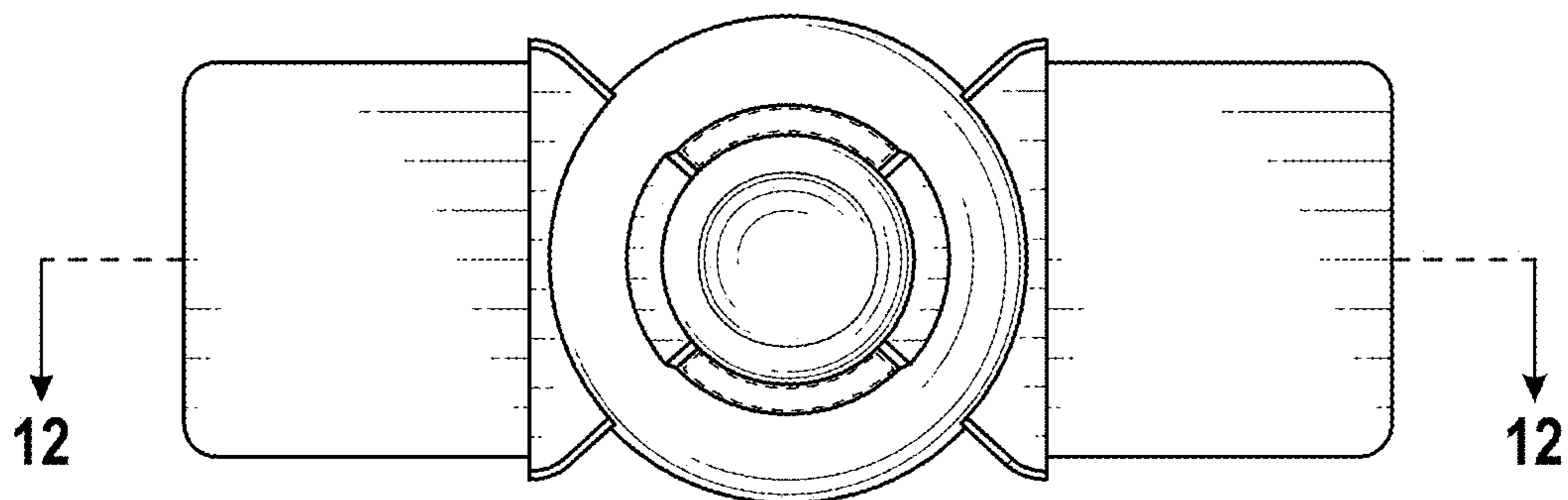


FIG. 11

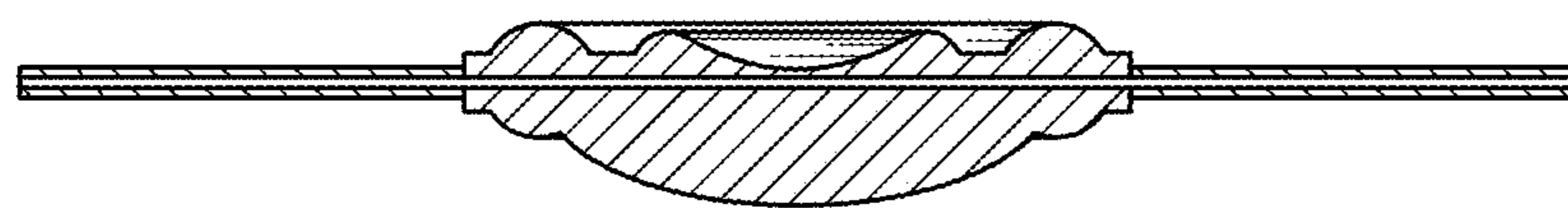


FIG. 12

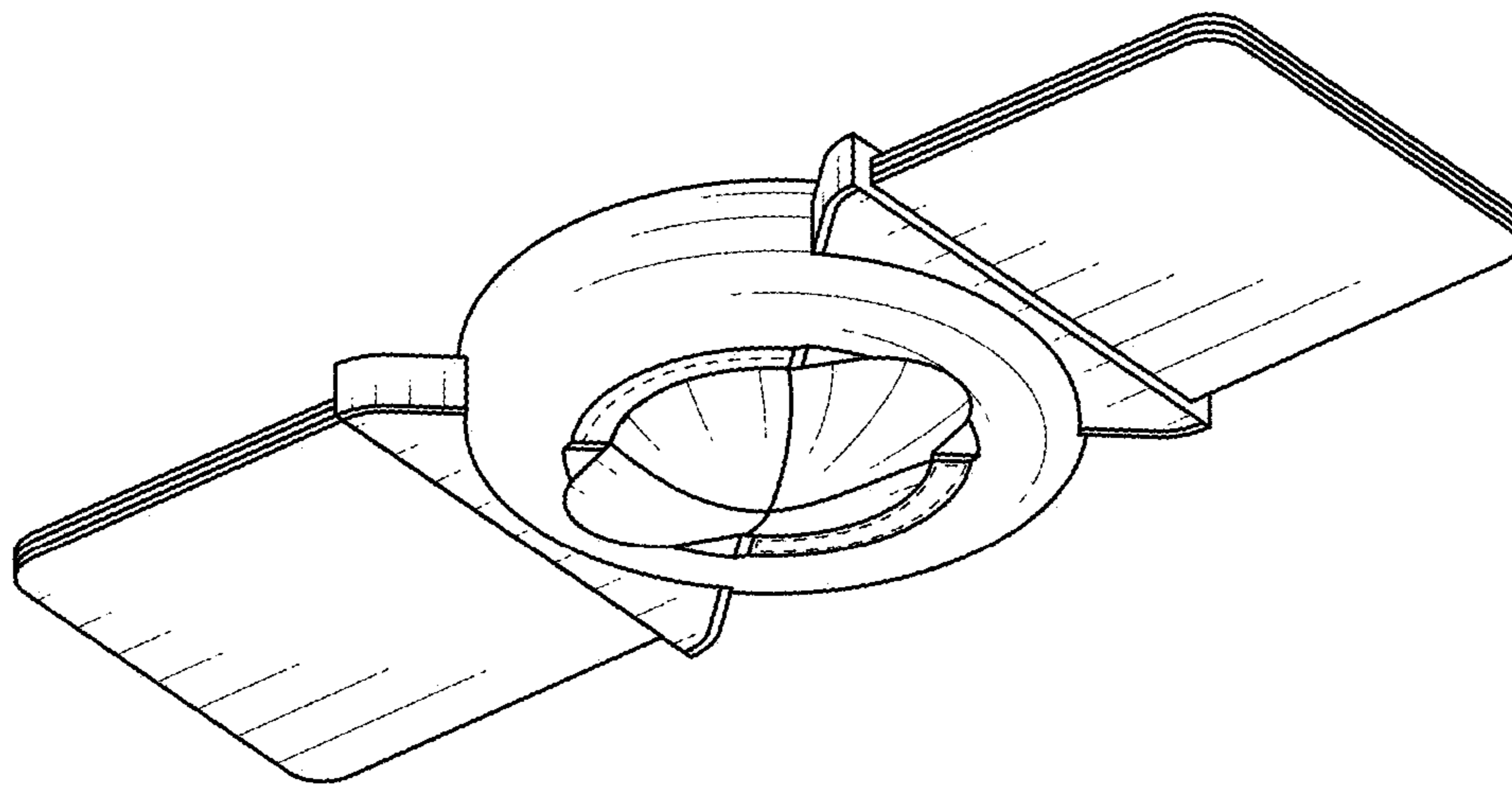


FIG. 13

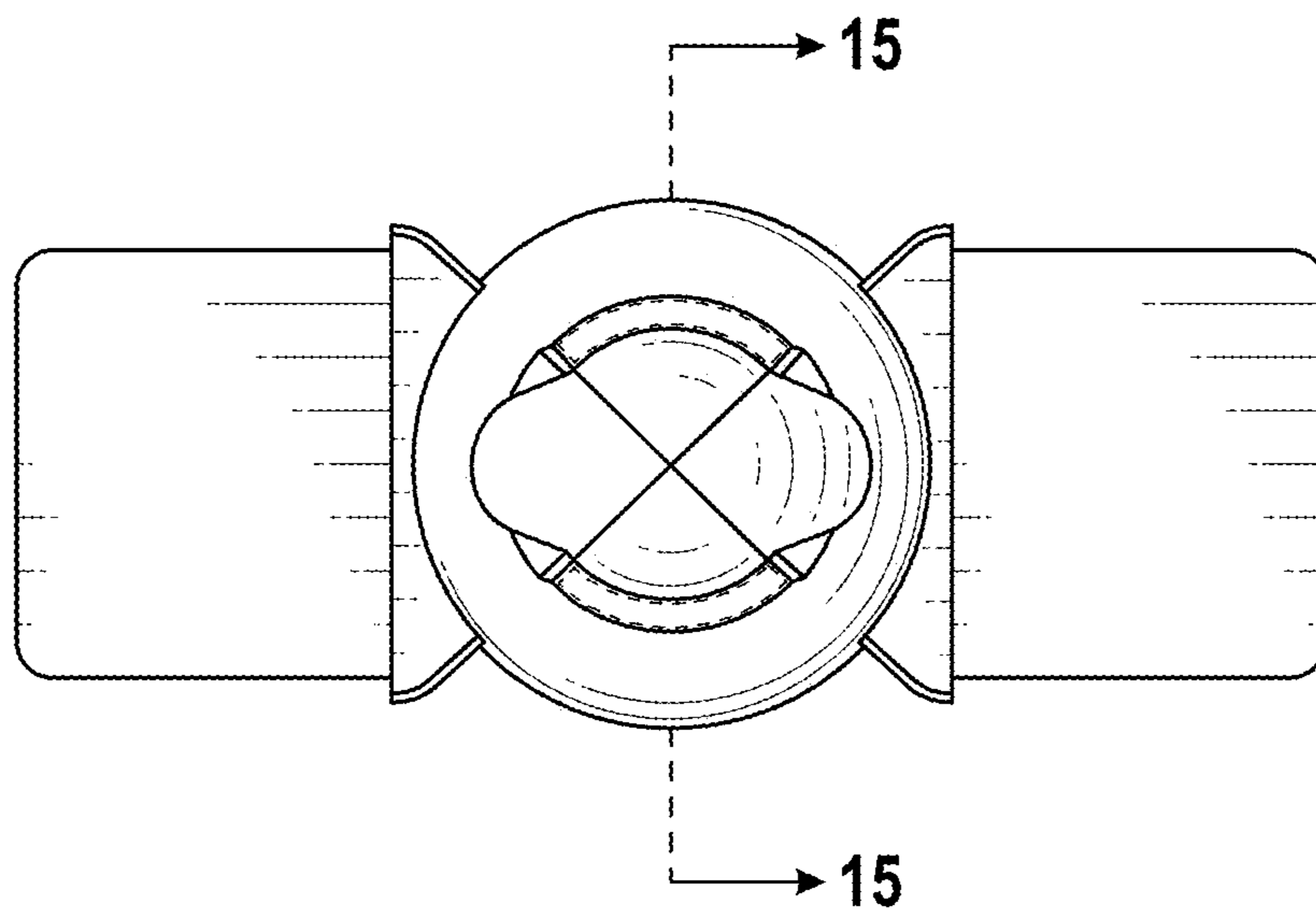


FIG. 14

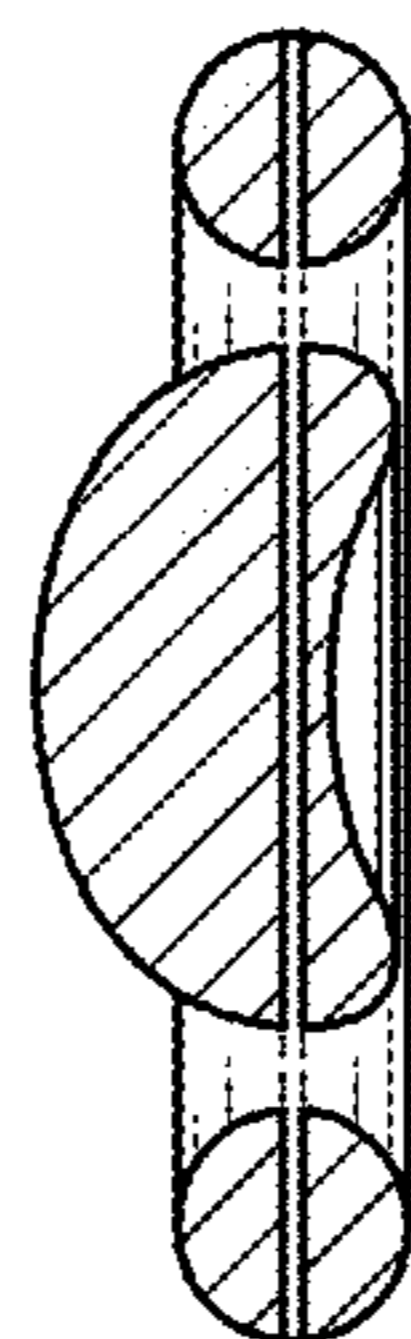


FIG. 15