



US00D946768S

(12) **United States Design Patent**
Kemper et al.

(10) **Patent No.:** **US D946,768 S**
(45) **Date of Patent:** **** Mar. 22, 2022**

(54) **ENCLOSURE DEVICE FOR DELIVERING AN IMPLANTABLE SHEET-LIKE REPAIR DEVICE**

FOREIGN PATENT DOCUMENTS

CA 100554 * 8/2003
WO 2013/122568 A1 8/2013

(71) Applicant: **EMBODY, INC.**, Norfolk, VA (US)

OTHER PUBLICATIONS

(72) Inventors: **Nathan Kemper**, Norfolk, VA (US);
Michael Francis, Norfolk, VA (US);
Christy Nelson, Norfolk, VA (US); **Yas Maghdouri-White**, Norfolk, VA (US)

Cardboard hanger folding swing sock tags for sock show, Yiwu Dilin Paper Products Co., Ltd., [Postdate unknown], [Site seen Nov. 4, 2021/, Seen at URL: https://www.alibaba.com/product-detail/cardboard-hanger-folding-swing-sock-tags_60715710331.html (Year: 2021).*

(**) Term: **15 Years**

(Continued)

(21) Appl. No.: **29/743,825**

Primary Examiner — Natasha Vujcic
Assistant Examiner — Gilbert B Ford

(22) Filed: **Jul. 24, 2020**

(74) *Attorney, Agent, or Firm* — J.A. Lindeman & Co. PLLC

(51) **LOC (13) Cl.** **24-02**

(52) **U.S. Cl.**
USPC **D24/189**; D9/433

(57) **CLAIM**

(58) **Field of Classification Search**
USPC D24/188–189, 225, 231; D9/415–420,
D9/426, 432–433, 444, 457, 722;
D19/1–3, 9–11, 86; D20/22, 42–43
CPC A61B 17/06138; A61B 2017/06142; A61F
2/00; B65D 75/04; B65D 75/20; B65D
81/02; B65D 81/3813

The ornamental design for an enclosure device for delivering an implantable sheet-like repair device, as shown and described herein.

See application file for complete search history.

DESCRIPTION

(56) **References Cited**

U.S. PATENT DOCUMENTS

3,994,085 A * 11/1976 Groselak G09F 3/04
40/665
4,496,045 A 1/1985 Ferguson
5,219,077 A 6/1993 Transue
D372,046 S * 7/1996 Gibson D19/3
D394,387 S * 5/1998 Williams D9/433
D489,255 S * 5/2004 Kratzert D9/432
D535,557 S * 1/2007 Fath D9/432
D555,511 S * 11/2007 Warmka D9/722
D622,587 S * 8/2010 Schumann D9/415

FIG. 1 is a front view of an enclosure device for delivering an implantable sheet-like repair device in accordance with our new design.

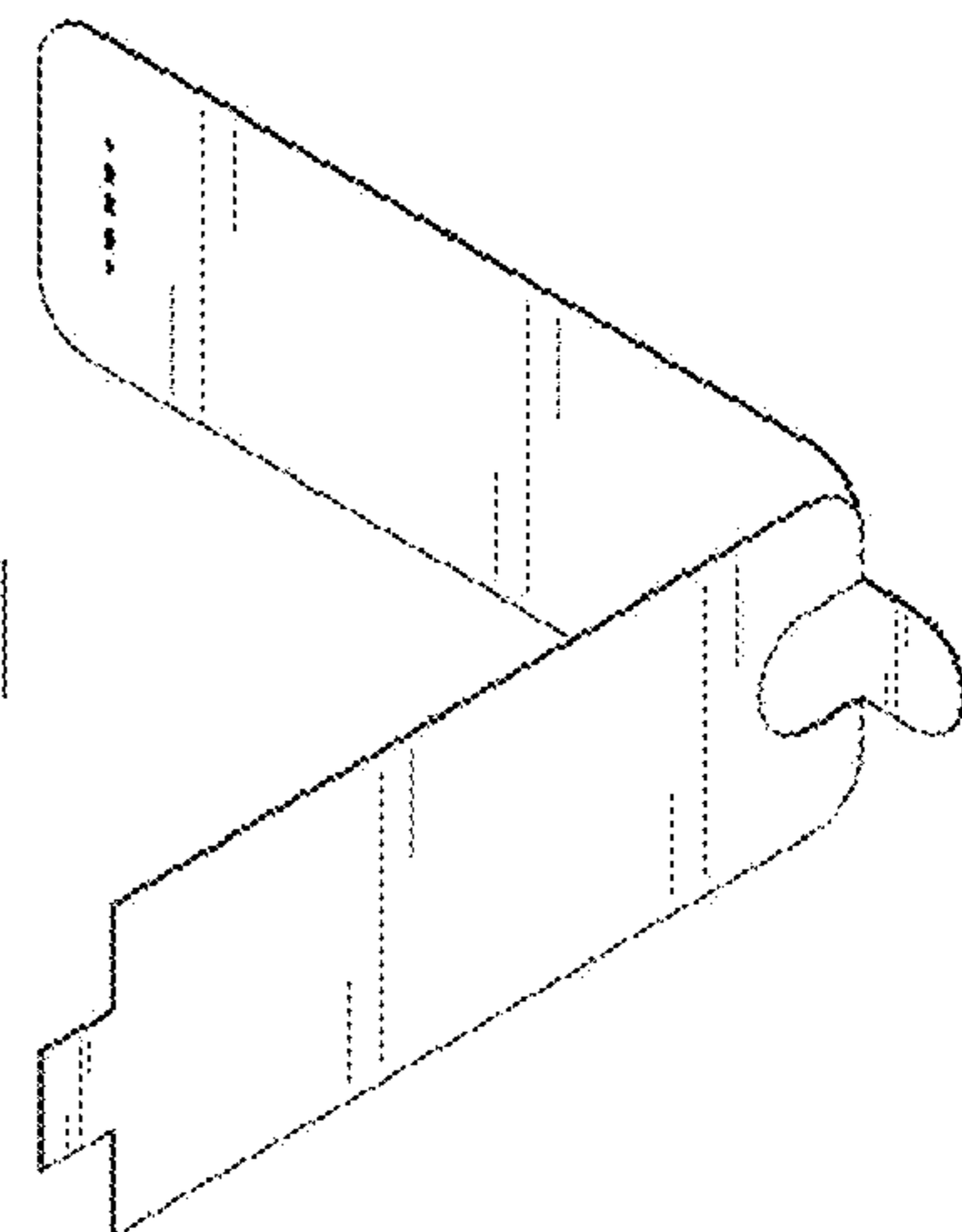
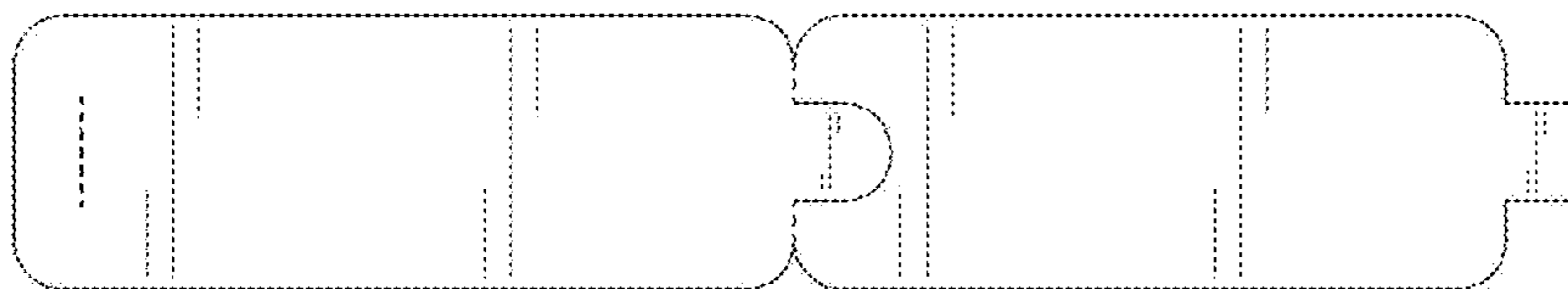
FIG. 2 is a front right side perspective view of the enclosure device for delivering an implantable sheet-like repair device in partially folded state of FIG. 1.

FIG. 3 is a front view of the enclosure device for delivering an implantable sheet-like repair device in fully folded state of FIG. 1; and,

FIG. 4 is a rear view of the enclosure device for delivering an implantable sheet-like repair device in fully folded state of FIG. 1.

The irregular broken lines in FIGS. 1-4 are intended to indicate surface contour, fold lines and slits; the broken lines form no part of the claimed design.

1 Claim, 4 Drawing Sheets



(56)

References Cited

U.S. PATENT DOCUMENTS

D647,395 S * 10/2011 Mitten D9/420
D685,635 S * 7/2013 Glass D9/433
8,790,413 B2 7/2014 Meulink
D719,443 S 12/2014 Jones
D745,973 S * 12/2015 Russo D24/189
9,688,433 B2 * 6/2017 Camedda B65D 5/10
D833,530 S * 11/2018 Stafeil D20/22
D860,311 S * 9/2019 Sindo D19/26
10,398,571 B1 9/2019 Clayton
D876,641 S * 2/2020 Eaves, III D24/189
10,966,815 B1 * 4/2021 Kemper A61F 2/0805
D928,610 S * 8/2021 Kennedy D9/433
2004/0267276 A1 12/2004 Camino
2007/0282160 A1 12/2007 Sheu
2011/0308983 A1 12/2011 Dacey
2013/0317527 A1 * 11/2013 Jacinto A61F 2/0063
606/151
2017/0143551 A1 5/2017 Coleman
2017/0172570 A1 * 6/2017 Wentling B65D 5/4266
2018/0162619 A1 6/2018 Kocur
2019/0209282 A1 * 7/2019 Griffiths A61F 2/0095
2021/0269213 A1 * 9/2021 Burley A61F 2/0095

OTHER PUBLICATIONS

HANSGO Gift Card Envelopes, 100PCS 4x2.8 inch, HANSGO, [Postdate unknown], [Site seen Nov. 4, 2021], Seen at URL: https://www.pricepulse.app/hansgo-gift-card-envelopes-100pcs-4-x-28-inch-cute_us_5074035 (Year: 2021).*

* cited by examiner

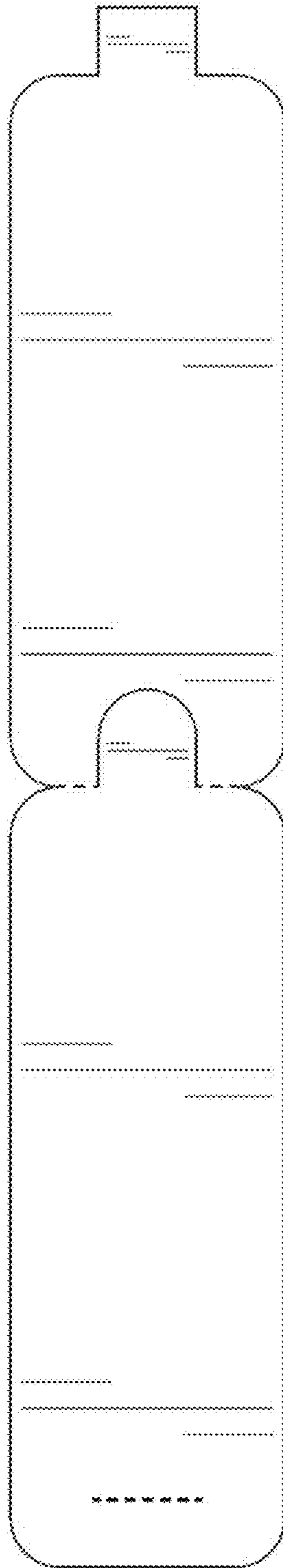
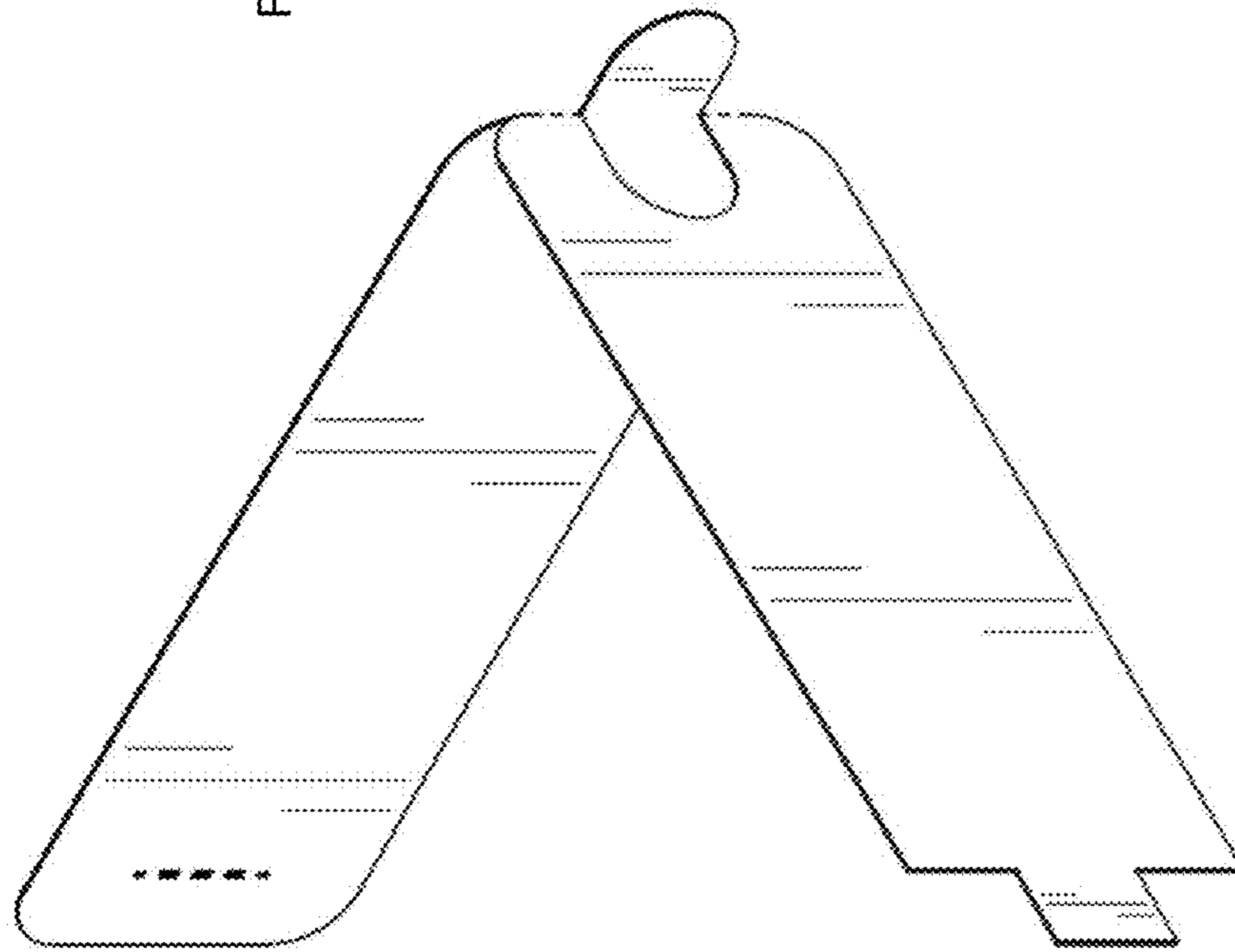


Fig. 1

Fig. 2



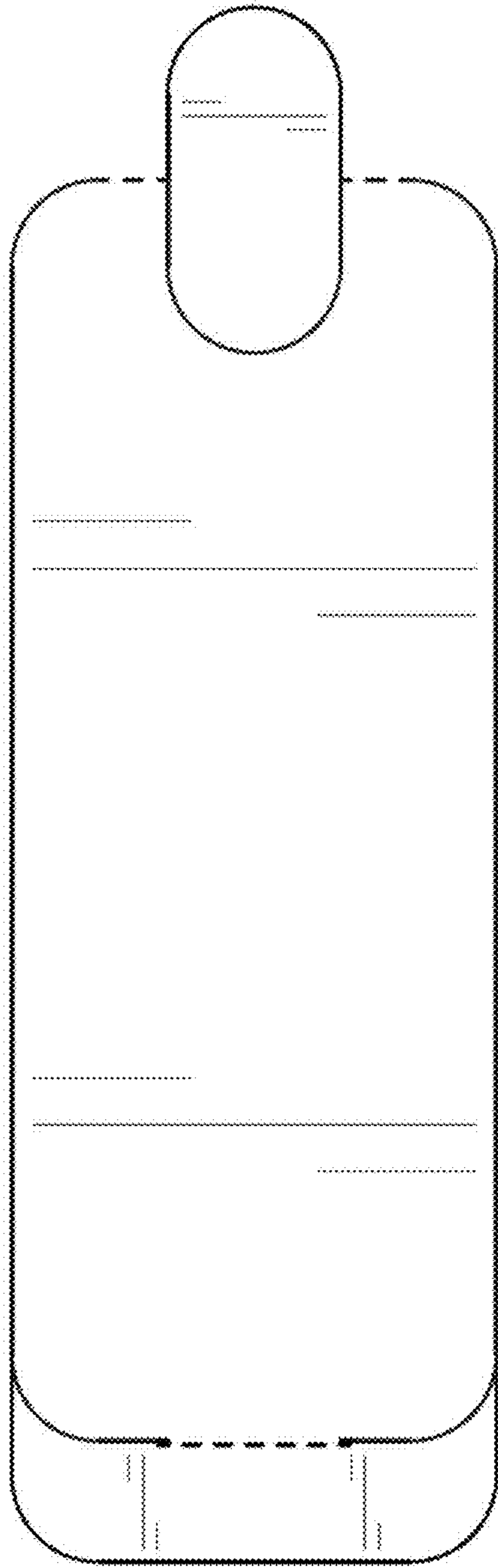


FIG. 3

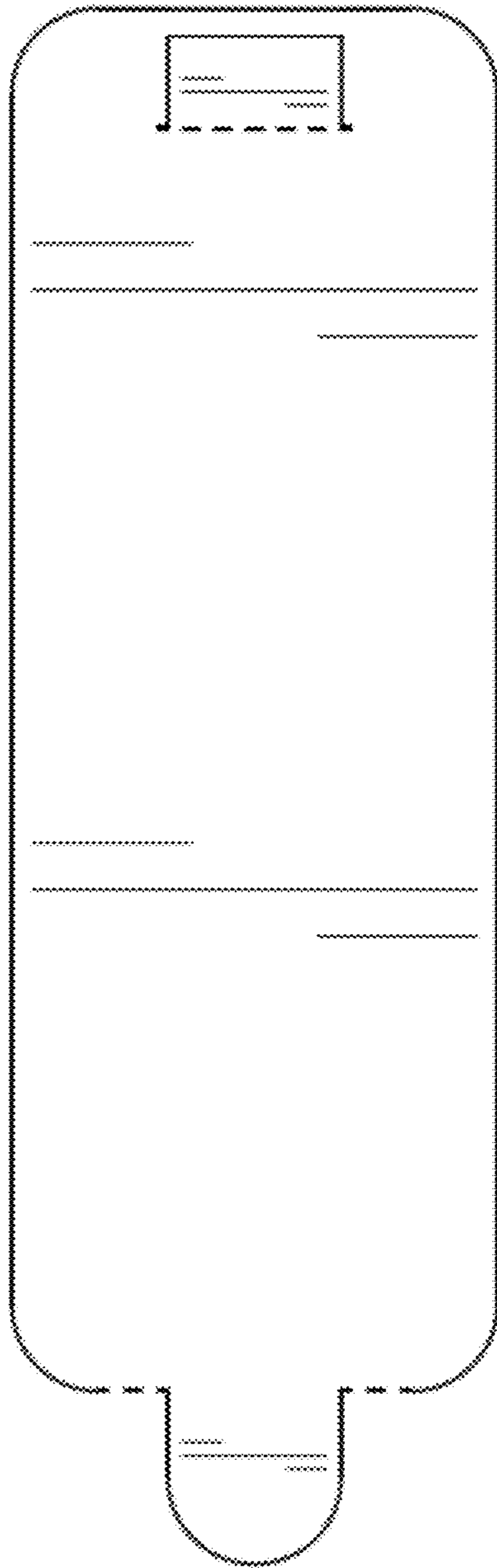


Fig. 4