

US00D946767S

(12) **United States Design Patent**
Kemper et al.

(10) **Patent No.:** **US D946,767 S**
(45) **Date of Patent:** **** Mar. 22, 2022**

(54) **ENCLOSURE DEVICE FOR DELIVERING AN IMPLANTABLE SHEET-LIKE REPAIR DEVICE**

FOREIGN PATENT DOCUMENTS

CA 100554 * 8/2003
WO 2013/122568 A1 8/2013

(71) Applicant: **EMBODY, INC.**, Norfolk, VA (US)

OTHER PUBLICATIONS

(72) Inventors: **Nathan Kemper**, Norfolk, VA (US);
Michael Francis, Norfolk, VA (US);
Christy Nelson, Norfolk, VA (US); **Yas Maghdouri-White**, Norfolk, VA (US)

Cardboard hanger folding swing sock tags for sock show, Yiwu Dilin Paper Products Co., Ltd., [Post date unknown], [Site seen Nov. 4, 2021/, Seen at URL: https://www.alibaba.com/product-detail/cardboard-hanger-folding-swing-sock-tags_60715710331.html (Year: 2021).*

(**) Term: **15 Years**

(Continued)

(21) Appl. No.: **29/743,823**

Primary Examiner — Natasha Vujcic

(22) Filed: **Jul. 24, 2020**

Assistant Examiner — Gilbert B Ford

(51) **LOC (13) Cl.** **24-02**

(74) *Attorney, Agent, or Firm* — J.A. Lindeman & Co. PLLC

(52) **U.S. Cl.**

USPC **D24/189**; D9/433

(57) **CLAIM**

(58) **Field of Classification Search**

USPC D24/188–189, 225, 231; D9/415–420,
D9/426, 432–433, 444, 457, 722;

D19/1–3, 9–11, 86; D20/22, 42–43

CPC A61B 17/06138; A61B 2017/06142; A61F
2/00; B65D 75/04; B65D 75/20; B65D
81/02; B65D 81/3813

The ornamental design for an enclosure device for delivering an implantable sheet-like repair device, as shown and described herein.

DESCRIPTION

See application file for complete search history.

FIG. 1 is a front view of an enclosure device for delivering an implantable sheet-like repair device in accordance with our new design.

(56) **References Cited**

U.S. PATENT DOCUMENTS

3,994,085 A * 11/1976 Groselak G09F 3/04
40/665

4,496,045 A 1/1985 Ferguson
5,219,077 A 6/1993 Transue
D372,046 S * 7/1996 Gibson D19/3
D394,387 S * 5/1998 Williams D9/433
D489,255 S * 5/2004 Kratzert D9/432
D535,557 S * 1/2007 Fath D9/432
D555,511 S * 11/2007 Warmka D9/722
D622,587 S * 8/2010 Schumann D9/415

FIG. 2 is a front right side perspective view of the enclosure device for delivering an implantable sheet-like repair device in partially folded state of FIG. 1.

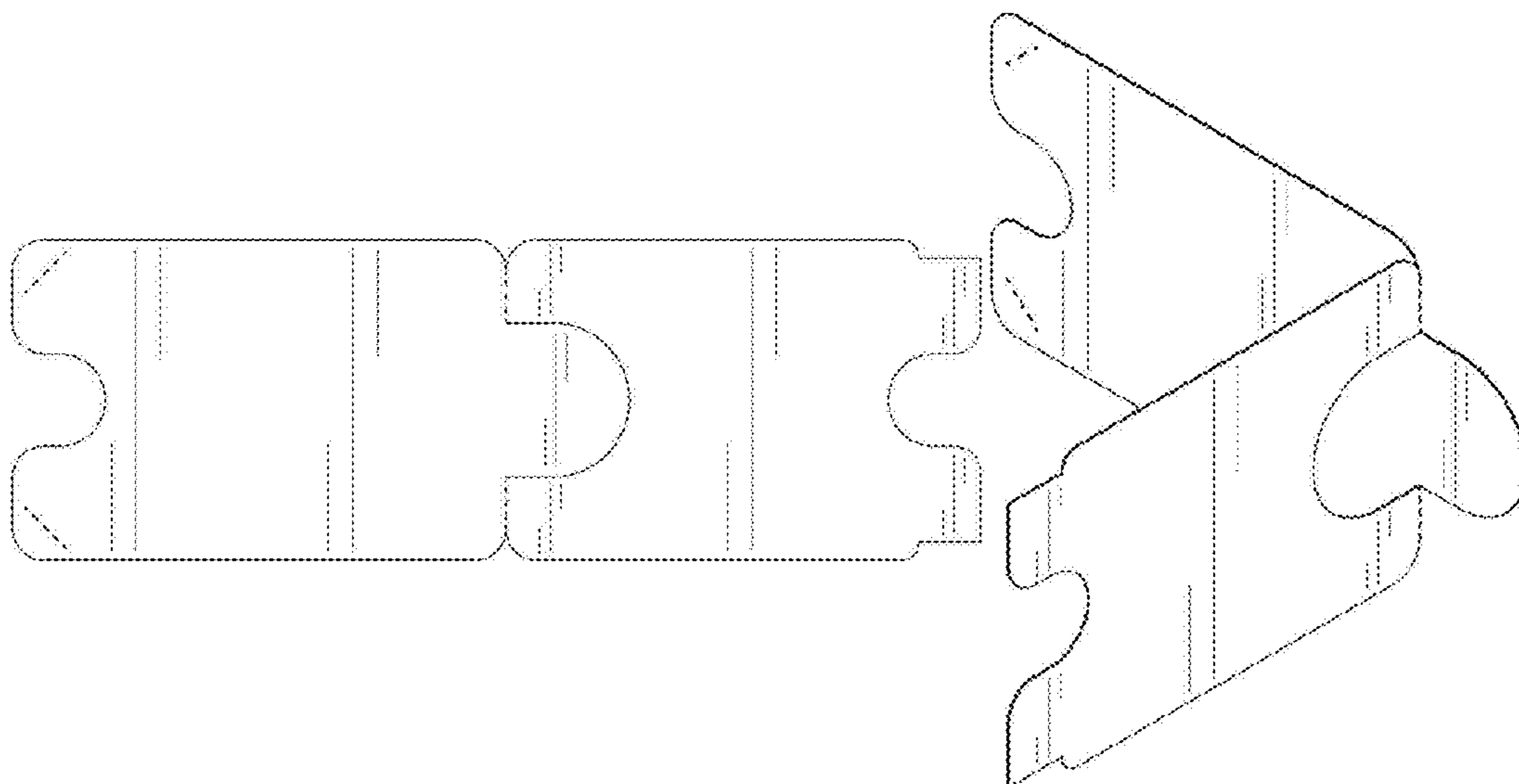
FIG. 3 is a front view of the enclosure device for delivering an implantable sheet-like repair device in fully folded state of FIG. 1; and,

FIG. 4 is a rear view of the enclosure device for delivering an implantable sheet-like repair device in fully folded state of FIG. 1.

The irregular broken lines in FIGS. 1-4 are intended to indicate surface contour, fold lines and slits; the broken lines form no part of the claimed design.

(Continued)

1 Claim, 4 Drawing Sheets



(56)

References Cited

U.S. PATENT DOCUMENTS

D647,395	S *	10/2011	Mitten	D9/420
D685,635	S *	7/2013	Glass	D9/433
8,790,413	B2	7/2014	Meulink	
D719,443	S	12/2014	Jones	
D745,973	S *	12/2015	Russo	D24/189
9,688,433	B2 *	6/2017	Camedda	B65D 5/10
D833,530	S *	11/2018	Stafeil	D20/22
D860,311	S *	9/2019	Sindo	D19/26
10,398,571	B1	9/2019	Clayton	
D876,641	S *	2/2020	Eaves, III	D24/189
10,966,815	B1 *	4/2021	Kemper	A61F 2/0805
D928,610	S *	8/2021	Kennedy	D9/433
2004/0267276	A1	12/2004	Camino	
2007/0282160	A1	12/2007	Sheu	
2011/0308983	A1	12/2011	Dacey	
2013/0317527	A1 *	11/2013	Jacinto	A61F 2/0063 606/151
2017/0143551	A1	5/2017	Coleman	
2017/0172570	A1 *	6/2017	Wentling	B65D 5/4266
2018/0162619	A1	6/2018	Kocur	
2019/0209282	A1 *	7/2019	Griffiths	A61F 2/0095
2021/0269213	A1 *	9/2021	Burley	A61F 2/0095

OTHER PUBLICATIONS

HANSGO Gift Card Envelopes, 100PCS 4x2.8 inch, HANSGO, [Post date unknown], [Site seen Nov. 4, 2021], Seen at URL: https://www.pricepulse.app/hansgo-gift-card-envelopes-100pcs-4-x-28-inch-cute_us_5074035 (Year: 2021).*

* cited by examiner

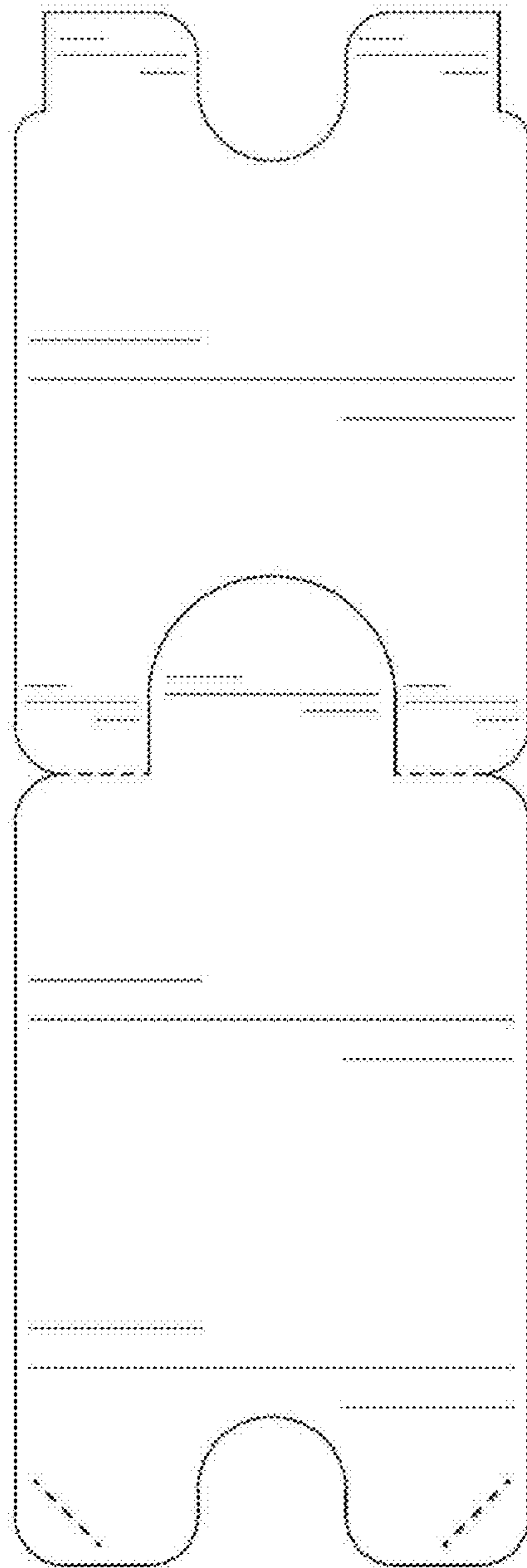
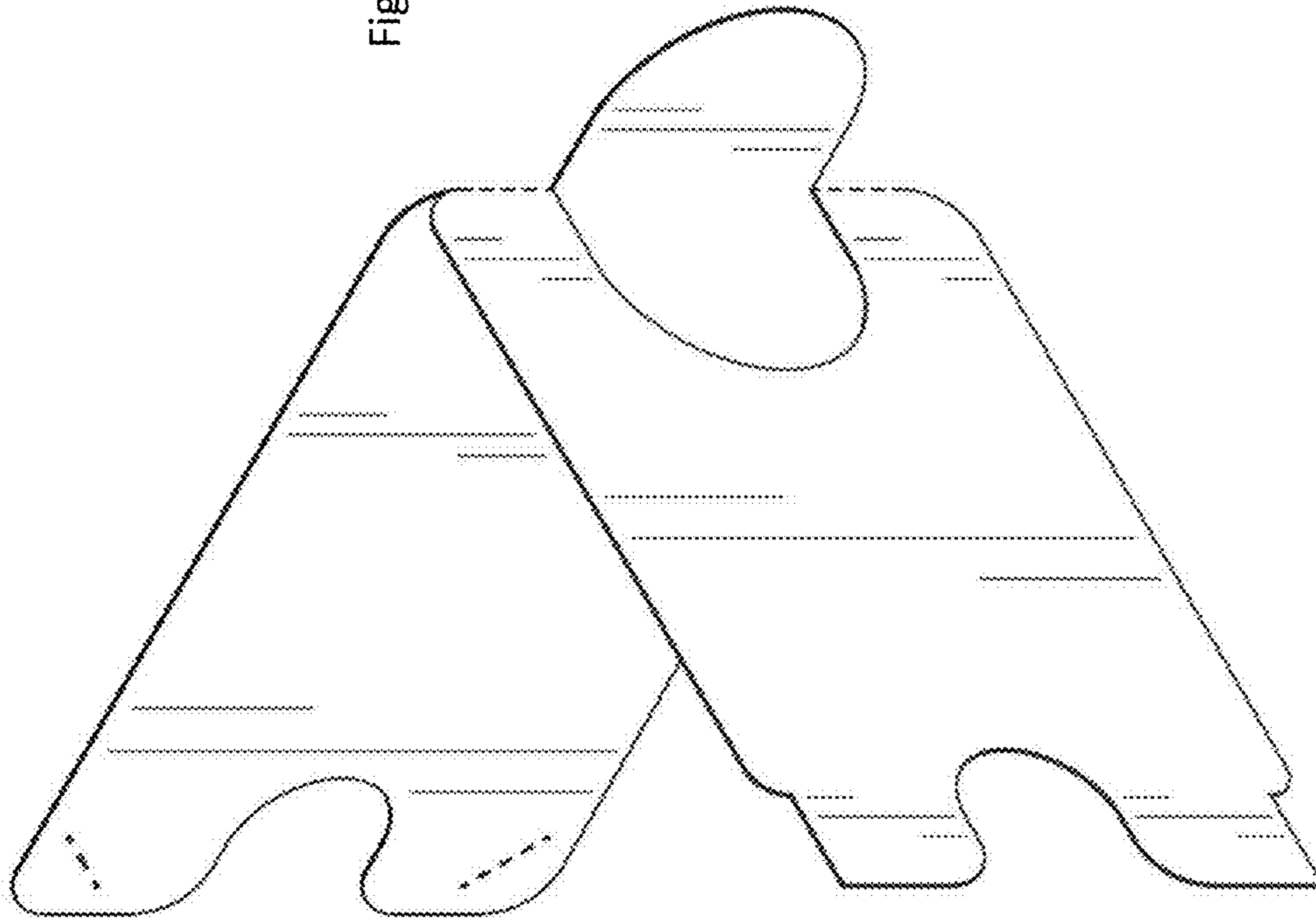


Fig. 1

Fig. 2



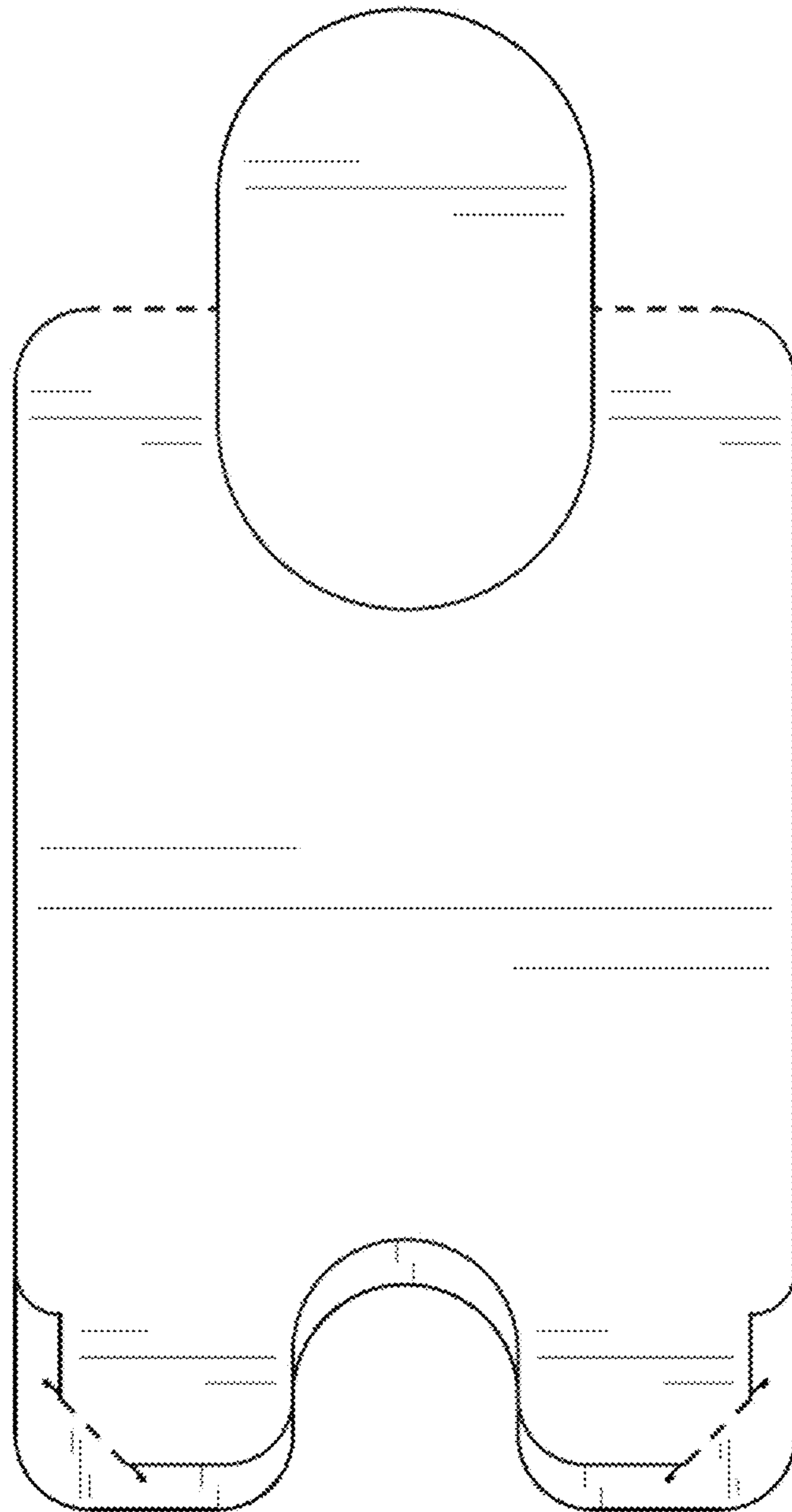


FIG. 3

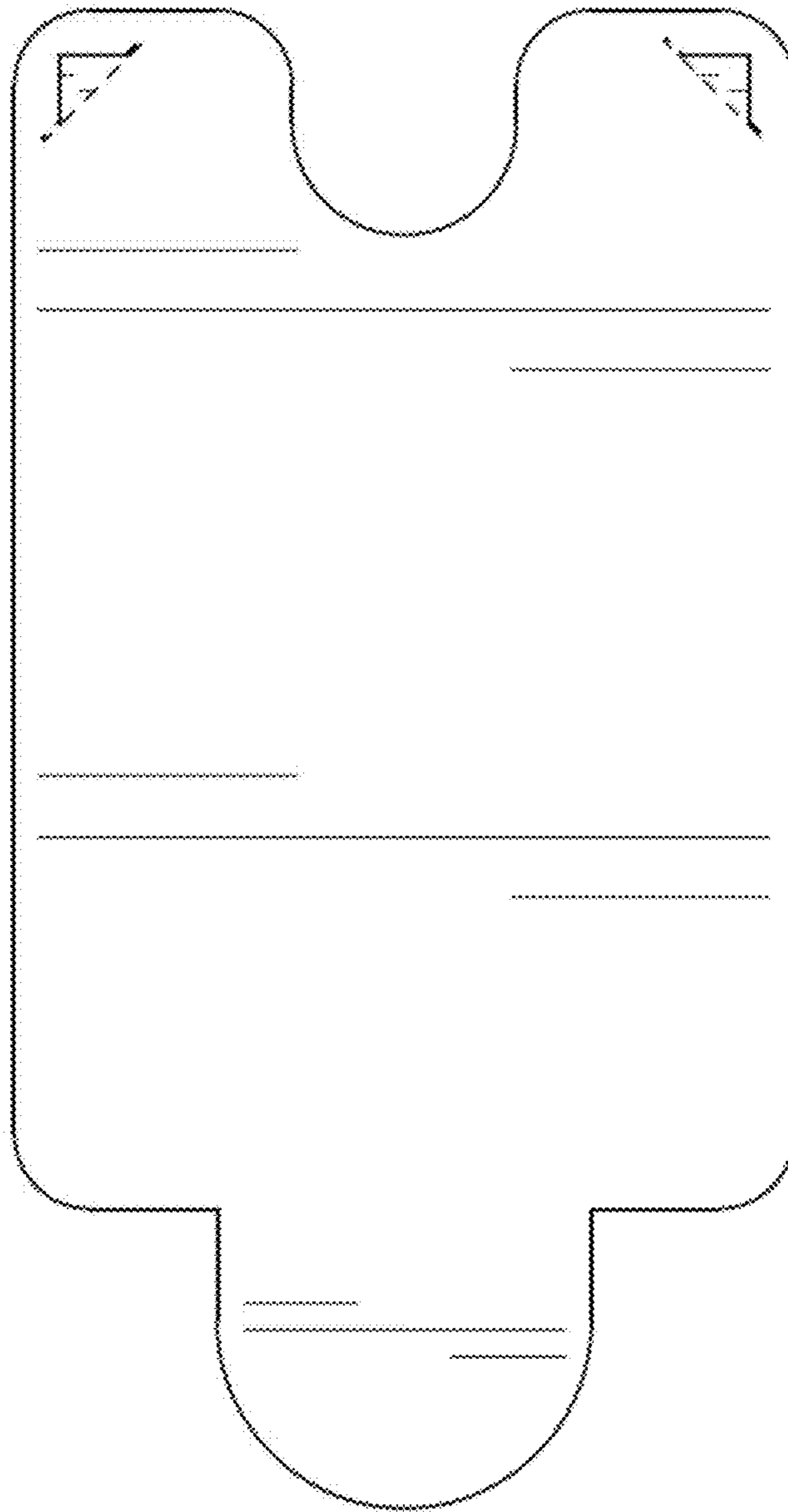


Fig. 4