



US00D946765S

(12) **United States Design Patent** (10) **Patent No.:** **US D946,765 S**  
**Chen et al.** (45) **Date of Patent:** **\*\* Mar. 22, 2022**

(54) **ELECTRODE FOR A MEDICAL DEVICE**

D918,393 S \* 5/2021 Geissen ..... D24/168  
D932,035 S \* 9/2021 McDonough ..... D24/200  
D932,640 S \* 10/2021 McDonough ..... D24/200

(71) Applicants: **Guangren Chen**, Arcadia, CA (US);  
**Rong Yang**, Porter Ranch, CA (US);  
**Jialun Chen**, Arcadia, CA (US); **Jiali Chen**, Palm Harbor, FL (US)

FOREIGN PATENT DOCUMENTS

FR 180342 \* 5/1980  
JP D2002-5474 \* 3/2003

(72) Inventors: **Guangren Chen**, Arcadia, CA (US);  
**Rong Yang**, Porter Ranch, CA (US);  
**Jialun Chen**, Arcadia, CA (US); **Jiali Chen**, Palm Harbor, FL (US)

OTHER PUBLICATIONS

Acuzone 40(2'x2") Pads TENS Snap Electrodes—Premium Quality Snap On Pads. Online, published date Oct. 17, 2016. Retrieved on Jan. 18, 2022 from URL: [https://www.amazon.com/Acuzone-pads-TENS-Snap-Electrodes/dp/B01KJ0H6HK/ref=sr\\_1\\_19?crid=2LMIA6YTI5BRX&keywords=square+medical+electrode&qid=1642552721&prefix=square+medi.\\*](https://www.amazon.com/Acuzone-pads-TENS-Snap-Electrodes/dp/B01KJ0H6HK/ref=sr_1_19?crid=2LMIA6YTI5BRX&keywords=square+medical+electrode&qid=1642552721&prefix=square+medi.*)

(\*\*) Term: **15 Years**

(21) Appl. No.: **29/770,135**

(22) Filed: **Feb. 9, 2021**

(51) **LOC (13) Cl.** ..... **24-02**

(52) **U.S. Cl.**  
USPC ..... **D24/187**

(58) **Field of Classification Search**  
USPC ..... D24/107, 164–169, 186, 187, 189, 200;  
D30/160; D10/70, 75, 98  
CPC ..... A61B 5/0002; A61B 5/042; A61B 5/0404;  
A61B 5/0416; A61N 1/0472; A61N 1/0476; A61N 1/110492; A61N 1/0456;  
A61N 1/37211; A61N 1/37235; A61N 1/3787; A61N 1/322; A61N 1/0404;  
A61N 1/0452

See application file for complete search history.

\* cited by examiner

*Primary Examiner* — Omeed Agilee  
(74) *Attorney, Agent, or Firm* — Kasha Law LLC; John R. Kasha; Kelly L. Kasha

(56) **References Cited**

U.S. PATENT DOCUMENTS

D255,149 S \* 5/1980 Bevilacqua ..... D24/187  
D468,433 S \* 1/2003 Wagner ..... D24/187  
D558,882 S \* 1/2008 Brady ..... D24/187  
D679,819 S \* 4/2013 Peron ..... D24/189  
RE46,289 E \* 1/2017 Peron ..... D24/189  
D831,830 S \* 10/2018 Lemons ..... D24/168  
D905,253 S \* 12/2020 Hubelbank ..... D24/189  
D907,783 S \* 1/2021 Cole ..... D24/187

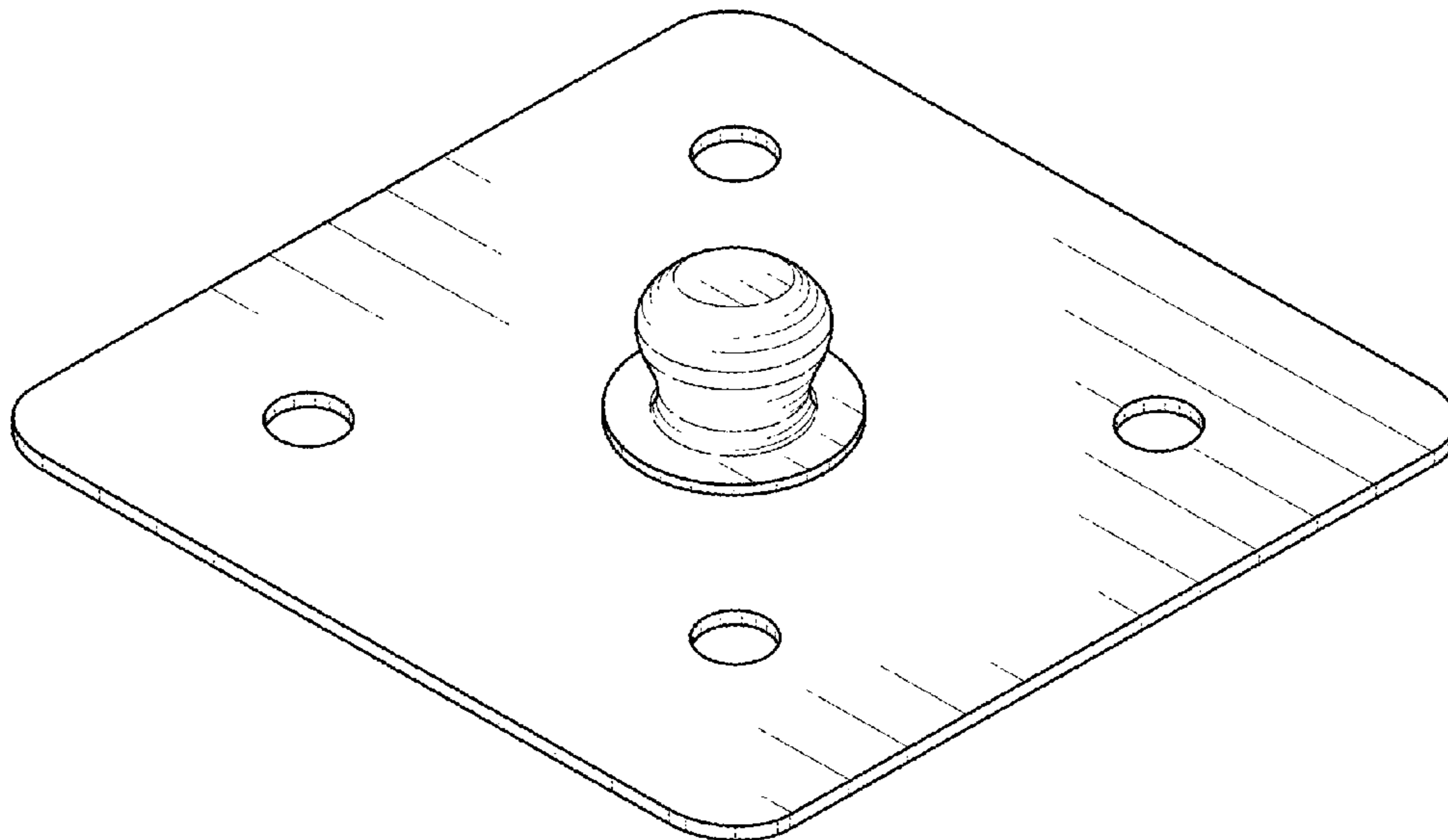
(57) **CLAIM**

The ornamental design for a electrode for a medical device, as shown and described.

**DESCRIPTION**

FIG. 1 is a top view of an electrode for a medical device, in accordance with the present invention.  
FIG. 2 is a bottom view thereof.  
FIG. 3 is a side view thereof.  
FIG. 4 is a top perspective view thereof; and,  
FIG. 5 is a bottom perspective view thereof.  
The ornamental design is an electrode for a medical device, such as but not limited to, a vital sign monitor, a Holter monitor, an EKG/ECG, a stress test ECG.

**1 Claim, 2 Drawing Sheets**



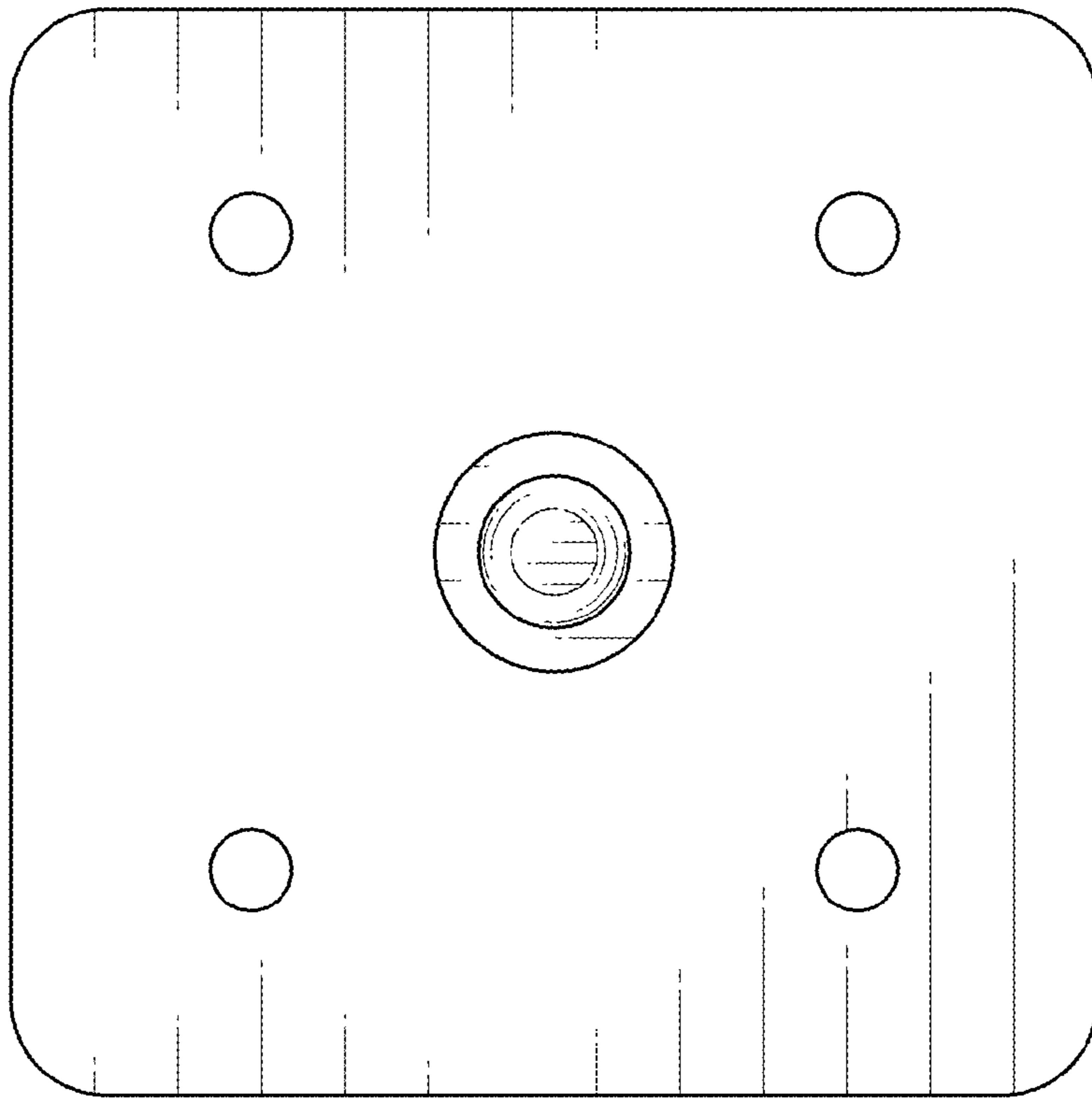


FIG. 1

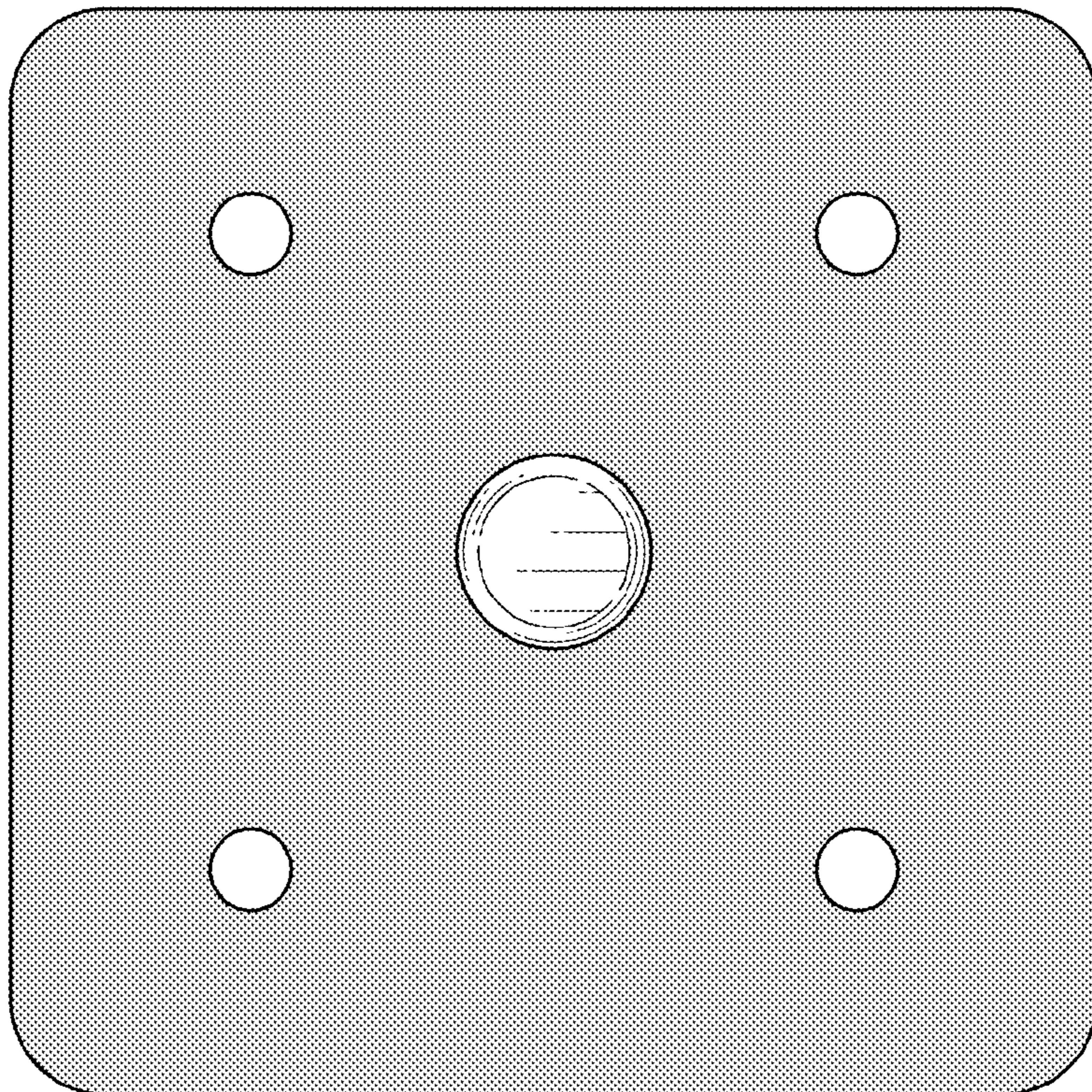


FIG. 2

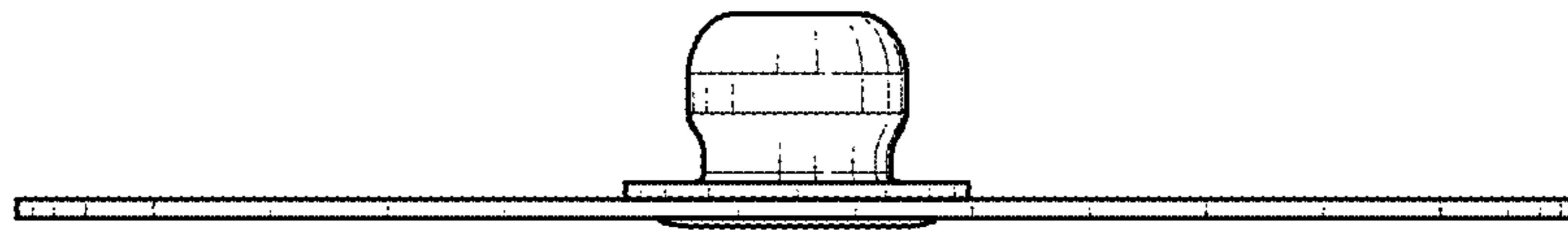


FIG. 3

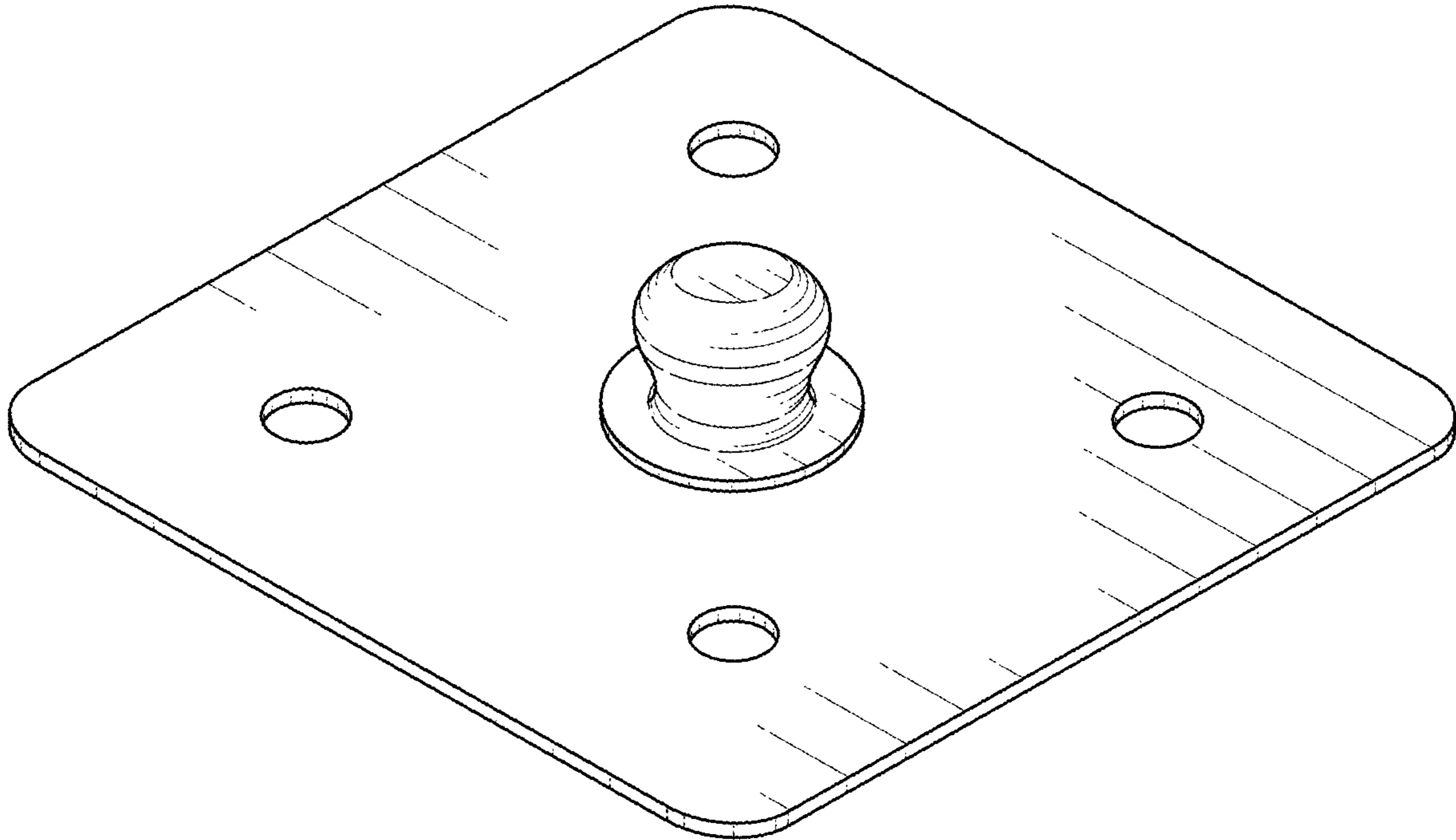


FIG. 4

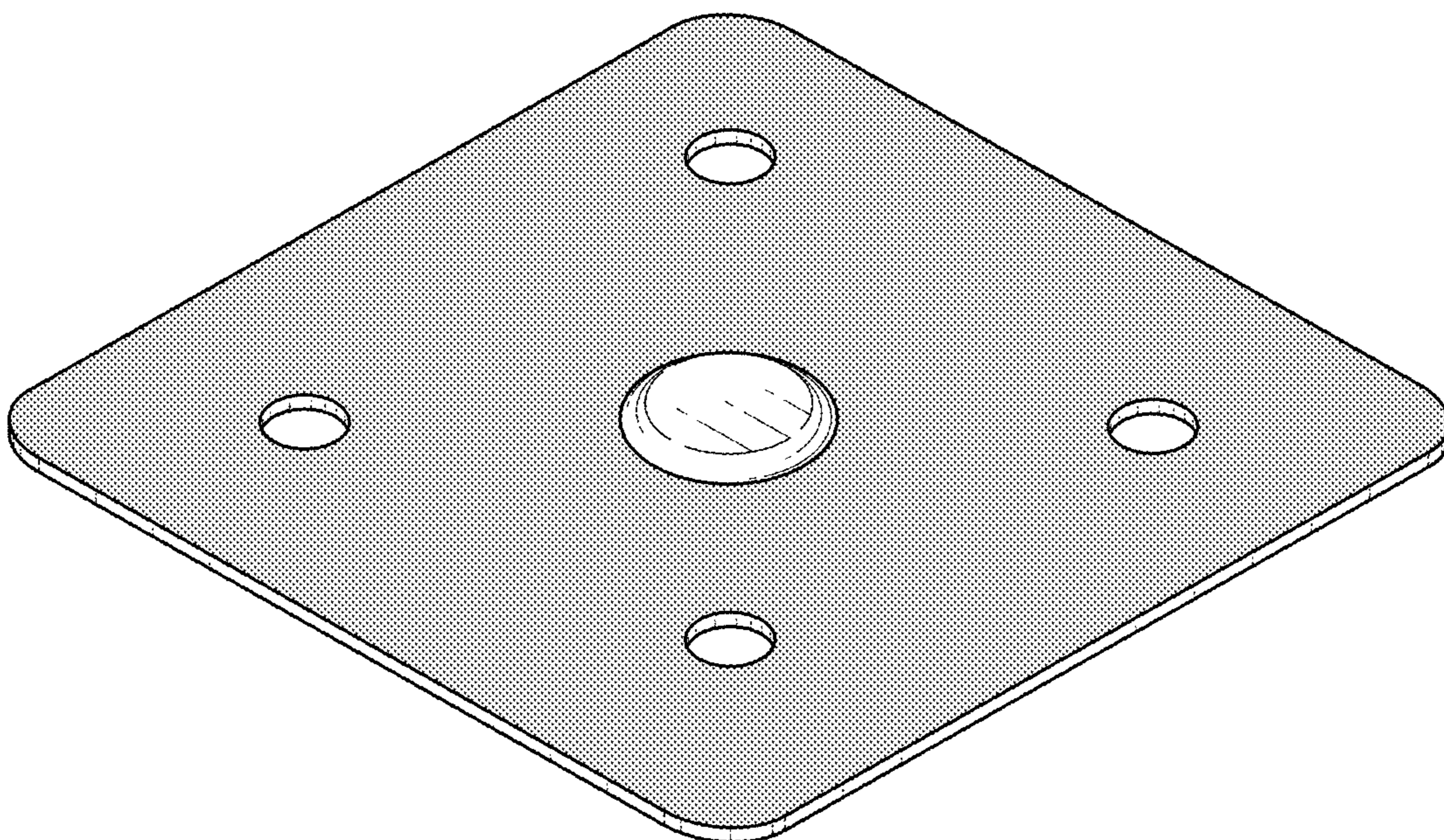


FIG. 5