

US00D946761S

(12) **United States Design Patent**  
**Chang et al.**

(10) **Patent No.:** **US D946,761 S**  
(45) **Date of Patent:** **\*\* Mar. 22, 2022**

(54) **BLOOD GLUCOSE INJECTION RECORDER**  
(71) Applicant: **Quanta Computer Inc.**, Taoyuan (TW)  
(72) Inventors: **Chia-Yuan Chang**, Taoyuan (TW);  
**Jung-Wen Chang**, Taoyuan (TW);  
**Kao-Yu Hsu**, Taoyuan (TW);  
**Tung-Han Lee**, Taoyuan (TW)  
(73) Assignee: **QUANTA COMPUTER INC.**,  
Taoyuan (TW)

D711,541 S \* 8/2014 Hafellner ..... D24/169  
D787,680 S \* 5/2017 Donohue ..... D24/169  
D794,802 S \* 8/2017 Binier ..... D24/169  
D798,438 S \* 9/2017 Engelhard ..... D24/110  
D831,191 S \* 10/2018 Hubanks ..... D24/110  
D846,735 S \* 4/2019 Sanborn ..... D24/127  
D878,566 S \* 3/2020 Jansen ..... D24/113  
D878,567 S \* 3/2020 Jansen ..... D24/113  
D903,105 S \* 11/2020 Brown ..... D24/113  
2020/0214625 A1\* 7/2020 Hooven ..... A61B 5/6833  
2021/0008286 A1\* 1/2021 Chang ..... G02B 5/04

\* cited by examiner

(\*\*) Term: **15 Years**  
(21) Appl. No.: **29/739,082**  
(22) Filed: **Jun. 22, 2020**

*Primary Examiner* — Anhdao Doan  
(74) *Attorney, Agent, or Firm* — McClure, Qualey &  
Rodack, LLP

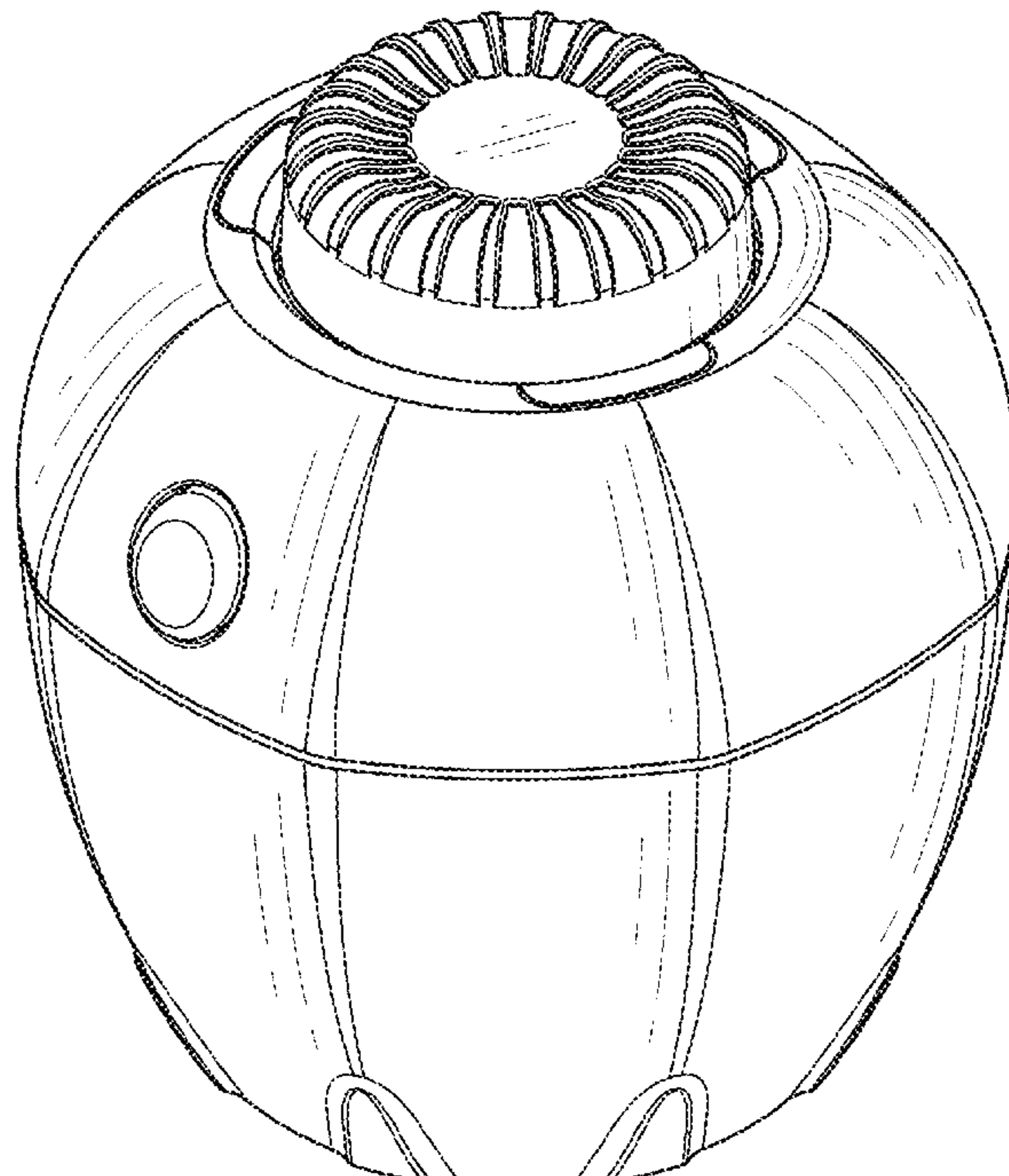
(30) **Foreign Application Priority Data**  
Feb. 20, 2020 (TW) ..... 109300794  
(51) **LOC (13) Cl.** ..... **24-01**  
(52) **U.S. Cl.**  
USPC ..... **D24/169; D24/113**  
(58) **Field of Classification Search**  
USPC ..... D24/107, 169, 186, 216, 223, 231, 232,  
D24/108, 111, 113, 127, 128; D10/81  
CPC ..... A61M 5/16854; A61M 5/3135; A61M  
5/31535; A61M 2205/3334; A61M  
2205/3584; A61M 2205/3576; A61M  
2205/3306; G16H 20/17  
See application file for complete search history.

(57) **CLAIM**  
The ornamental design for a blood glucose injection recorder, as shown and described.

(56) **References Cited**  
U.S. PATENT DOCUMENTS  
D425,990 S \* 5/2000 Gravel ..... D24/169  
D545,439 S \* 6/2007 Draudt ..... D24/186

**DESCRIPTION**  
FIG. 1 is a front perspective view of a blood glucose injection recorder, in accordance with our new and ornamental design;  
FIG. 2 is a front view thereof;  
FIG. 3 is a rear view thereof;  
FIG. 4 is a left side view thereof;  
FIG. 5 is a right side view thereof;  
FIG. 6 is a top plan view thereof; and,  
FIG. 7 is a bottom plan view thereof, wherein the broken lines in FIG. 7 illustrate portions of the blood glucose injection recorder that form no part of the claimed design.

**1 Claim, 4 Drawing Sheets**



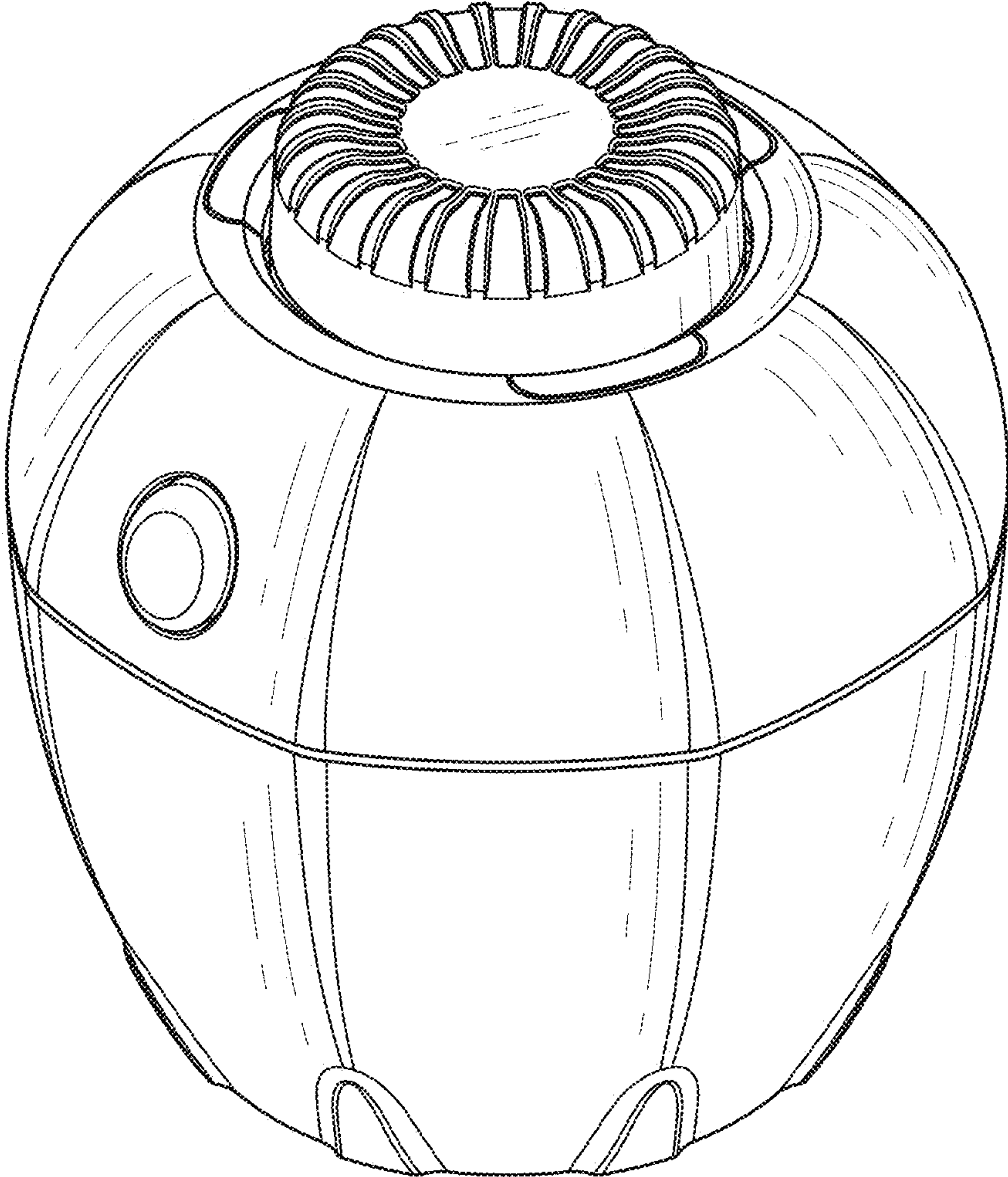


FIG. 1

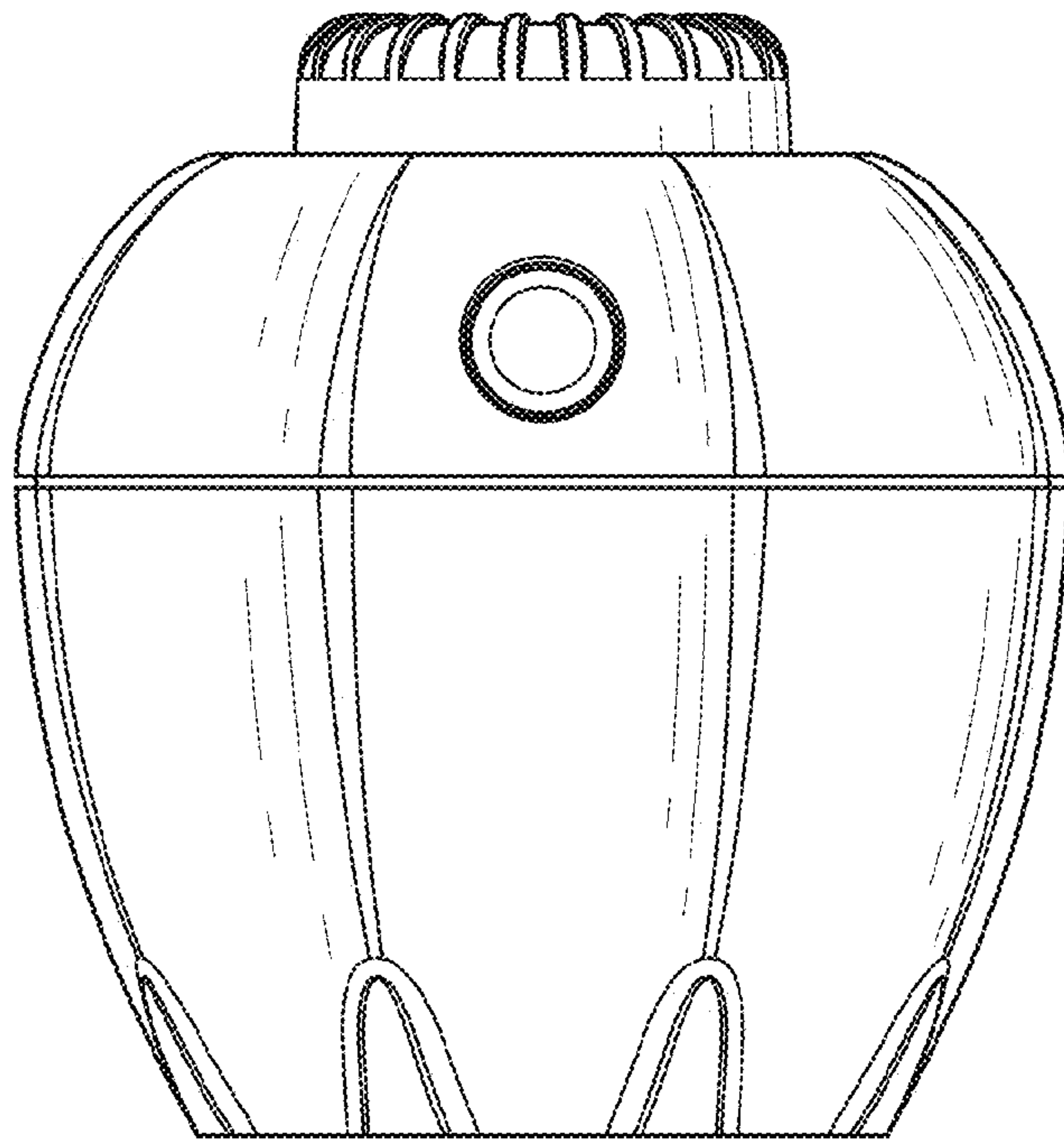


FIG. 2

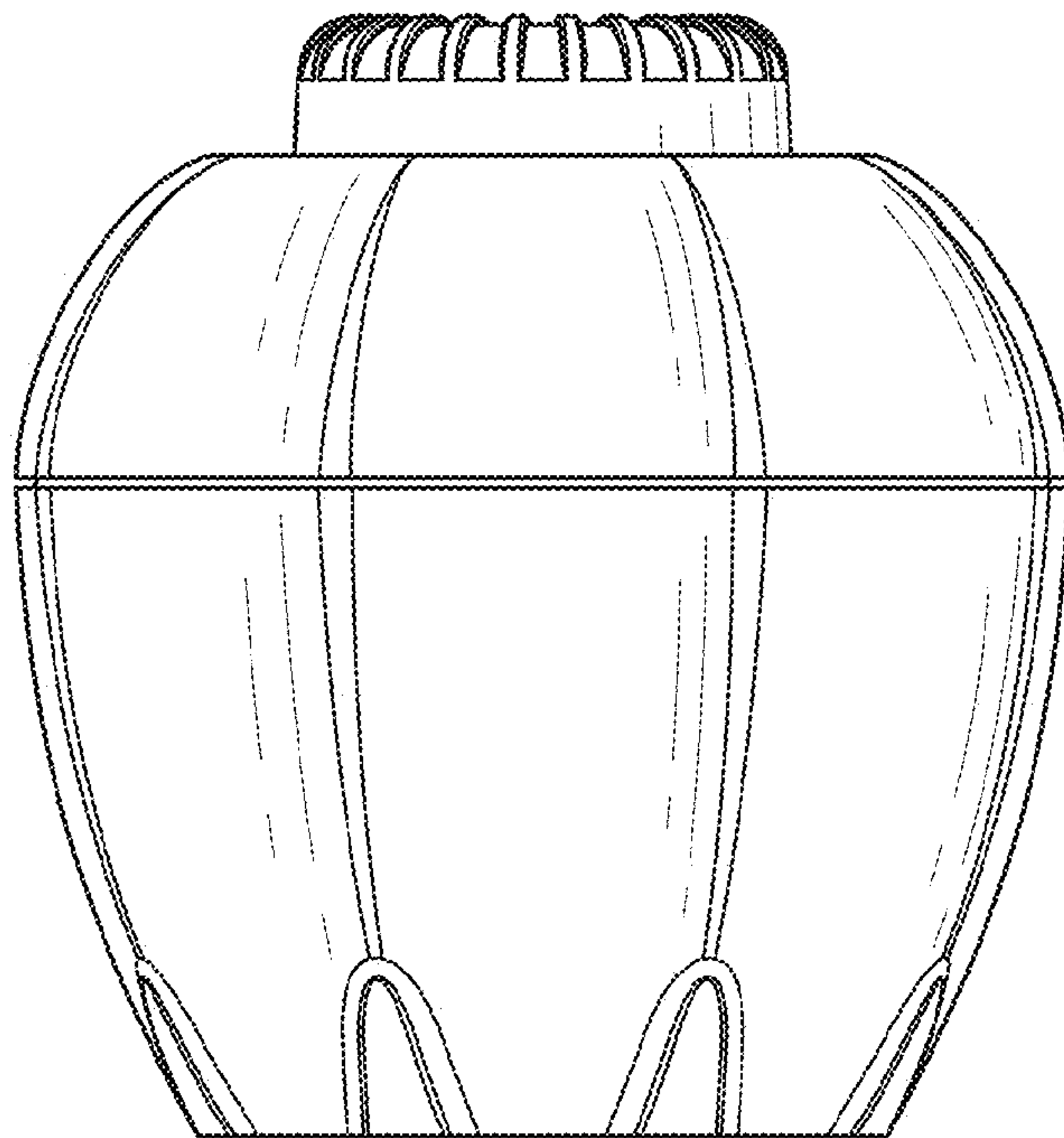


FIG. 3



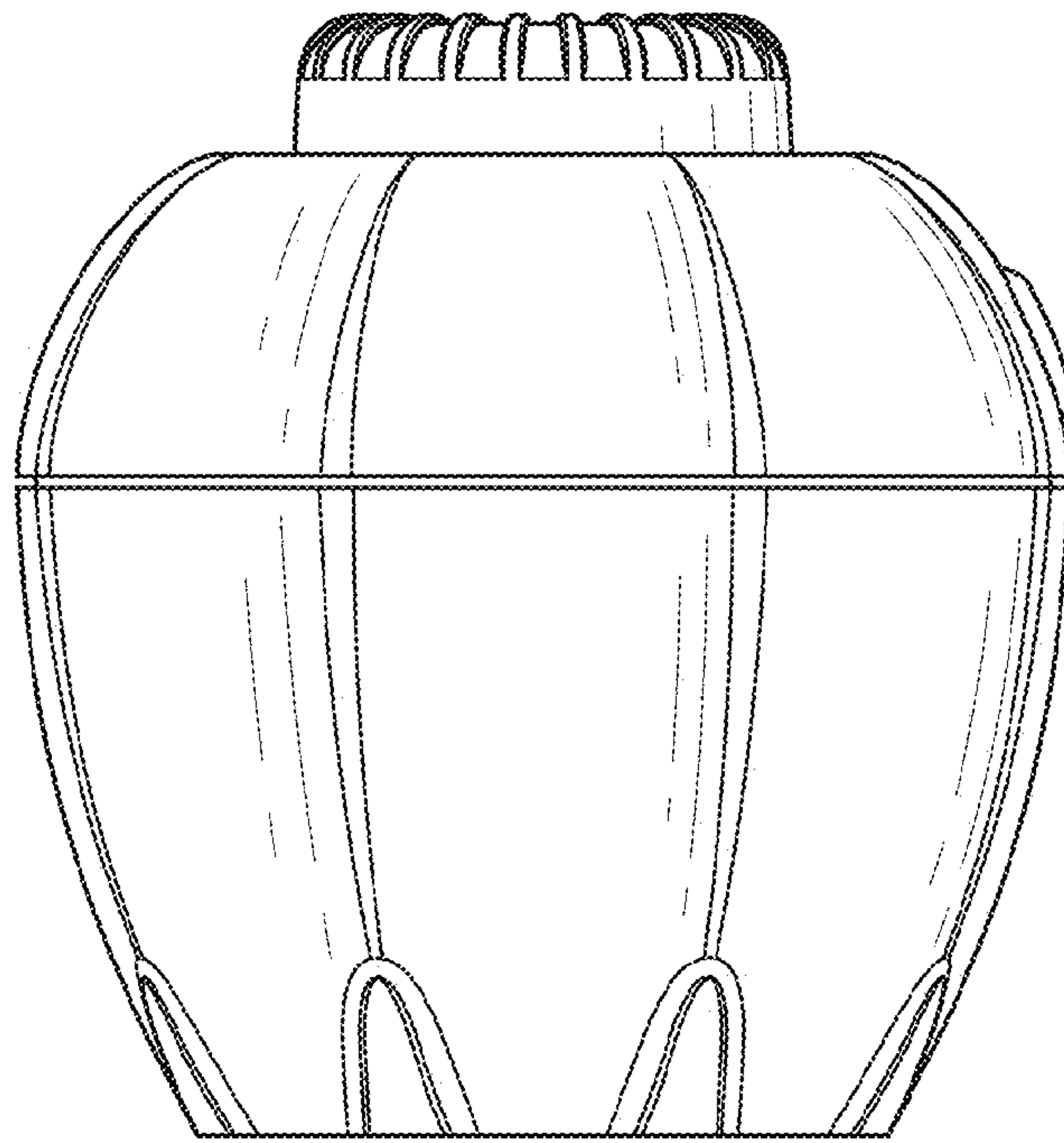


FIG. 4

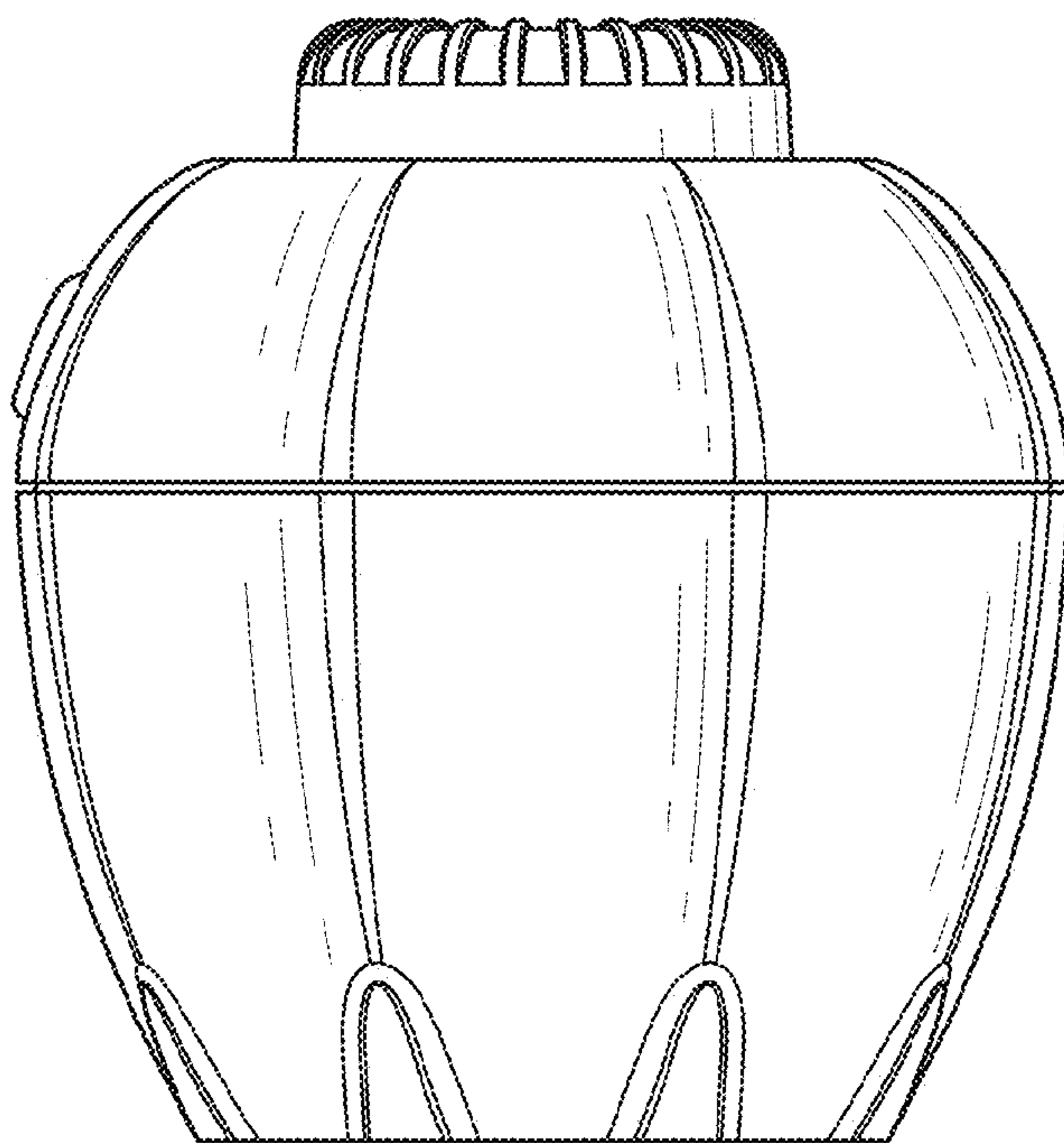


FIG. 5

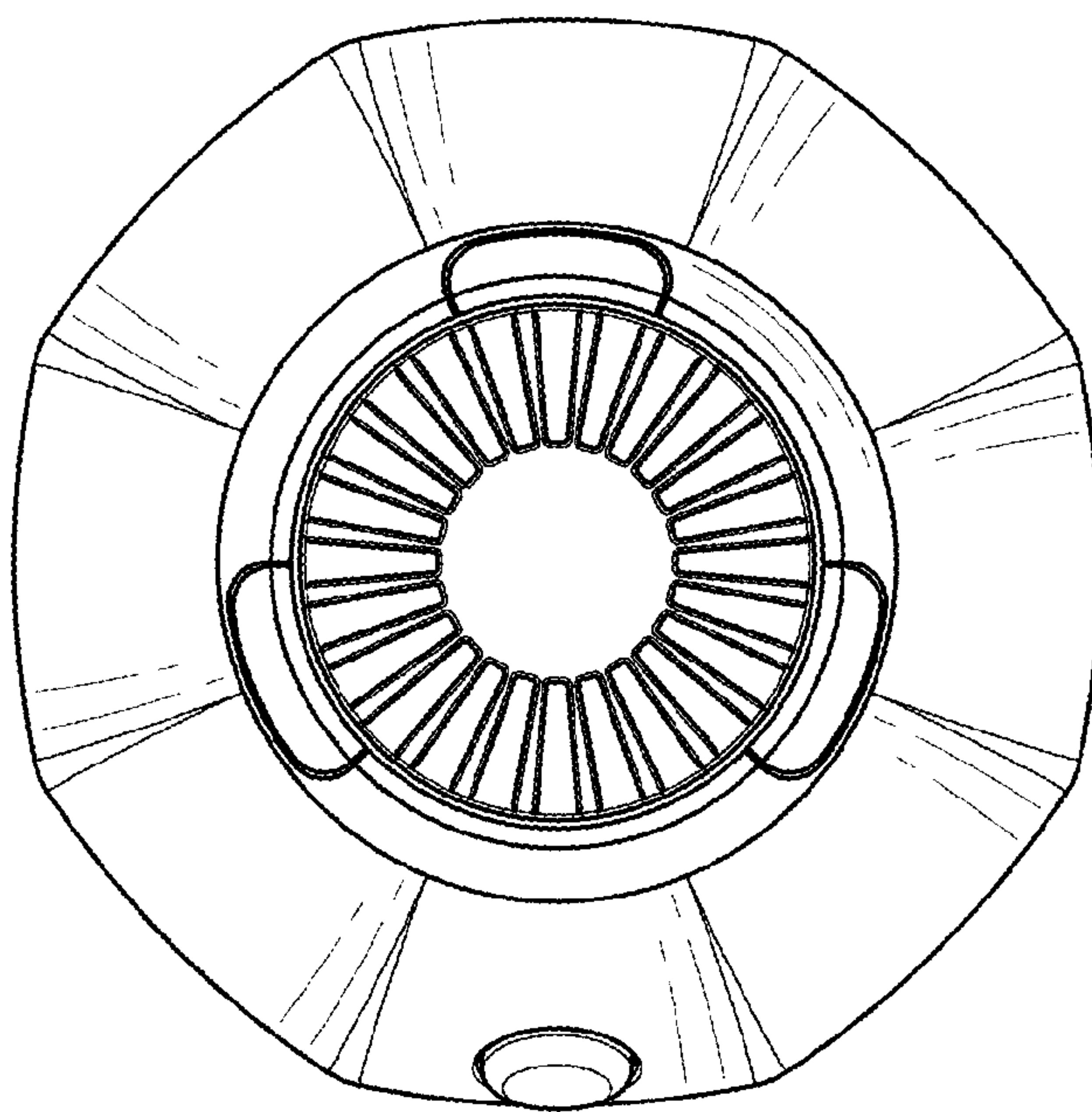


FIG. 6

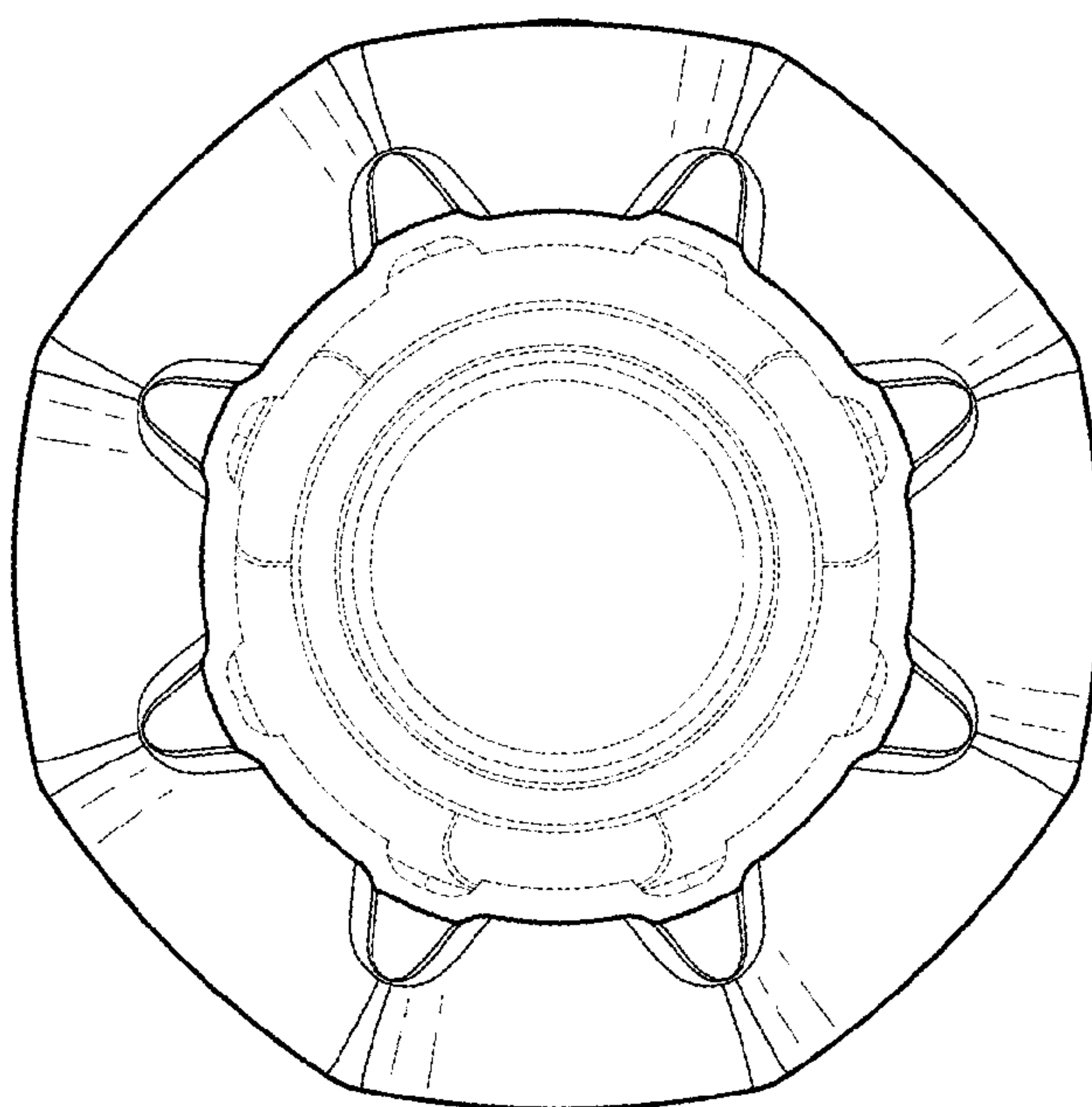


FIG. 7