

US00D946760S

(12) **United States Design Patent**  
**Mirelez, Jr. et al.**

(10) **Patent No.:** **US D946,760 S**  
(45) **Date of Patent:** **\*\* Mar. 22, 2022**

- (54) **HEALING ABUTMENT WITH CONCAVE CONICAL END SECTION**
- (71) Applicant: **InstaRisa Technologies, LLC**, Fresno, CA (US)
- (72) Inventors: **Jose Arthur Mirelez, Jr.**, Clovis, CA (US); **Jeffrey Bynum**, Brandon, FL (US); **Fernando Polanco**, Clovis, CA (US); **Chandeep Singh Purewal**, Las Vegas, NV (US)
- (73) Assignee: **InstaRisa Technologies, LLC**, Fresno, CA (US)
- (\*\*) Term: **15 Years**
- (21) Appl. No.: **29/760,288**
- (22) Filed: **Nov. 30, 2020**
- (51) **LOC (13) Cl.** ..... **24-03**
- (52) **U.S. Cl.**  
USPC ..... **D24/156**
- (58) **Field of Classification Search**  
USPC ..... D24/156  
See application file for complete search history.

D663,032 S *	7/2012	Mashio	.....	D24/156
D663,419 S *	7/2012	Mashio	.....	D24/156
D666,295 S *	8/2012	Hung	.....	D24/156
D729,389 S *	5/2015	Hart	.....	D24/156
D783,825 S *	4/2017	Emanuelli	.....	D24/156
D785,179 S *	4/2017	Emanuelli	.....	D24/156
D787,676 S *	5/2017	Bolinches	.....	D24/156
D806,876 S *	1/2018	Kim	.....	D24/156
D808,526 S *	1/2018	Kim	.....	D24/156
D817,493 S *	5/2018	Cho	.....	D24/152
D894,391 S *	8/2020	Robichaud	.....	D24/152

\* cited by examiner

*Primary Examiner* — Charles D Hanson  
(74) *Attorney, Agent, or Firm* — Seed Intellectual Property Law Group LLP

(57) **CLAIM**

The ornamental design for a healing abutment with concave conical end section, as shown and described.

**DESCRIPTION**

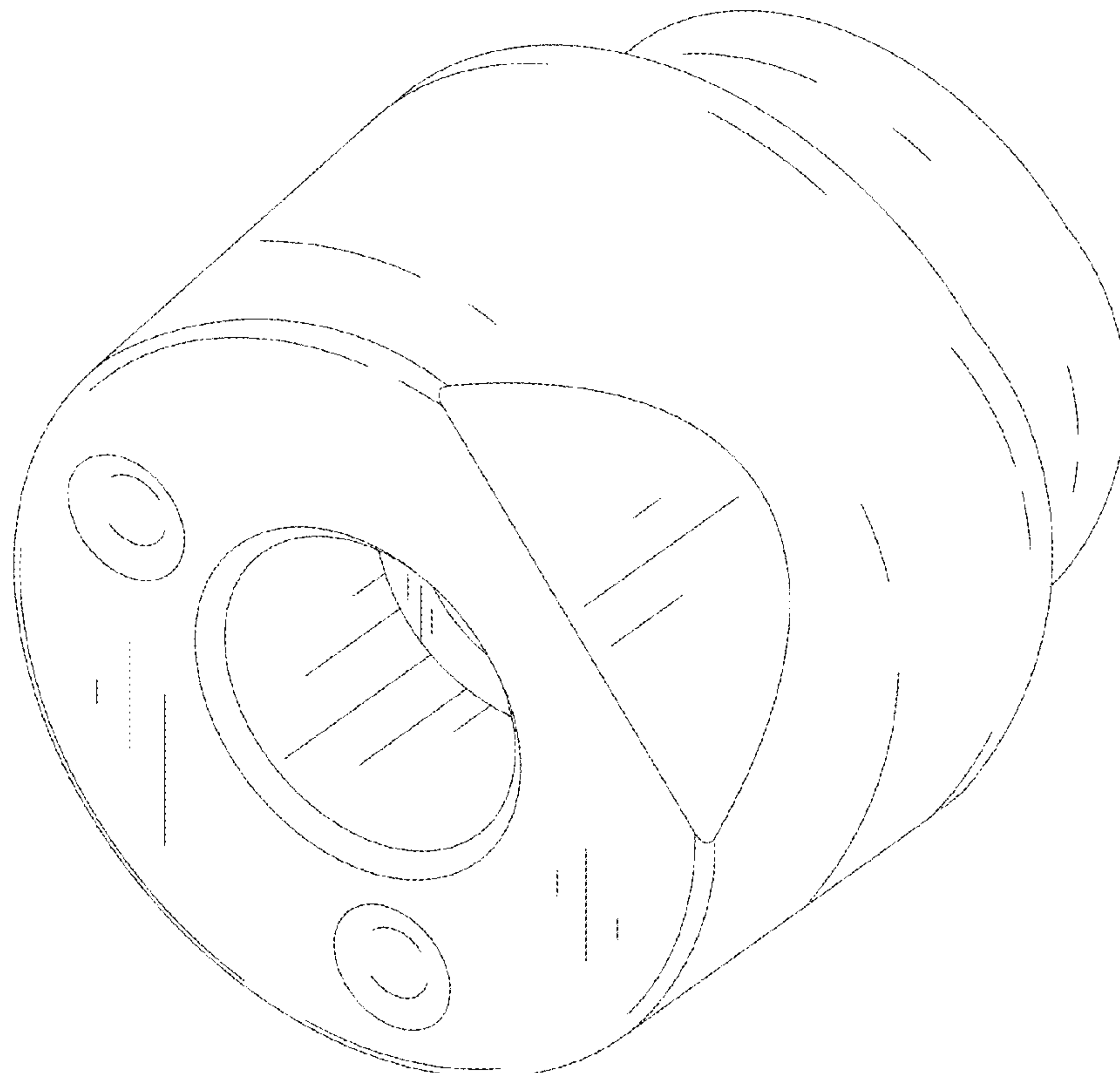
FIG. 1 is a top, front, right axonometric view showing our new design.  
 FIG. 2 is a top, rear, left axonometric view showing our new design.  
 FIG. 3 is a front elevational view thereof.  
 FIG. 4 is a rear elevational view thereof.  
 FIG. 5 is a left side elevational view thereof.  
 FIG. 6 is a right side elevational view thereof.  
 FIG. 7 is a top plan view thereof; and,  
 FIG. 8 is a bottom plan view thereof.

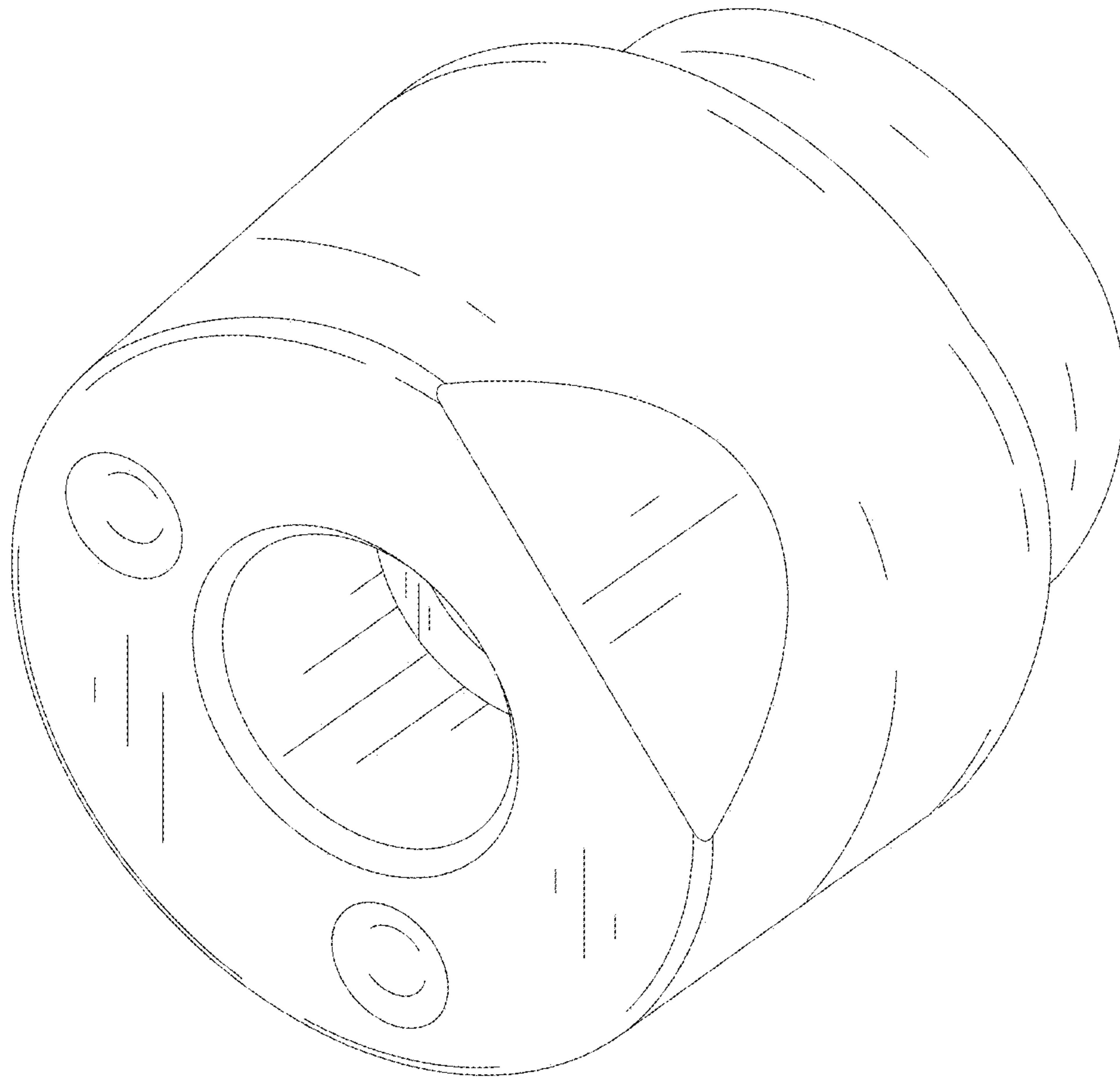
(56) **References Cited**

**U.S. PATENT DOCUMENTS**

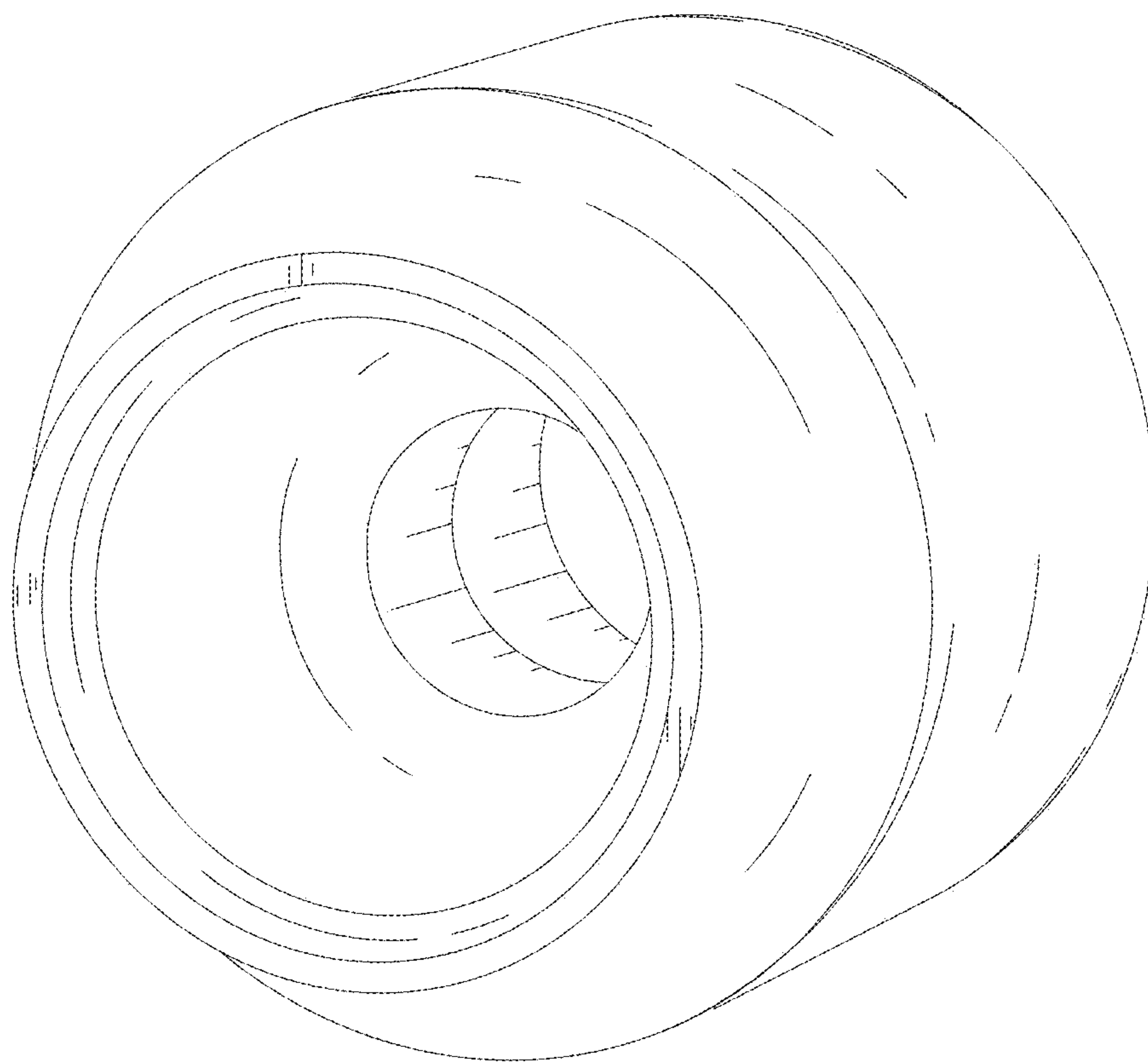
D641,877 S *	7/2011	Aldecoa	.....	D24/156
D642,271 S *	7/2011	Anitua Aldecoa	.....	D24/156

**1 Claim, 6 Drawing Sheets**

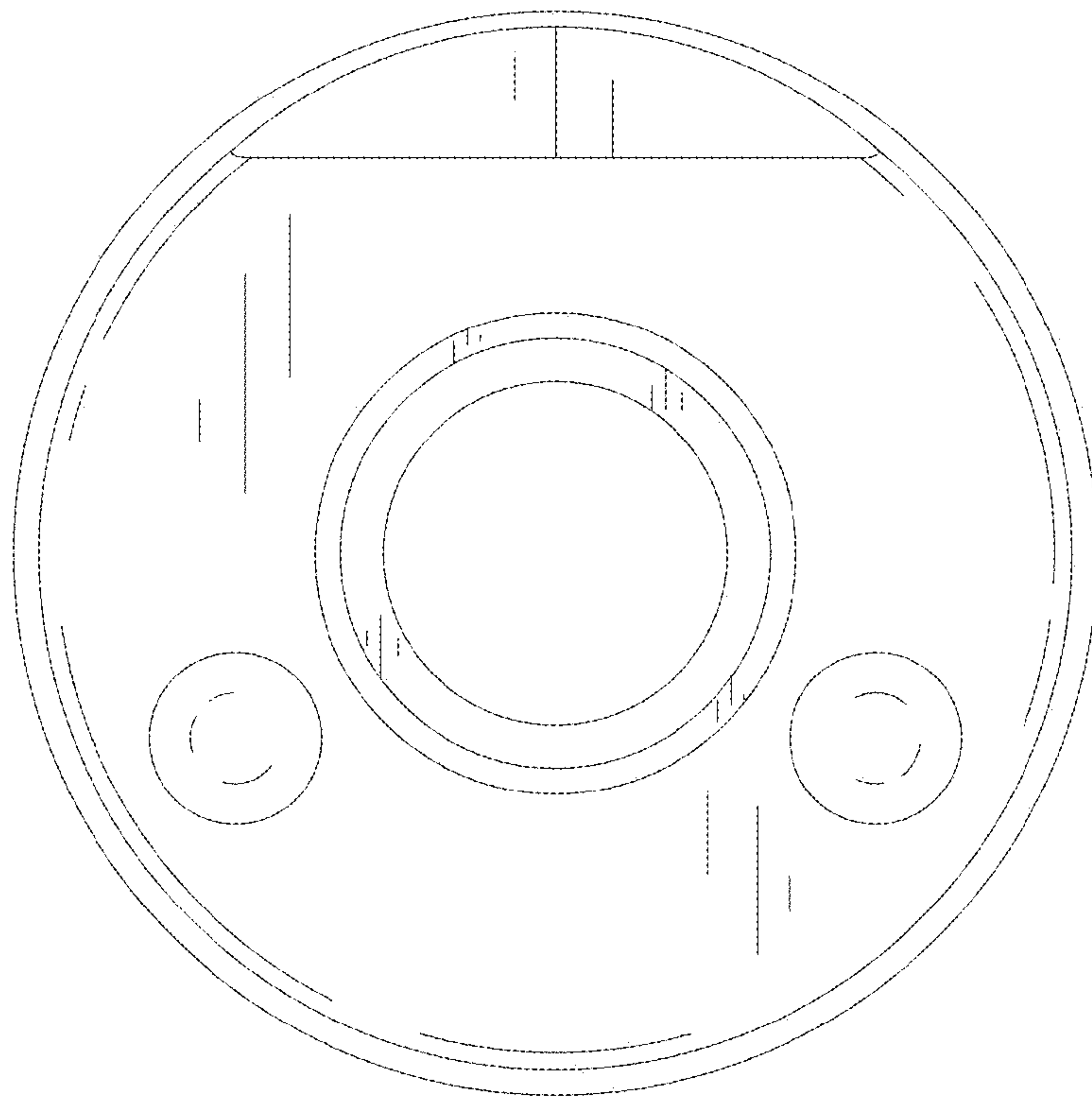




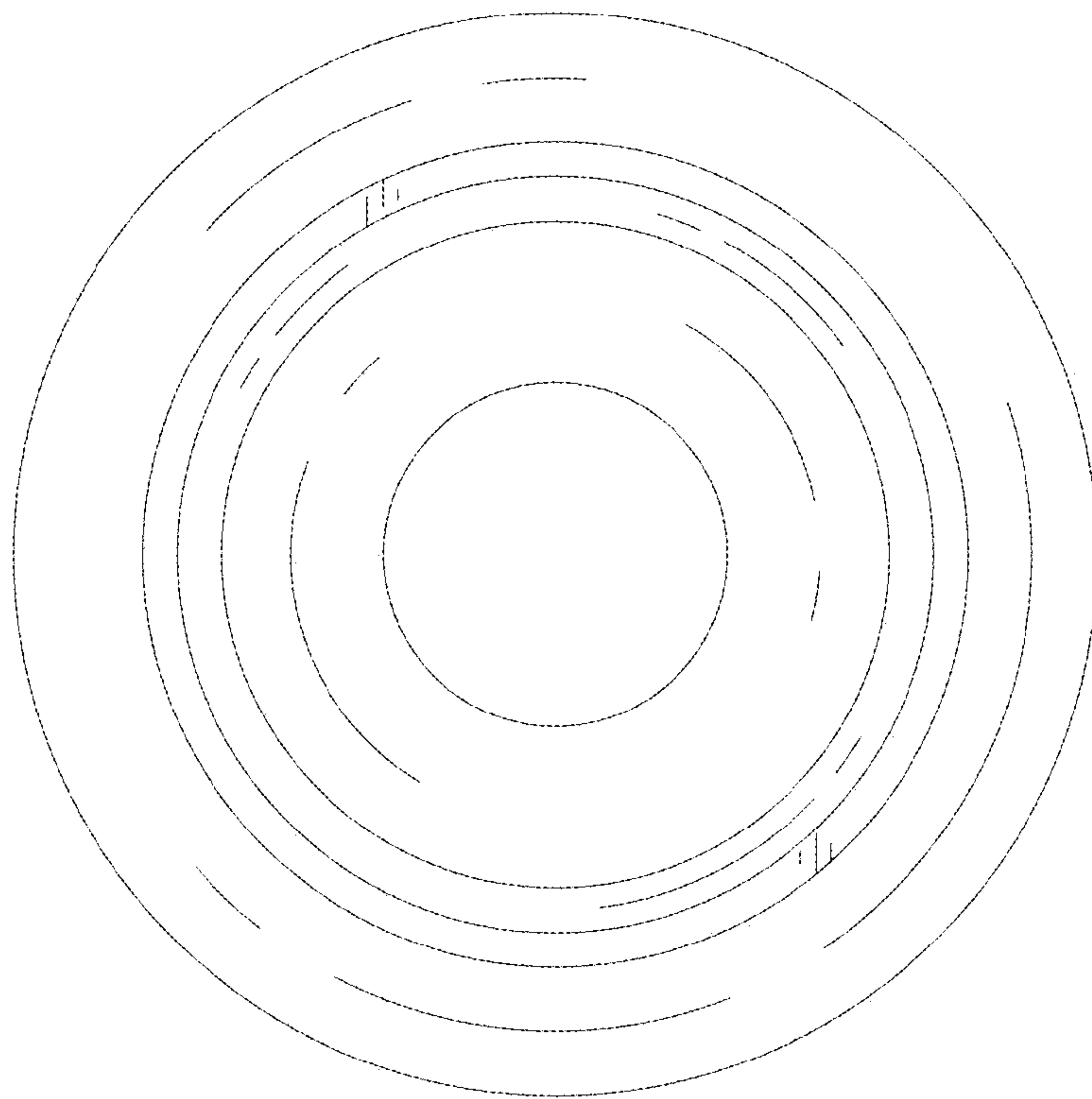
*FIG. 1*



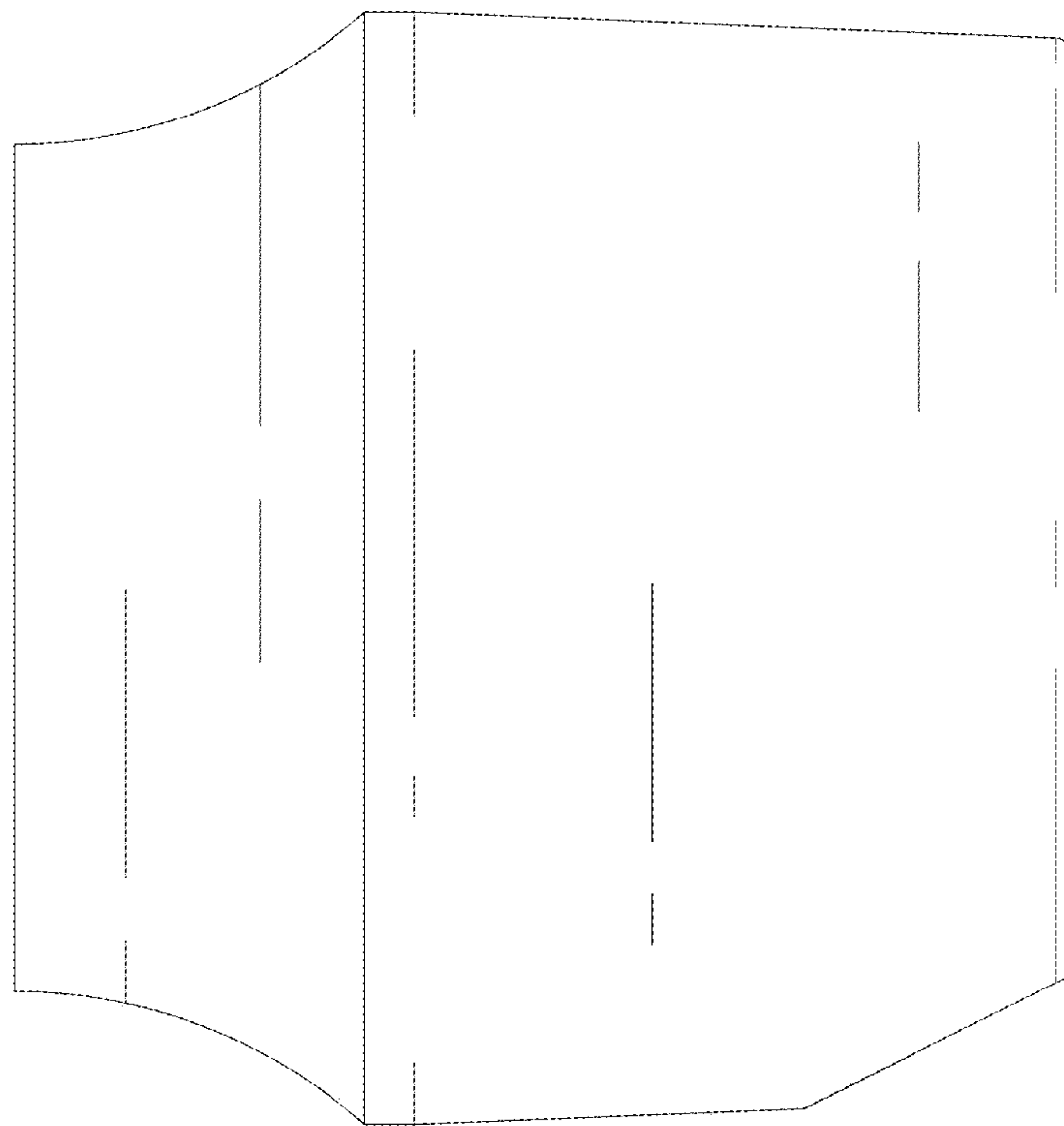
*FIG. 2*



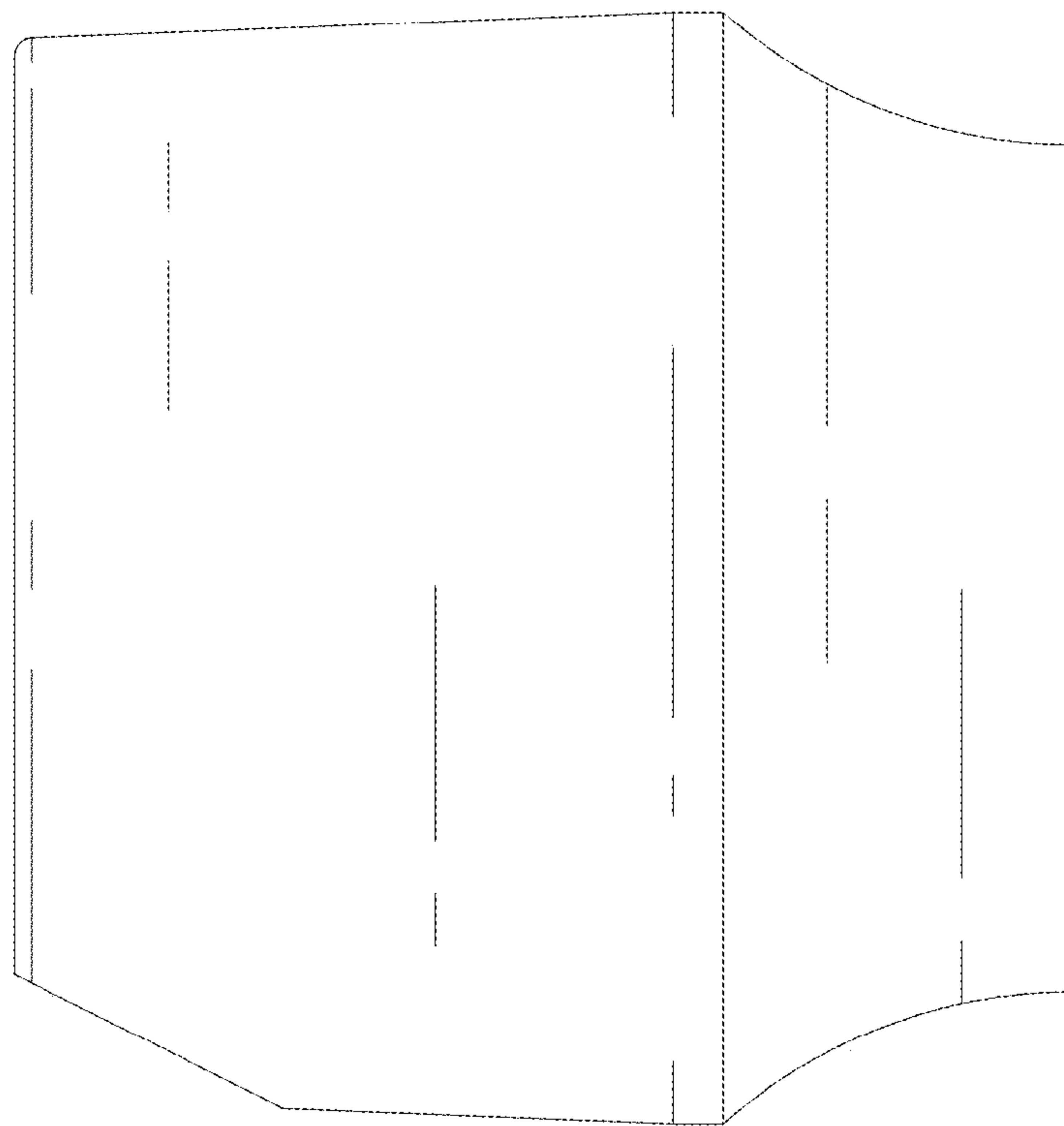
*FIG. 3*



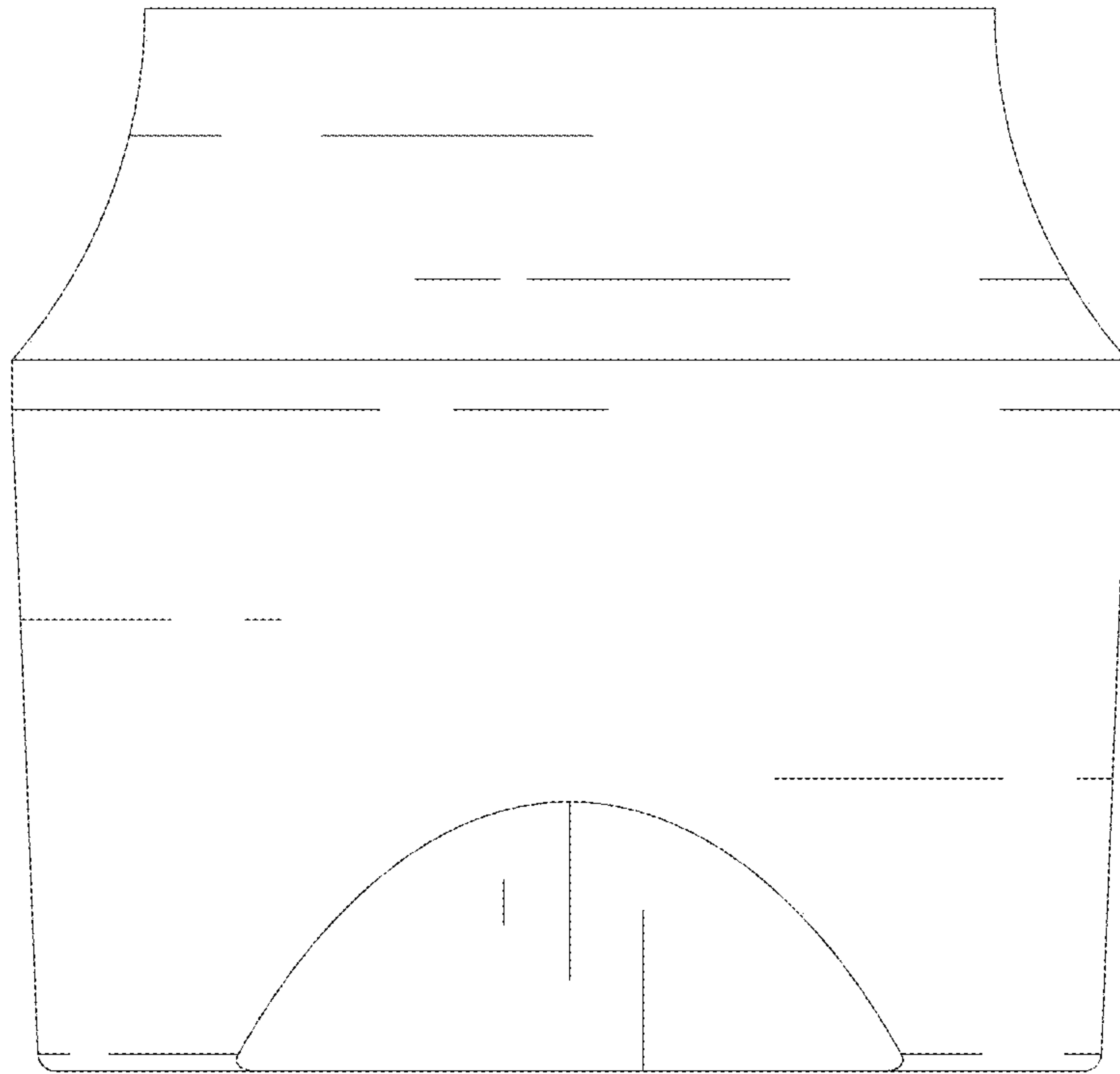
*FIG. 4*



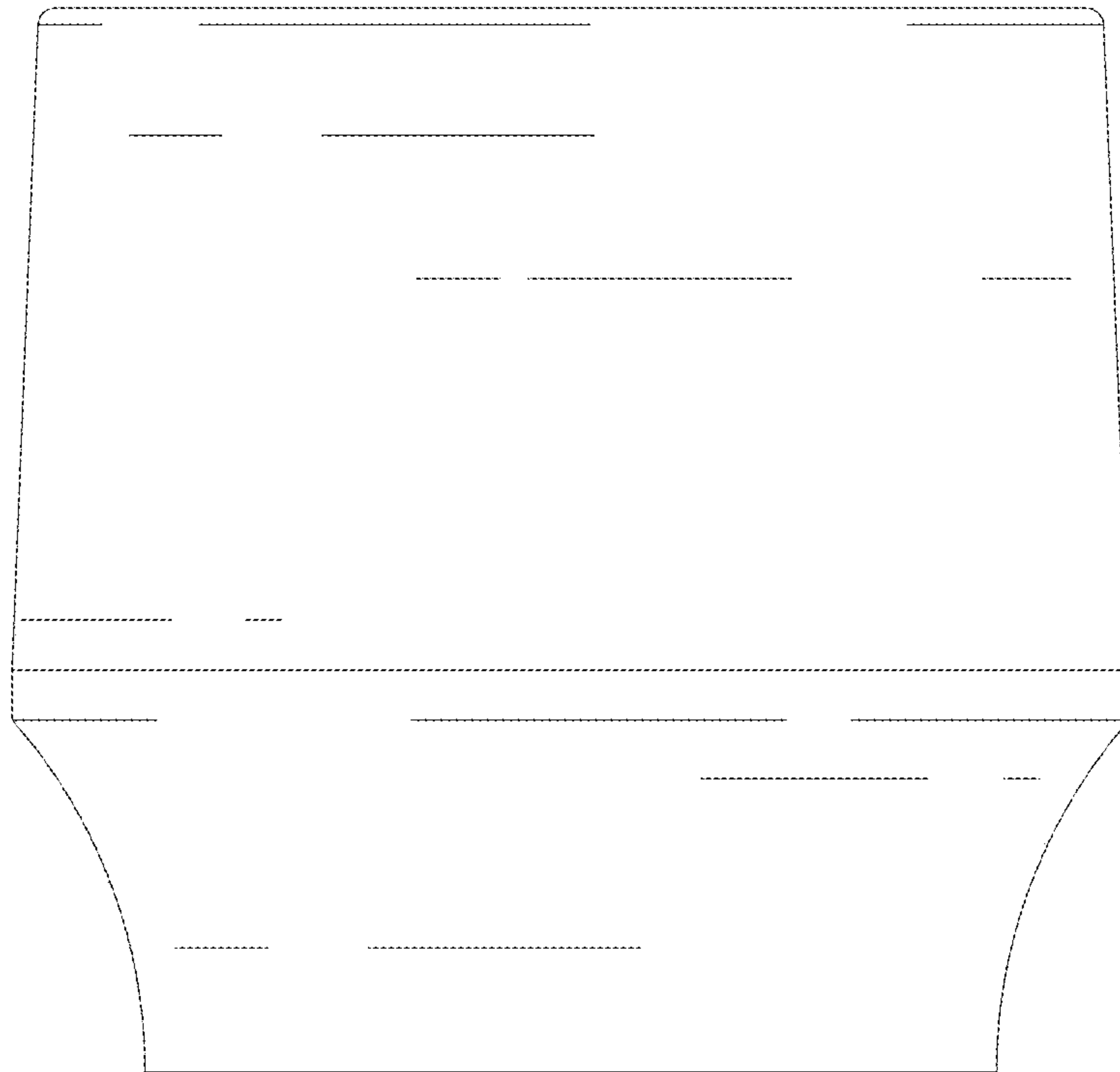
*FIG. 5*



*FIG. 6*



*FIG. 7*



*FIG. 8*