



US00D946758S

(12) **United States Design Patent**
Mirelez, Jr. et al.

(10) **Patent No.:** **US D946,758 S**
(45) **Date of Patent:** **** Mar. 22, 2022**

(54) **MULTI-UNIT ABUTMENT SHORT SCAN BODY**

(71) Applicant: **InstaRisa Technologies, LLC**, Fresno, CA (US)

(72) Inventors: **Jose Arthur Mirelez, Jr.**, Clovis, CA (US); **Jeffrey Bynum**, Brandon, FL (US); **Fernando Polanco**, Clovis, CA (US); **Chandeep Singh Purewal**, Las Vegas, NV (US)

(73) Assignee: **InstaRisa Technologies, LLC**, Fresno, CA (US)

(**) Term: **15 Years**

(21) Appl. No.: **29/760,282**

(22) Filed: **Nov. 30, 2020**

(51) **LOC (13) Cl.** **24-03**

(52) **U.S. Cl.**
USPC **D24/156**

(58) **Field of Classification Search**
USPC D24/156
See application file for complete search history.

(56) **References Cited**

U.S. PATENT DOCUMENTS

D641,877 S * 7/2011 Aldecoa D24/156
D642,271 S * 7/2011 Anitua Aldecoa D24/156

D663,032 S * 7/2012 Mashio D24/156
D663,419 S * 7/2012 Mashio D24/156
D666,295 S * 8/2012 Hung D24/156
D729,389 S * 5/2015 Hart D24/156
D783,825 S * 4/2017 Emanuelli D24/156
D785,179 S * 4/2017 Emanuelli D24/156
D787,676 S * 5/2017 Bolinches D24/156
D806,876 S * 1/2018 Kim D24/156
D808,526 S * 1/2018 Kim D24/156
D817,493 S * 5/2018 Cho D24/152
D894,391 S * 8/2020 Robichaud D24/152

* cited by examiner

Primary Examiner — Charles D Hanson

(74) *Attorney, Agent, or Firm* — Seed Intellectual Property Law Group LLP

(57) **CLAIM**

The ornamental design for a multi-unit abutment short scan body, as shown and described.

DESCRIPTION

FIG. 1 is a top, front, right axonometric view showing our new design.

FIG. 2 is a bottom, rear, left axonometric view showing our new design.

FIG. 3 is a front elevational view thereof.

FIG. 4 is a rear elevational view thereof.

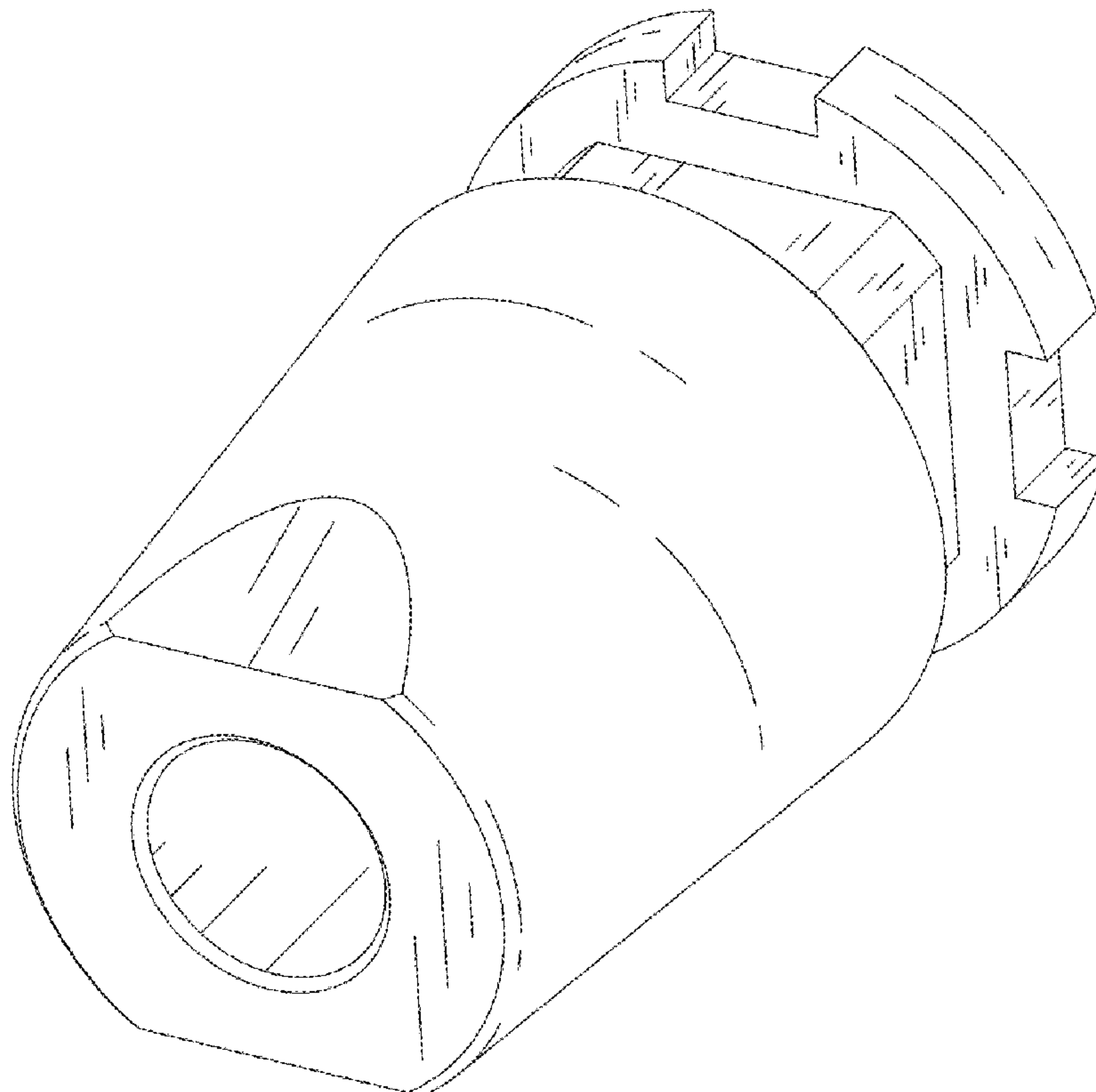
FIG. 5 is a left side elevational view thereof.

FIG. 6 is a right side elevational view thereof.

FIG. 7 is a top plan view thereof; and,

FIG. 8 is a bottom plan view thereof.

1 Claim, 5 Drawing Sheets



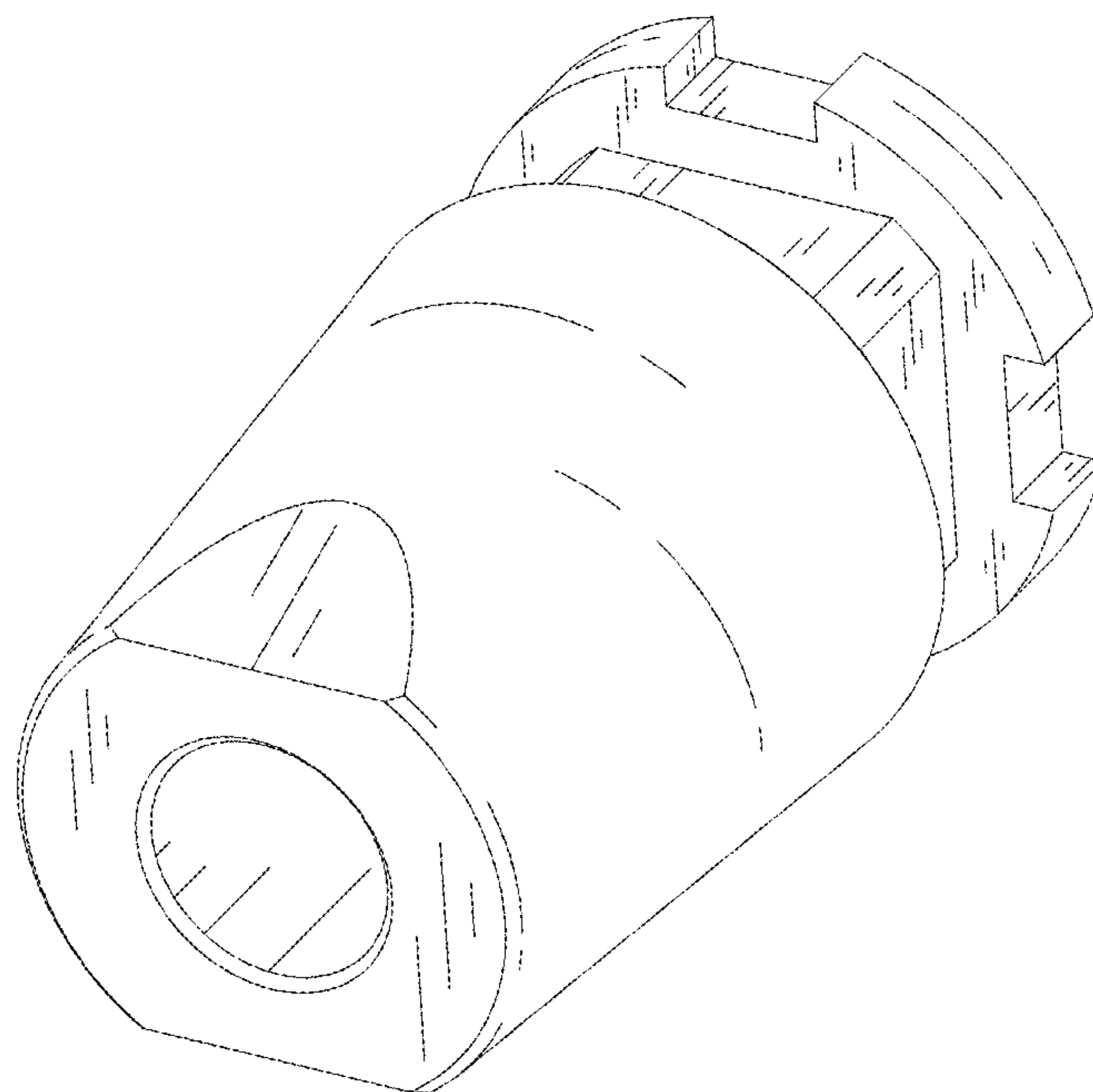


FIG. 1

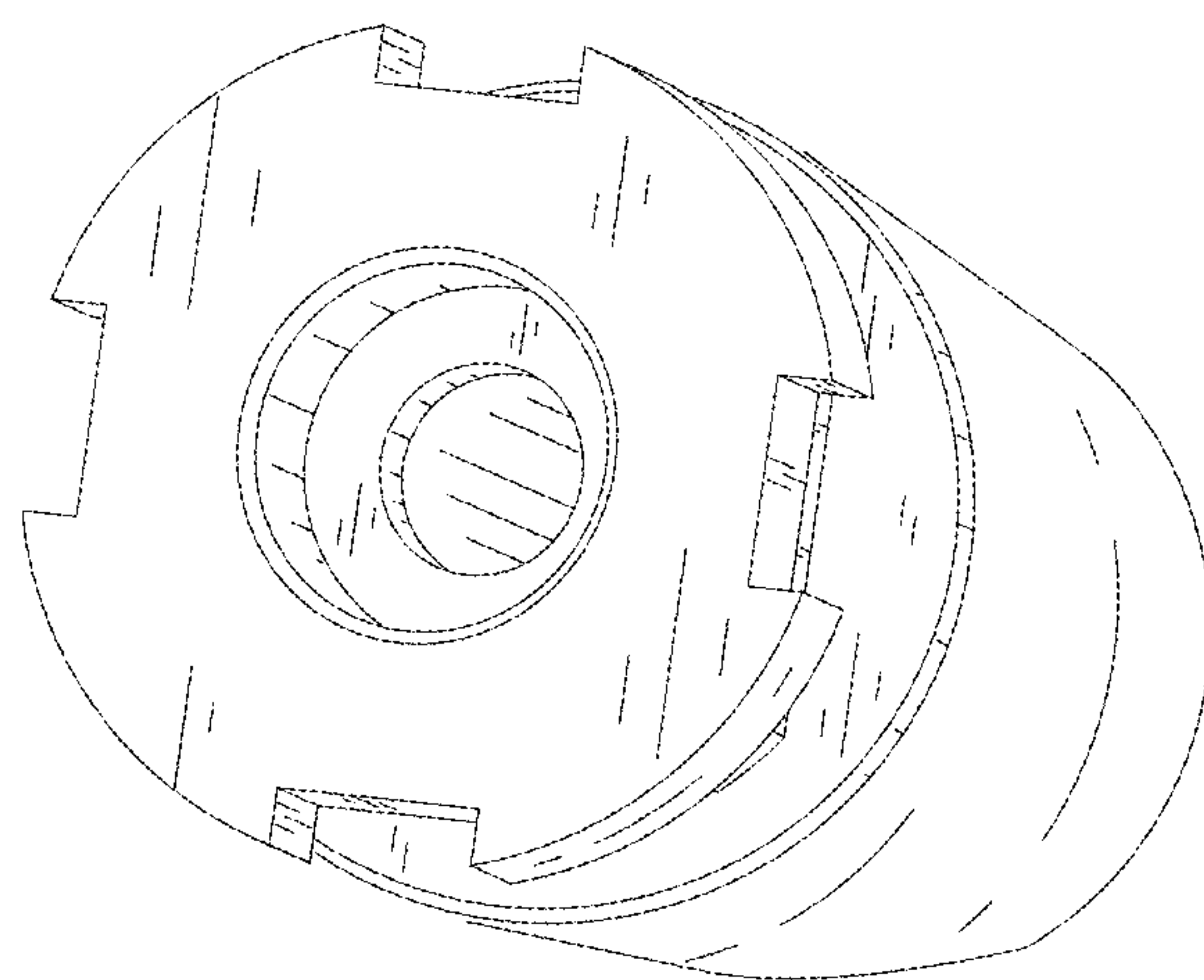


FIG. 2

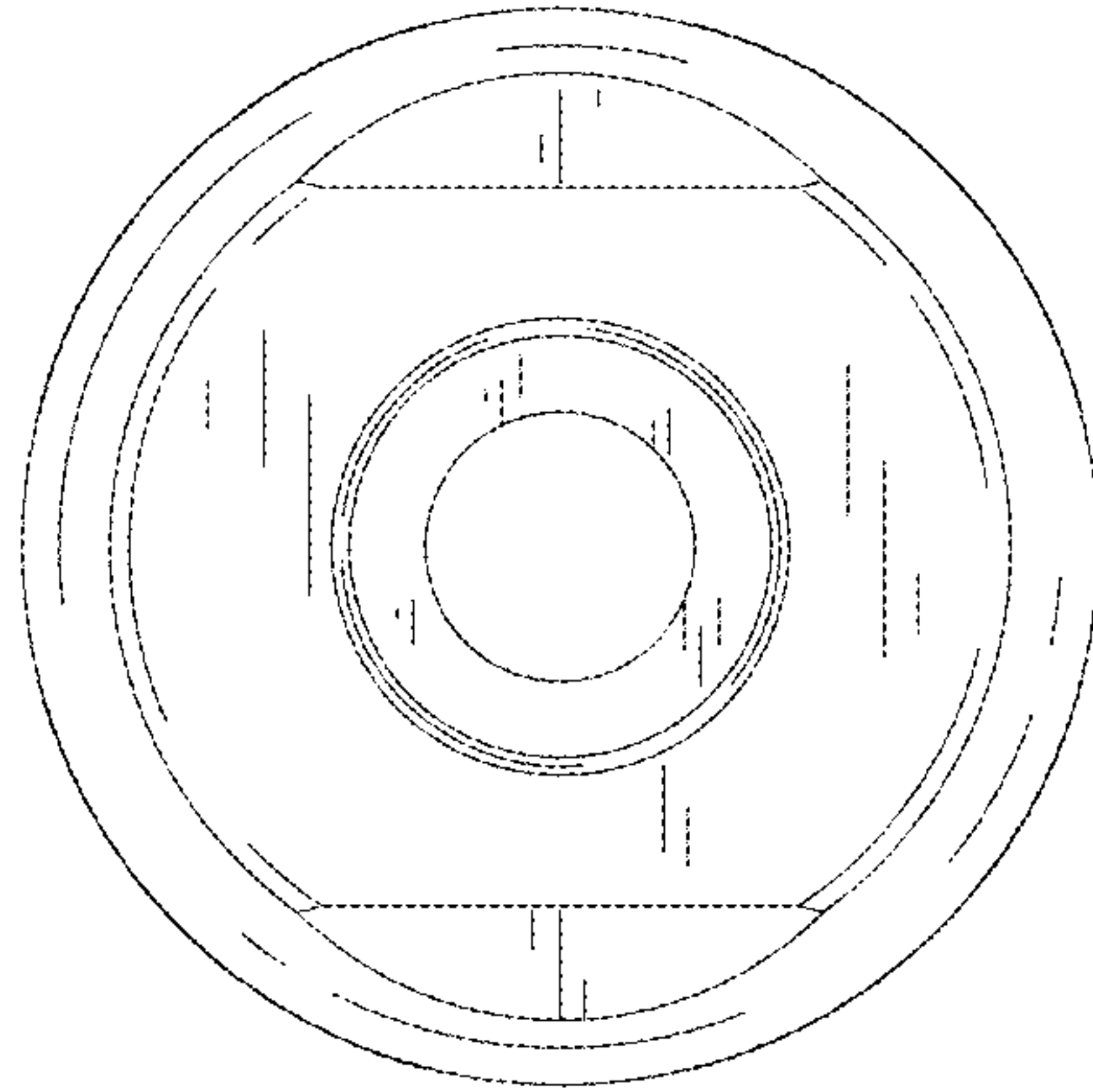


FIG. 3

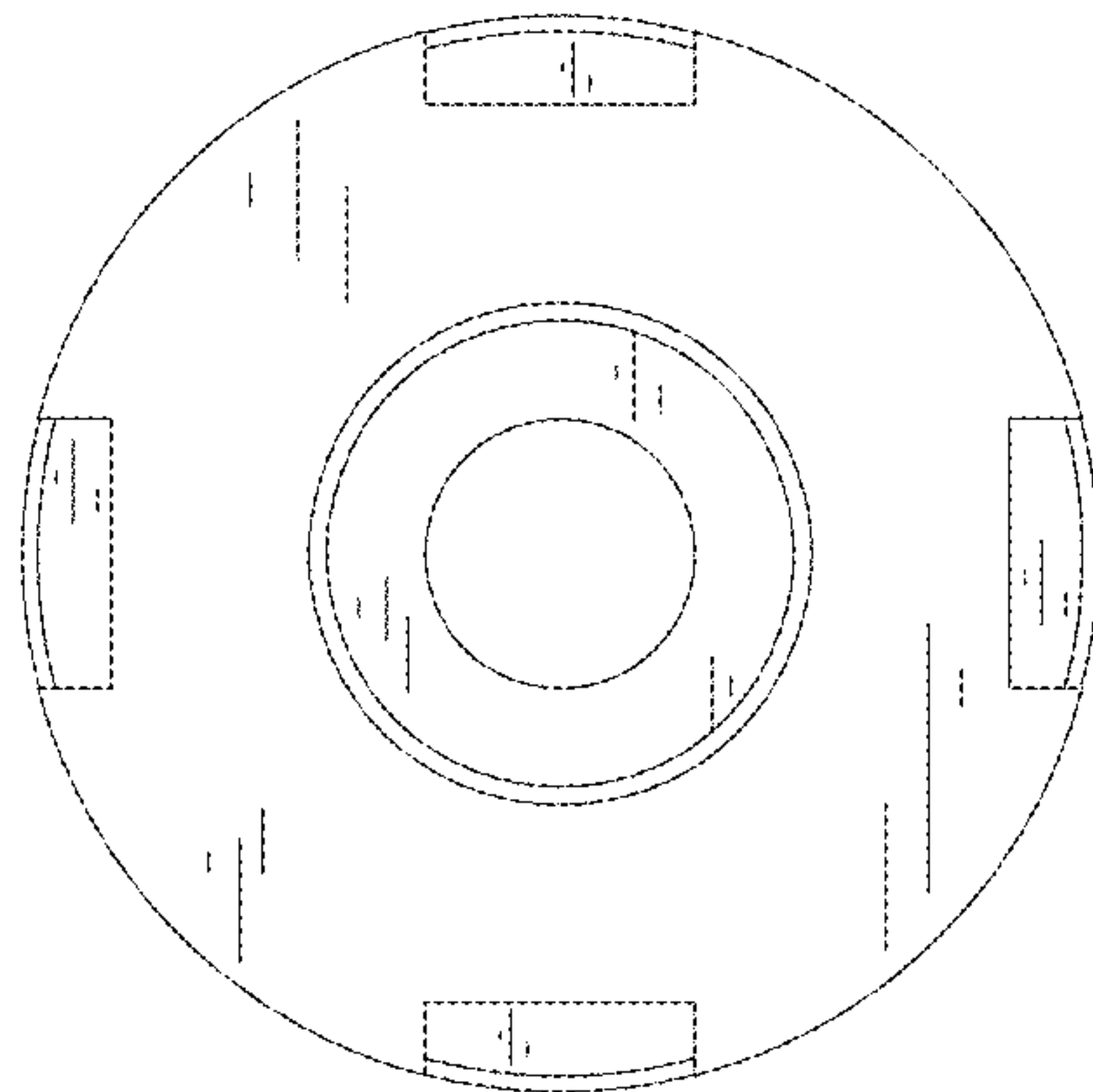


FIG. 4

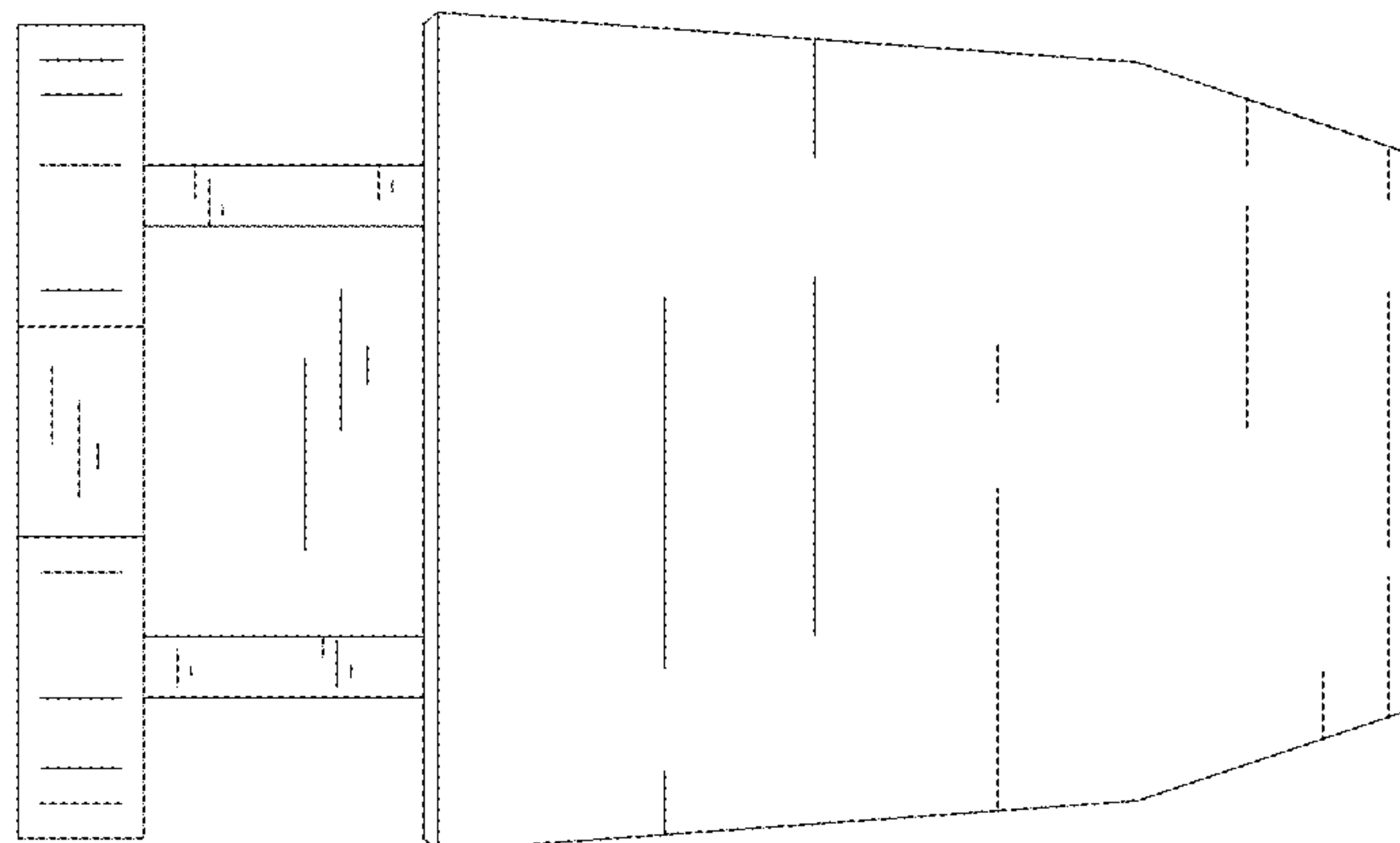


FIG. 5

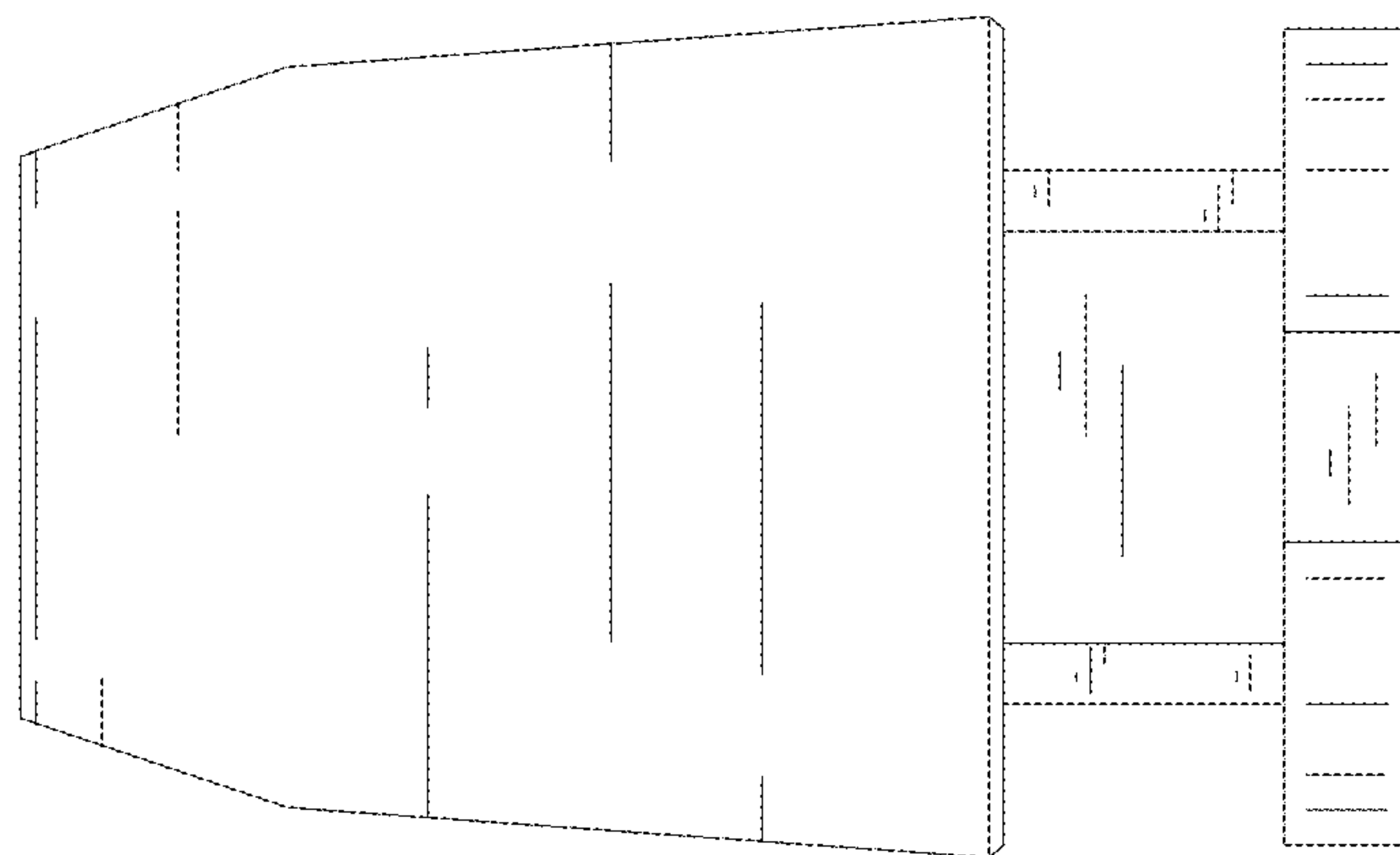


FIG. 6

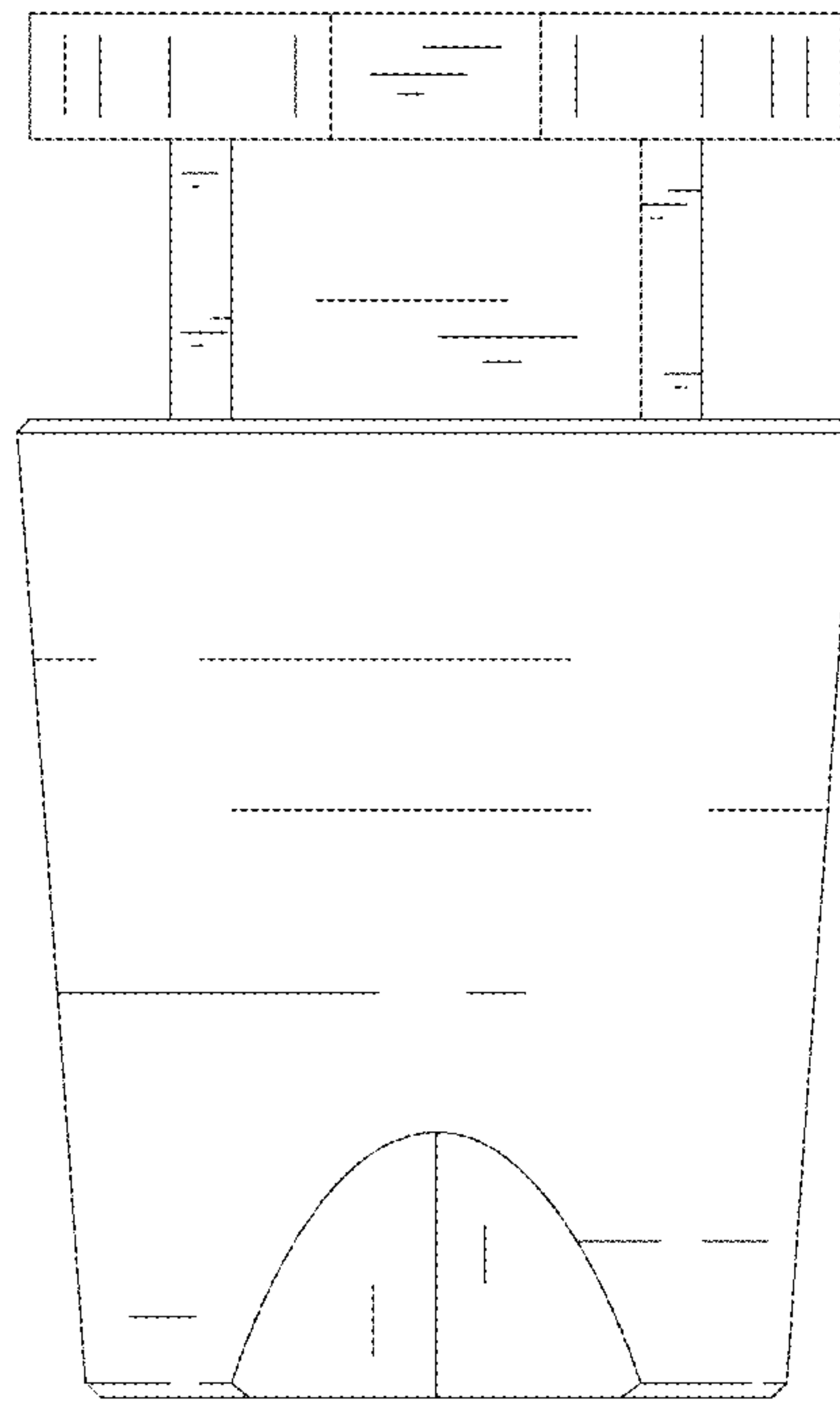


FIG. 7

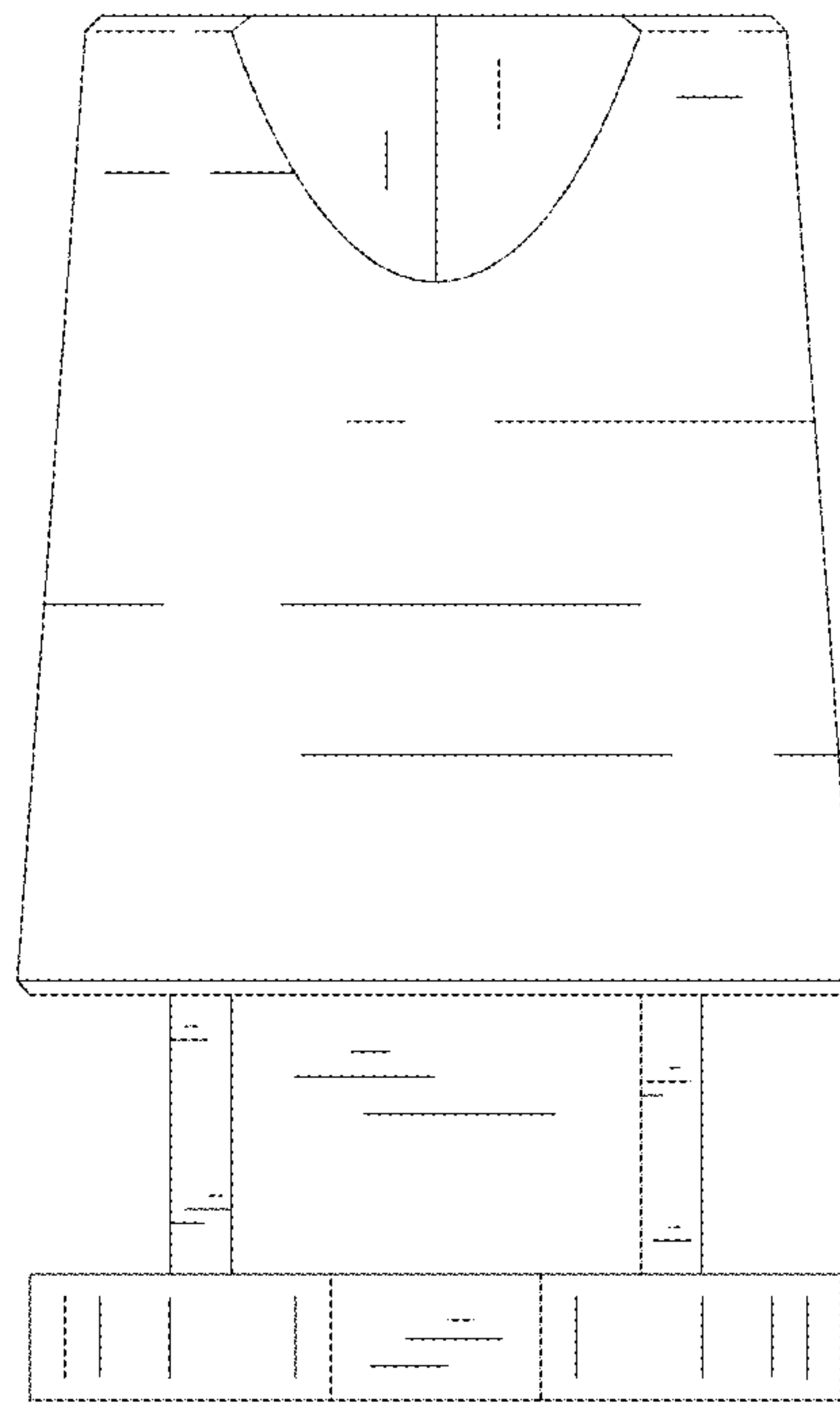


FIG. 8