



US00D946756S

(12) **United States Design Patent**  
**Wang**

(10) **Patent No.:** **US D946,756 S**  
(45) **Date of Patent:** **\*\* Mar. 22, 2022**

- (54) **EAR CLEANING DEVICE SET**
- (71) Applicant: **Heifeng Zhizao(Shenzhen)Technology Co., Ltd**, Shenzhen (CN)
- (72) Inventor: **Shihong Wang**, Shenzhen (CN)
- (73) Assignee: **HEIFENG ZHIZAO(SHENZHEN) TECHNOLOGY CO., LTD**, Shenzhen (CN)

(\*\*) Term: **15 Years**  
 (21) Appl. No.: **29/764,145**  
 (22) Filed: **Dec. 29, 2020**

- (30) **Foreign Application Priority Data**  
 Sep. 30, 2020 (CN) ..... 202030594975.8
- (51) **LOC (13) Cl.** ..... **24-01**
- (52) **U.S. Cl.**  
 USPC ..... **D24/151**
- (58) **Field of Classification Search**  
 USPC ..... D4/100, 101, 102, 103, 120, 127, 128,  
 D4/137, 199; D9/727; D24/119, 127,  
 (Continued)

- (56) **References Cited**  
 U.S. PATENT DOCUMENTS  
 D325,264 S \* 4/1992 Shinohara ..... A46B 11/0027  
 D28/7  
 D342,718 S \* 12/1993 Mackay ..... D13/108  
 (Continued)

**FOREIGN PATENT DOCUMENTS**  
 CN 202030594975.8 \* 5/2021

**OTHER PUBLICATIONS**  
 Amazon, "WiFi Otoscope Ear Wax Removal Kit", first available  
 Sep. 29, 2020. (<https://www.amazon.com/Otoscope-Removal-KFF-Wireless-Endoscope/dp/B08KF15RFB>) (Year: 2020).\*

(Continued)

*Primary Examiner* — Lauren D McVey  
*Assistant Examiner* — Justin A Johnson

(57) **CLAIM**

The ornamental design for an ear cleaning device set, as shown and described.

**DESCRIPTION**

FIG. 1 is an exploded perspective view of an ear cleaning device set showing my new design, wherein the set includes an ear cleaning device and a base for placing the ear cleaning device into;  
 FIG. 2 is a first assembled perspective view of the ear cleaning device set of FIG. 1;  
 FIG. 3 is a second assembled perspective view of the ear cleaning device set of FIG. 1, viewed from another aspect;  
 FIG. 4 is a front elevational view of the ear cleaning device set of FIG. 2;  
 FIG. 5 is a rear elevational view of the ear cleaning device set of FIG. 2;  
 FIG. 6 is a left side elevational view of the ear cleaning device set of FIG. 2;  
 FIG. 7 is a right side elevational view of the ear cleaning device set of FIG. 2;  
 FIG. 8 is a top plan view of the ear cleaning device set of FIG. 2;  
 FIG. 9 is a bottom plan view of the ear cleaning device set of FIG. 2;  
 FIG. 10 is a first perspective view of the ear cleaning device of FIG. 1, shown separately to depict aspects of the design that are not visible when combined;  
 FIG. 11 is a second perspective view of the ear cleaning device of FIG. 1, viewed from another aspect;  
 FIG. 12 is a front elevational view of the ear cleaning device of FIG. 10;  
 FIG. 13 is a rear elevational view of the ear cleaning device of FIG. 10;

(Continued)

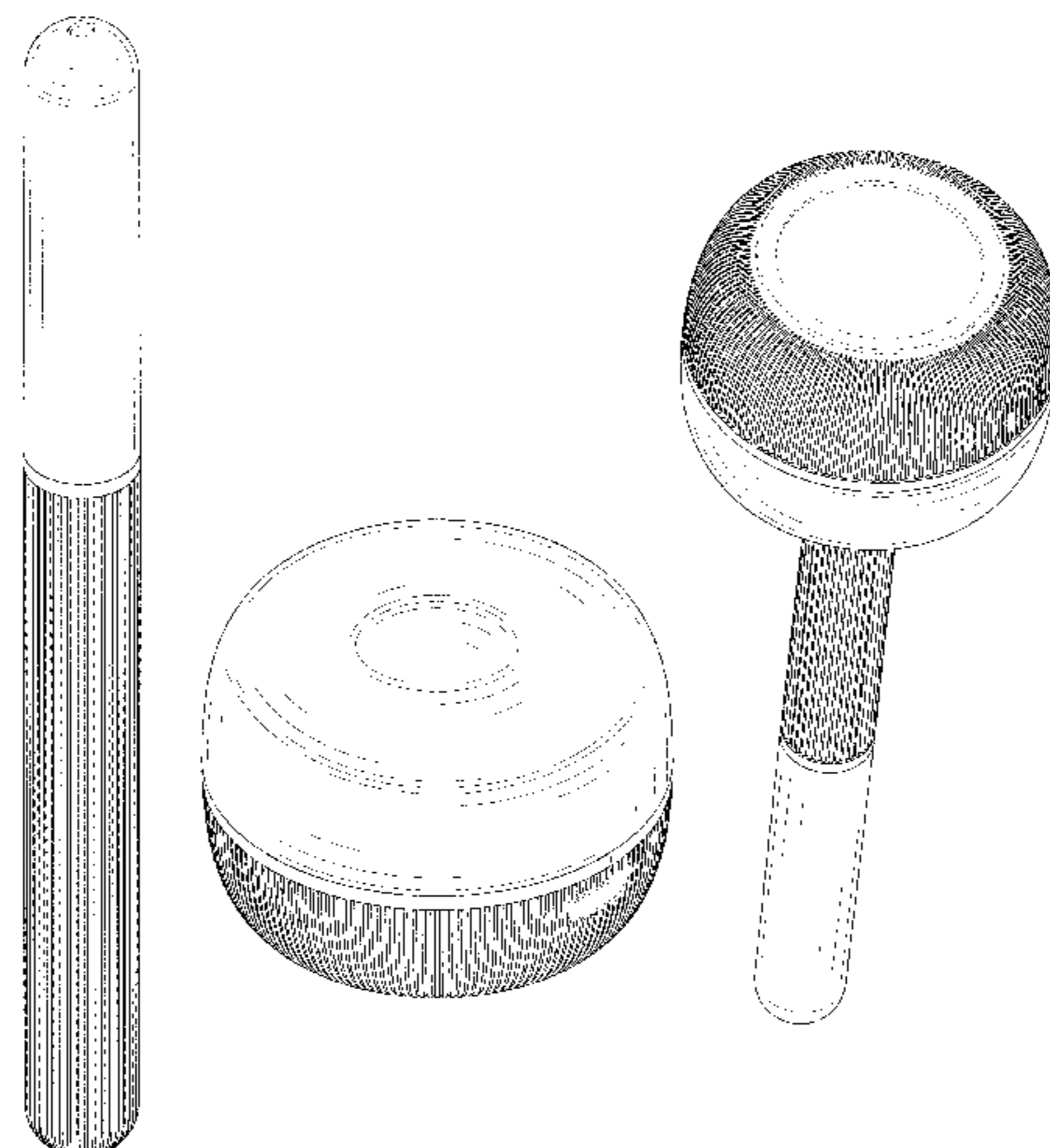


FIG. 14 is a left side elevational view of the ear cleaning device of FIG. 10;  
 FIG. 15 is a right side elevational view of the ear cleaning device of FIG. 10;  
 FIG. 16 is a top plan view of the ear cleaning device of FIG. 10;  
 FIG. 17 is a bottom plan view of the ear cleaning device of FIG. 10;  
 FIG. 18 is an enlarged view of FIG. 17;  
 FIG. 19 is a third perspective view of the ear cleaning device of FIG. 10 showing the ear cleaning device in a state of use;  
 FIG. 20 is a first perspective view of the base for placing the ear cleaning device of FIG. 1, shown separately to depict aspects of the design that are not visible when combined;  
 FIG. 21 is a second perspective view of the base for placing the ear cleaning device of FIG. 1;  
 FIG. 22 is a front elevational view of the base for placing the ear cleaning device of FIG. 20;  
 FIG. 23 is a rear elevational view of the base for placing the ear cleaning device of FIG. 20;  
 FIG. 24 is a left side elevational view of the base for placing the ear cleaning device of FIG. 20;  
 FIG. 25 is a right side elevational view of the base for placing the ear cleaning device of FIG. 20;  
 FIG. 26 is a top plan view of the base for placing the ear cleaning device of FIG. 20;  
 FIG. 27 is a bottom plan view of the base for placing the ear cleaning device of FIG. 20;  
 FIG. 28 is an enlarged view of the circled portion 28 of FIG. 21;  
 FIG. 29 is a cross-sectional view taken at line 29-29 of FIG. 22; and,  
 FIG. 30 is a cross-sectional view taken at line 30-30 of FIG. 26.  
 The even length broken lines immediately adjacent to the shaded areas depict the bounds of the claimed design, while all other even length broken lines are directed to environment. In addition, the dot-dot-dash broken lines illustrate

enlarged portions of the design. None of the broken lines form part of the claimed design.

**1 Claim, 18 Drawing Sheets**

(58) **Field of Classification Search**

USPC ..... D24/128, 133, 135, 151, 173, 231, 232;  
 D28/7, 58, 61, 73, 85, 99  
 CPC ..... A46B 5/00; A46B 7/10; A46B 13/001;  
 A46B 13/02; A46B 13/023; A46B 13/08;  
 A46B 17/00; A46B 17/04; A46B 17/06;  
 A46B 17/065; A46B 17/08; A46B  
 2200/1006; A46B 2200/30; A61B  
 2018/00327; A61Q 90/00; A61F 11/00;  
 A61F 11/006

See application file for complete search history.

(56) **References Cited**

U.S. PATENT DOCUMENTS

D443,107	S	*	5/2001	Friesenhahn	.....	D28/8.1
D447,835	S	*	9/2001	Whitaker	.....	D1/130
7,500,981	B1	*	3/2009	Jubrail	.....	A61F 11/006 606/162
D615,491	S	*	5/2010	Emminger	.....	D13/108
D621,347	S	*	8/2010	Aulwes	.....	D13/108
D757,938	S		5/2016	Jackson		
D797,293	S		9/2017	Bansal et al.		
D798,447	S	*	9/2017	Leather	.....	D24/135
D832,521	S	*	10/2018	West	.....	A61F 11/006 D28/76
D850,114	S	*	6/2019	Ghahary	.....	D4/102
D866,763	S	*	11/2019	Khademhosseini	.....	D24/151
D918,586	S	*	5/2021	Liu	.....	D4/100
2004/0240928	A1	*	12/2004	Trocino	.....	A46B 11/0027 401/277

OTHER PUBLICATIONS

Axel Glade, "Spade", first available Aug. 29, 2020. (<https://www.axelglade.com/products/spade>) (Year: 2020).\*

Amazon, "QIMIC Ear Wax Removal Camera", first available Jul. 13, 2021. (<https://www.amazon.com/dp/B0999JSX9Q/>) (Year: 2021).\*

Amazon, "BEBIRD Note3 Pro", first available Jun. 30, 2021. (<https://www.amazon.com/BEBIRD%C2%AE-Tweezers-Million-GyroscopeIntelligent-Otoscope/dp/B096DTVM9F?th=1>) (Year: 2021).\*

\* cited by examiner

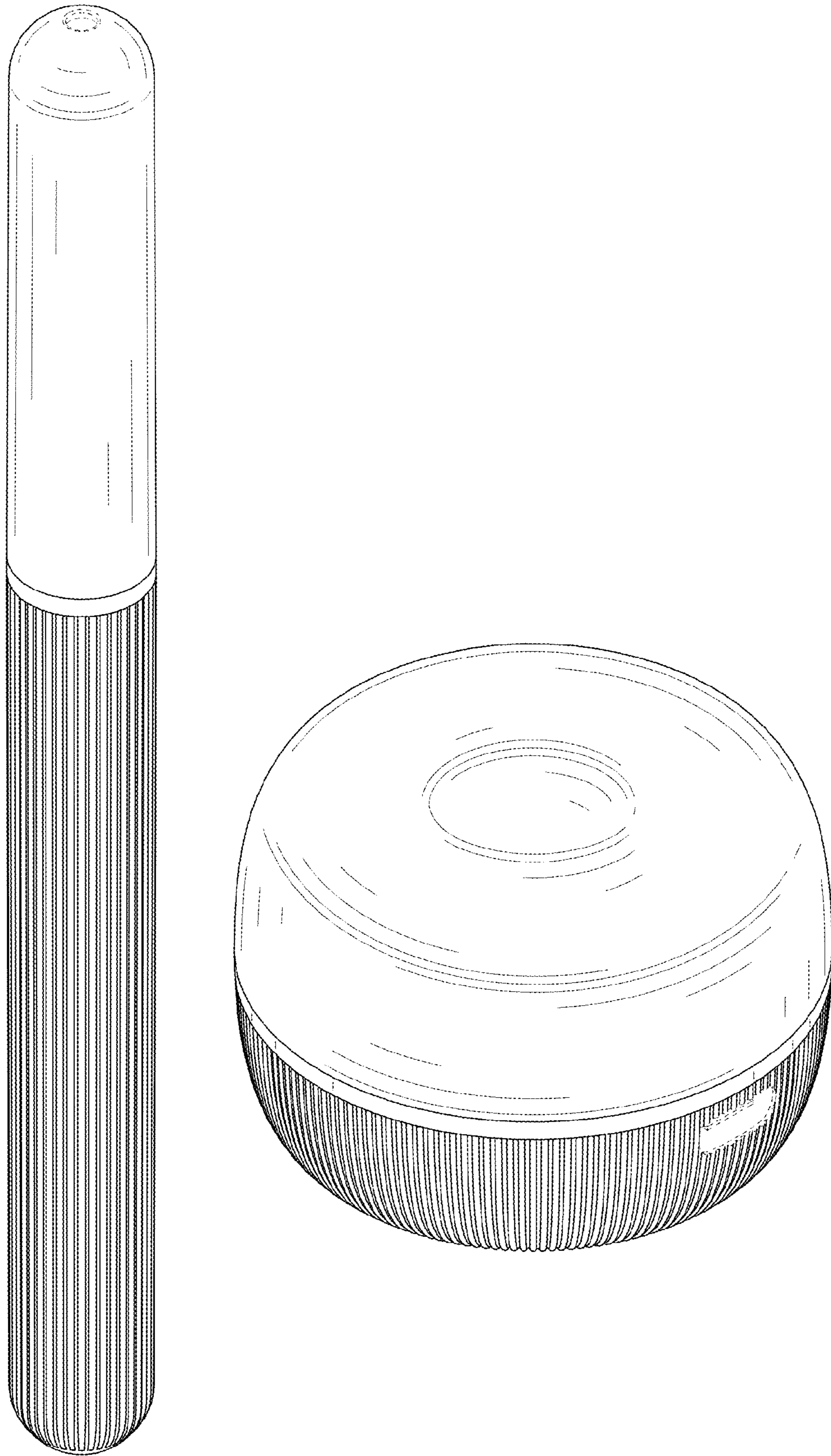


FIG. 1

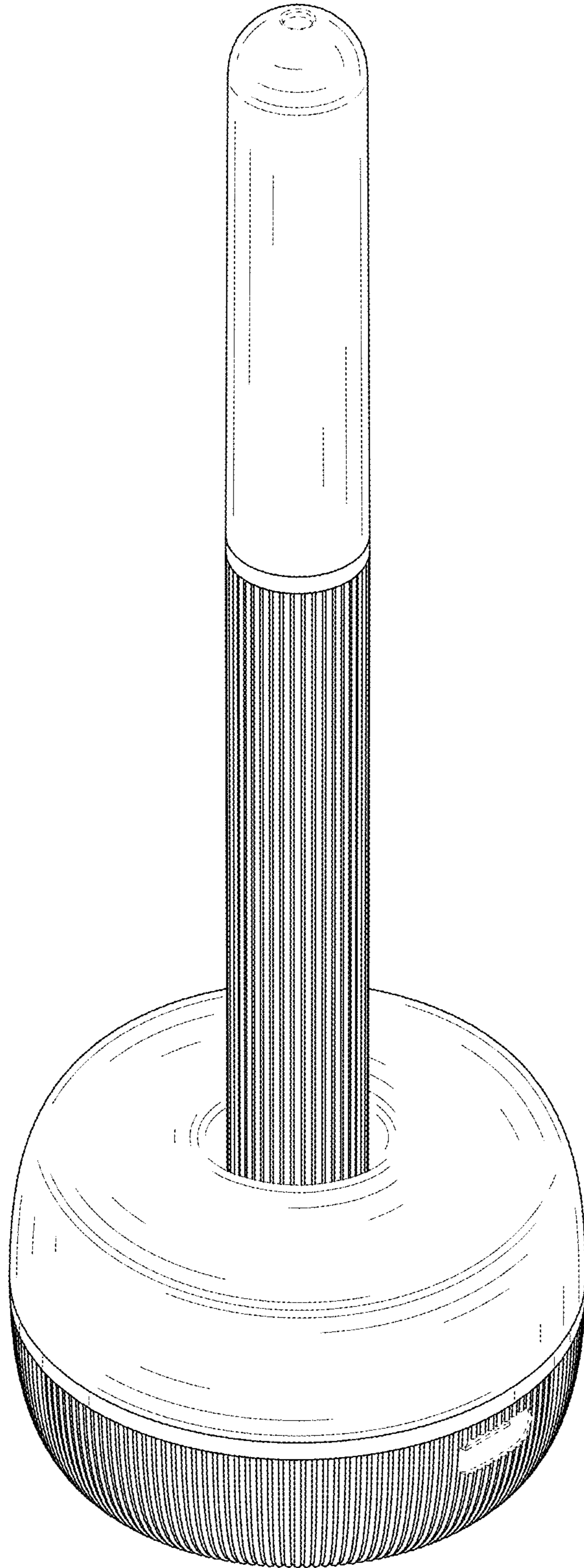


FIG. 2

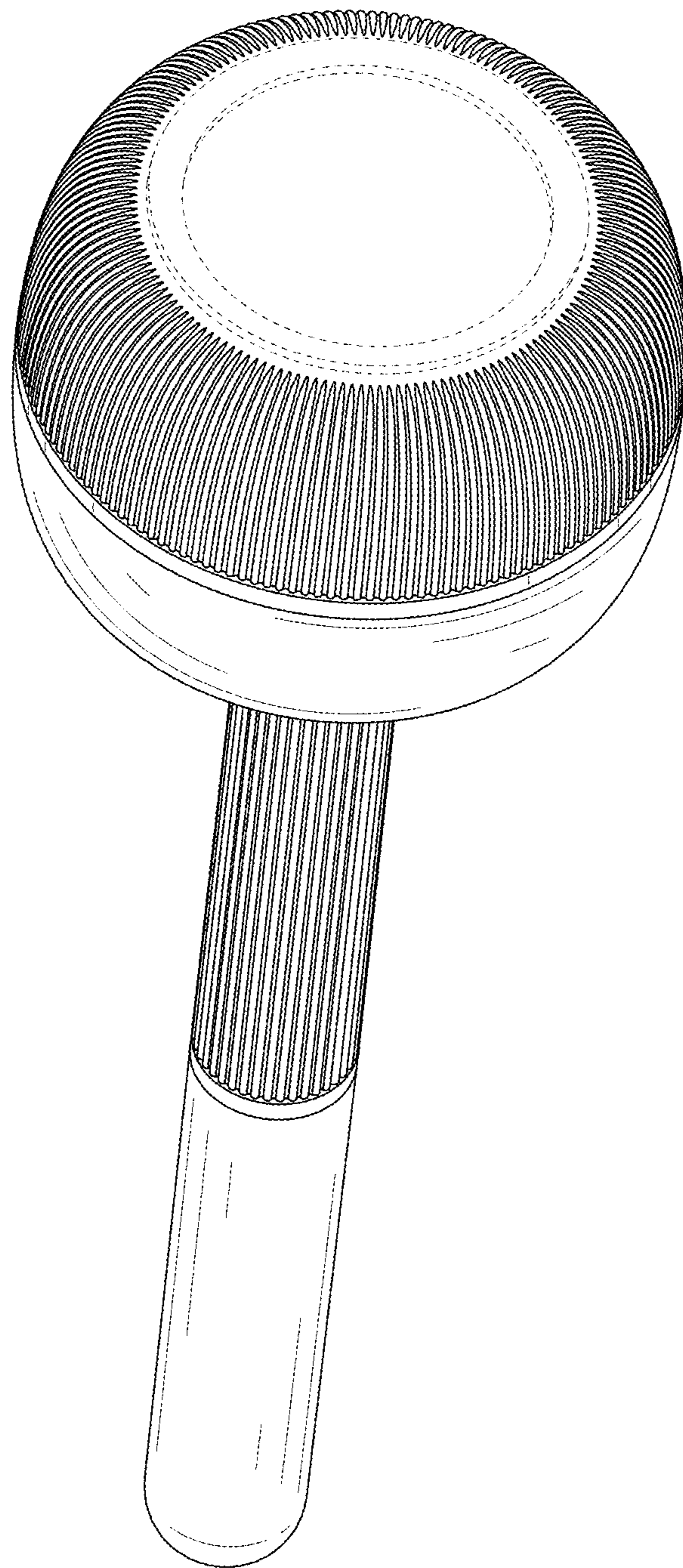


FIG. 3

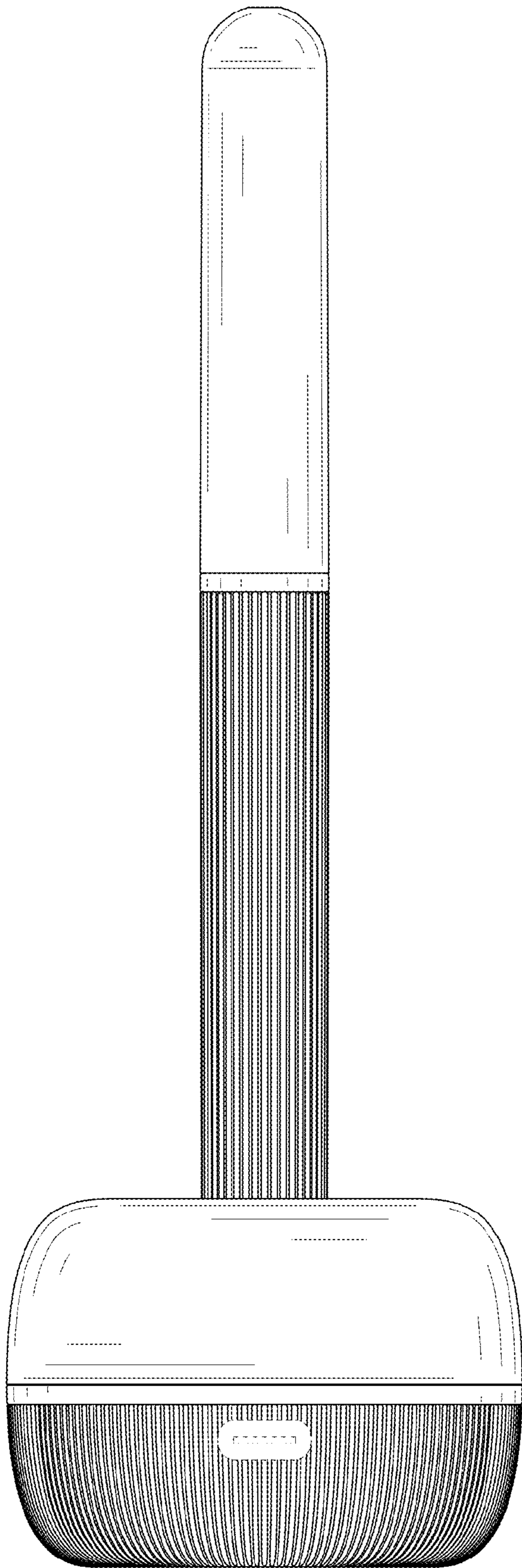


FIG. 4

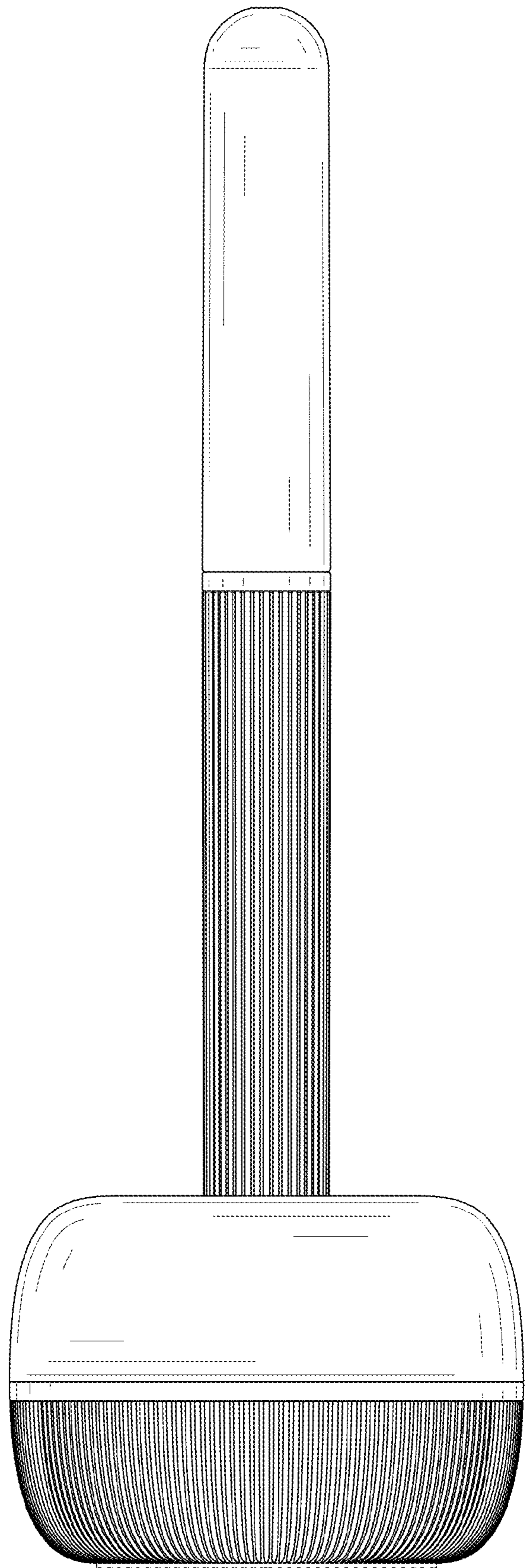


FIG. 5

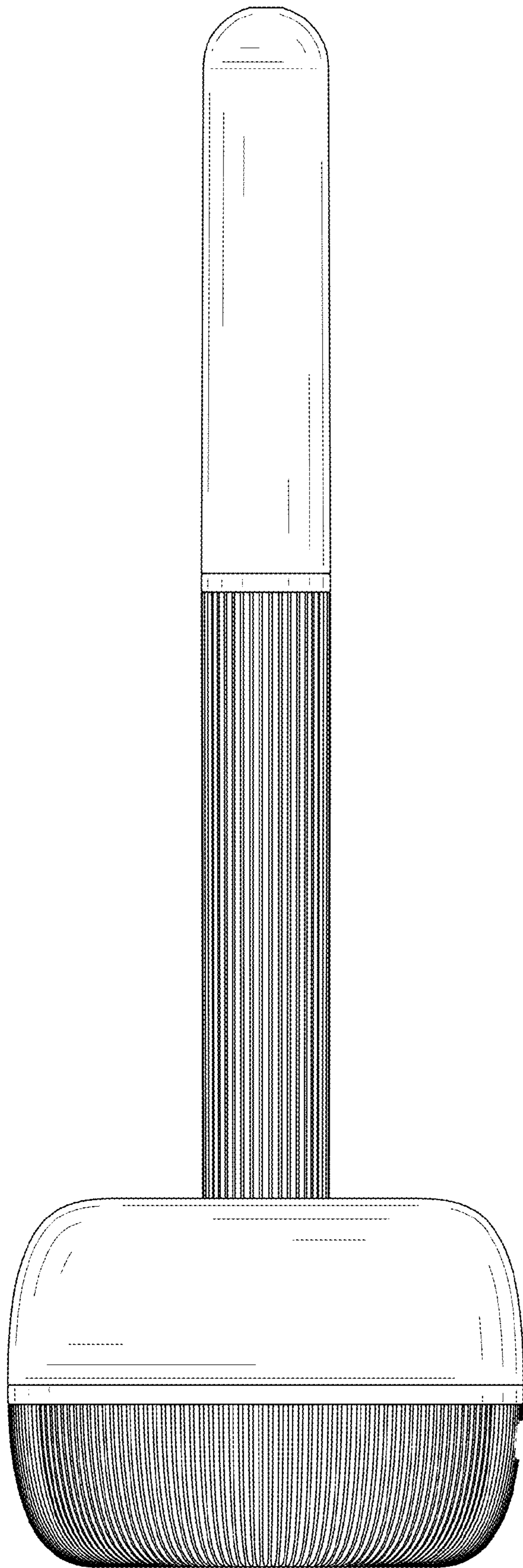


FIG. 6

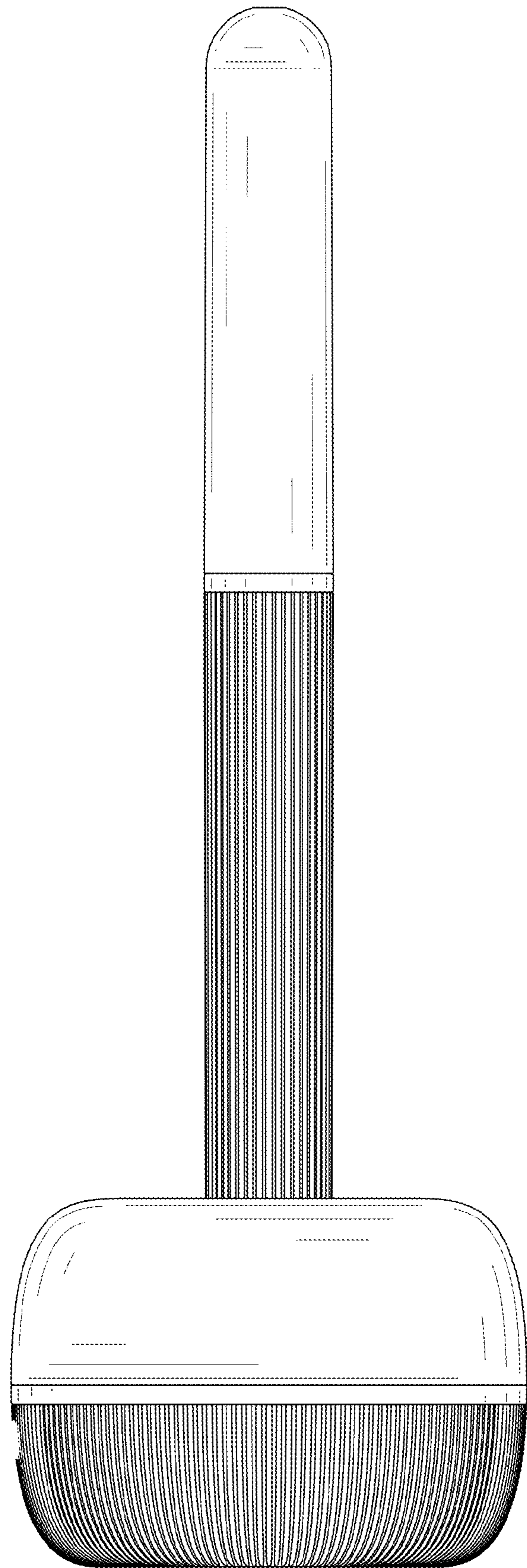


FIG. 7

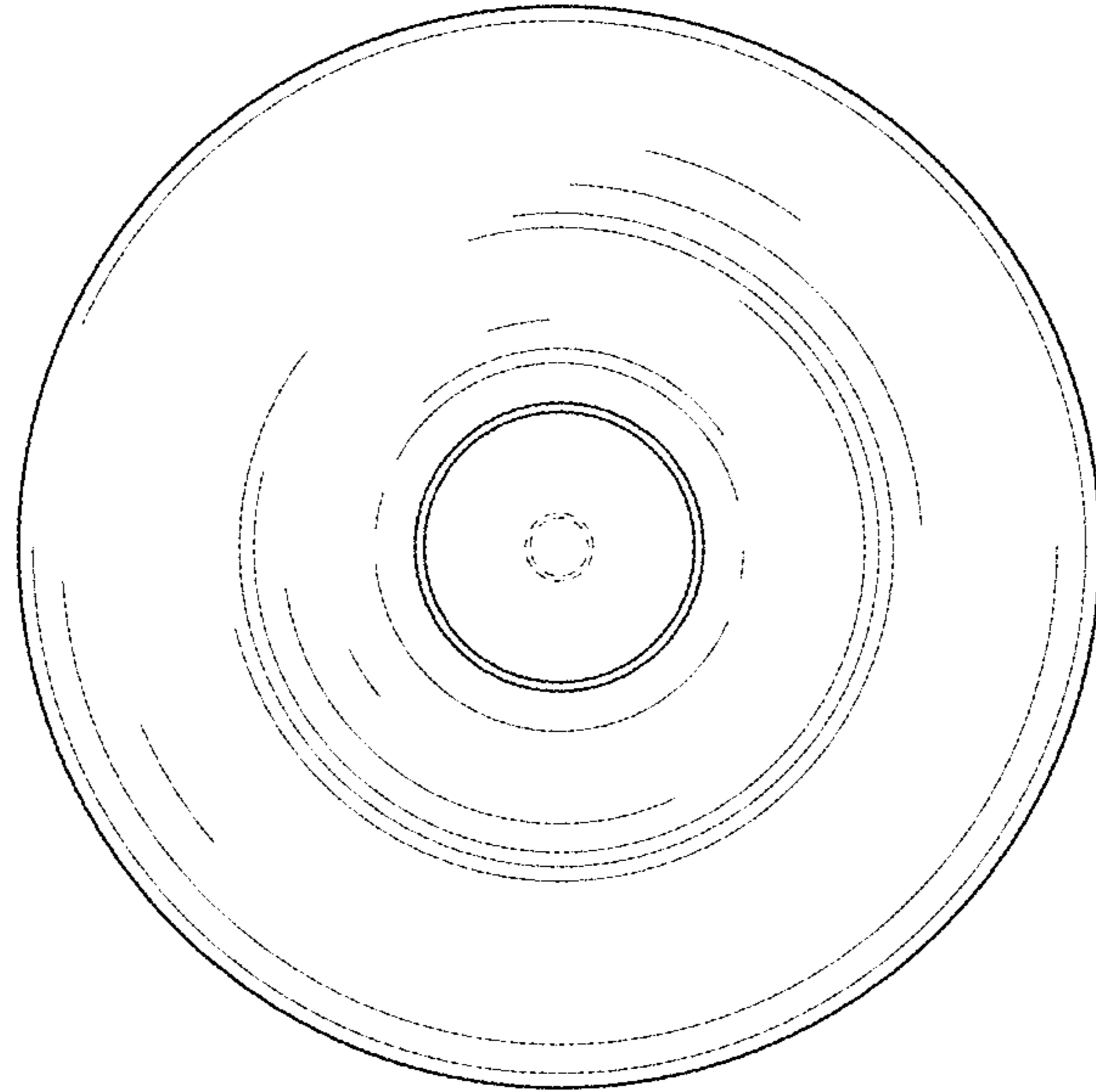


FIG. 8

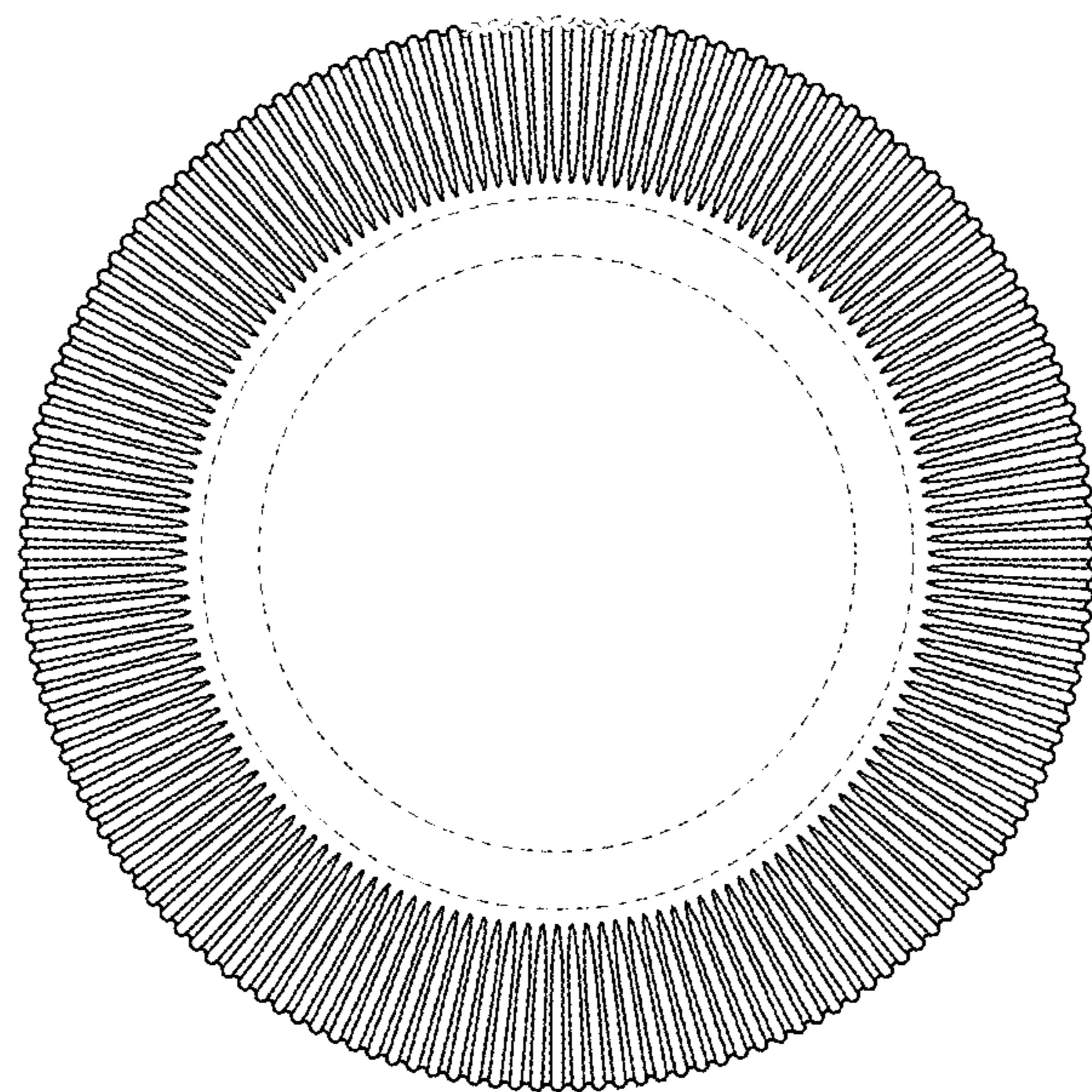


FIG. 9



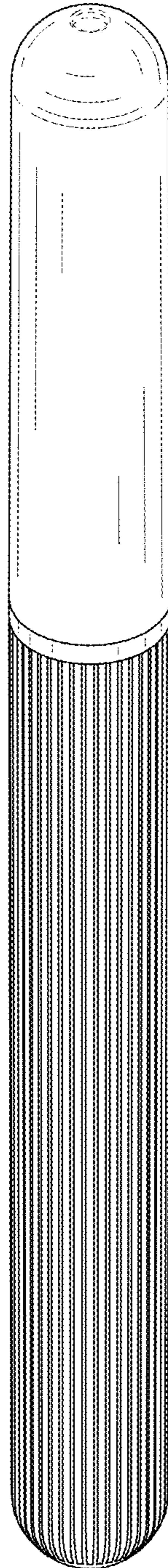


FIG. 10

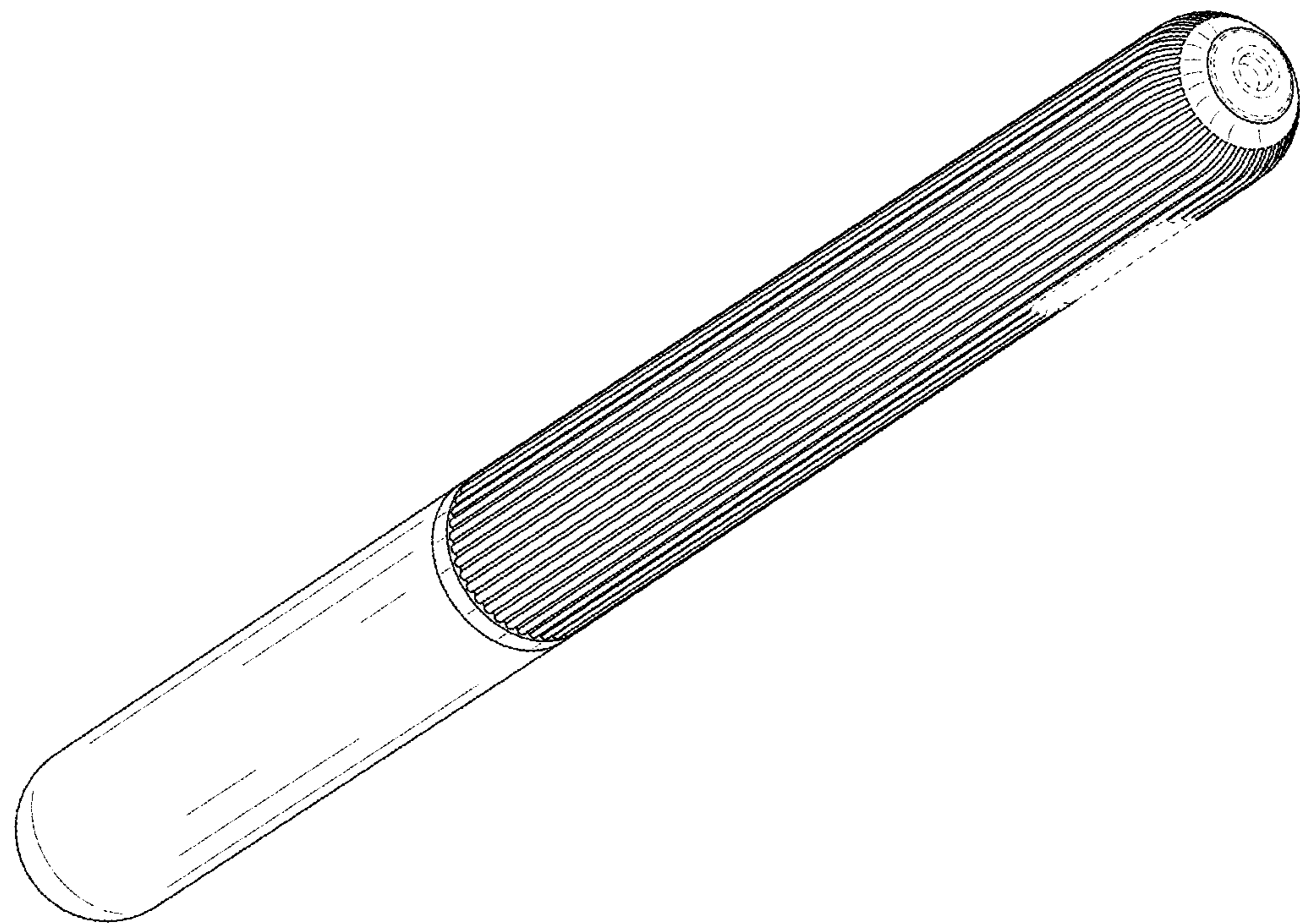


FIG. 11

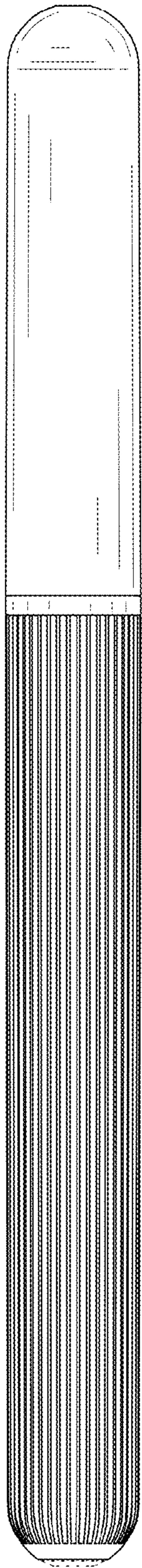


FIG. 12

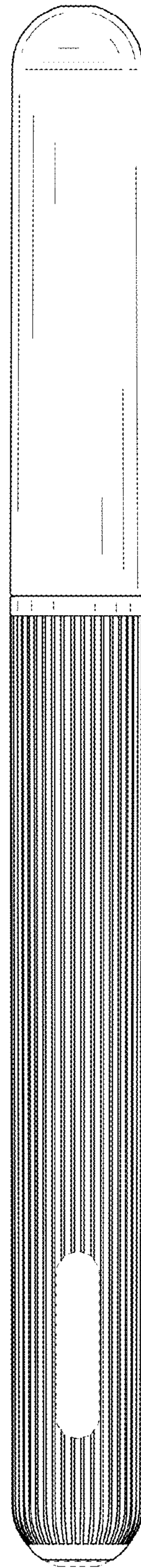


FIG. 13

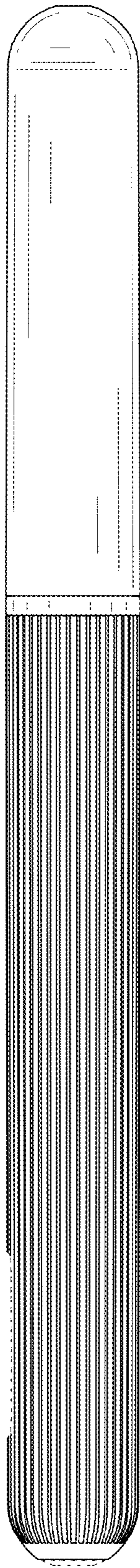


FIG. 14

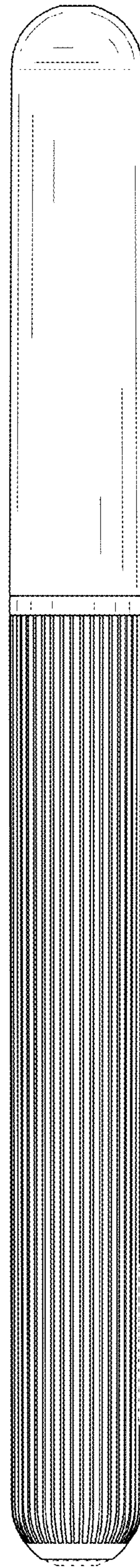


FIG. 15

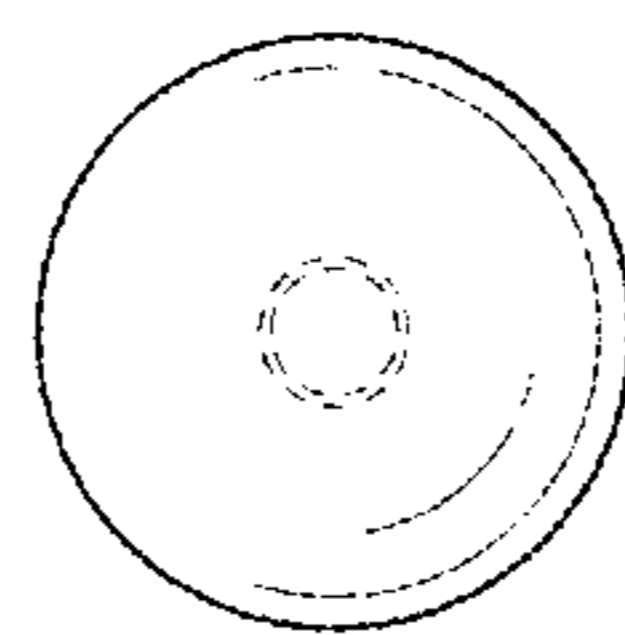


FIG. 16

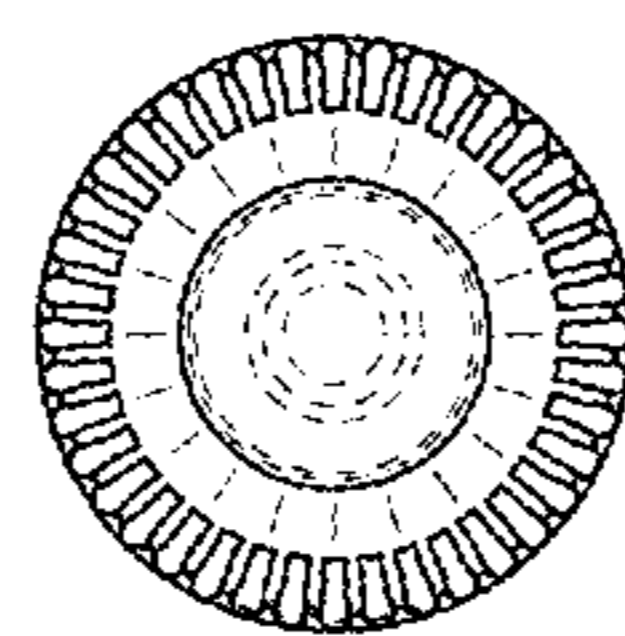


FIG. 17

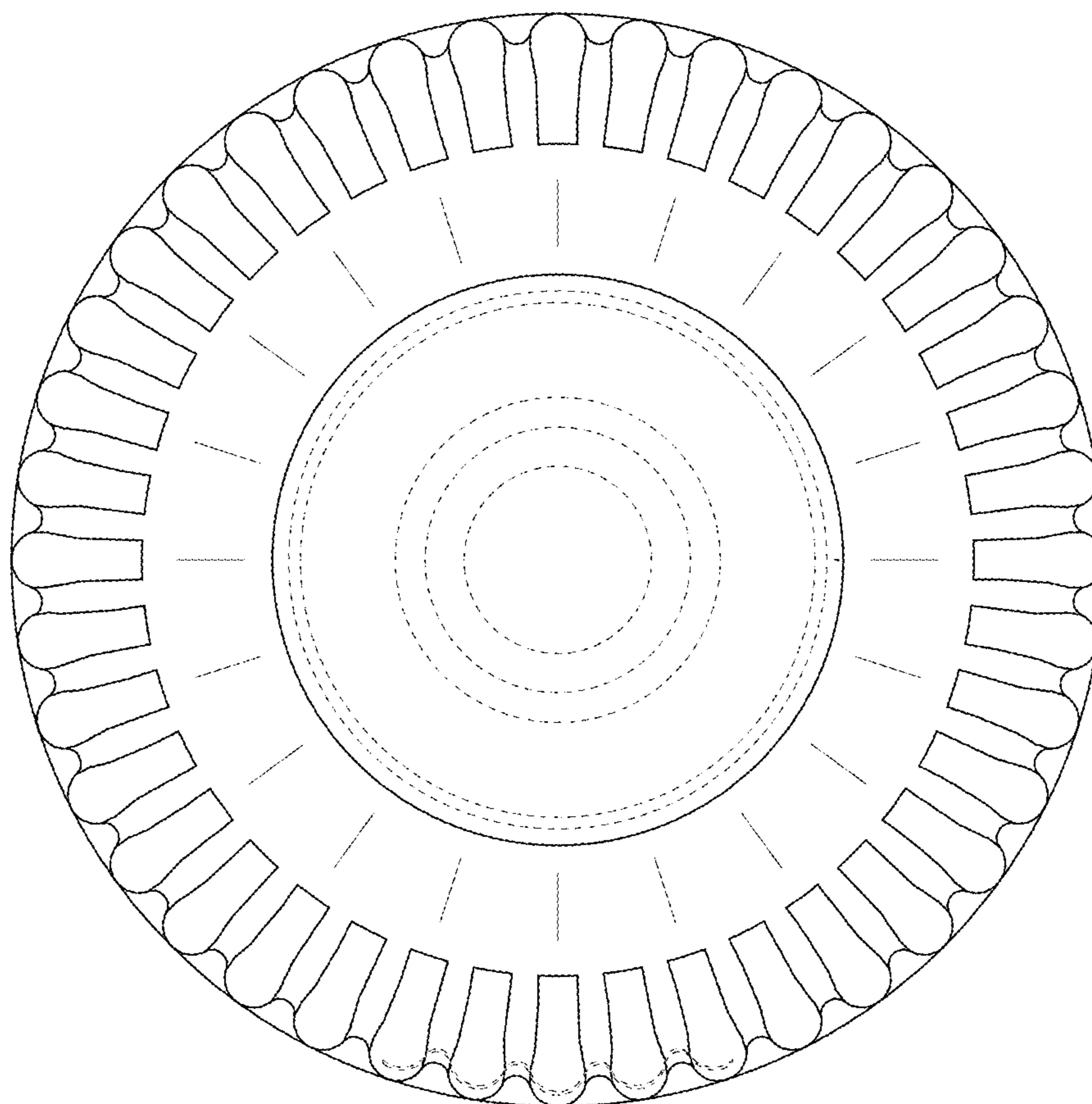


FIG. 18

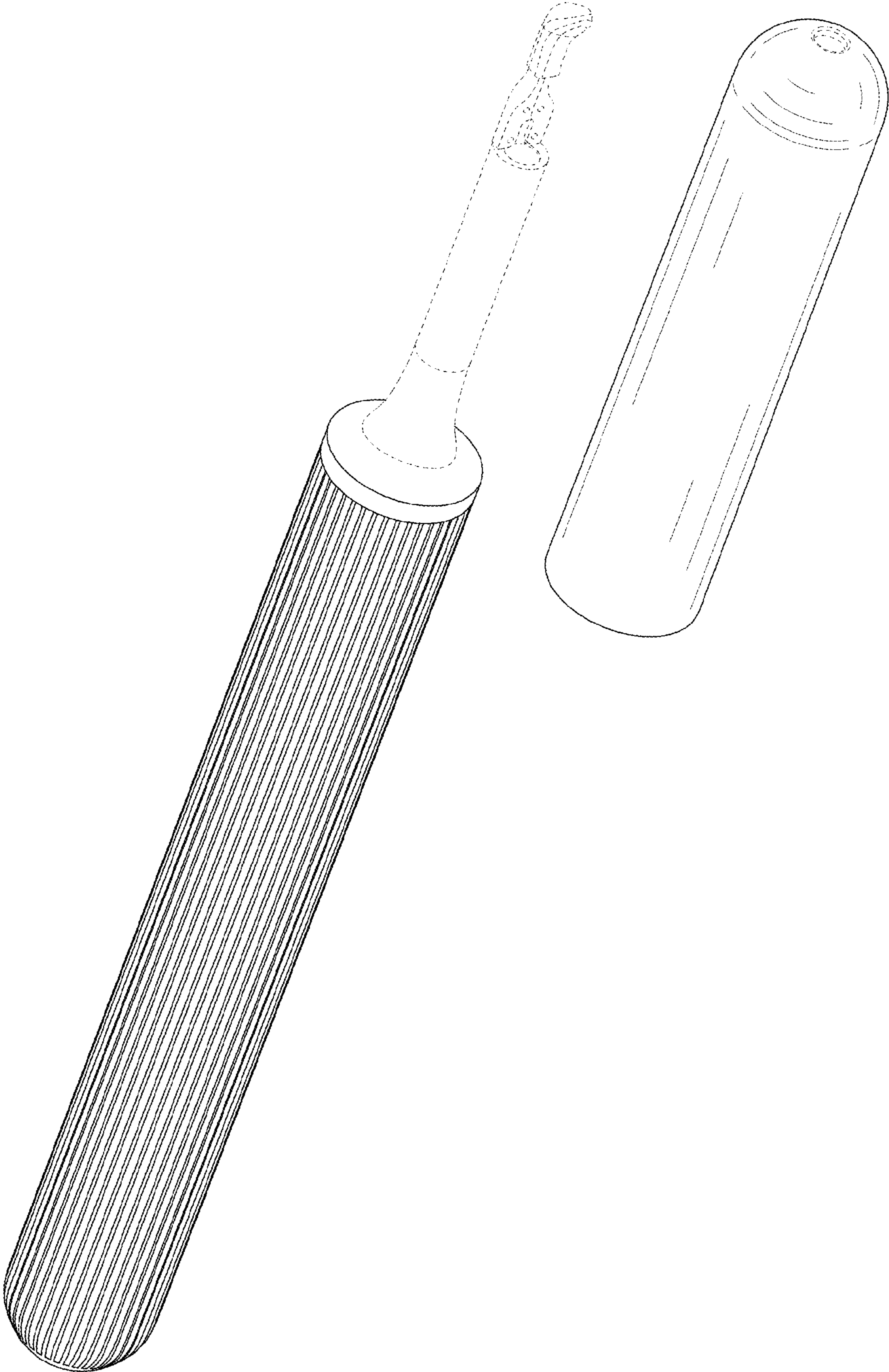


FIG. 19

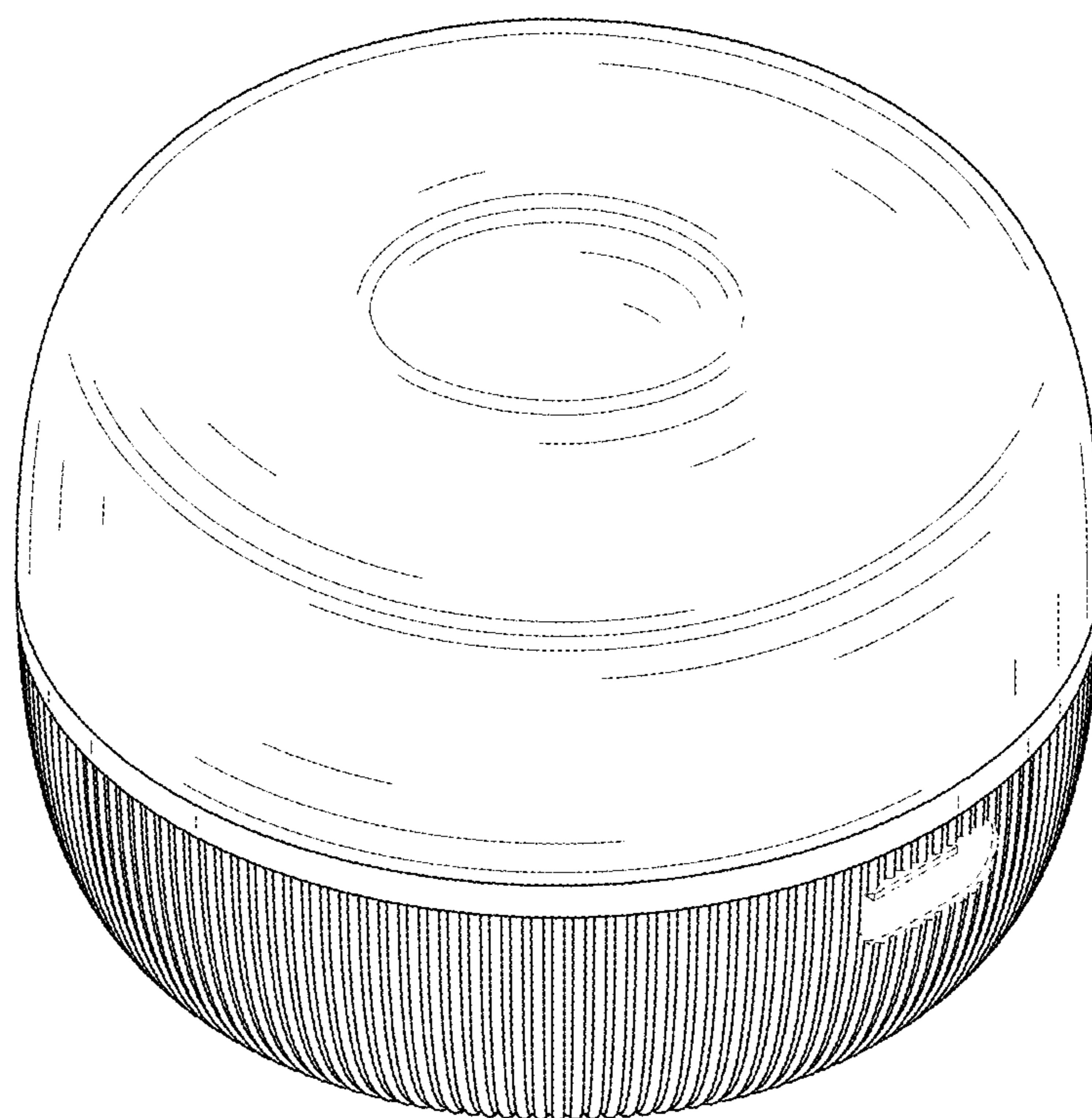


FIG. 20

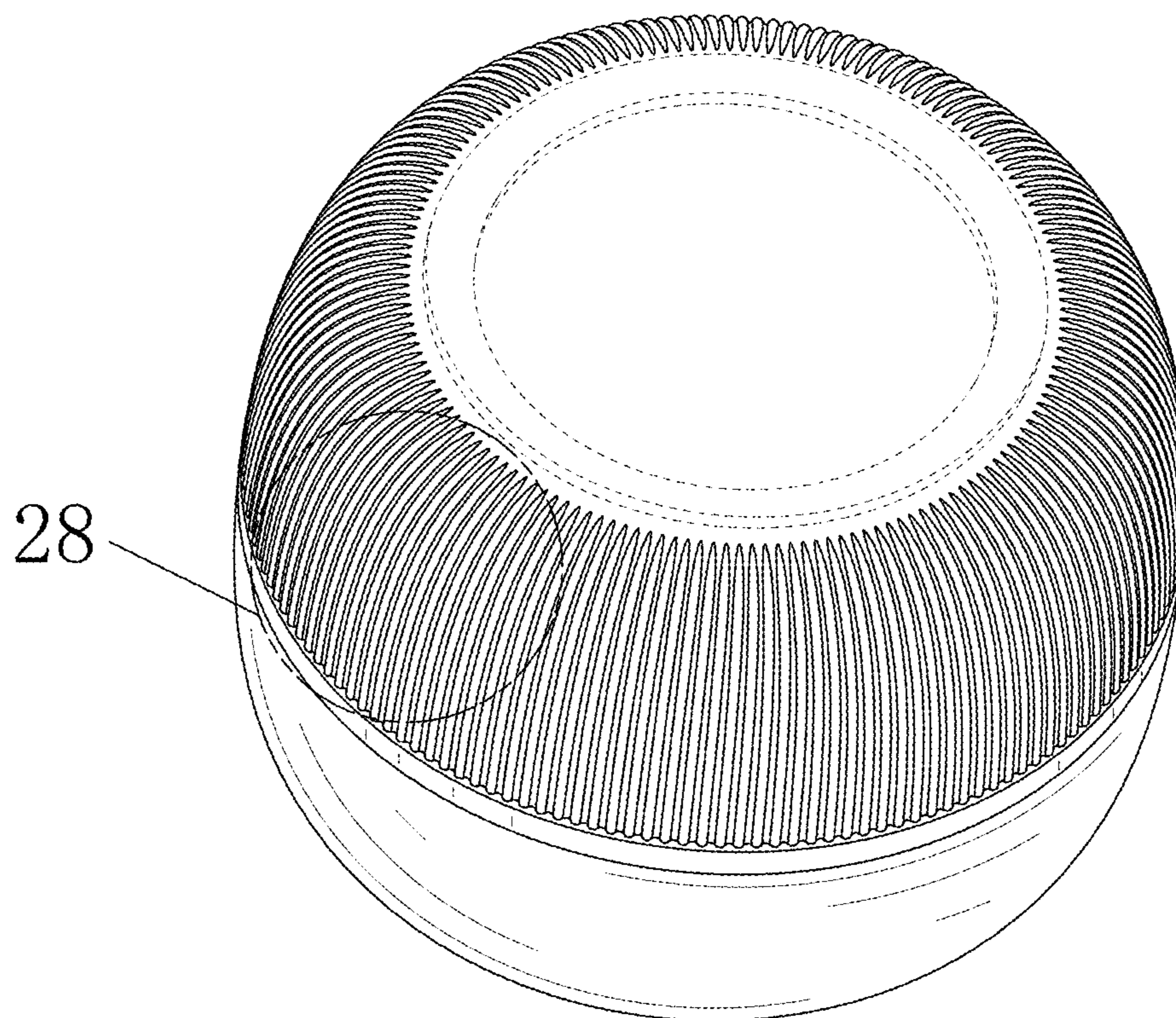


FIG. 21

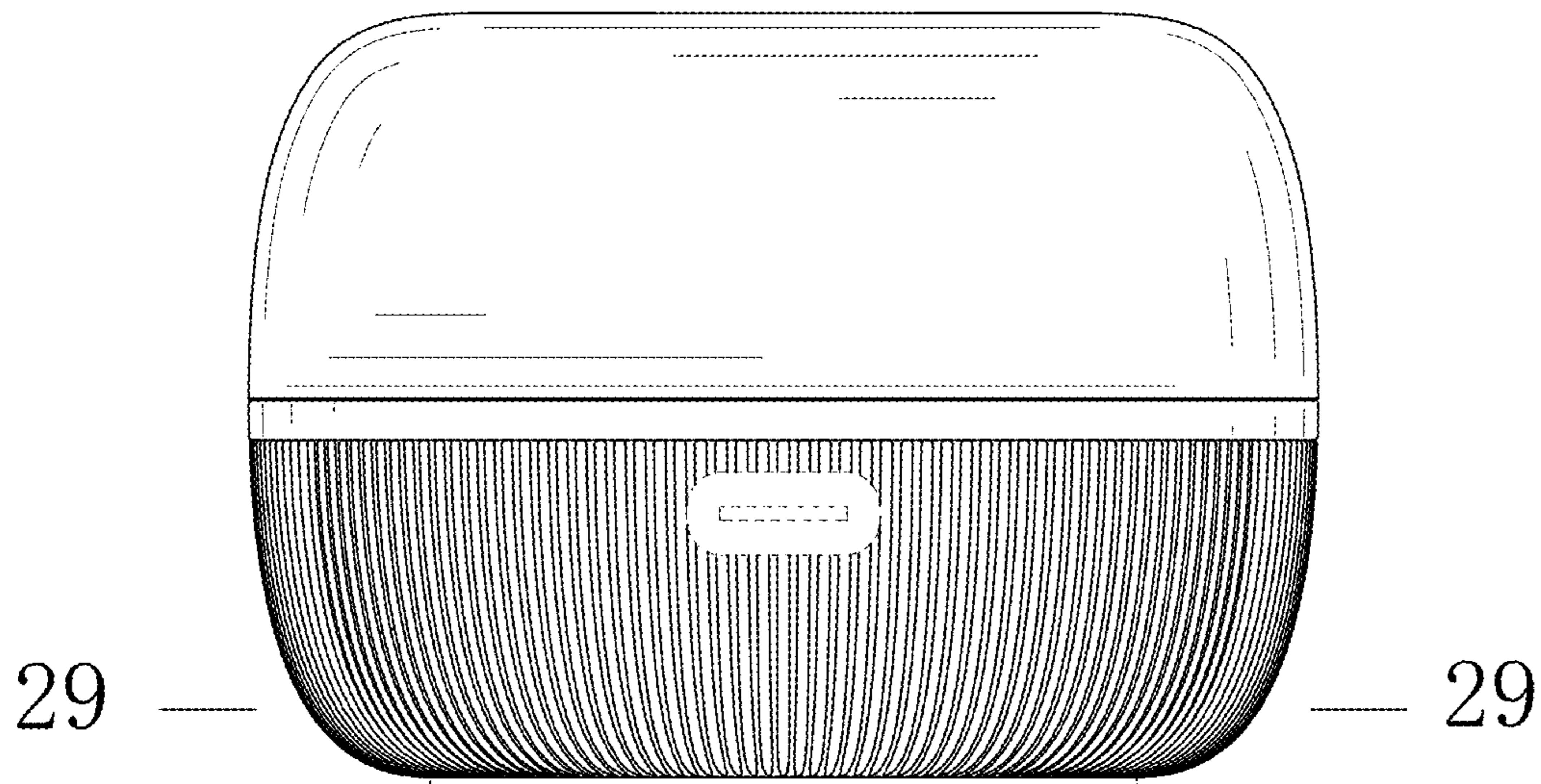


FIG. 22

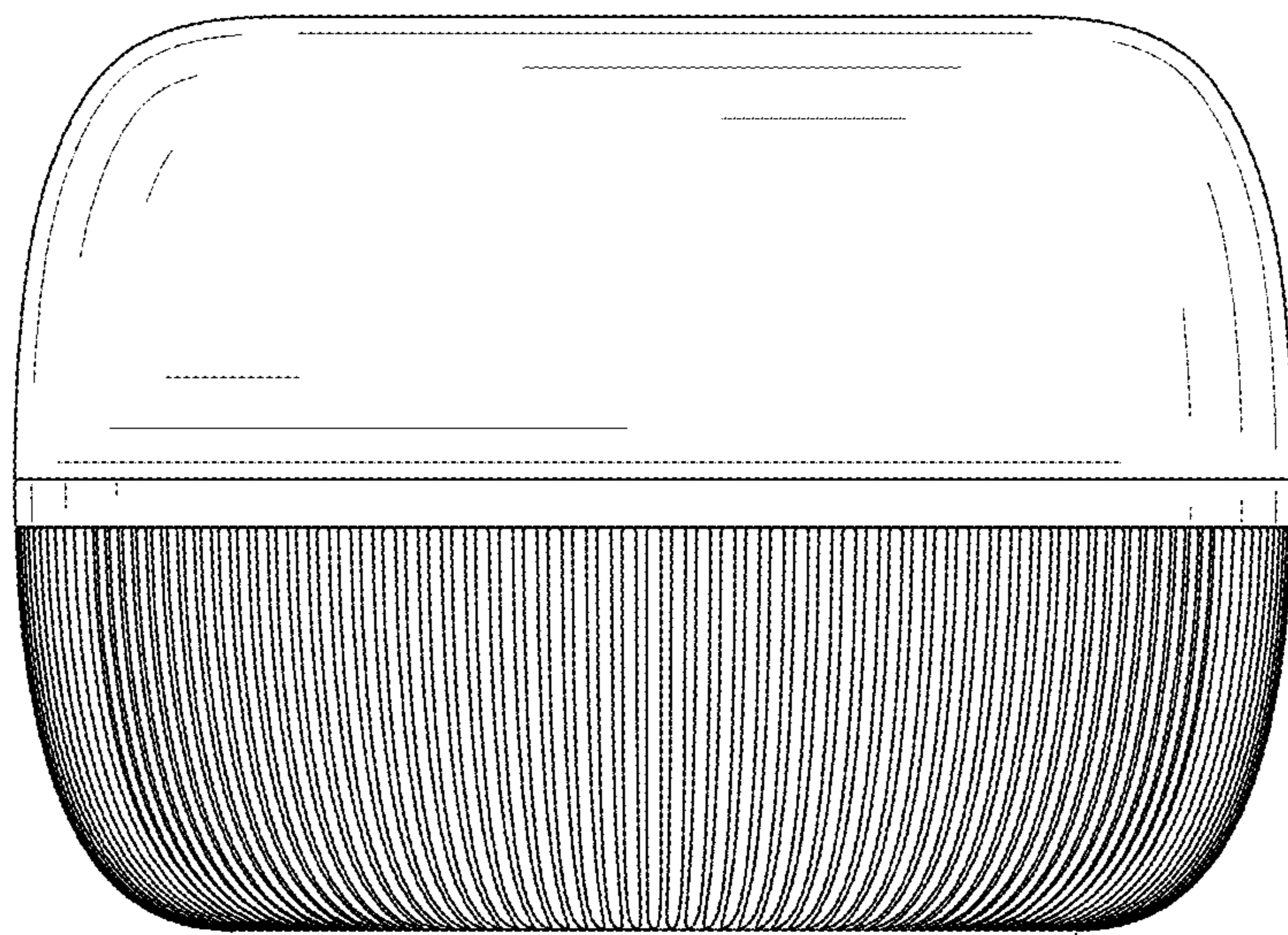


FIG. 23



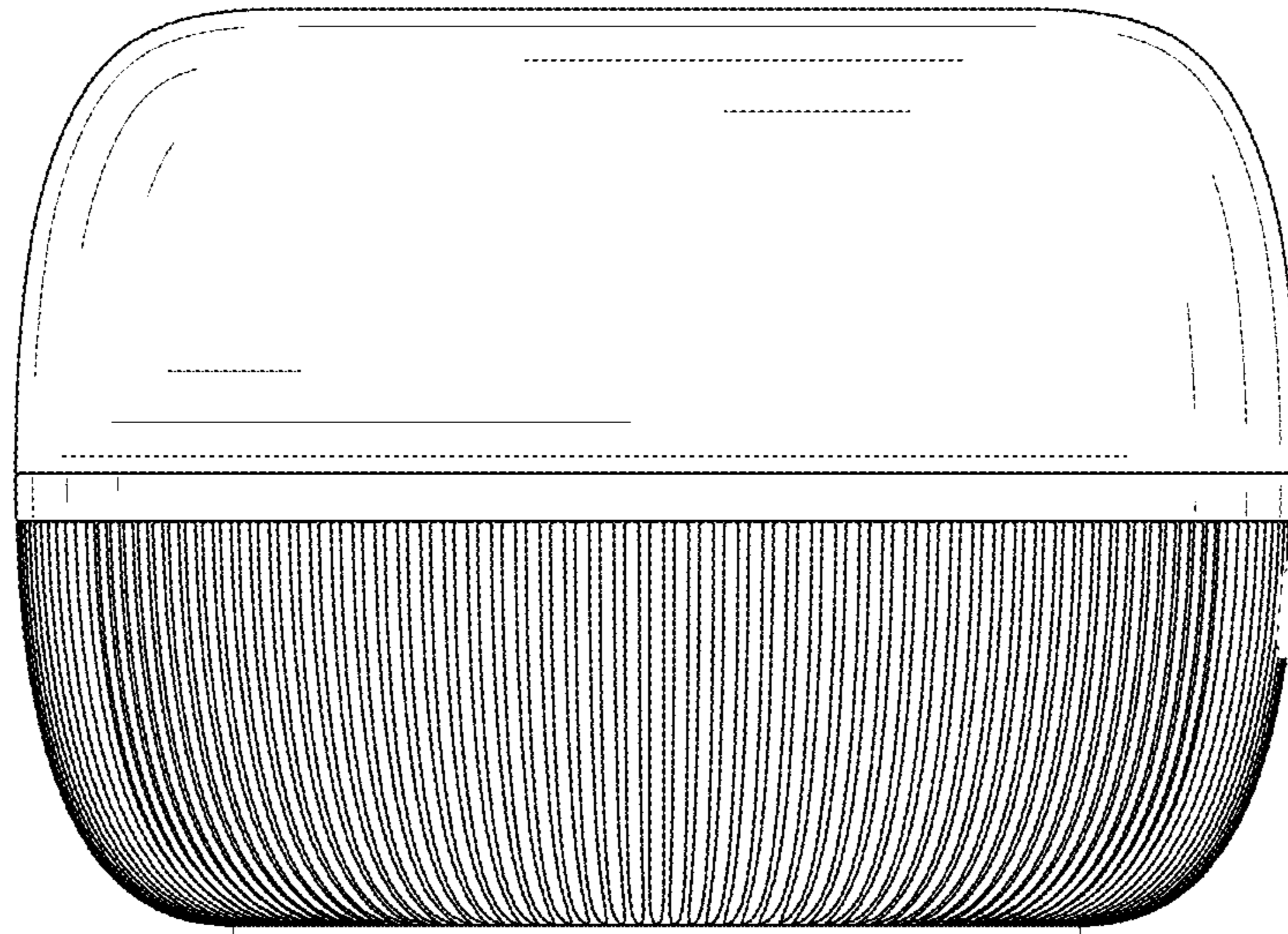


FIG. 24

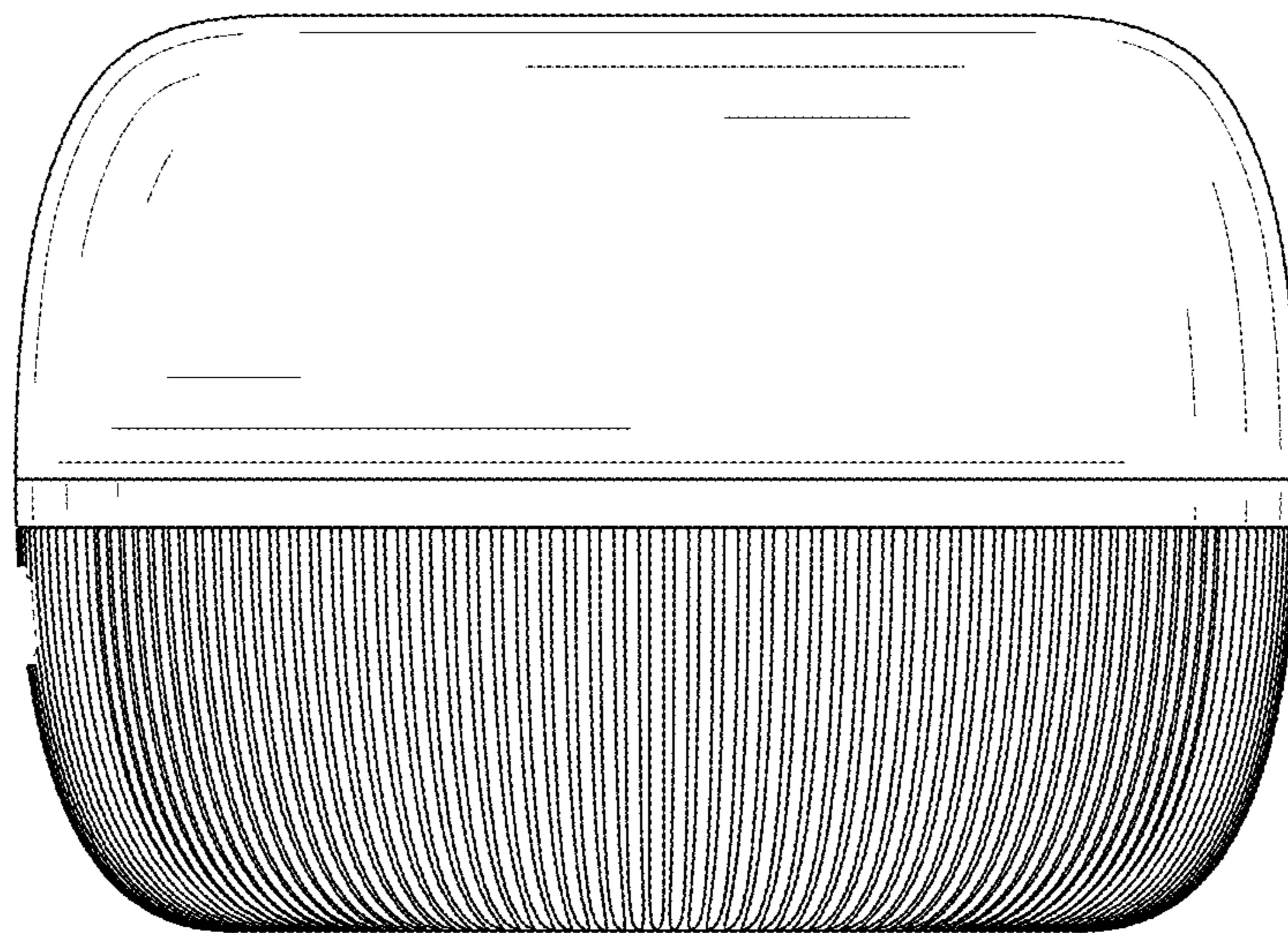


FIG. 25

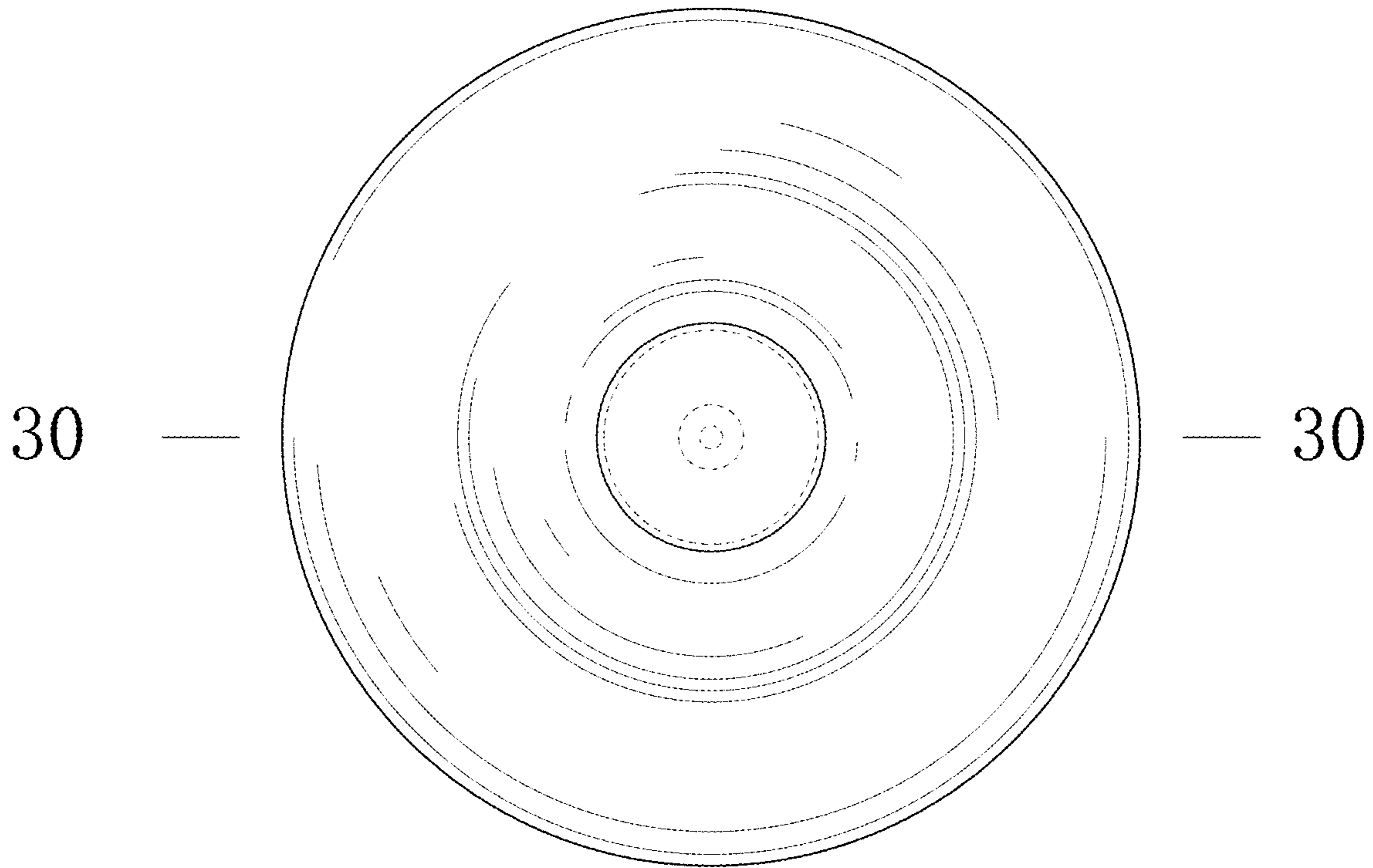


FIG. 26

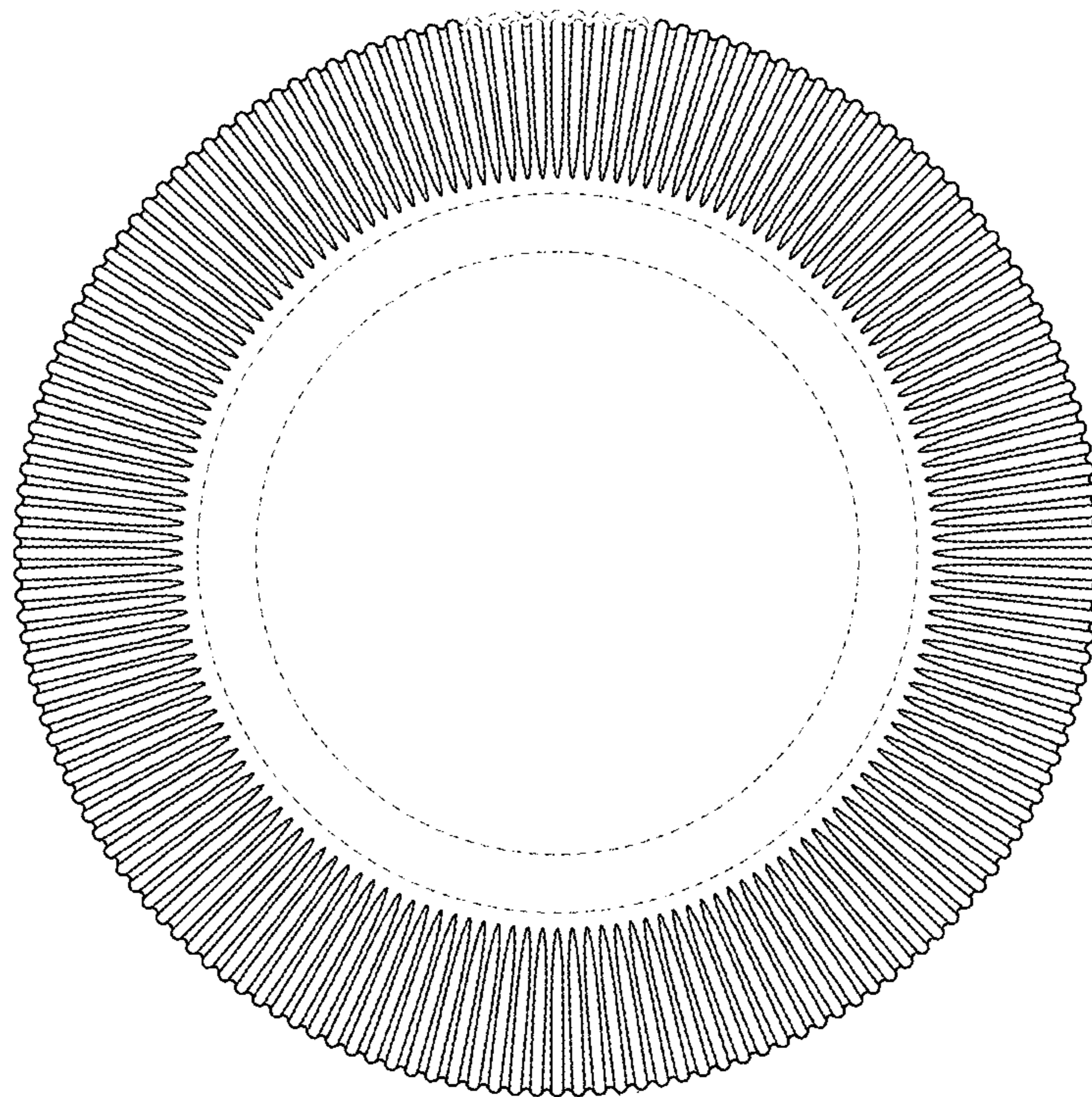


FIG. 27

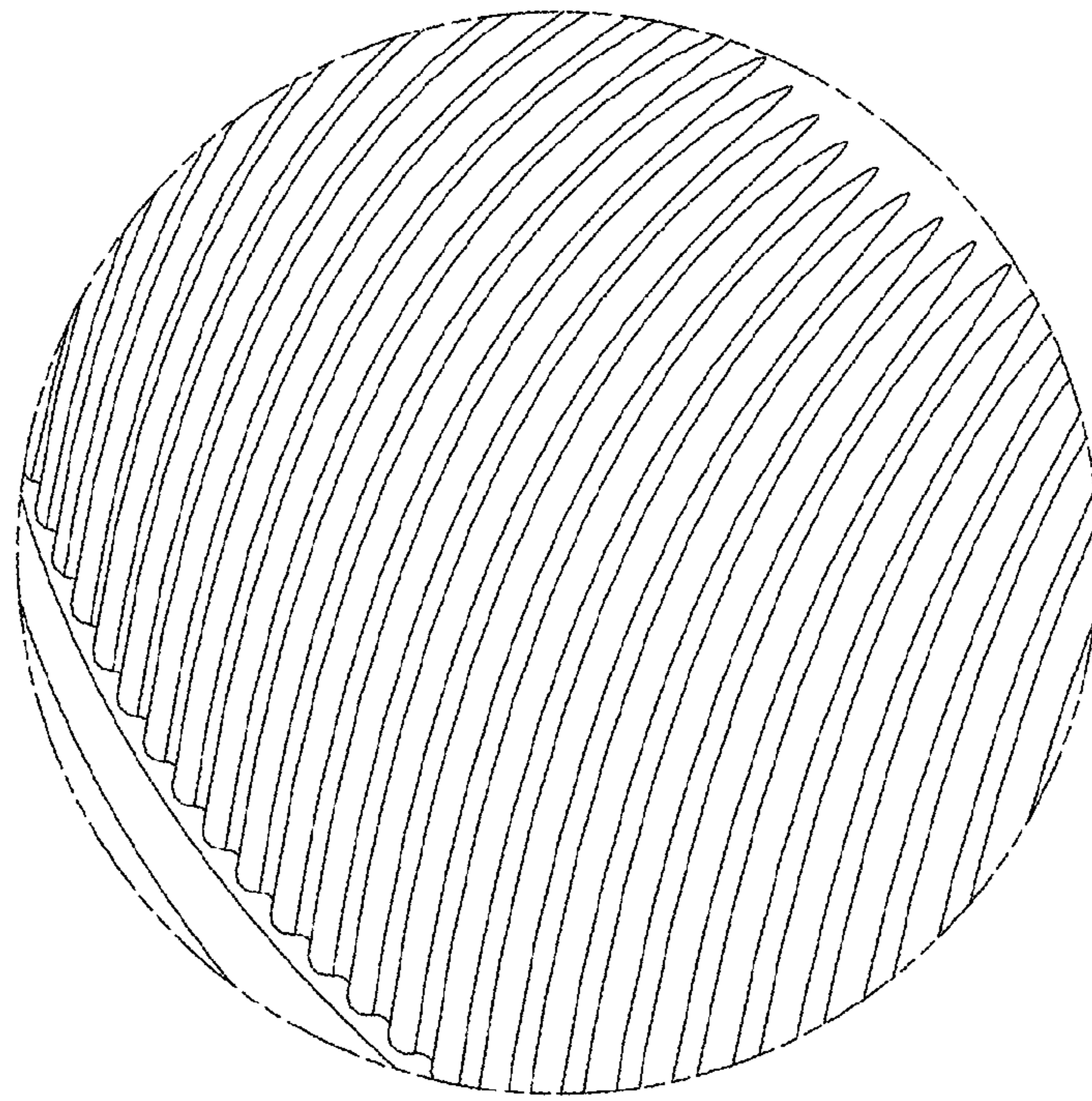


FIG. 28

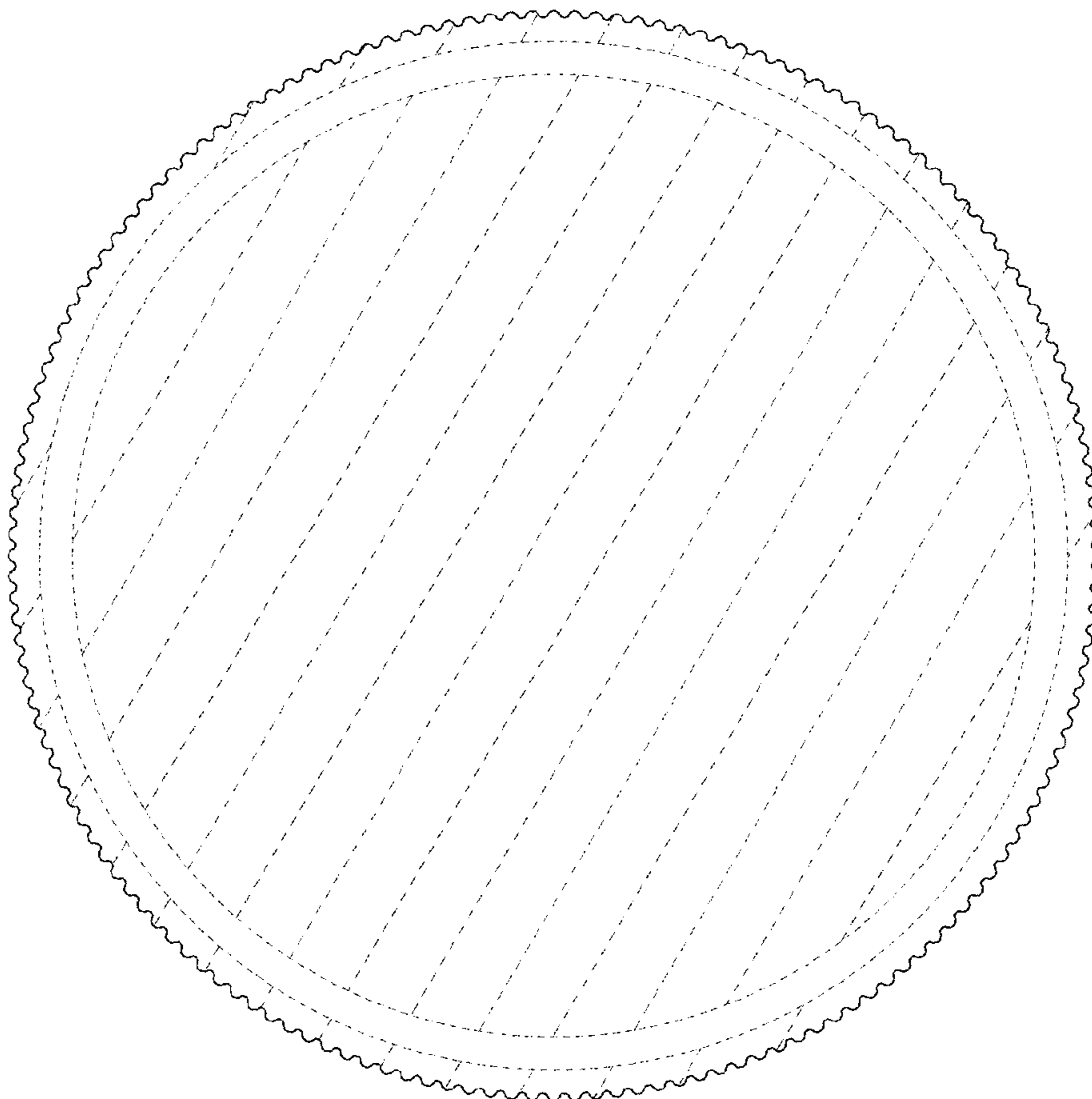


FIG. 29

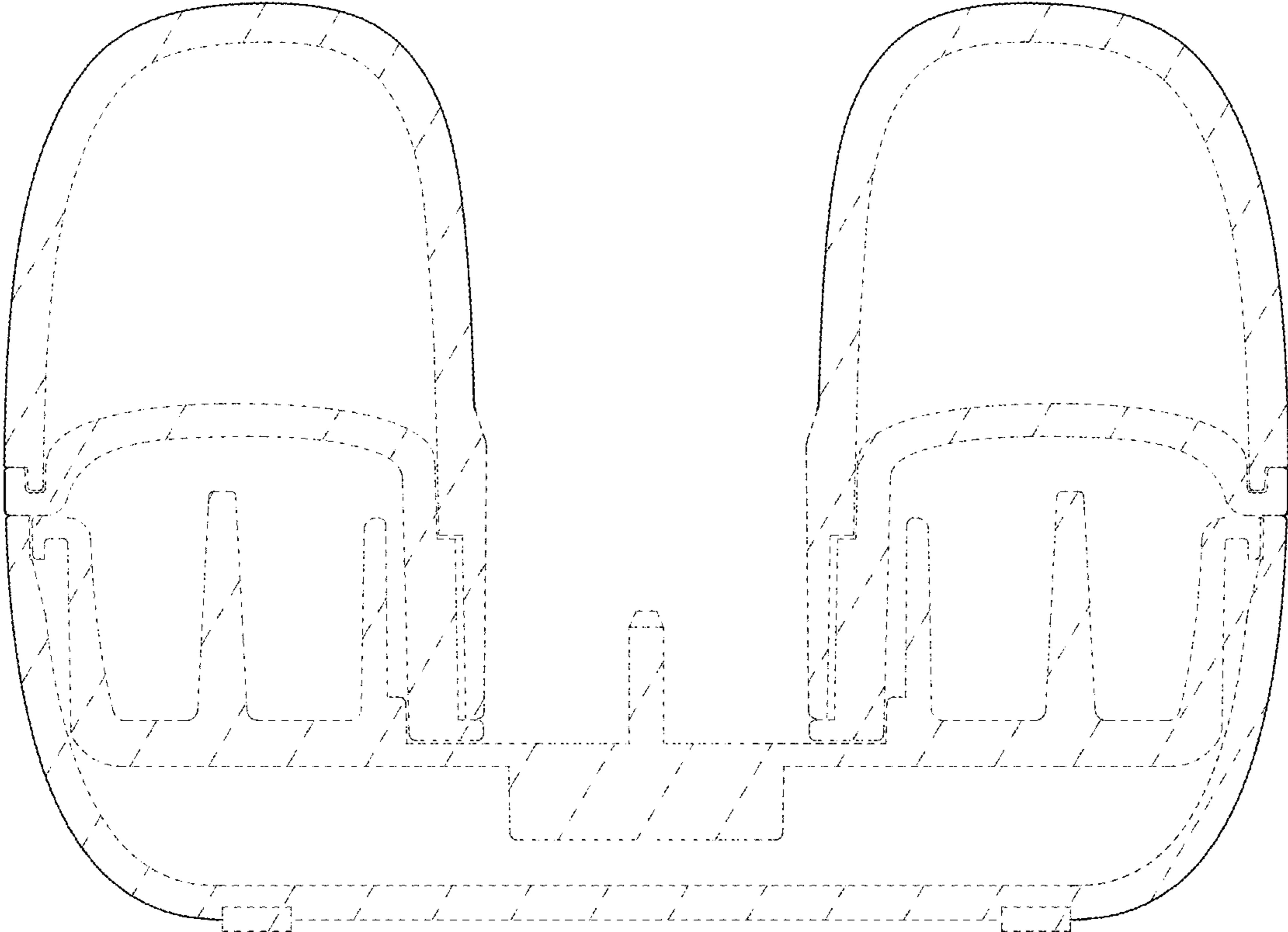


FIG. 30