



US00D946753S

(12) **United States Design Patent** (10) **Patent No.:** **US D946,753 S**
Swick et al. (45) **Date of Patent:** **** Mar. 22, 2022**

(54) **BIOPSY DEVICE**

(71) Applicant: **HOLOGIC, INC.**, Marlborough, MA (US)

(72) Inventors: **Zachary Stephen Swick**, Westborough, MA (US); **David Sauvageau**, Westlake Village, CA (US); **Rosario Friedman**, Medford, MA (US); **Brett Haarala**, Framingham, MA (US)

(73) Assignee: **HOLOGIC, INC.**, Marlborough, MA (US)

(**) Term: **15 Years**

(21) Appl. No.: **29/681,944**

(22) Filed: **Feb. 28, 2019**

Related U.S. Application Data

(62) Division of application No. 29/485,001, filed on Mar. 14, 2014, now Pat. No. Des. 844,784.

(51) **LOC (13) Cl.** **24-02**

(52) **U.S. Cl.**
USPC **D24/133**

(58) **Field of Classification Search**

USPC D6/522, 523, 525, 526, 553, 566; D8/49, D8/51, 52, 59, 60, 64, 82, 85, 86, 95, 97, D8/300, 303, 349, 499; D14/372; D15/138, 139; D16/100, 130, 309; D24/108, 112, 113, 114, 115, 119, 127, D24/128, 129, 130, 133, 137, 142, 144, D24/145, 146, 147, 148, 150, 155, 158, D24/160, 170, 171, 172, 173, 181, 185, D24/186, 188, 200, 215, 216, 222, 231, D24/232; D25/38.1, 41.1; D10/57; D28/7

CPC A61B 3/00; A61B 3/0016; A61B 3/0025; A61B 3/0033; A61B 3/0041; A61B 3/0075; A61B 3/0083; A61B 3/0091; A61B 3/02; A61B 3/10; A61B 3/1005; A61B 3/12; A61B 3/13; A61B 3/18;

A61B 17/00; A61B 2017/00349; A61B 2017/00455; A61B 2017/00464; A61B 2017/00473; A61B 2017/0053; A61B 17/0057; A61B 17/0231; A61B 17/04; A61B 17/064; A61B 1/0642; A61B 17/0643; A61B 17/0644; A61B
(Continued)

(56) **References Cited**

U.S. PATENT DOCUMENTS

D239,026 S * 3/1976 Knox D24/129
D255,990 S * 7/1980 Lucas D9/726
(Continued)

OTHER PUBLICATIONS

Youtube, "Mammotome elite—Product Overview", first available Sep. 2, 2015. (<https://www.youtube.com/watch?v=AFO3HLhOwM8&t=1s>) (Year: 2015).*

(Continued)

Primary Examiner — Lauren D McVey

Assistant Examiner — Justin A Johnson

(74) *Attorney, Agent, or Firm* — Jones Robb, PLLC

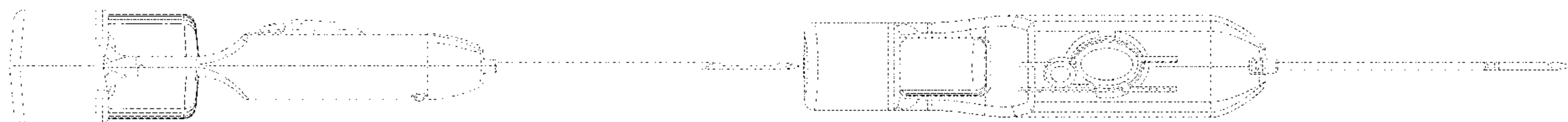
(57) **CLAIM**

The ornamental design for a biopsy device, as shown and described.

DESCRIPTION

FIG. 1 is a perspective view of the biopsy device; FIG. 2 is a right side elevational view of FIG. 1; FIG. 3 is a left side elevational view of FIG. 1; FIG. 4 is a top plan view of FIG. 1; FIG. 5 is a bottom plan view of FIG. 1; FIG. 6 is a front elevational view of FIG. 1; and, FIG. 7 is a rear elevational view of FIG. 1. The broken lines in the drawings illustrate portions of the biopsy device and form no part of the claimed design.

1 Claim, 7 Drawing Sheets



(58) **Field of Classification Search**

CPC 2017/0688; A61B 17/14; A61B 17/142;
 A61B 17/15; A61B 17/151; A61B
 17/154; A61B 17/155; A61B 17/157;
 A61B 17/158; A61B 17/16; A61B
 17/1613; A61B 17/1615; A61B 17/1617;
 A61B 2090/0817; A61B 2017/00663;
 A61B 17/0401; A61B 2017/0404; A61B
 10/00; A61B 10/02; A61B 2010/0208;
 A61B 10/04; A61B 2010/045; A61B
 17/221; A61B 17/34; A61B 17/3415;
 B23D 51/025; A61F 9/00; A61F 9/007;
 A61F 9/0133; A61F 2210/0004; A61H
 5/00; A61H 5/005; A61H 2205/022;
 E21B 10/00; B28B 7/00; B28B 7/0002;
 B28B 7/0032; B28B 7/0094; B28B 7/16;
 B28B 7/18

See application file for complete search history.

(56)

References Cited

U.S. PATENT DOCUMENTS

D279,654 S * 7/1985 Grip D9/542
 D329,592 S * 9/1992 Crawford D9/529
 D348,840 S * 7/1994 Kuzma D9/575
 D351,745 S * 10/1994 Seifert D6/682.6
 D369,097 S * 4/1996 Dinand D9/529
 D372,676 S * 8/1996 Desgrippes D9/545
 D379,312 S * 5/1997 Crawford D9/557

D381,899 S * 8/1997 Crawford D9/529
 D413,263 S * 8/1999 Pritchard D9/454
 D541,155 S * 4/2007 Battegazzore D9/454
 D590,942 S * 4/2009 Petersen D24/130
 D736,923 S * 8/2015 Snow D24/146
 D751,199 S * 3/2016 Allen D24/146
 D779,062 S * 2/2017 Evans D24/152
 D782,693 S * 3/2017 Brewer D24/222
 D802,760 S * 11/2017 Neby G01N 33/76
 D859,661 S * 9/2019 Blackwell D24/171
 D893,716 S * 8/2020 Siciliano A61M 39/20
 D929,583 S * 8/2021 Neimy D24/133
 2012/0259287 A1 * 10/2012 Selvitelli A61M 39/18
 604/201
 2017/0131299 A1 * 5/2017 Holloway G01N 33/76
 2019/0183463 A1 * 6/2019 Keller G01N 1/312
 2020/0406020 A1 * 12/2020 Fangrow A61M 39/20

OTHER PUBLICATIONS

Thingiverse, "Rounded Cylinder", first available Oct. 11, 2015. (<https://www.thingiverse.com/thing:1065885>) (Year: 2015).*

Twitter, "Exclusive access to our Sertera™ Biopsy Device", first available Dec. 2, 2015. (<https://twitter.com/hologic/status/672097947589337088>) (Year: 2015).*

Amazon, "Prescott Plastics 1 1/2Inch Round Black Vinyl End Cap", first available Jun. 19, 2019. (<https://www.amazon.com/Prescott-Plastics-Round-Flexible-Rubber/dp/B07RLNPBCC>) (Year: 2019).*

* cited by examiner

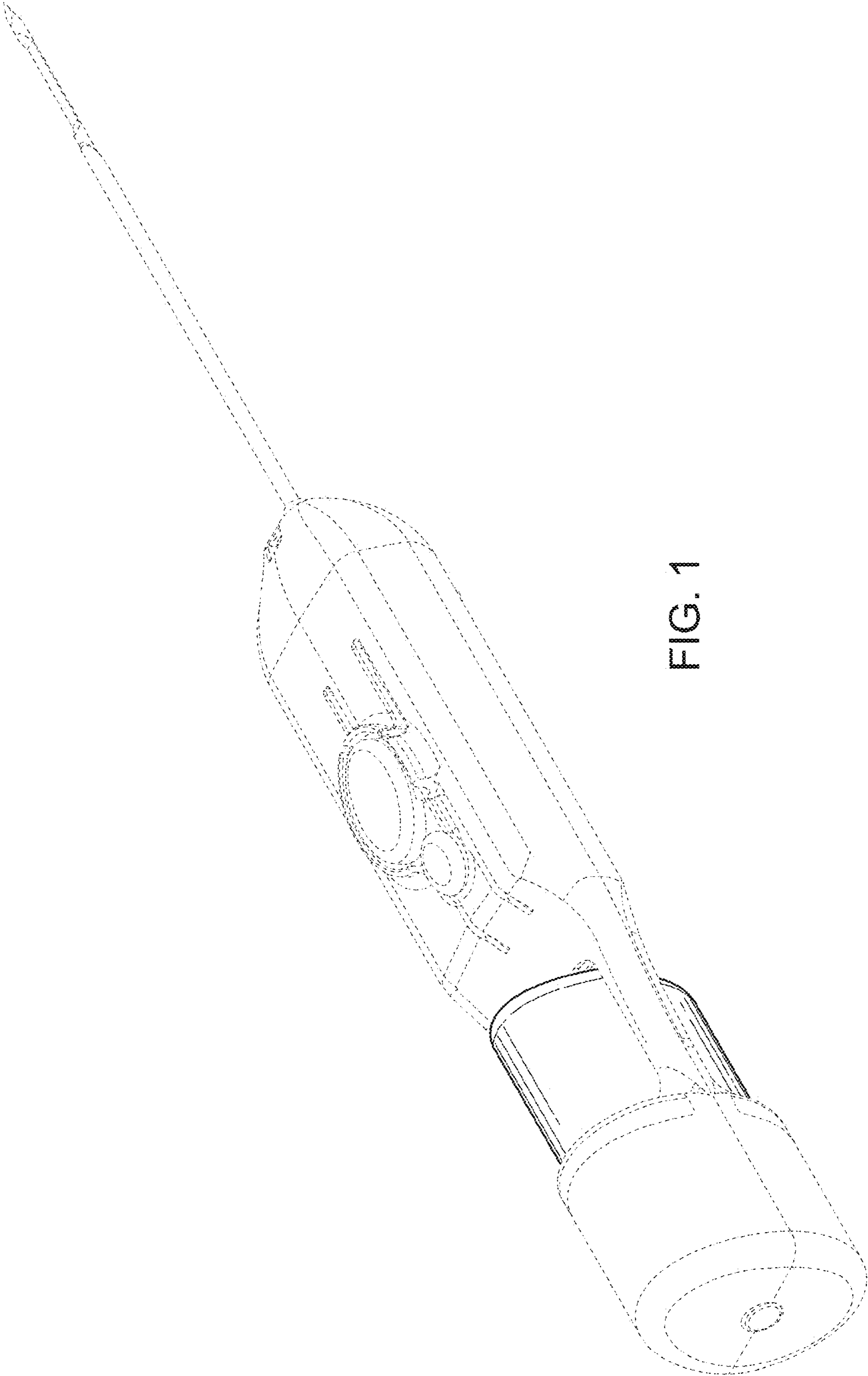


FIG. 1

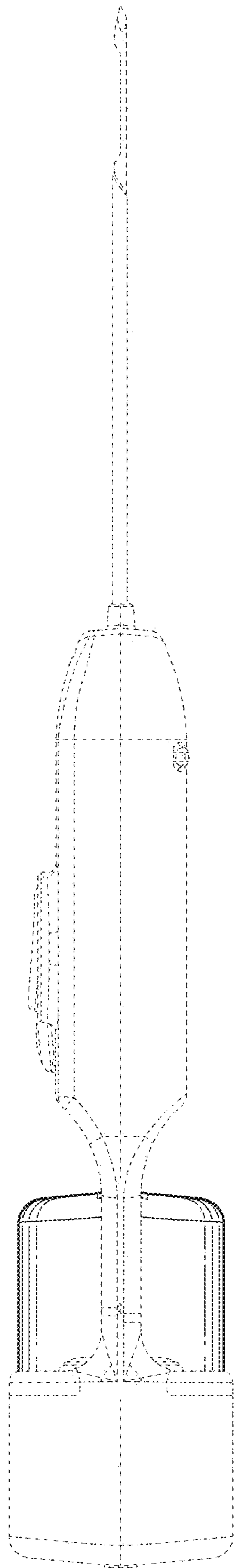


FIG. 2

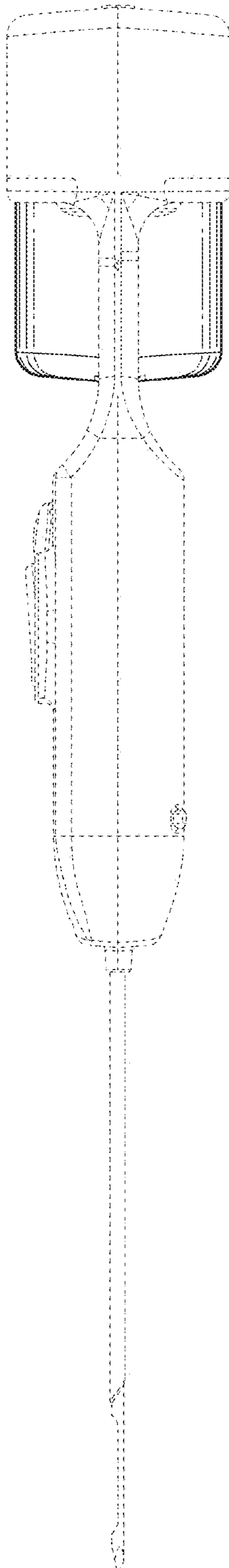


FIG. 3

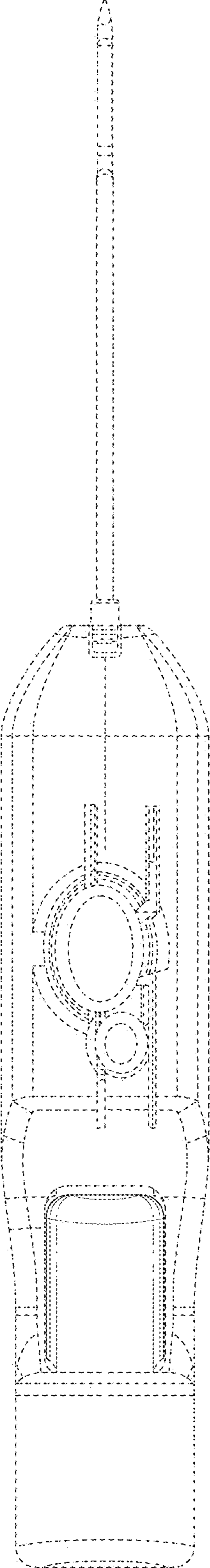


FIG. 4

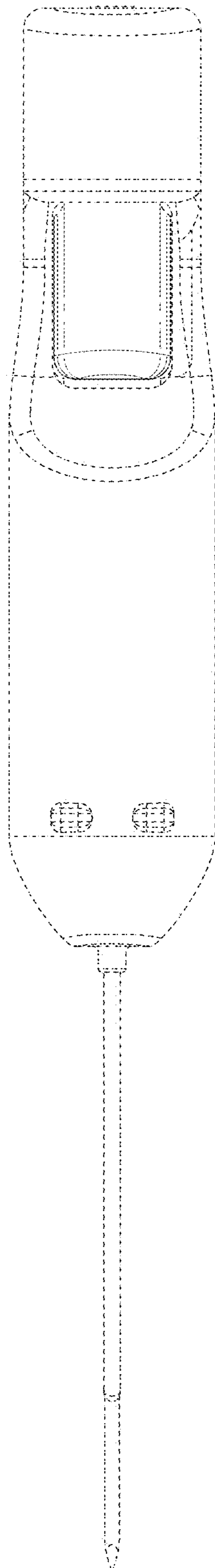


FIG. 5

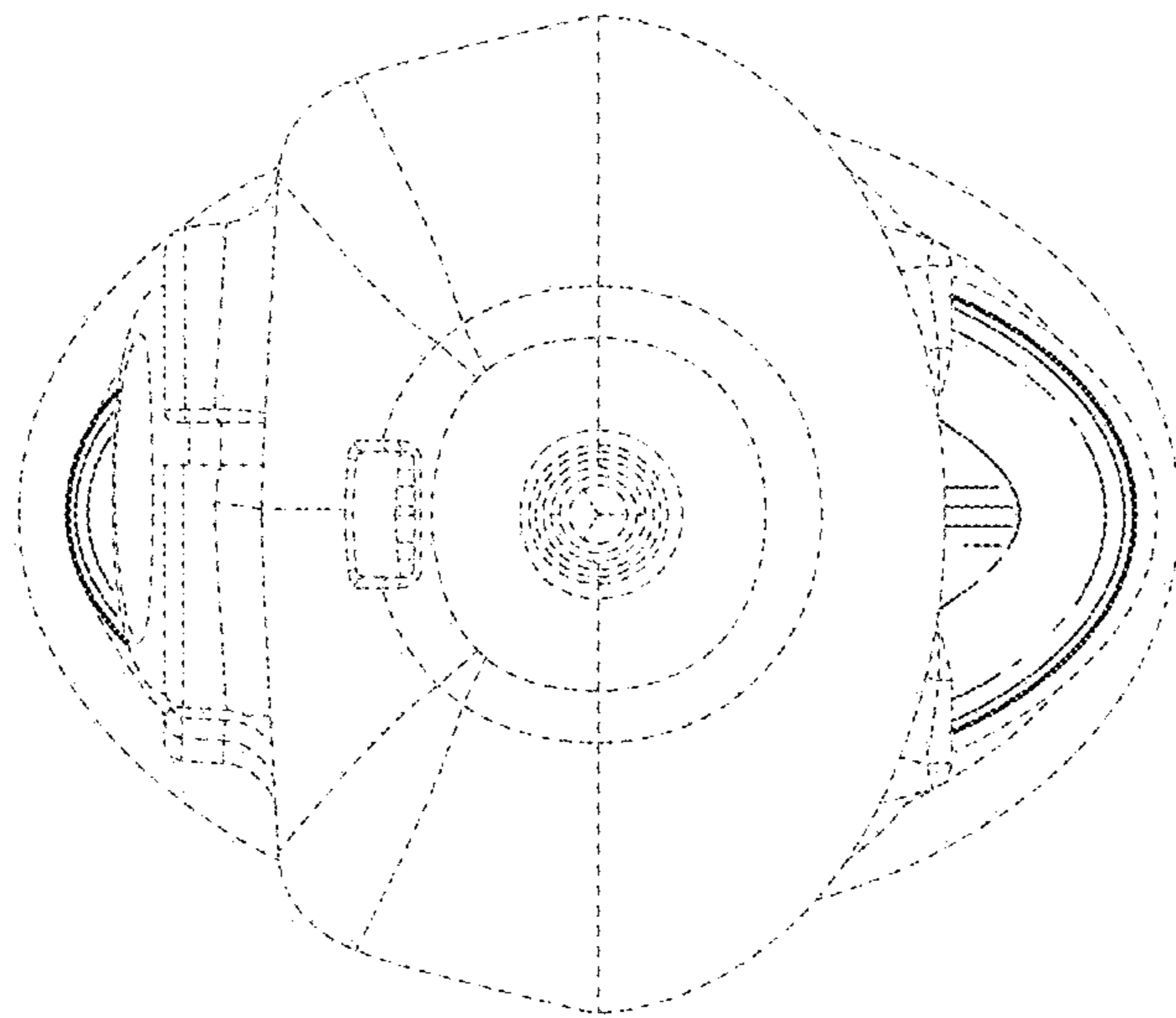


FIG. 6

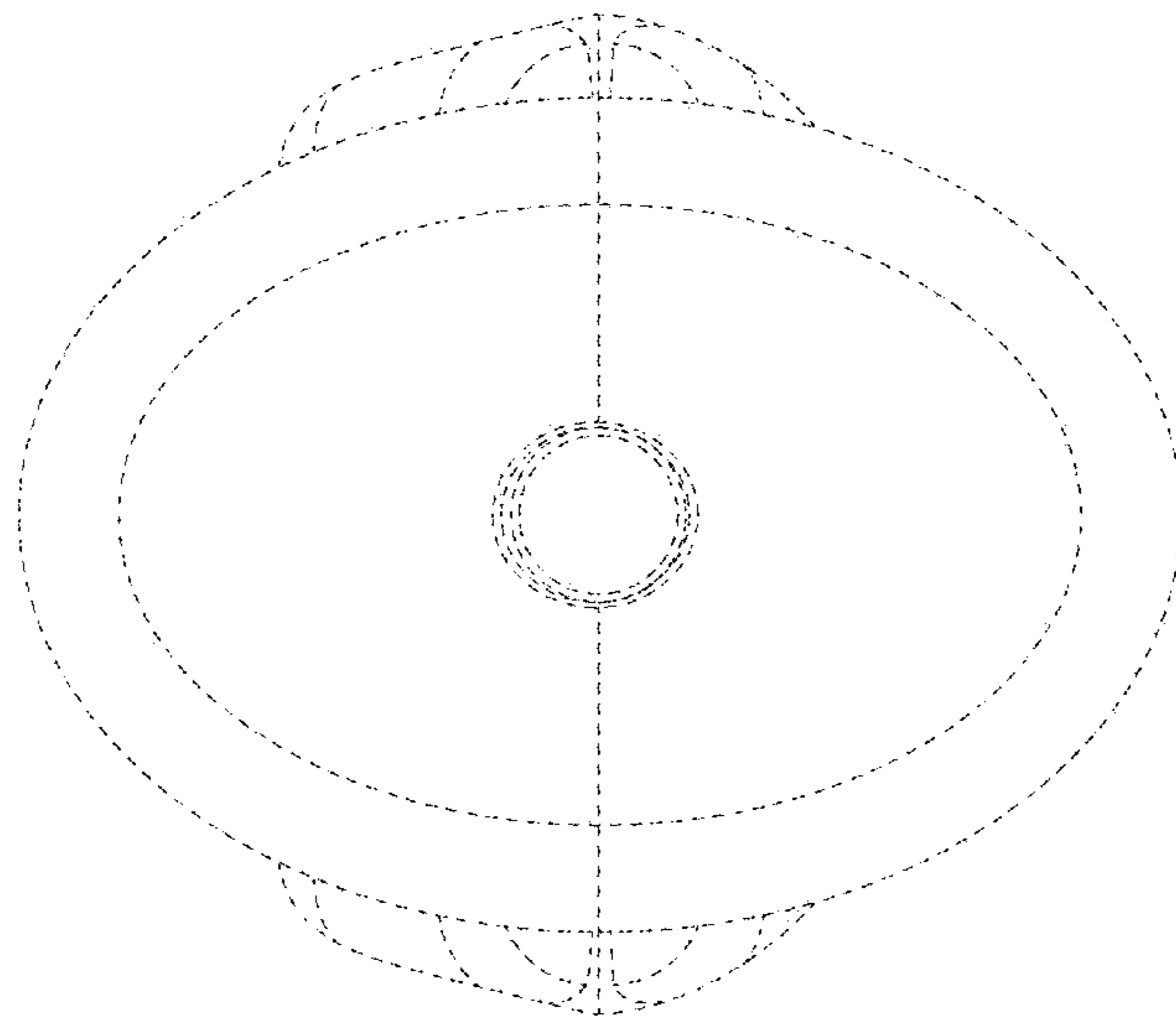


FIG. 7