



US00D946750S

(12) **United States Design Patent** (10) **Patent No.:** **US D946,750 S**  
**McLusky et al.** (45) **Date of Patent:** **\*\* Mar. 22, 2022**

(54) **GRIP ACCESSORY FOR AN INJECTION DEVICE**

(56) **References Cited**

(71) Applicant: **Janssen Pharmaceuticals, Inc.**, Titusville, NJ (US)  
(72) Inventors: **James McLusky**, Edinburgh (GB); **Nick Foley**, Edinburgh (GB); **Jimmy Mower**, Edinburgh (GB); **Michael Cannamela**, Atlantic Highlands, NJ (US); **Peter Krulevitch**, Pleasanton, CA (US); **James Flint**, Hillsborough, NJ (US)

U.S. PATENT DOCUMENTS

5,163,918 A 11/1992 Righi et al.  
D446,578 S \* 8/2001 Jansen ..... D24/110  
6,623,459 B1 9/2003 Doyle  
7,824,379 B2 11/2010 Doyle  
D634,424 S 3/2011 Morejon  
D673,677 S \* 1/2013 Noda ..... D24/141

(Continued)

FOREIGN PATENT DOCUMENTS

EM 004024677-0002 5/2017  
EM 004024677-0003 5/2017

(Continued)

(73) Assignee: **Janssen Pharmaceuticals, Inc.**, Titusville, NJ (US)

(\*\*) Term: **15 Years**

OTHER PUBLICATIONS

Janssen Pharmaceuticals, Inc., U.S. Appl. No. 29/627,912.

(Continued)

(21) Appl. No.: **29/676,220**

(22) Filed: **Jan. 9, 2019**

*Primary Examiner* — David G Muller

(74) *Attorney, Agent, or Firm* — Steven J. Schwarz

(30) **Foreign Application Priority Data**

Jul. 11, 2018 (GB) ..... 6039012  
Jul. 11, 2018 (GB) ..... 6039013  
Jul. 11, 2018 (GB) ..... 6039014  
Jul. 11, 2018 (GB) ..... 6039015  
Jul. 11, 2018 (GB) ..... 6039016  
Jul. 11, 2018 (GB) ..... 6039017

(57) **CLAIM**

The ornamental design for a grip accessory for an injection device, as shown and described.

(51) **LOC (13) Cl.** ..... **24-02**

(52) **U.S. Cl.**  
USPC ..... **D24/114**

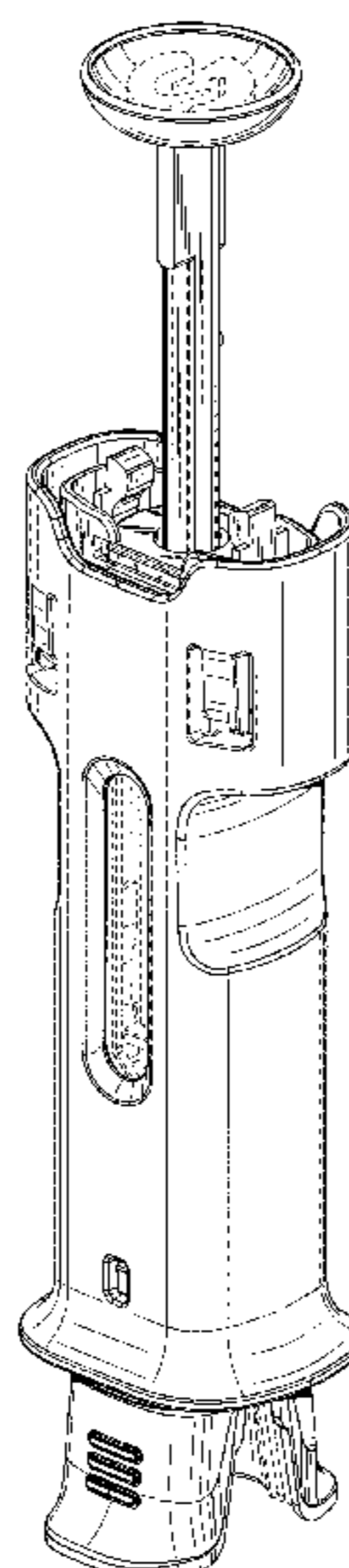
**DESCRIPTION**

FIG. 1 is a perspective view of a grip accessory for an injection device showing our new design; FIG. 2 is a front elevation view of FIG. 1; FIG. 3 is a side elevation view of FIG. 1; FIG. 4 is a rear elevation view of FIG. 1; FIG. 5 is a view of the opposite side of FIG. 3; FIG. 6 is a top plan view of FIG. 1; and, FIG. 7 is a bottom plan view of FIG. 1. The portions shown in broken lines are unclaimed environment, and form no part of the claimed design.

(58) **Field of Classification Search**  
USPC ..... D24/112–114, 108, 133, 130, 127, 186; 606/181, 185; 604/264, 272, 187, 181, 604/184, 227  
CPC ..... A61M 5/178; A61M 3/00; A61M 5/20; A61M 5/31; A61M 5/3146; A61M 5/3129; A61M 5/3148

See application file for complete search history.

**1 Claim, 3 Drawing Sheets**



(56)

References Cited

FOREIGN PATENT DOCUMENTS

U.S. PATENT DOCUMENTS

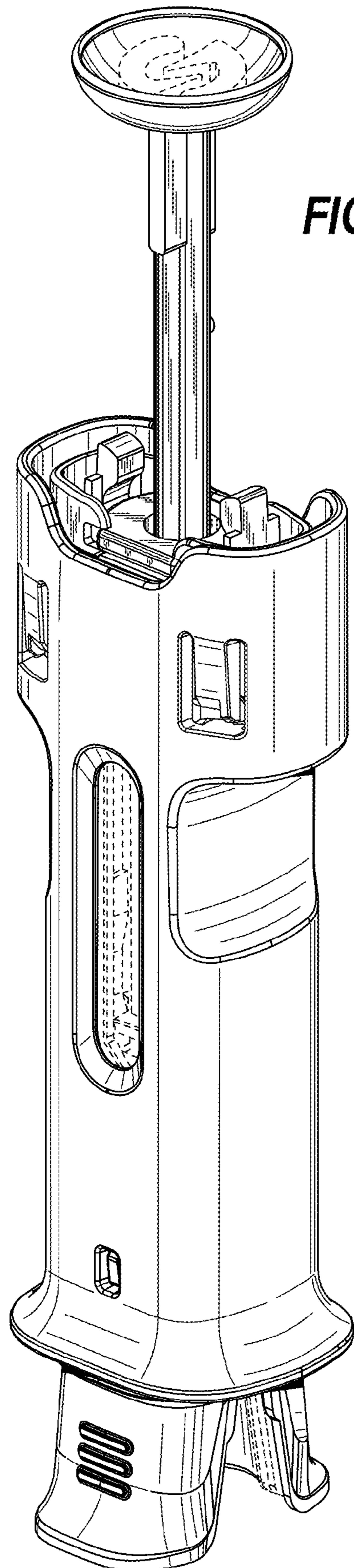
D702,835 S 4/2014 Vinchon  
 D720,070 S 12/2014 Khalaj  
 8,974,424 B2\* 3/2015 Soma ..... A61M 5/284  
 604/220  
 D770,612 S\* 11/2016 Green ..... D24/114  
 D784,524 S 4/2017 Corbin  
 D784,526 S 4/2017 Grunhut  
 D784,527 S 4/2017 Llewellyn-Hyde  
 D816,834 S 5/2018 Knight  
 D816,835 S 5/2018 Knight  
 D818,575 S 5/2018 Corbin  
 D819,805 S\* 6/2018 Knight ..... D24/114  
 D830,540 S\* 10/2018 Rolfs ..... D24/114  
 10,272,202 B2 4/2019 Brereton et al.  
 D872,259 S\* 1/2020 Guo ..... A61M 39/10  
 D24/114  
 D888,941 S 6/2020 Scrimgeour et al.  
 D902,391 S 11/2020 Scrimgeour et al.  
 D902,392 S 11/2020 Scrimgeour et al.  
 D903,108 S 11/2020 Scrimgeour et al.  
 2003/0093032 A1 5/2003 Py et al.  
 2003/0144631 A1 7/2003 Doyle et al.  
 2003/0144632 A1\* 7/2003 Hommann ..... A61M 5/326  
 604/198  
 2006/0089594 A1\* 4/2006 Landau ..... A61M 5/30  
 604/68  
 2006/0106342 A1 5/2006 Cox  
 2007/0239117 A1\* 10/2007 Chelak ..... A61M 5/326  
 604/198  
 2008/0208140 A1 8/2008 Barrelle  
 2008/0269692 A1 10/2008 James et al.  
 2008/0300549 A1\* 12/2008 Verespej ..... A61J 1/2096  
 604/198  
 2011/0092915 A1 4/2011 Olson et al.  
 2012/0232491 A1 9/2012 Jennings  
 2013/0116624 A1 5/2013 Plunnecke  
 2013/0197446 A1\* 8/2013 Gustafsson ..... A61M 5/31511  
 604/189  
 2013/0289524 A1 10/2013 Crawford  
 2014/0343505 A1 11/2014 Henley et al.  
 2016/0325047 A1\* 11/2016 Vedrine ..... A61M 5/2448  
 2017/0014574 A1 1/2017 Ogawa  
 2017/0157332 A1 6/2017 Nguyen  
 2017/0173270 A1 6/2017 Nakamura

EM 004024677-0004 5/2017  
 EP 2623145 8/2013  
 FR 3025433 3/2016  
 GB 2308302 11/1997  
 JP D1341211 9/2008  
 JP D1341392 9/2008  
 JP D1354787 2/2009  
 JP 2015-62563 4/2015  
 JP D1557827 8/2016  
 JP D1558612 8/2016  
 JP 2016-526996 9/2016  
 JP D1564673 11/2016  
 JP D1565060 11/2016  
 JP 2016-540584 12/2016  
 JP D1571037 2/2017  
 JP D1571038 2/2017  
 JP D1571040 2/2017  
 JP 2021-1520901 8/2021  
 KR 300876368 10/2016  
 KR 300891458 1/2017  
 RU 2620353 5/2017  
 WO WO 1995/007722 3/1995  
 WO WO 2004/069302 8/2004  
 WO WO 2007/047200 4/2007  
 WO 2008/016381 2/2008  
 WO 2010/104779 9/2010  
 WO 2015/0007857 1/2015  
 WO WO 2015/044561 4/2015  
 WO 2015/0091850 6/2015  
 WO WO 2017/089266 6/2017  
 WO WO 2018/222574 12/2018  
 WO WO 2018/222575 12/2018  
 WO 2019/0197381 10/2019  
 WO 2019/231432 12/2019

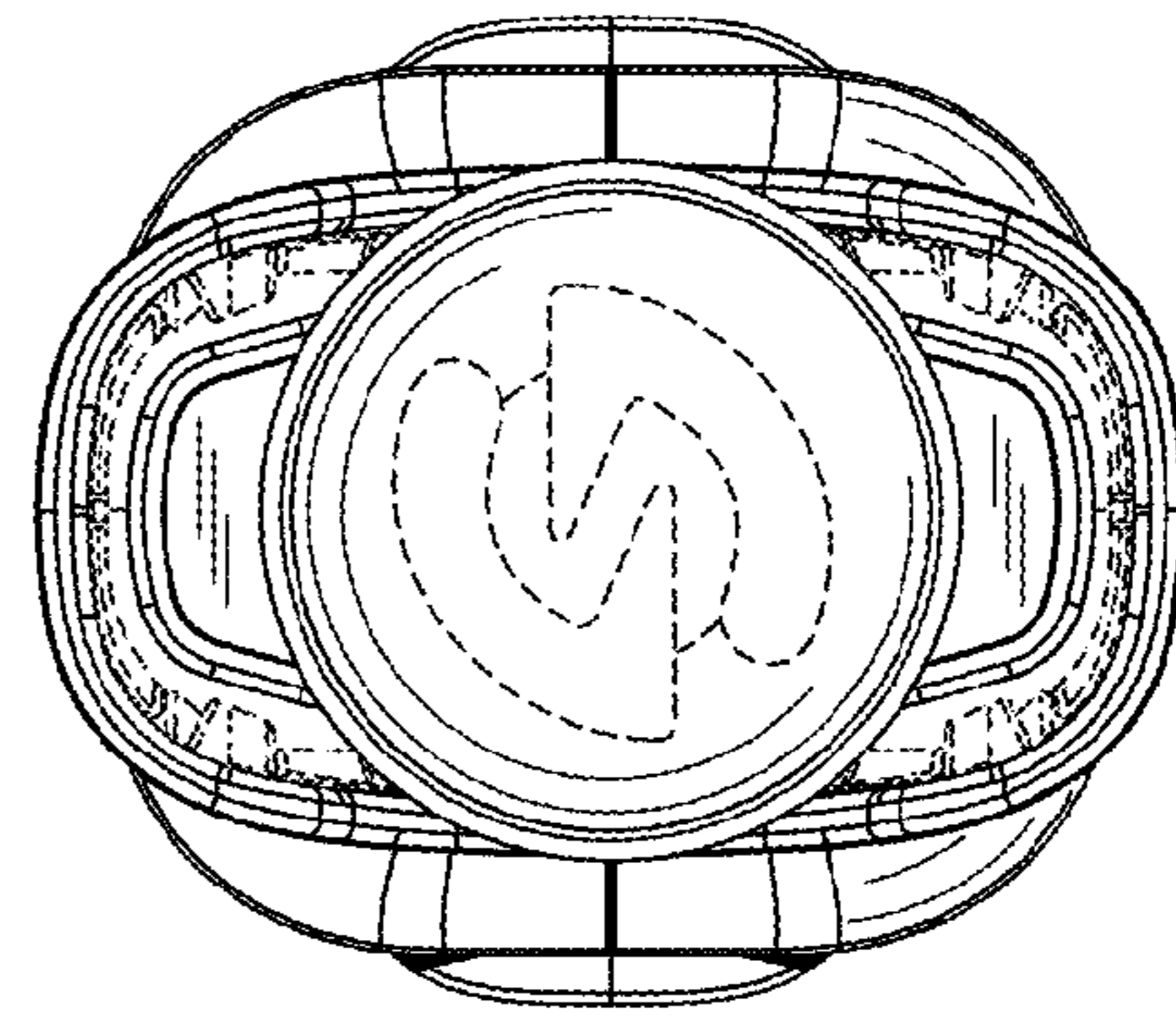
OTHER PUBLICATIONS

International Search Report dated Sep. 3, 2018; International Application No. PCT/US2018/034850.  
 International Search Report dated Aug. 30, 2018; International Application No. PCT/US2018/034849.  
 International Search Report dated Aug. 21, 2018; International Application No. PCT/US2018/034852.  
 International Trademark No. 1143335-S, Safety Syringes, Inc., Feb. 17, 2012.  
 D. Prajapati, 2015, "BD Ultrasafe Hi Res", <https://www.youtube.com/watch?v=VxL1VfYAbhl>.

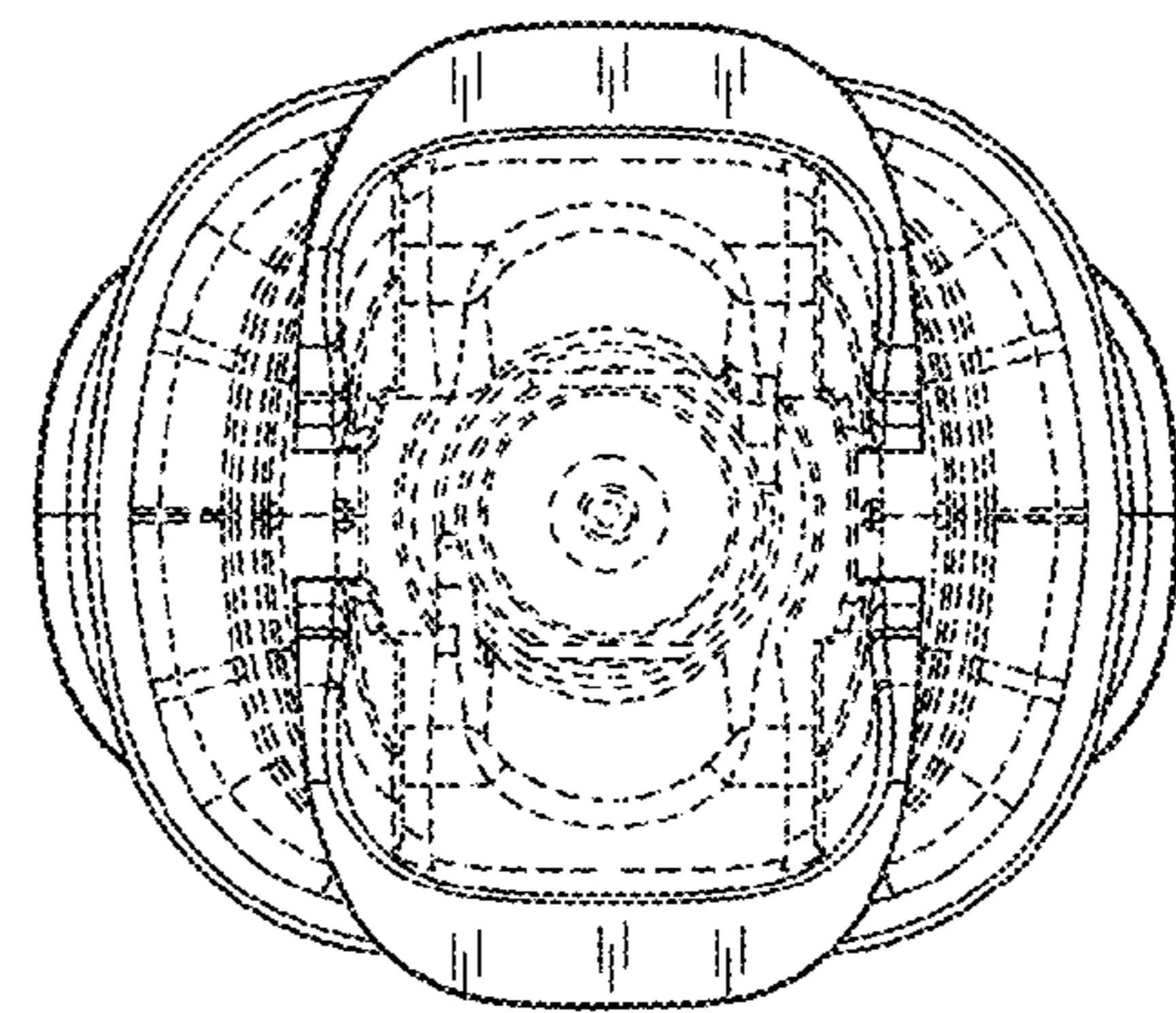
\* cited by examiner



**FIG. 1**



**FIG. 6**



**FIG. 7**

