



US00D946747S

(12) **United States Design Patent**
Mathews

(10) **Patent No.:** **US D946,747 S**

(45) **Date of Patent:** **** Mar. 22, 2022**

(54) **PROTECTIVE FACE MASK**
(71) Applicant: **David G. Mathews**, Honolulu, HI (US)
(72) Inventor: **David G. Mathews**, Honolulu, HI (US)

(**) Term: **15 Years**

(21) Appl. No.: **29/743,815**

(22) Filed: **Jul. 24, 2020**

(51) **LOC (13) Cl.** **29-02**

(52) **U.S. Cl.**
USPC **D24/110.1**

(58) **Field of Classification Search**
USPC D24/110.1; D29/108
CPC . A41D 13/11; A41D 13/1107; A41D 13/1115;
A41D 13/1123; A41D 13/113; A41D
13/1138; A41D 13/1146; A41D 13/1153;
A41D 13/1161; A41D 13/1169; A41D
24/00; A41D 24/52; A62B 18/00; A62B
18/02; A62B 18/025; A62B 18/08; A62B
18/084; A62B 18/10

See application file for complete search history.

(56) **References Cited**

U.S. PATENT DOCUMENTS

D267,985 S * 2/1983 Huber D24/110.1
4,384,577 A * 5/1983 Huber A41D 13/1146
128/206.19
D665,903 S * 8/2012 Sullivan, Jr. D24/110.1
D812,737 S * 3/2018 Moulton D24/110.1
D870,390 S * 12/2019 Mao D29/108
D923,775 S * 6/2021 Gilner D24/110.1

2015/0053206 A1* 2/2015 Seppala A62B 18/025
128/202.27
2021/0307414 A1* 10/2021 Korathu-Larson A42B 7/00
2021/0307415 A1* 10/2021 Scalisi A41D 13/1161

FOREIGN PATENT DOCUMENTS

CN 303721700 * 6/2016
CN 304060286 * 2/2017
CN 304060291 * 2/2017
CN 305959607 * 7/2020
CN 306206975 * 12/2020
CZ 15995-0001 * 3/2021

* cited by examiner

Primary Examiner — Eric L Goodman
Assistant Examiner — Michael Hoffman
(74) *Attorney, Agent, or Firm* — Steven A. Nielsen;
www.NielsenPatents.com

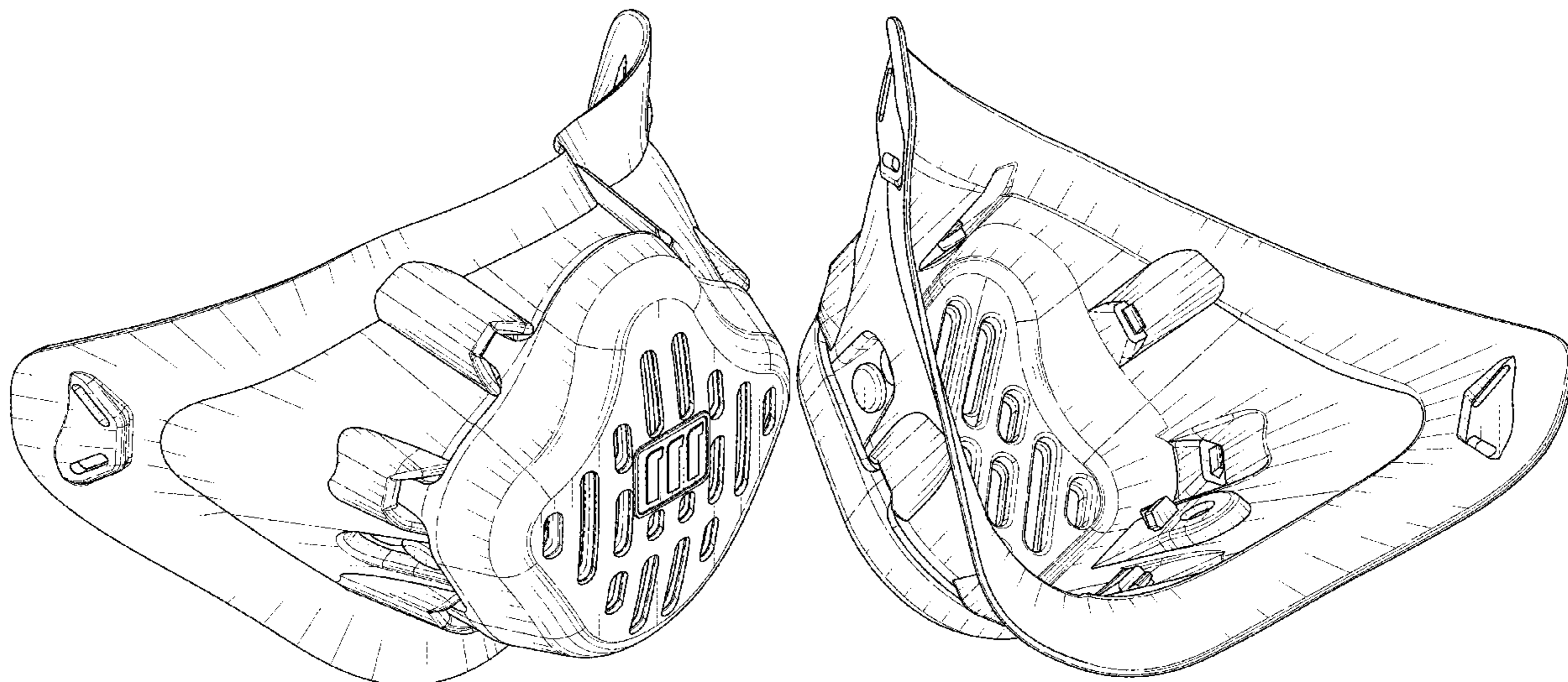
(57) **CLAIM**

The ornamental design for a protective face mask, as shown and described.

DESCRIPTION

FIG. 1 is a front perspective view of a protective face mask showing my new design;
FIG. 2 is a perspective rear view thereof;
FIG. 3 is a front view thereof;
FIG. 4 is a rear view thereof;
FIG. 5 is a right side view thereof;
FIG. 6 is a left side view thereof;
FIG. 7 is a top view thereof; and,
FIG. 8 is a bottom view thereof.

1 Claim, 8 Drawing Sheets



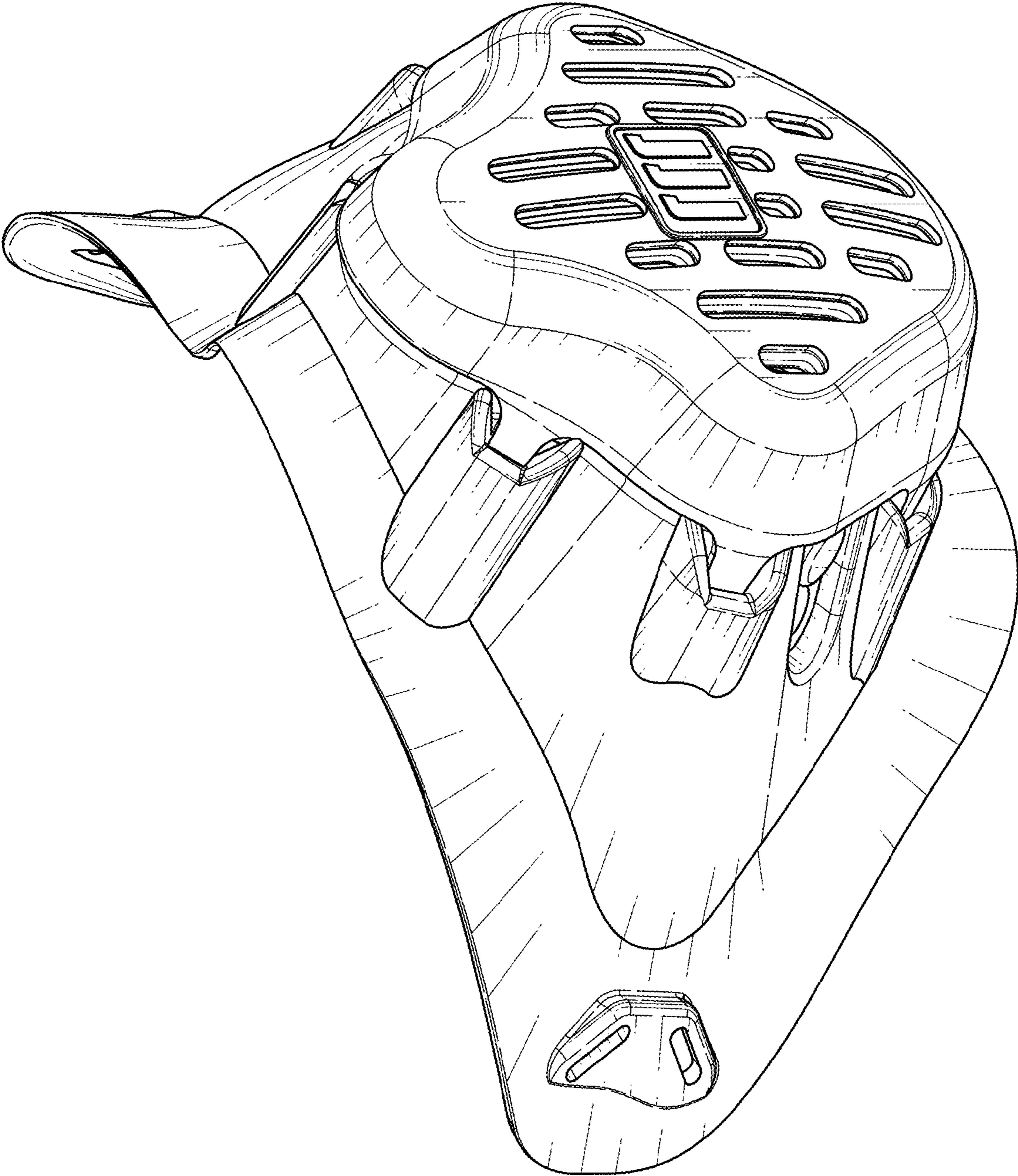


FIG. 1

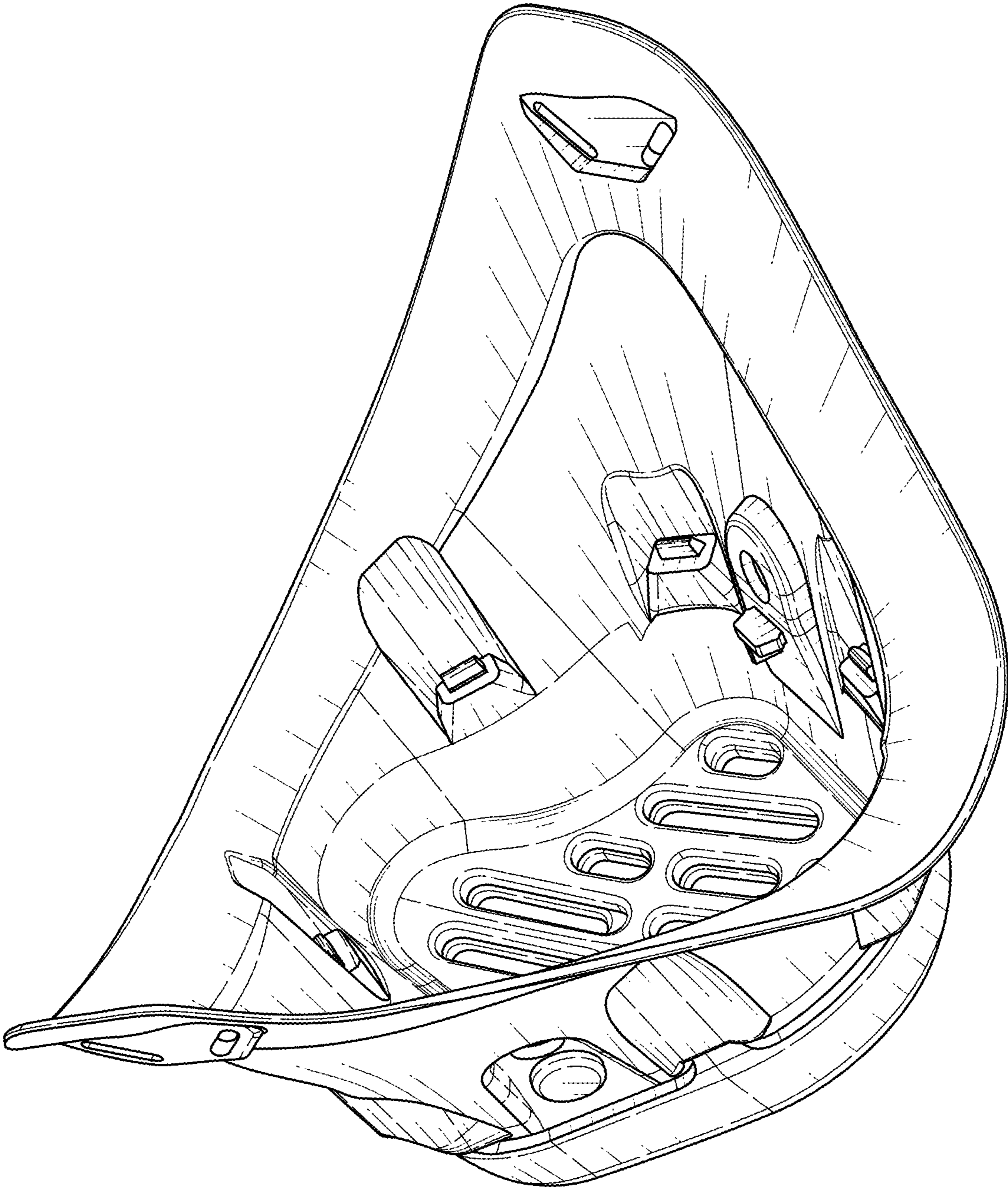


FIG. 2

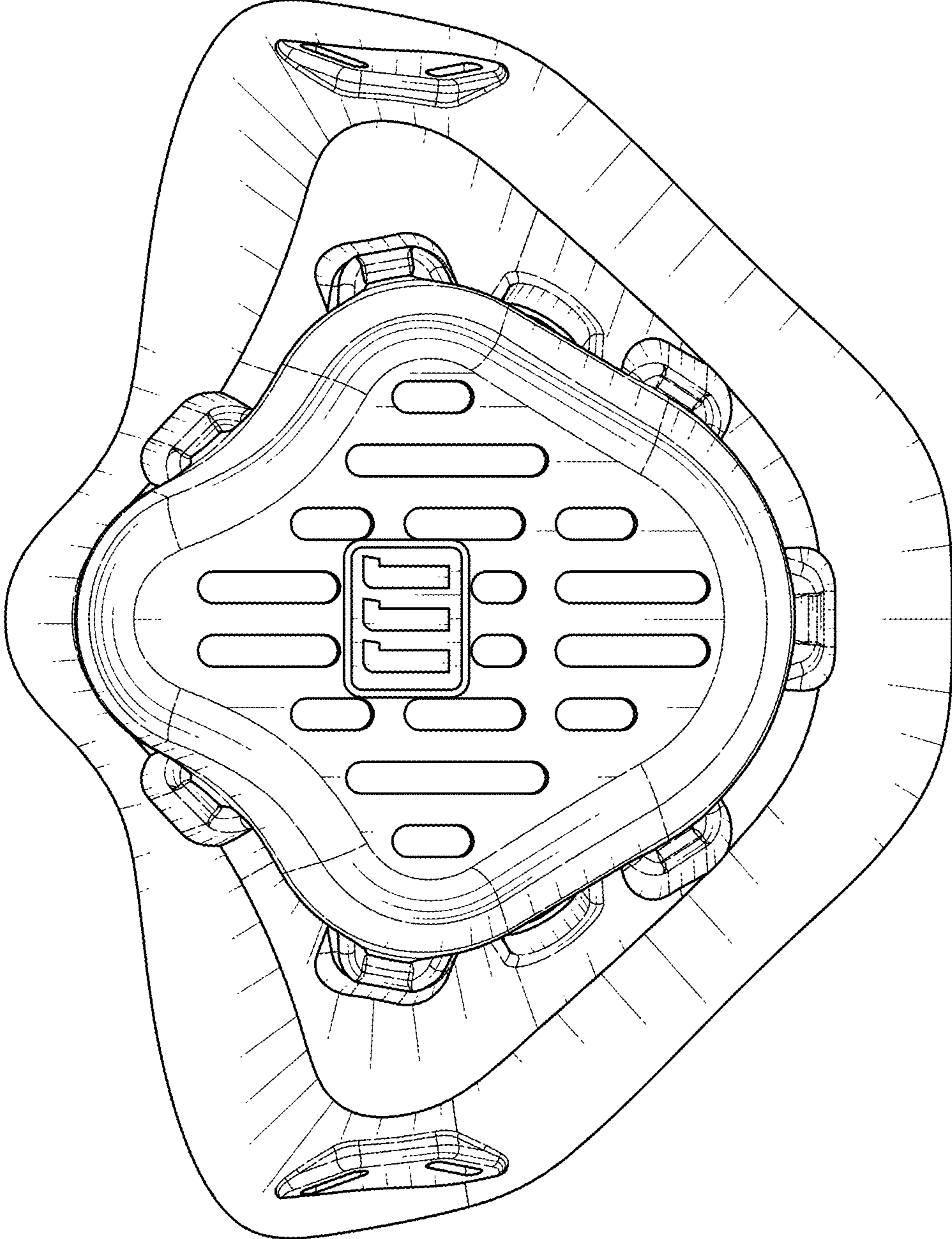


FIG. 3

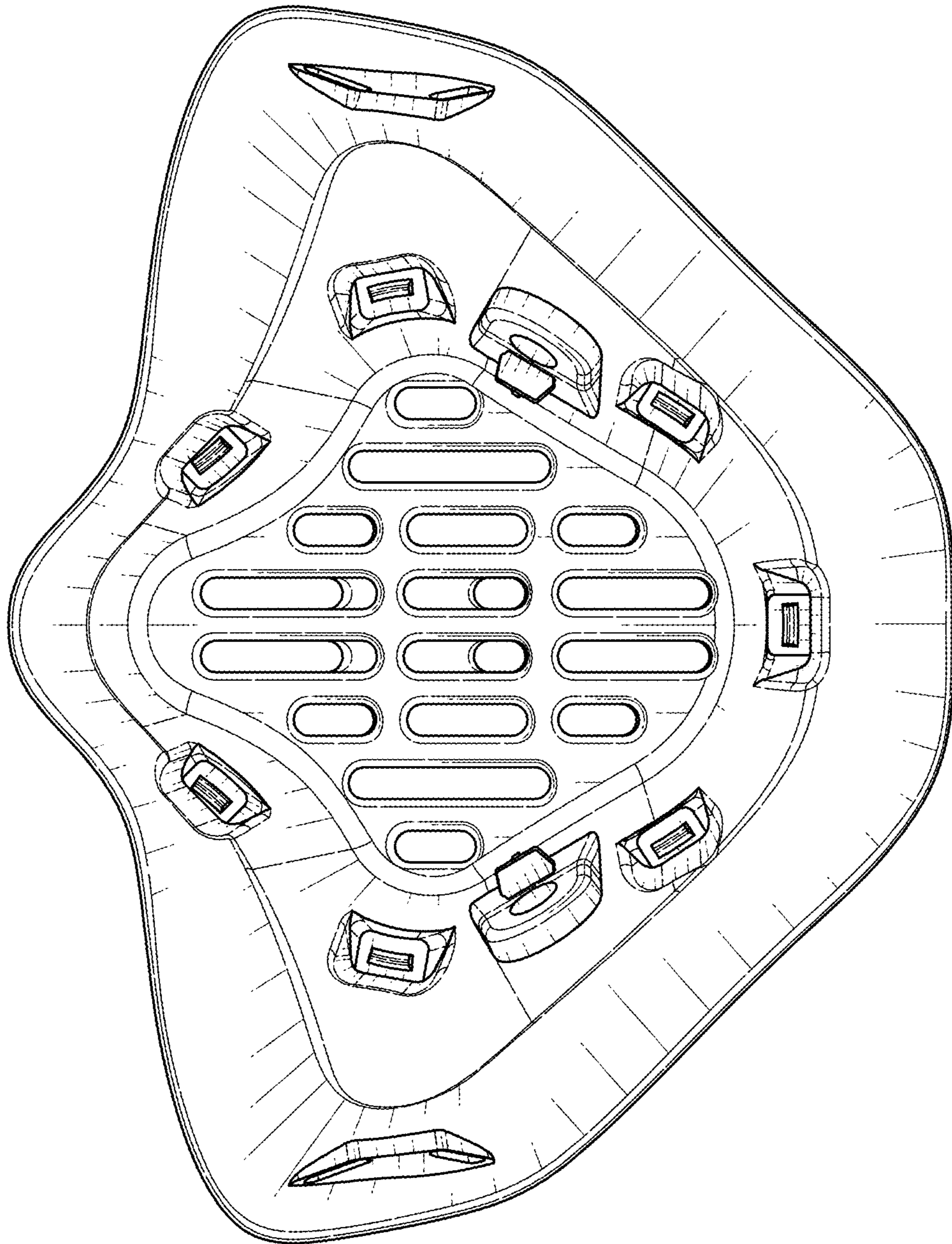


FIG. 4

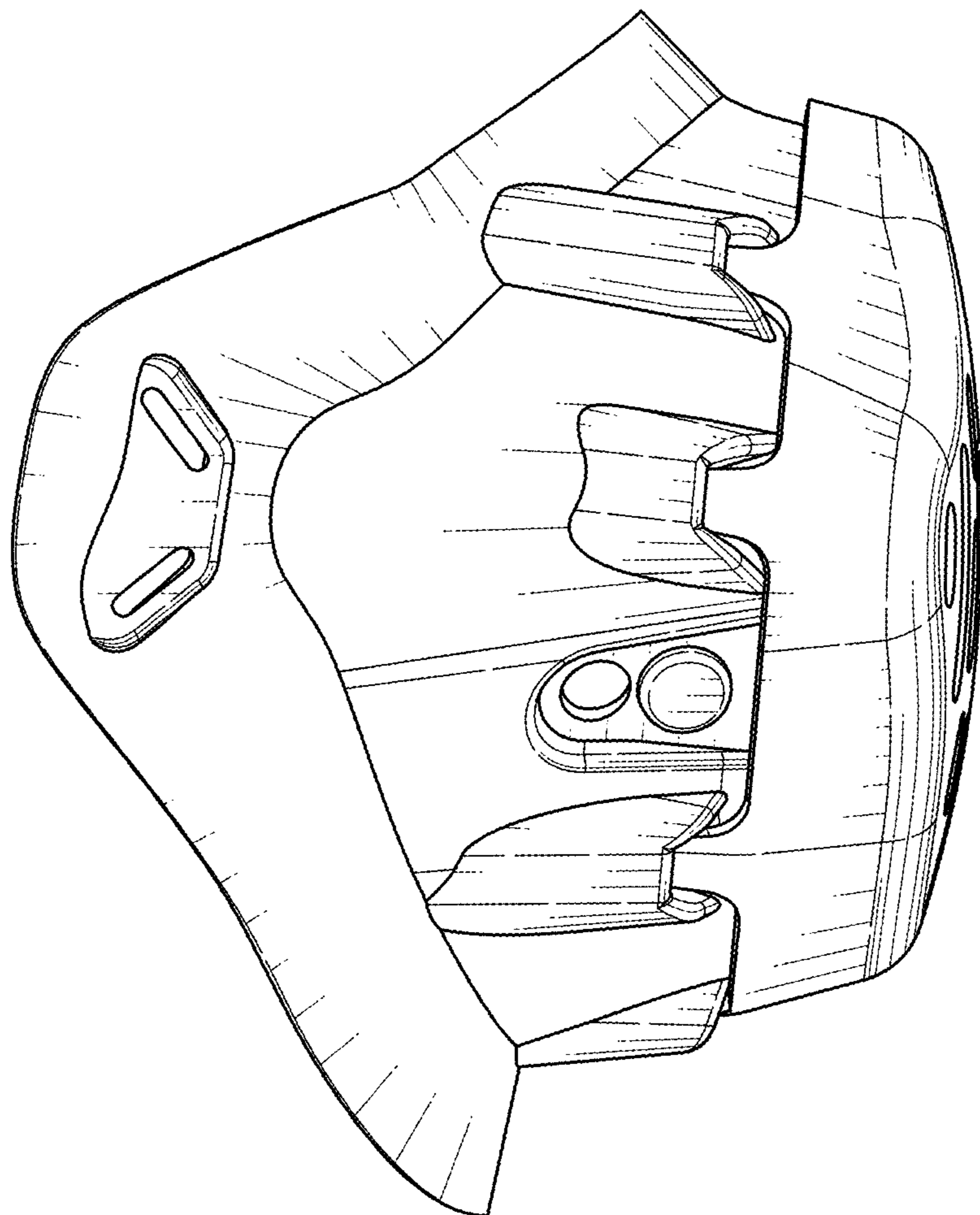


FIG. 5

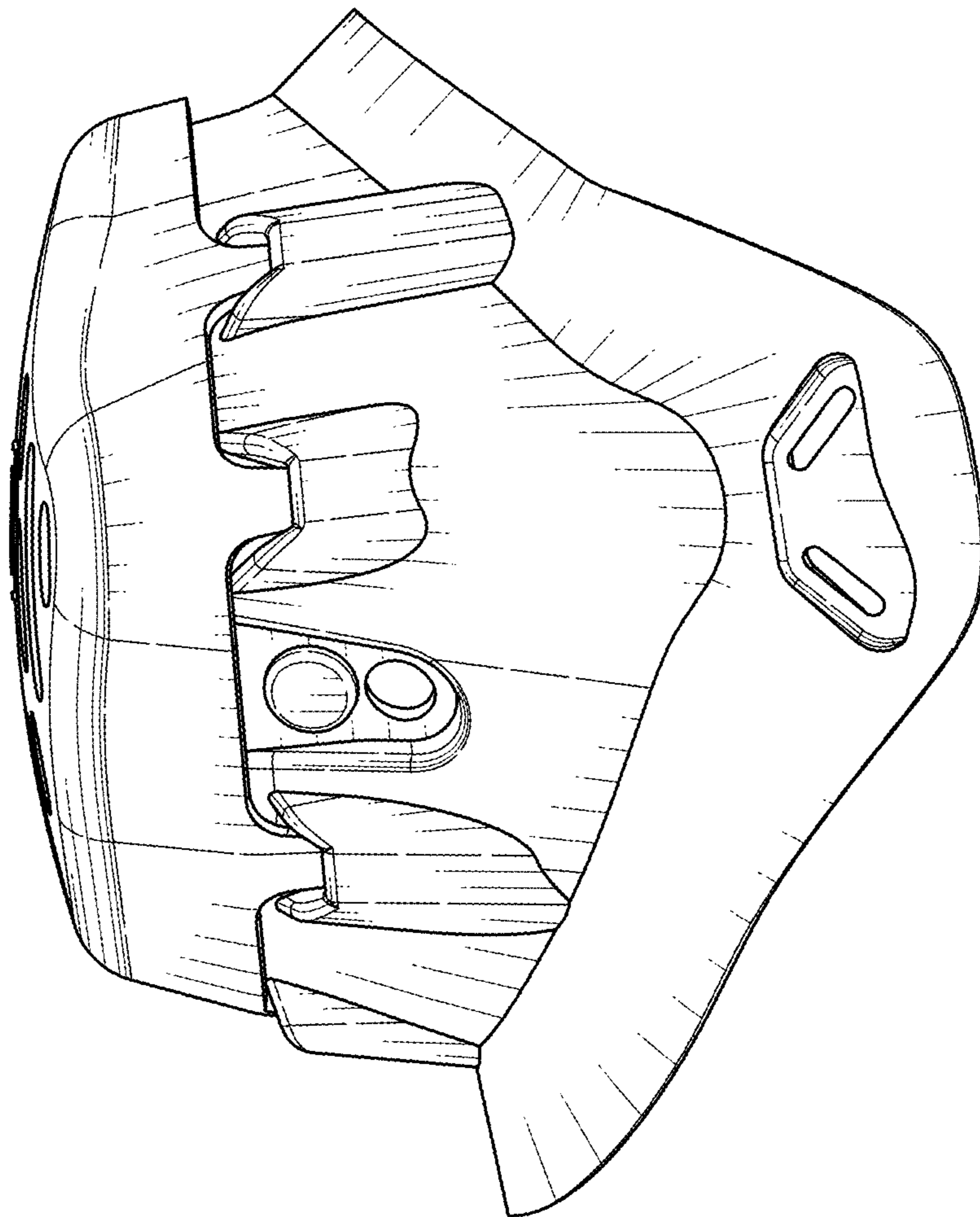


FIG. 6

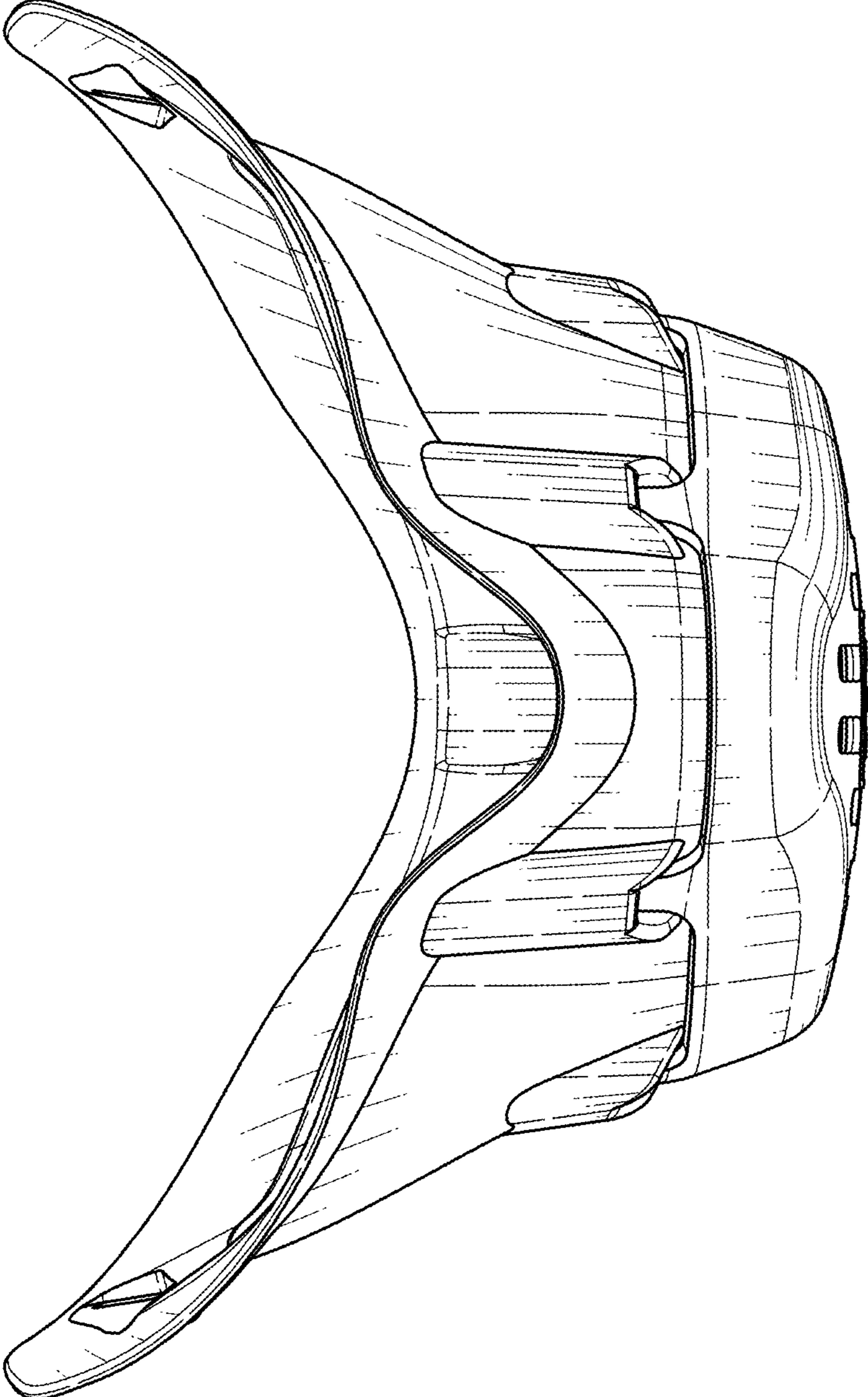


FIG. 7

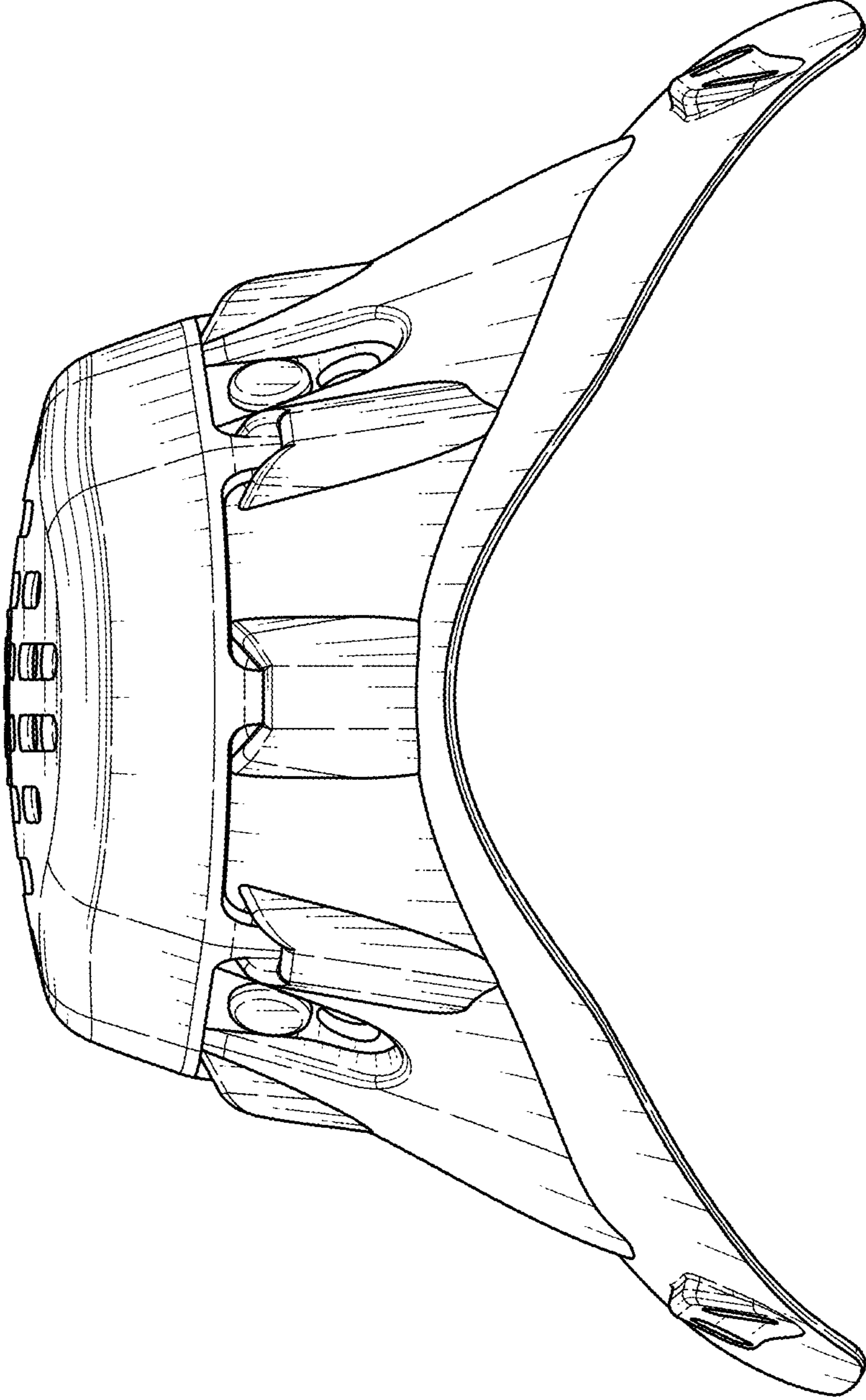


FIG. 8