



US00D946744S

(12) **United States Design Patent**
Sorna et al.

(10) **Patent No.:** **US D946,744 S**
(45) **Date of Patent:** **** Mar. 22, 2022**

(54) **FILTERED FACE MASK WITH CAP**

(71) Applicant: **The United States of America as represented by the Secretary of the Navy, Arlington, VA (US)**

(72) Inventors: **Mark Sorna, Silverdale, WA (US); Jacob Yates, Poulsbo, WA (US)**

(73) Assignee: **The United States of America as represented by the Secretary of the Navy, Keyport, WA (US)**

(**) Term: **15 Years**

(21) Appl. No.: **29/742,296**

(22) Filed: **Aug. 7, 2020**

(51) **LOC (13) Cl.** **29-02**

(52) **U.S. Cl.**
USPC **D24/110.1; D29/108**

(58) **Field of Classification Search**
USPC **D24/110, 110.1-110.6, 162, 164; D29/102, 105-108, 110**

(Continued)

(56) **References Cited**

U.S. PATENT DOCUMENTS

2,640,481 A * 6/1953 Conley F16K 15/144
128/206.15
2,664,887 A * 1/1954 Green A62B 18/025
128/206.17

(Continued)

FOREIGN PATENT DOCUMENTS

CN 306651577 * 6/2011
CN 302912292 * 8/2014

(Continued)

OTHER PUBLICATIONS

Ewolee Dust Mask (available online May 8, 2019) Retrieved from the internet Oct. 21, 2021 from URL: <https://www.amazon.com/Ewolee-Anti-dust-Cartridge-Respirator-Protection/dp/B07RGTP5XS/>*

(Continued)

Primary Examiner — Richard Kearney

Assistant Examiner — Michael Hoffman

(74) *Attorney, Agent, or Firm* — Stephen J. Leahu; Naval Undersea Warfare Center

(57) **CLAIM**

The ornamental design for a filtered face mask with cap, as shown and described.

DESCRIPTION

The present applicatoin claims the benefit of provisional patent application Ser. No. 63/102,253 to Soma et al., titled: "Tactical Armed Forced Filtering Face Mask," filed Jun. 5, 2020 which is incorporated herein by reference.

The present application is also related to co-pending utility application Ser. No. 16/873,908 titled "Filtered Face Mask" filed the same day.

The present application is additionally related to co-pending design patent application Ser. Nos. 29/742,298 and 29/742,295 titled: "Filtered Face Mask Respirator" and "Filtered Face Mask Respirator With Cap" respectively, both filed on the same day as the present application.

The present application is also related to co-pending design application for "Filtered Face Mask" application Ser. No. 29/742,297 filed the same day.

The invention described herein may be manufactured and used by or for the Government of the United States of America for governmental purposes without the payment of any royalties thereon or therefor.

FIG. 1 is an isometric top, right, front view of a first embodiment of a filtered face mask with cap in accordance with the invention;

FIG. 2 is an isometric bottom rear left view thereof;

FIG. 3 is a front view of the embodiment of FIG. 1;

FIG. 4 is a right side view of the embodiment of FIG. 1;

FIG. 5 is a rear view of the embodiment of FIG. 1;

FIG. 6 is a left side view of the embodiment of FIG. 1;

FIG. 7 is a top view of the embodiment of FIG. 1;

FIG. 8 is a bottom view of the embodiment of FIG. 1;

FIG. 9 is a first cross sectional view of the embodiment of FIG. 1 taken at the section line 9-9 of FIG. 3;

FIG. 10 is a second cross sectional view of the embodiment of FIG. 1 taken at the section line 10-10 of FIG. 3;

(Continued)

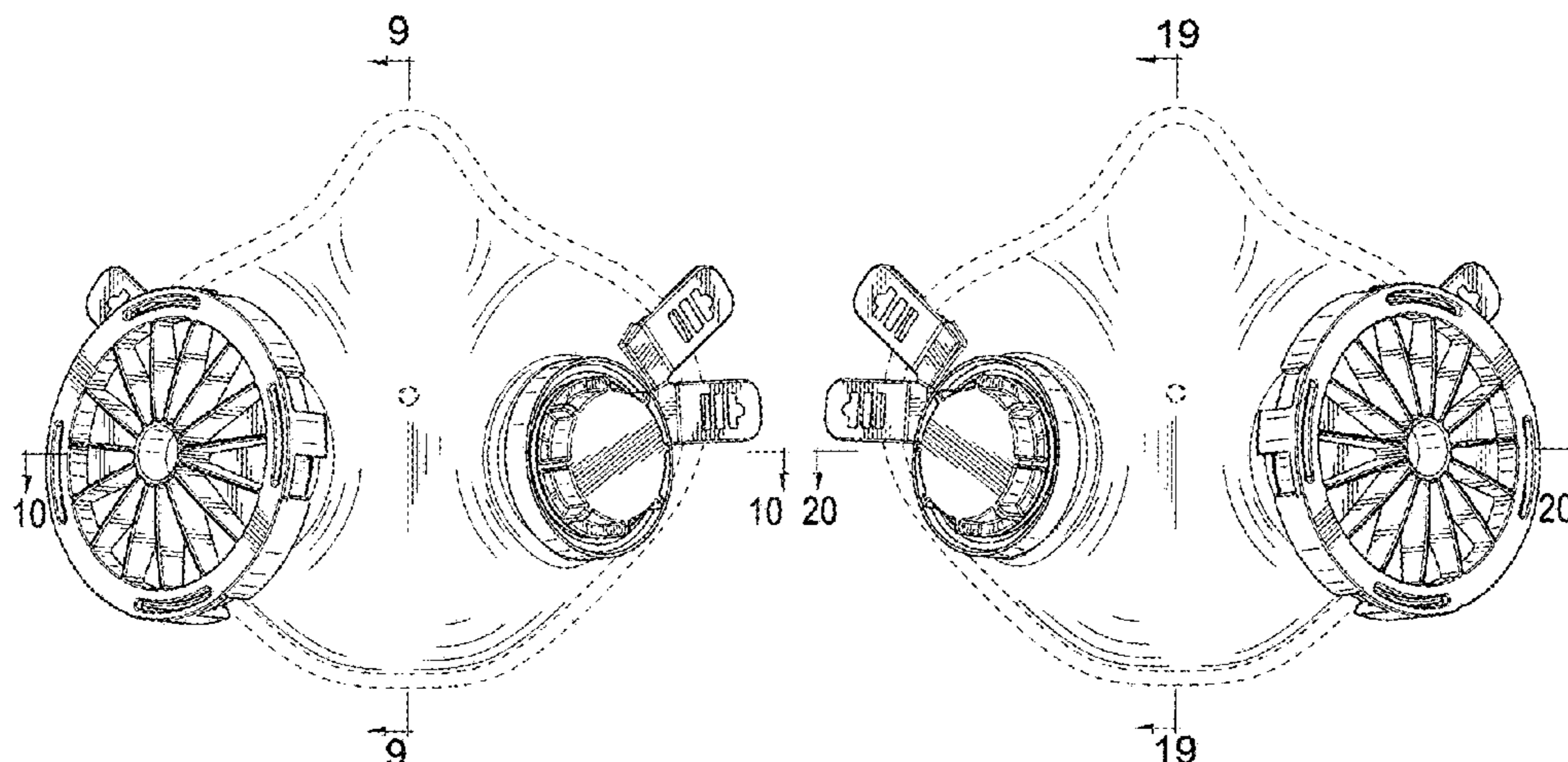


FIG. 11 is an isometric view of the top, right, front of a second embodiment of a filtered face mask with cap in accordance with the invention;
 FIG. 12 is an isometric view of the bottom rear left of the second embodiment of FIG. 11;
 FIG. 13 is a front view of the embodiment of FIG. 11;
 FIG. 14 is a right, side view of the embodiment of FIG. 11;
 FIG. 15 is a rear view of the embodiment of FIG. 11;
 FIG. 16 is a left side view of the embodiment of FIG. 11;
 FIG. 17 is a top view of the embodiment of FIG. 11;
 FIG. 18 is a bottom view of the embodiment of FIG. 11;
 FIG. 19 is a first cross sectional view of the embodiment of FIG. 11 taken at the section line 19-19 of FIG. 13; and,
 FIG. 20 is a second cross sectional view of the embodiment of FIG. 11 taken at the section line 20-20 of FIG. 13.
 The ornamental design for a filtered face mask with cap according to the invention is shown in the drawings and the dashed lines shown in the drawings form no part of the claimed design.

1 Claim, 18 Drawing Sheets

(58) **Field of Classification Search**

CPC . A41D 13/11; A41D 13/1107; A41D 13/1115;
 A41D 13/1123; A41D 13/113; A41D
 13/1138; A41D 13/1146; A41D 13/1153;
 A41D 13/1161; A41D 13/1169; A41D
 2400/52; A62B 18/00; A62B 18/02; A62B
 18/025; A62B 18/08; A62B 18/084; A62B
 18/10

See application file for complete search history.

(56) **References Cited**

U.S. PATENT DOCUMENTS

2,744,525 A * 5/1956 Whipple A62B 23/02
 128/206.15
 2,999,498 A * 9/1961 Matheson A62B 18/025
 128/206.15

3,142,549 A * 7/1964 Klusewitz A62B 23/02
 96/121
 D271,246 S * 11/1983 Matheson D24/110.1
 4,414,973 A * 11/1983 Matheson A62B 18/00
 128/206.15
 D286,213 S * 10/1986 Maryyanek D24/110.1
 4,886,058 A * 12/1989 Brostrom A62B 23/02
 128/206.12
 D326,540 S * 5/1992 Scholey D24/110.1
 5,505,197 A * 4/1996 Scholey A62B 18/00
 128/202.27
 D467,656 S * 12/2002 Mittelstadt D24/110.1
 D471,627 S * 3/2003 Mittelstadt D24/110.1
 6,732,733 B1 * 5/2004 Brostrom A62B 18/084
 128/206.27
 9,993,668 B2 * 6/2018 Gerson A62B 18/08
 2021/0353890 A1 * 11/2021 Tiwari A61M 16/107
 2021/0353975 A1 * 11/2021 Tseng A62B 18/025
 2021/0353980 A1 * 11/2021 Ong Wern F16K 15/147
 2021/0379420 A1 * 12/2021 Soma A62B 23/02

FOREIGN PATENT DOCUMENTS

CN 303808927 * 8/2016
 CN 306035495 * 9/2020
 CN 306361609 * 3/2021
 CN 306910511 * 10/2021

OTHER PUBLICATIONS

North by Honeywell (available Aug. 20, 2018) Retrieved from the internet Oct. 21, 2021 from URL: <https://www.amazon.com/Honeywell-770030M-Respirator-Capacity-Standard/dp/B0115YDQ5U>.*

Holulu Half Face Respirator (available Feb. 24, 2021) Retrieved from the internet Oct. 21, 2021 from URL: <https://www.amazon.com/dp/B08X6H27TK/>.*

PT-60 Half Face (available May 12, 2020) Retrieved from the internet Oct. 21, 2021 from URL: <https://www.amazon.com/PT-60-Half-Organic-Vapor-Respirator/dp/B0891YBPQR>.*

MSA 808053 (available online Apr. 9, 2013) Retrieved from the internet Nov. 12, 2021 from URL: <https://www.amazon.com/MSA-808053-Half-Mask-Facepiece-Respirator/dp/B00QXU6PFK/>.*

* cited by examiner

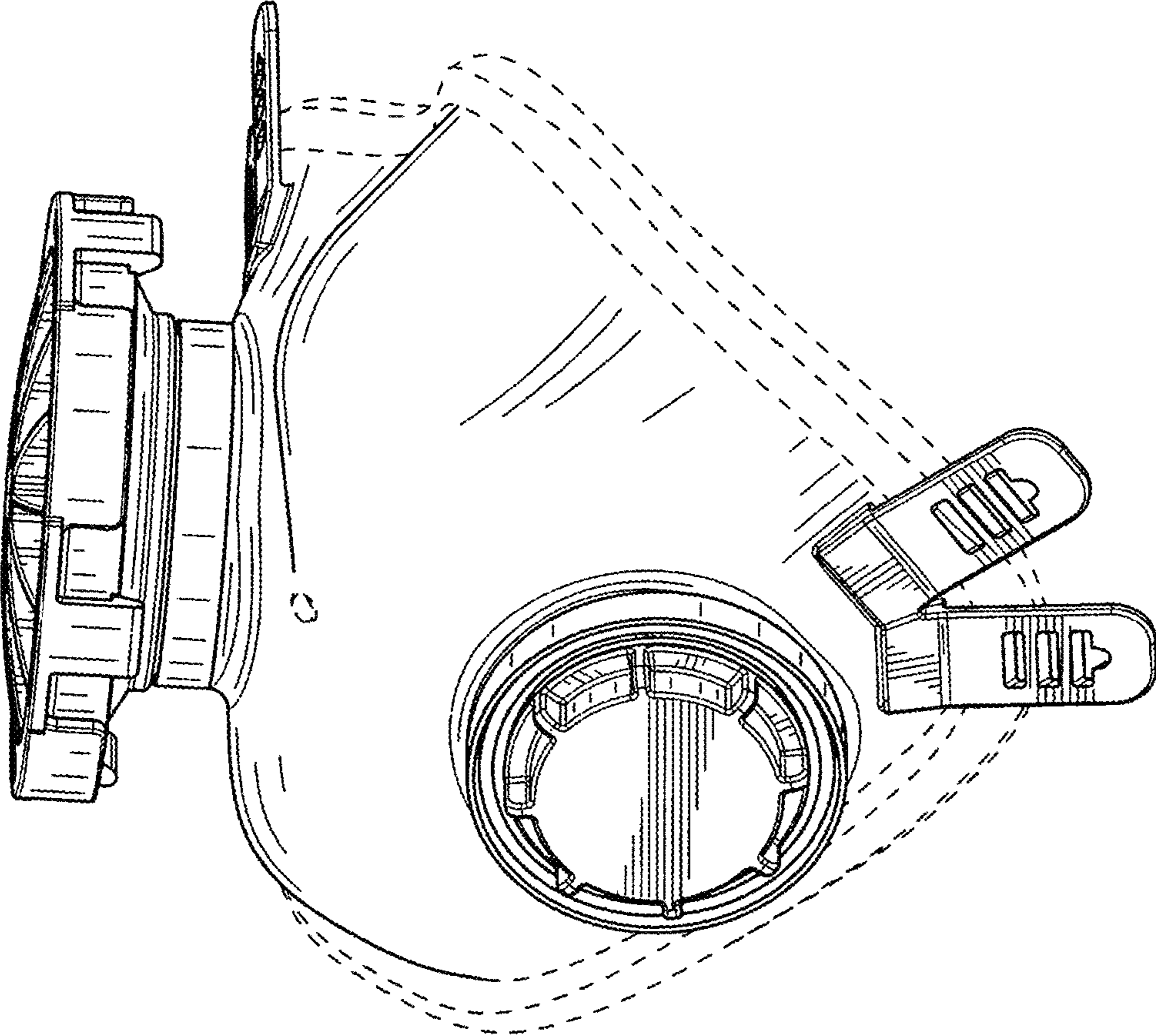


FIG. 1

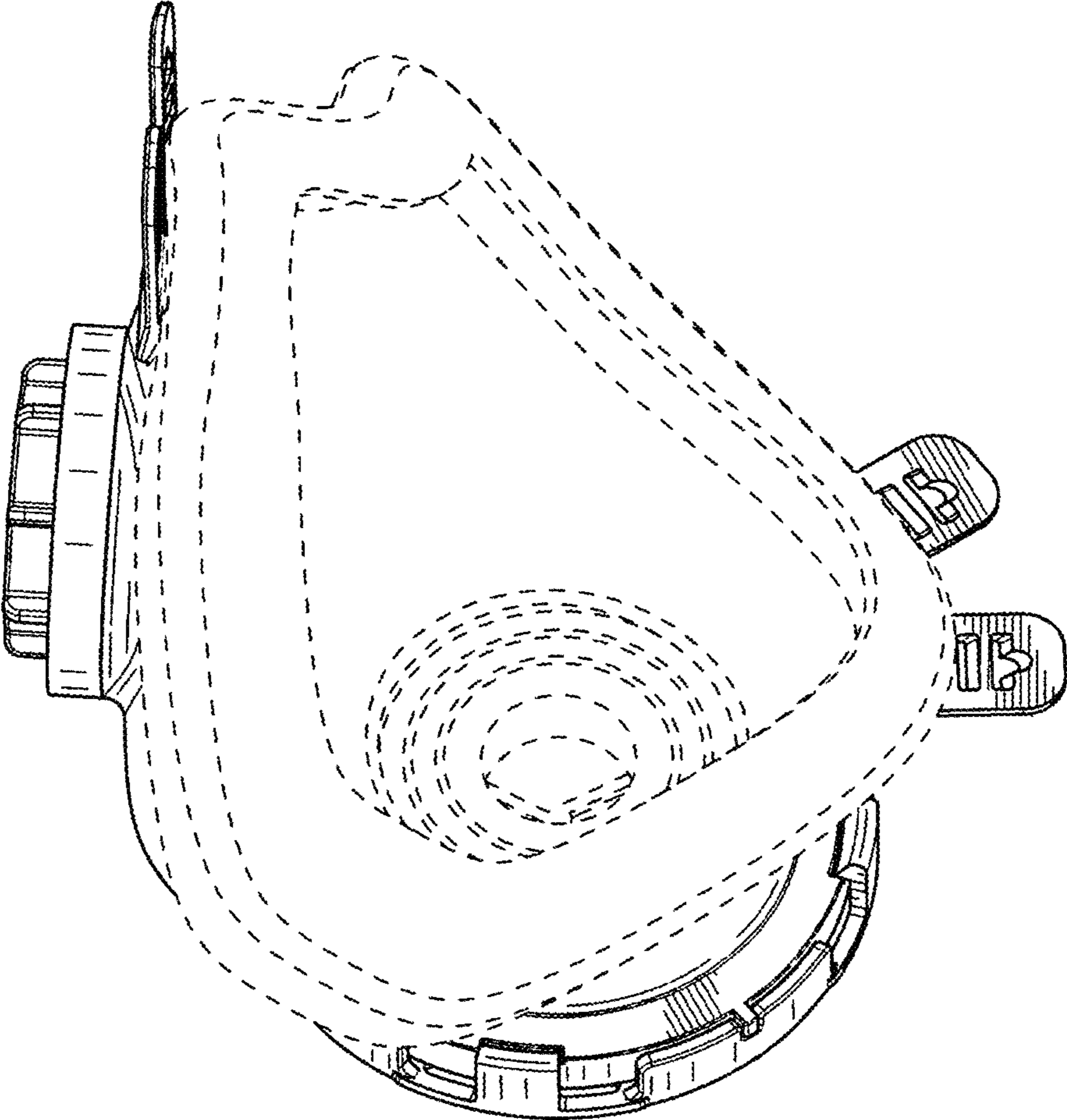


FIG. 2

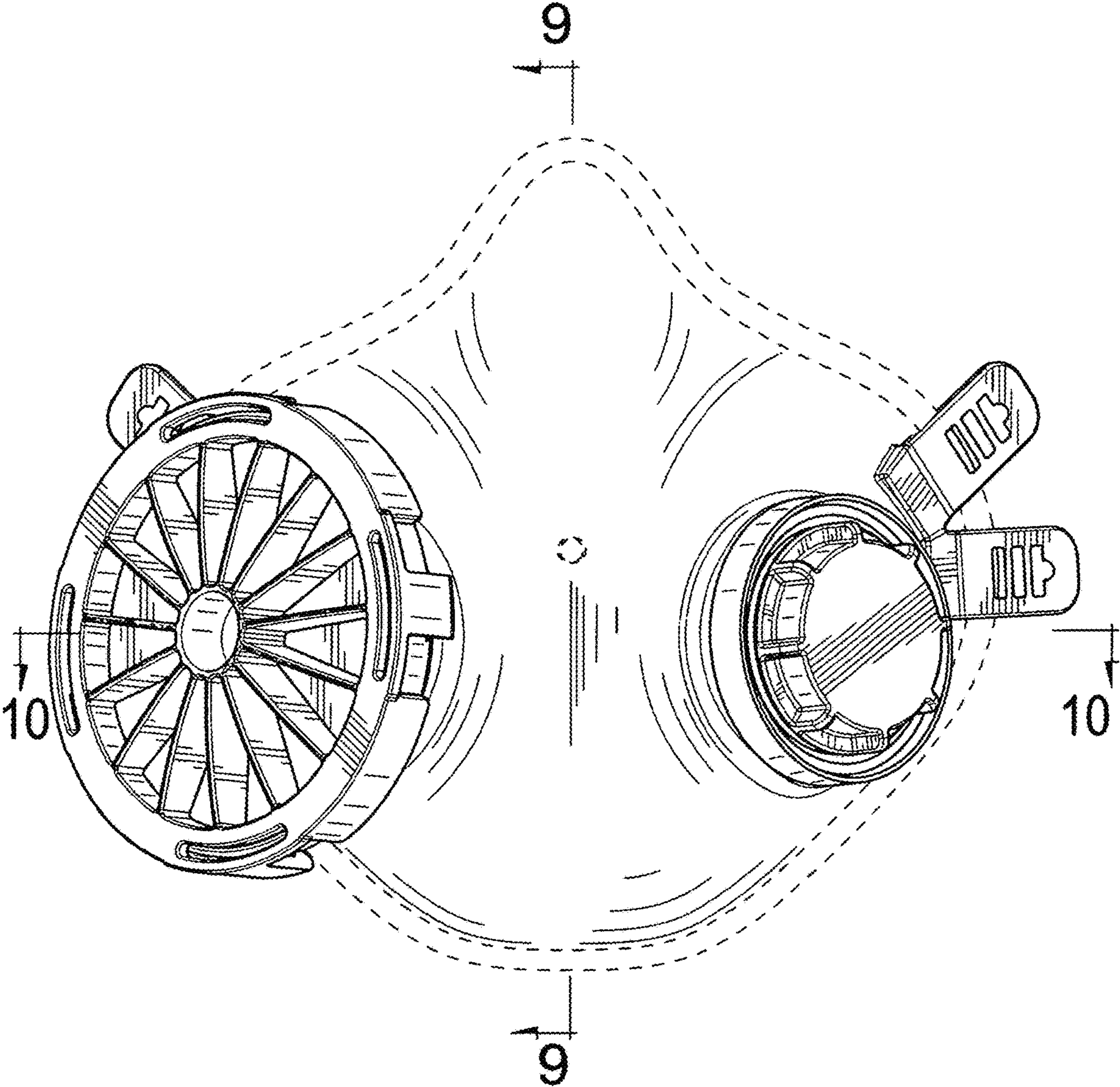


FIG. 3

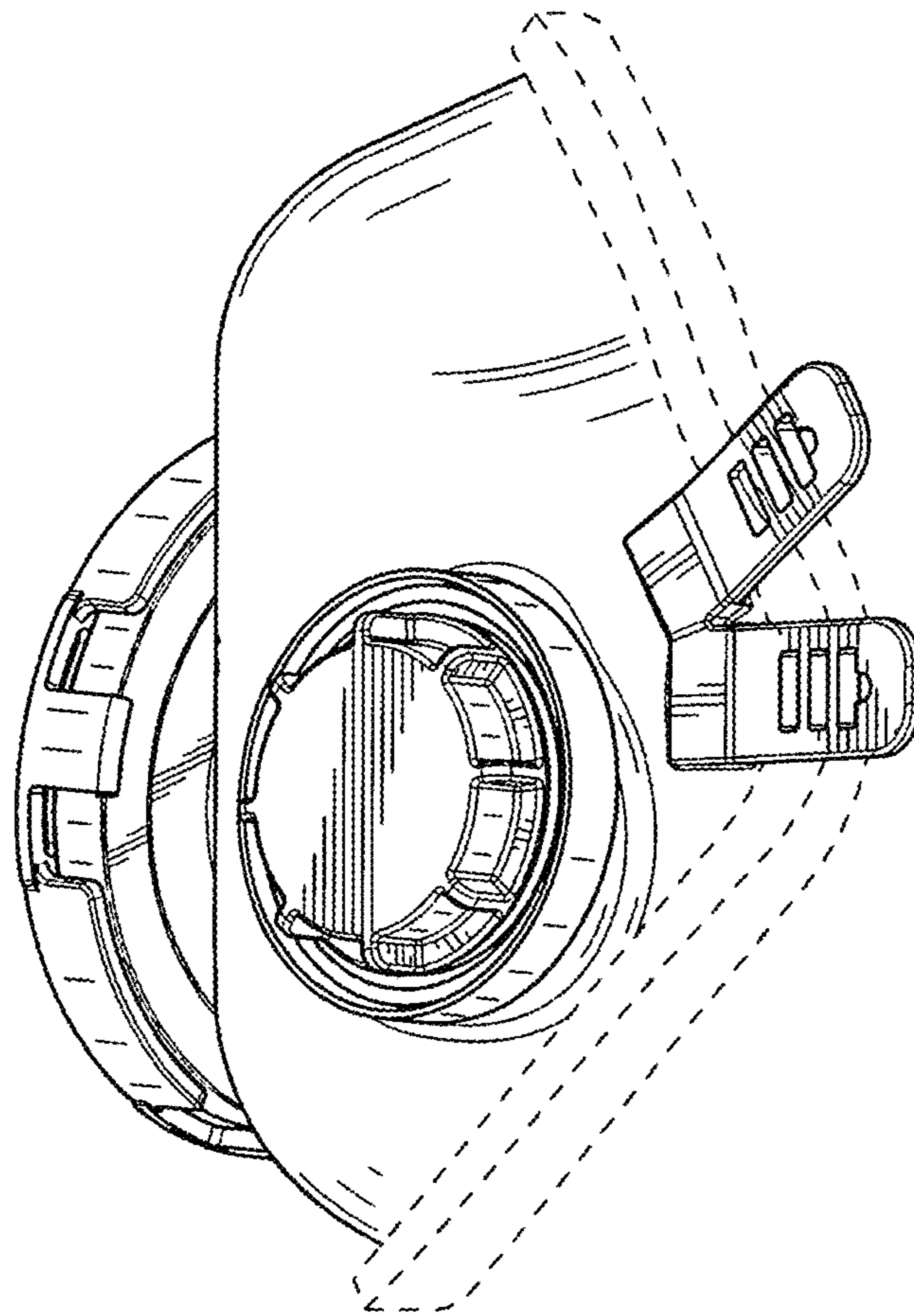


FIG. 4

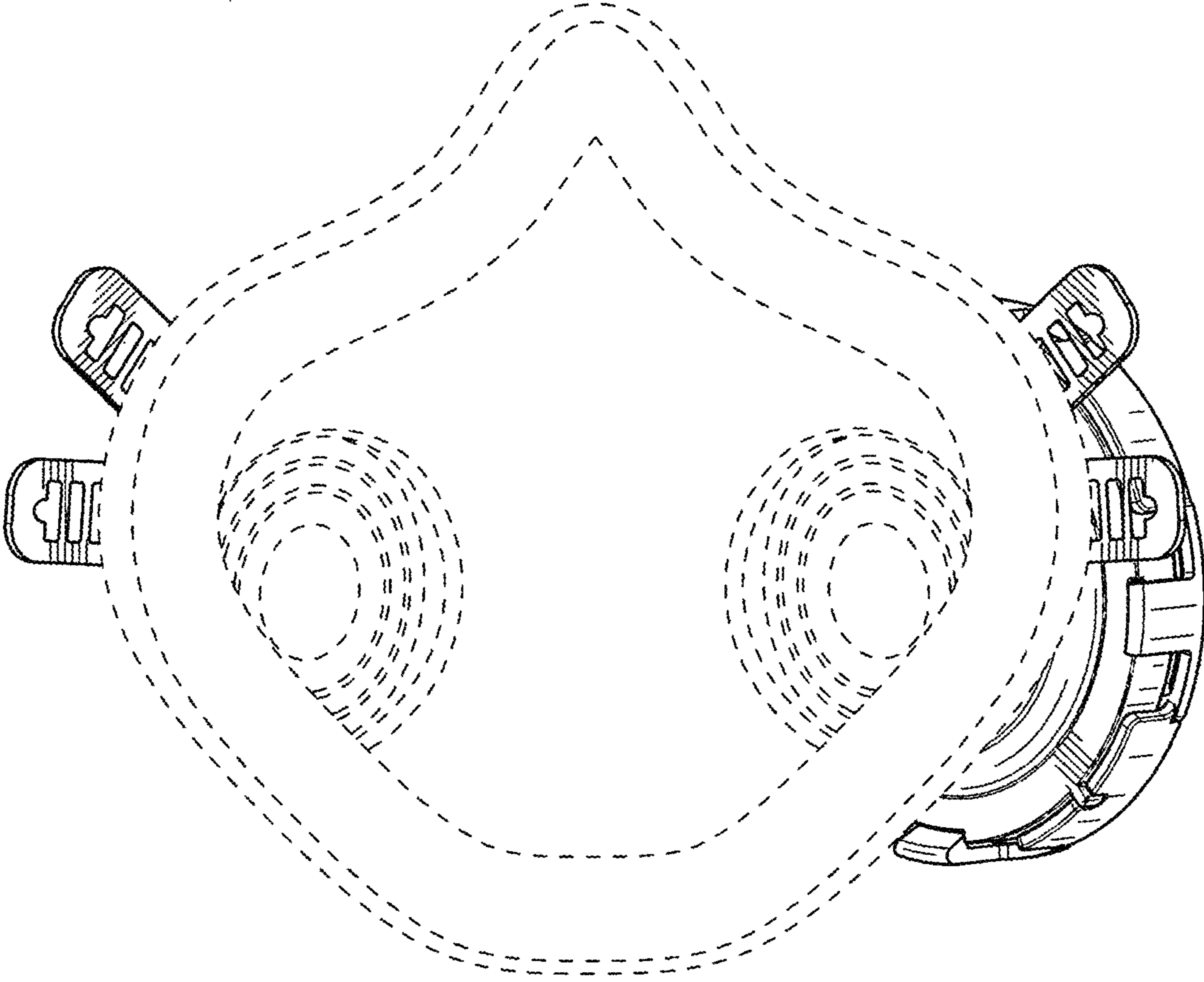


FIG. 5

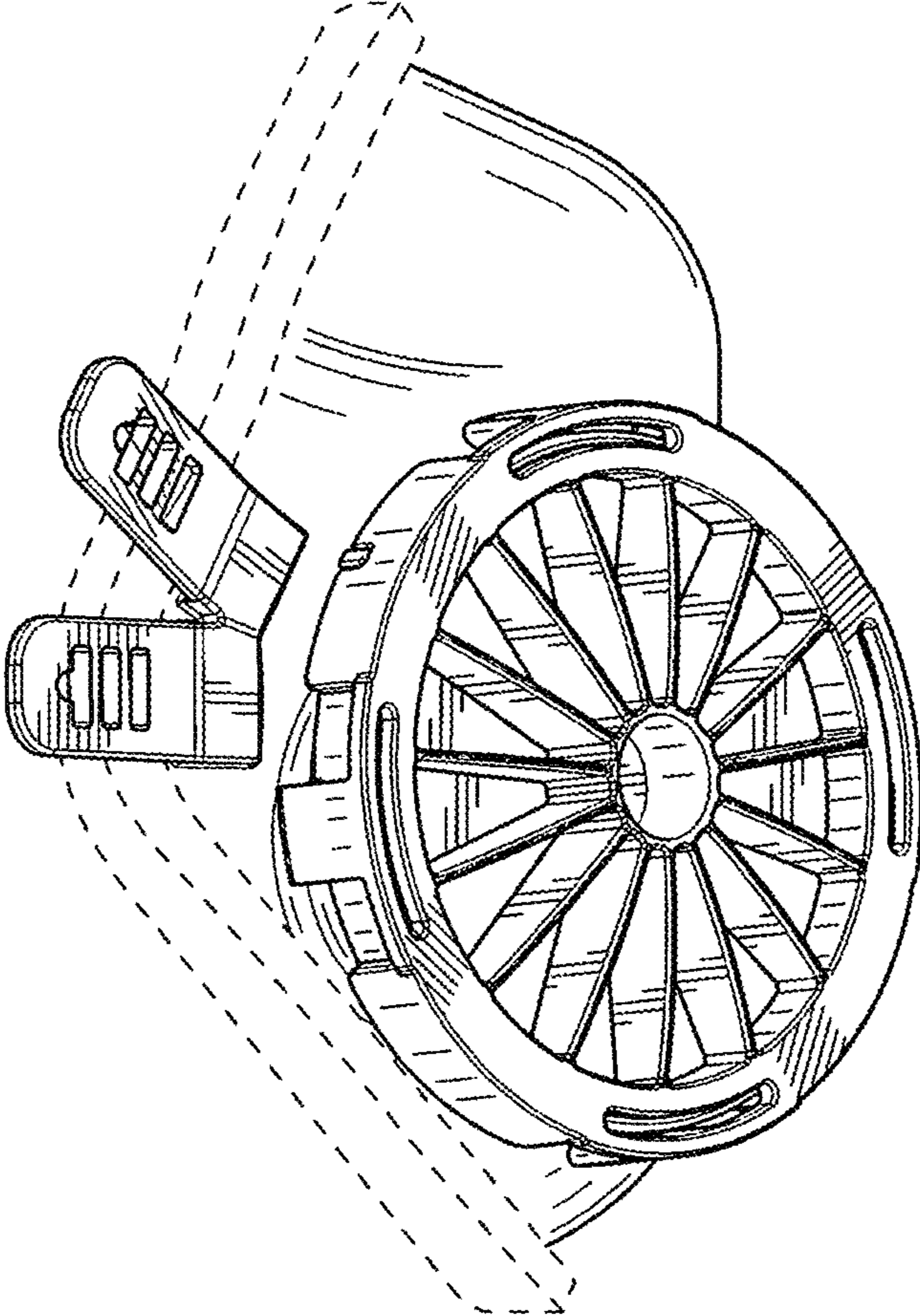


FIG. 6

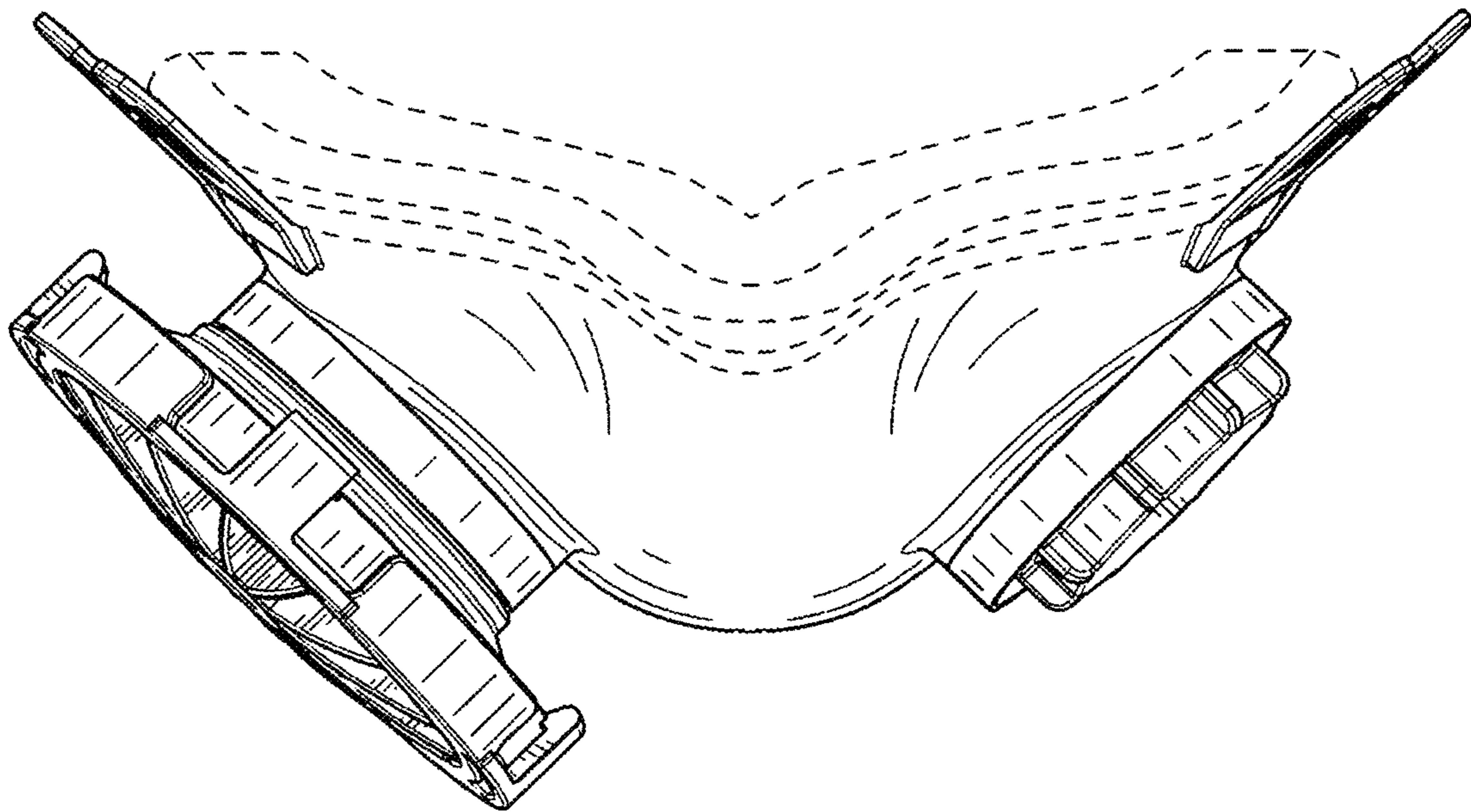


FIG. 7

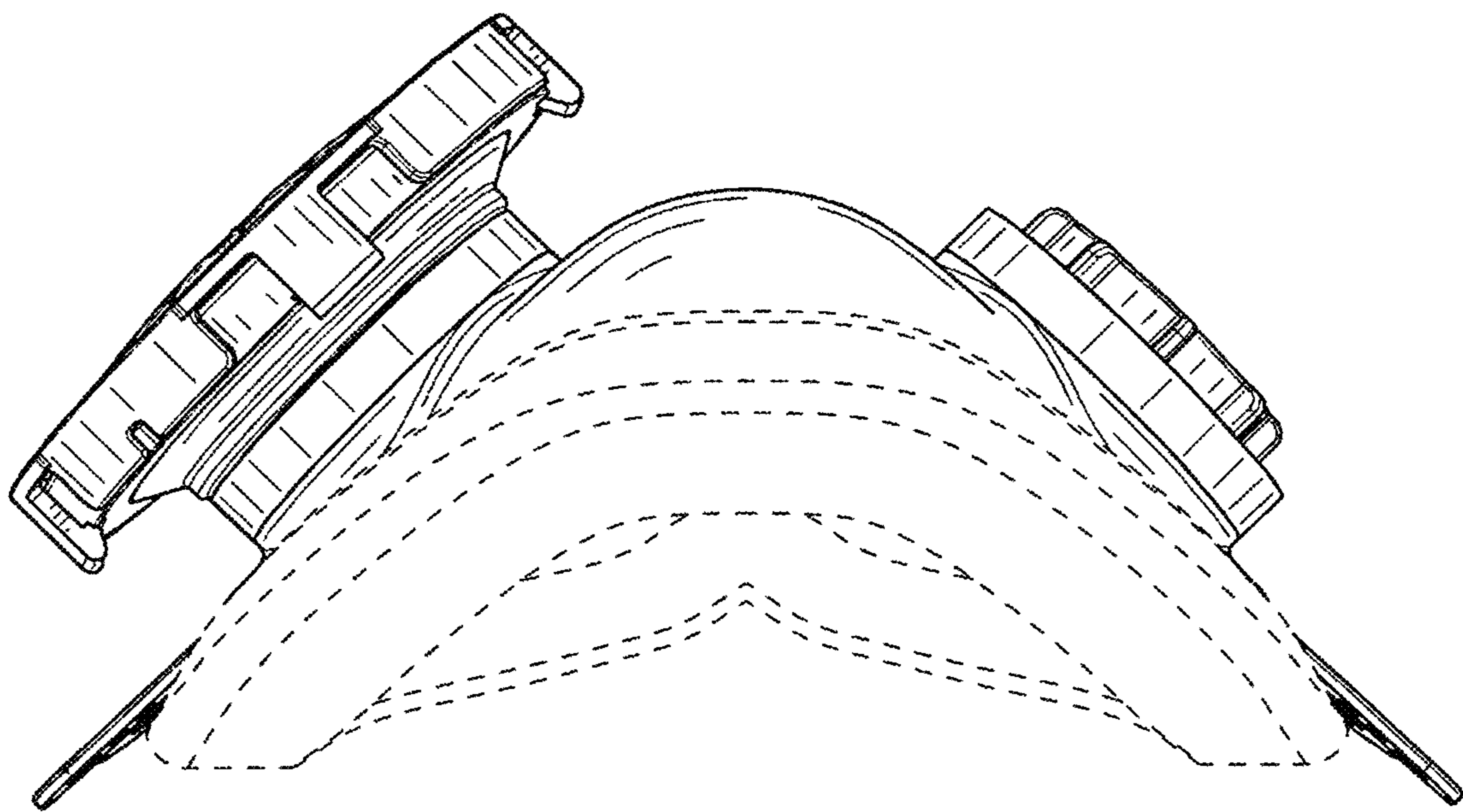


FIG. 8

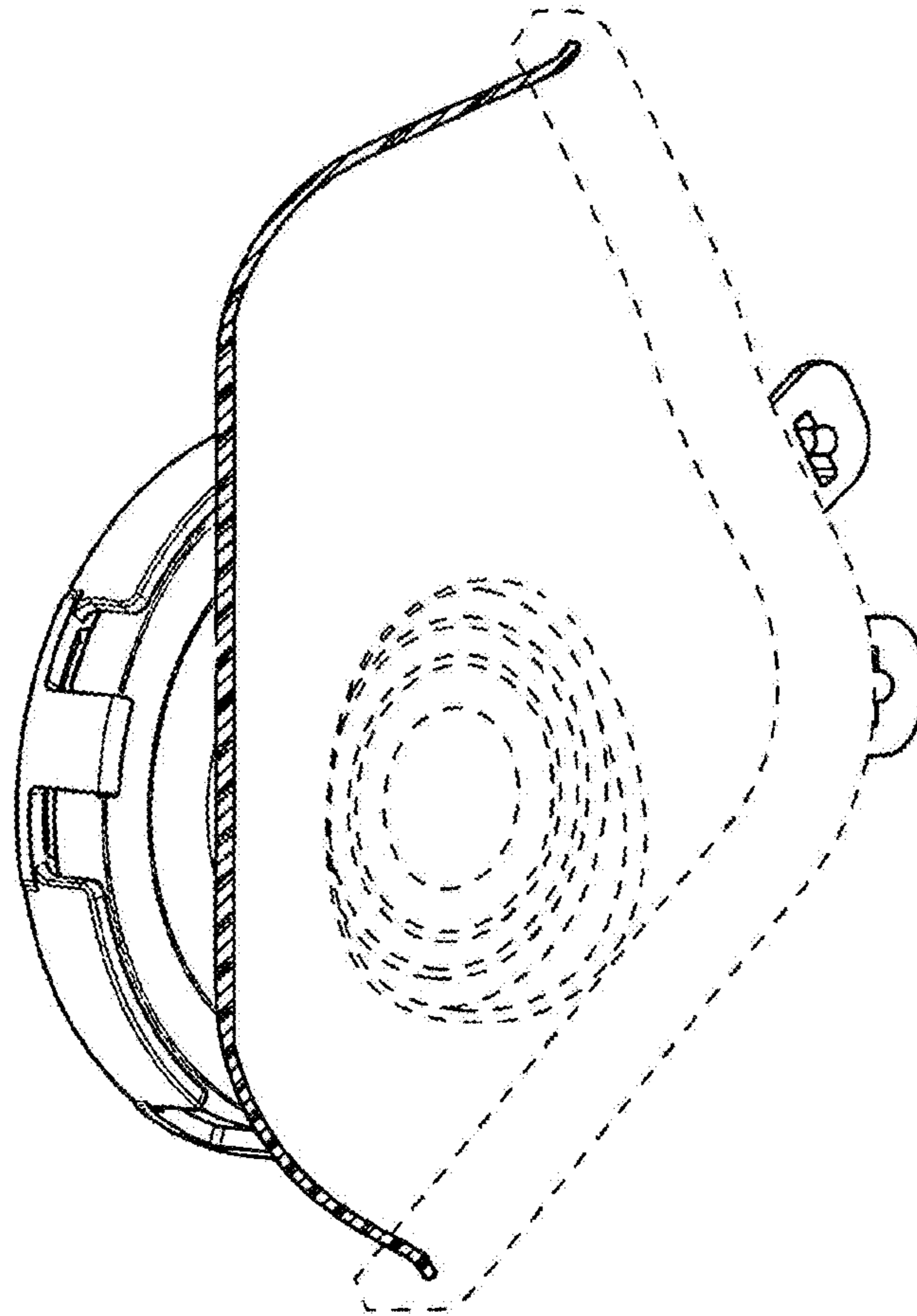


FIG. 9

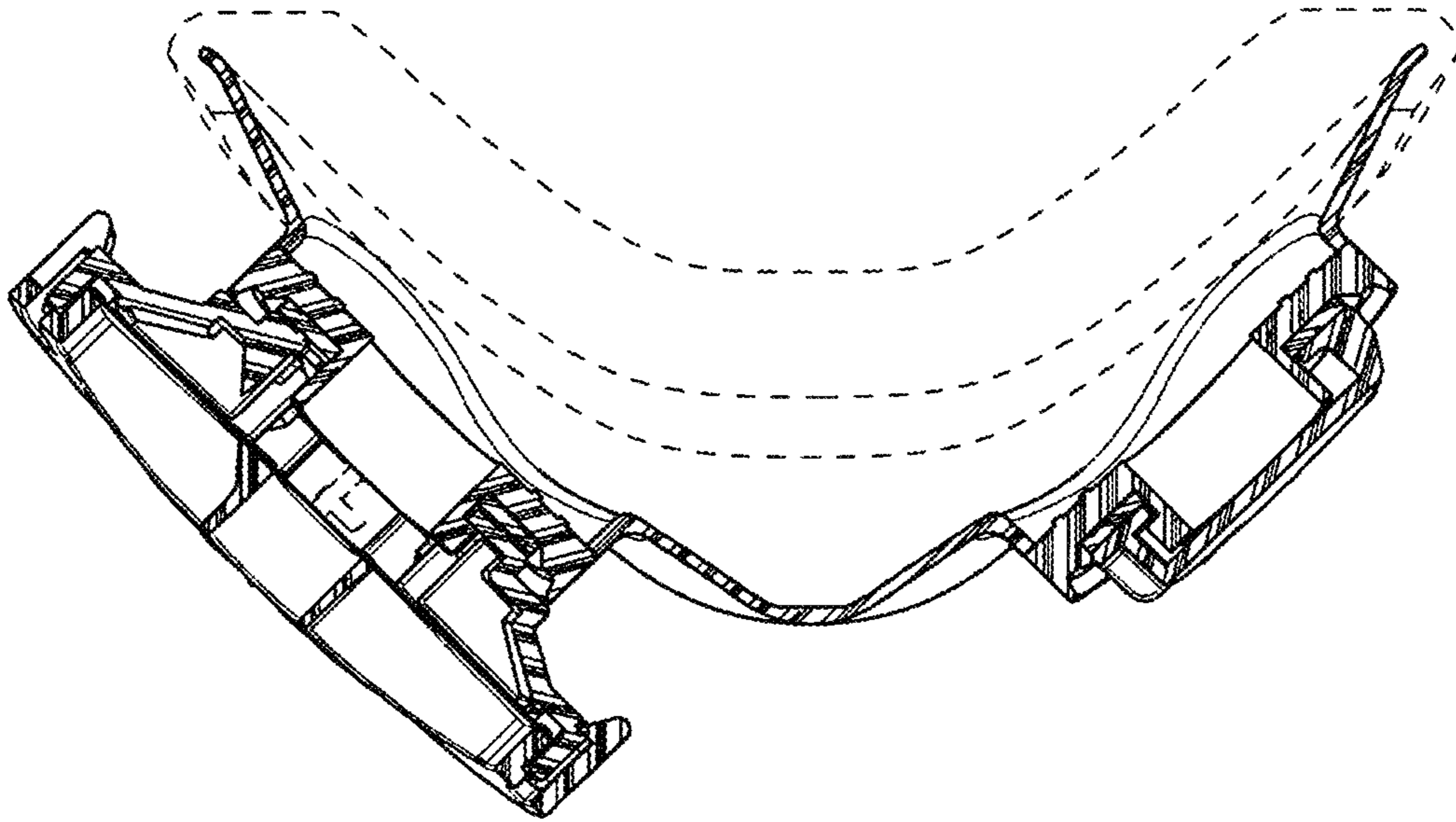


FIG. 10

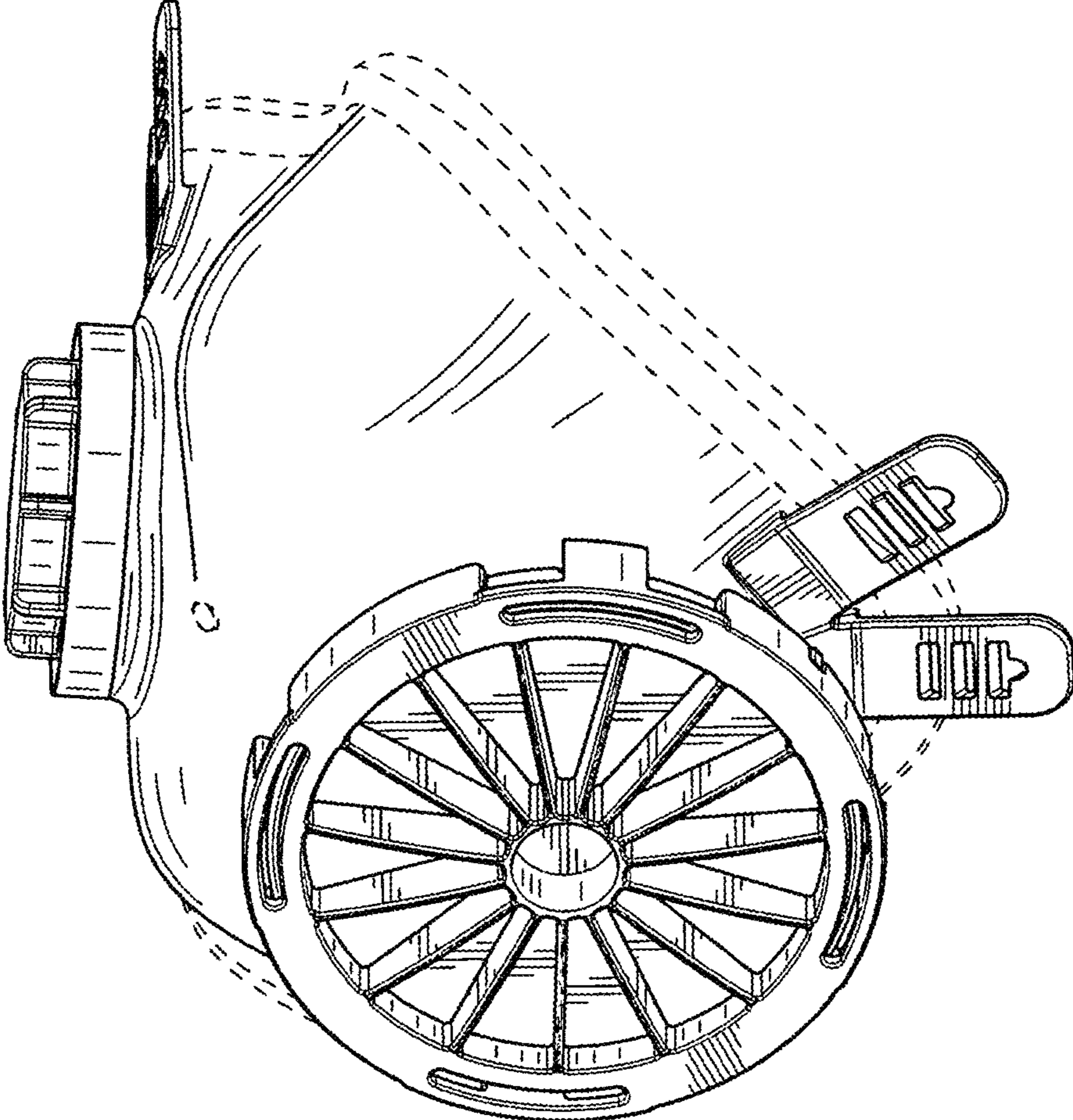


FIG. 11

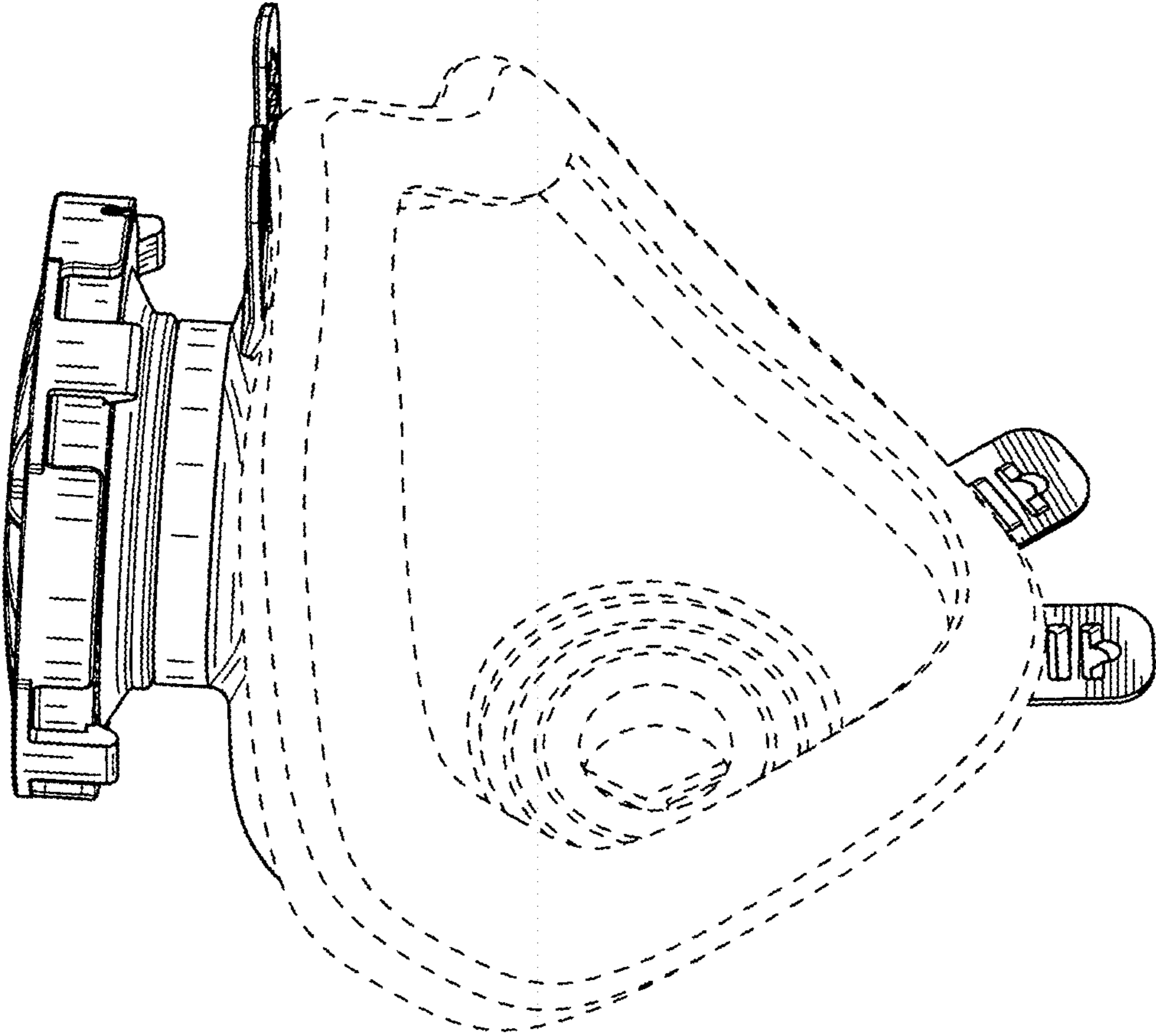


FIG. 12

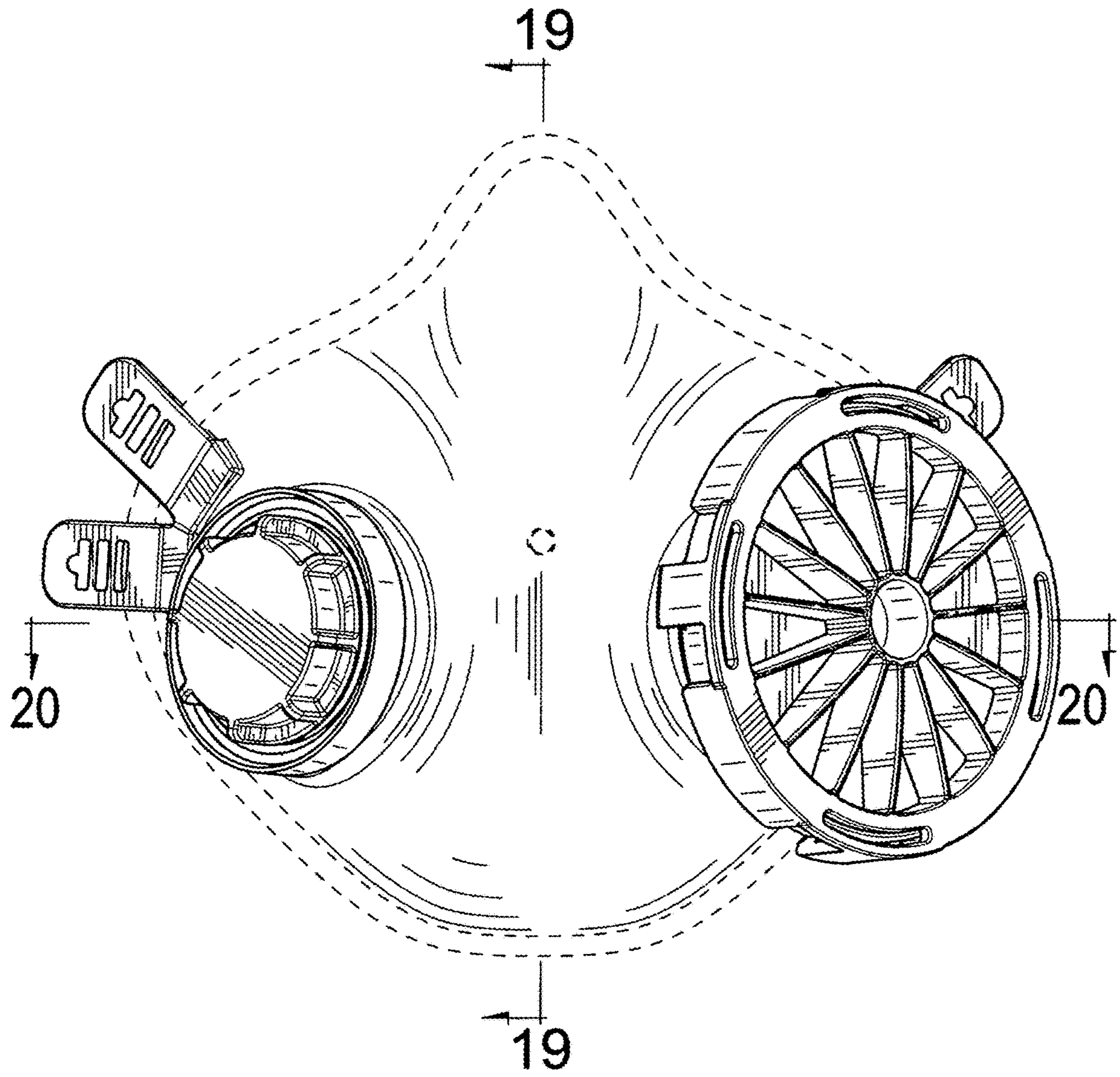


FIG. 13

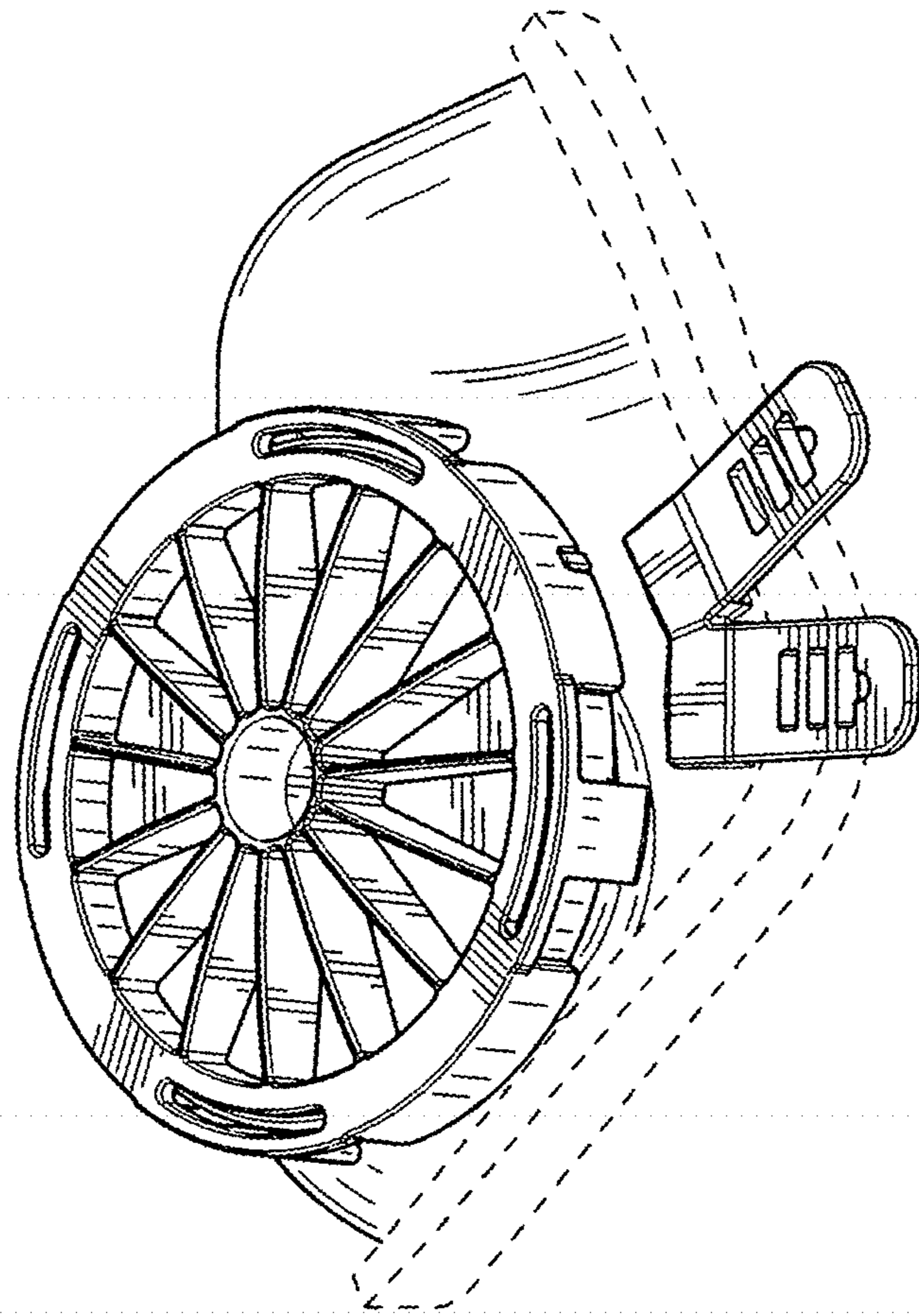


FIG. 14

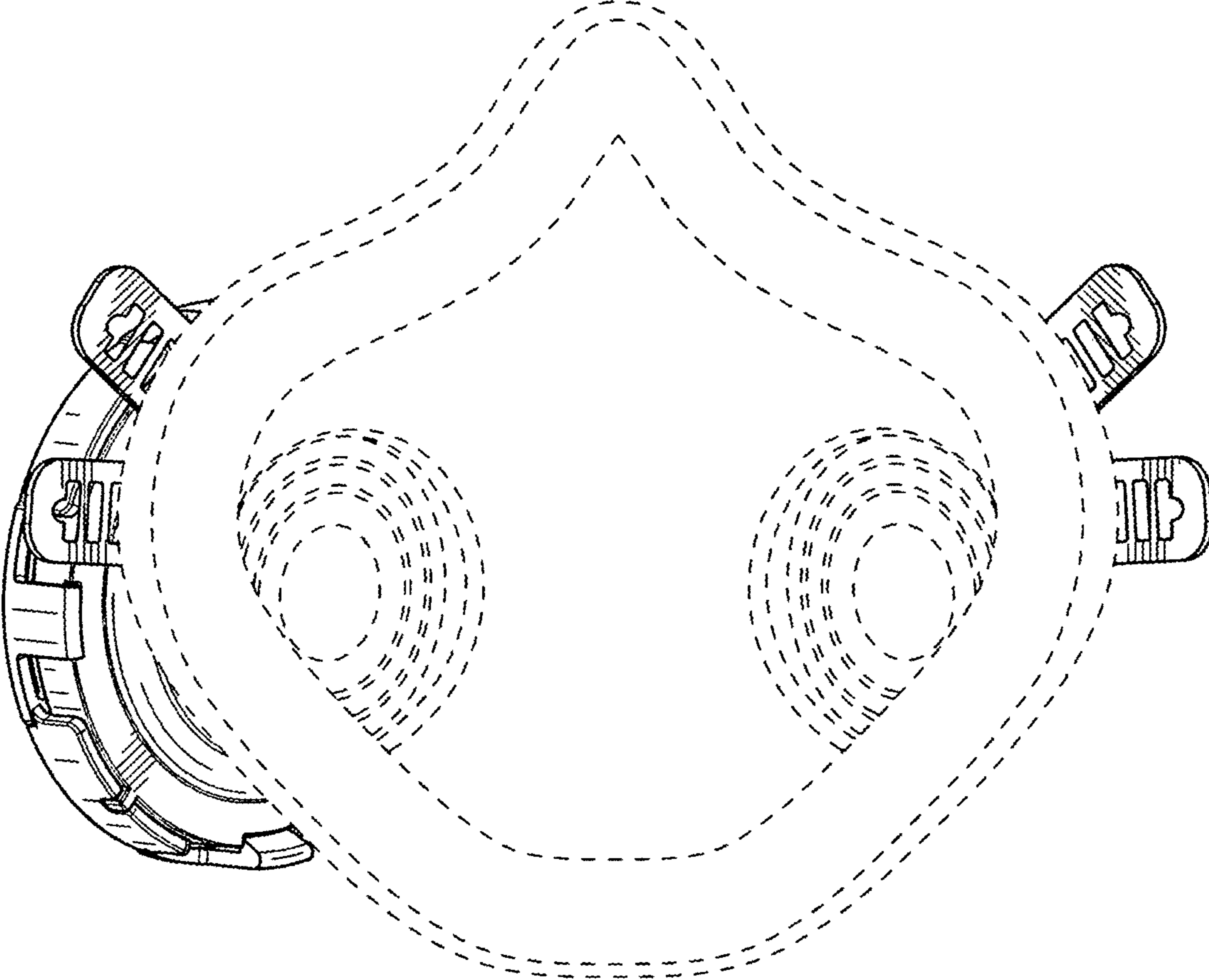


FIG. 15

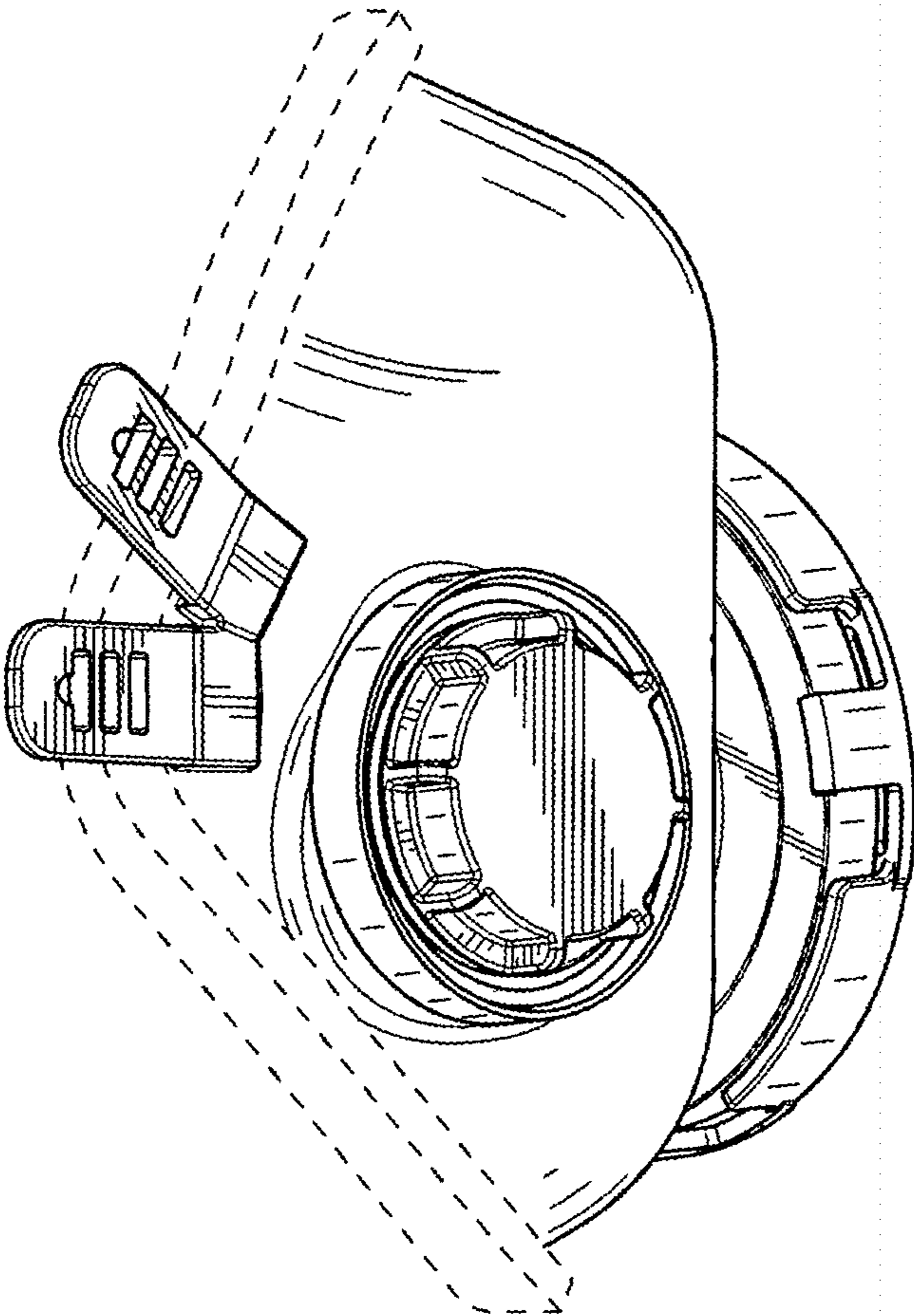


FIG. 16

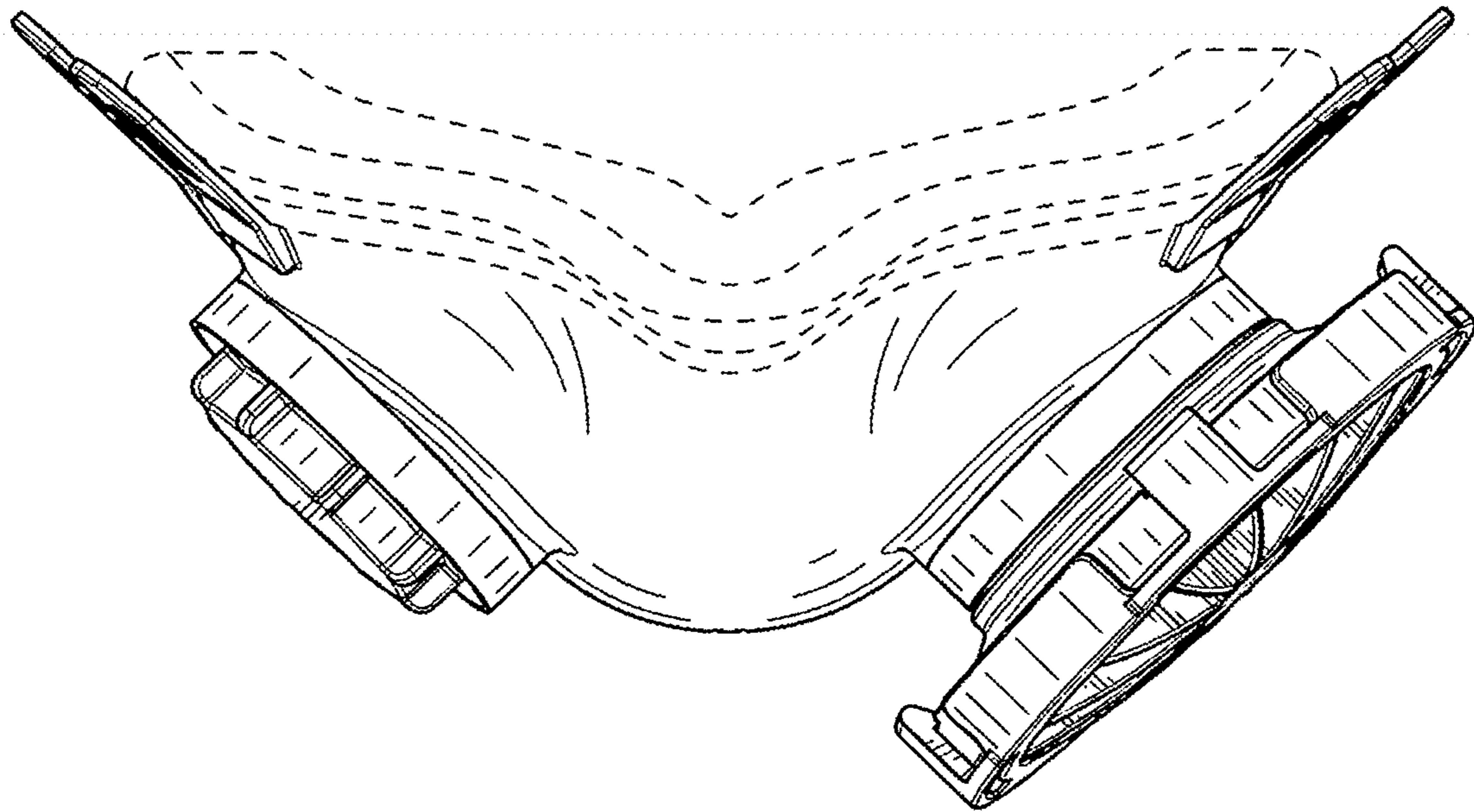


FIG. 17

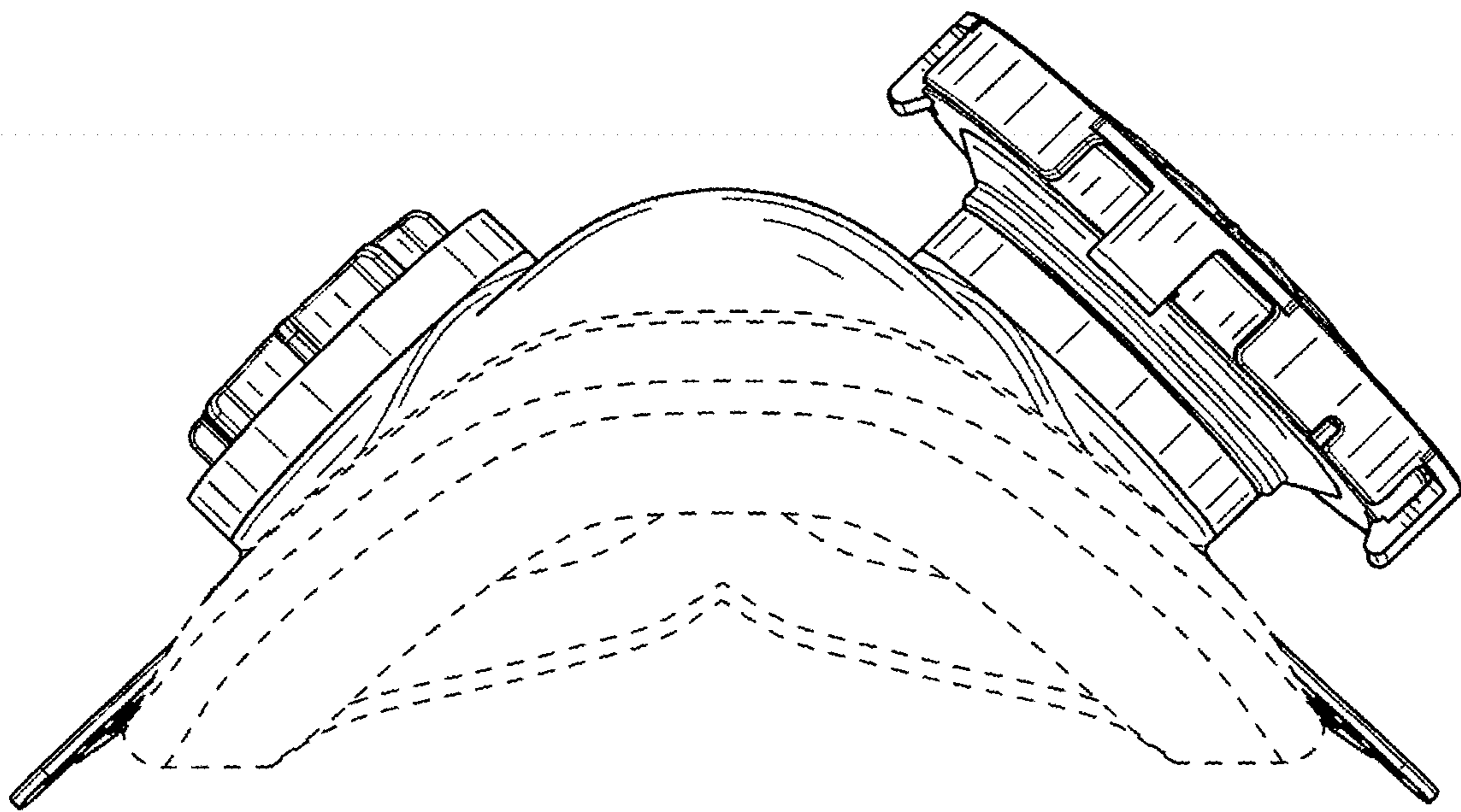


FIG. 18

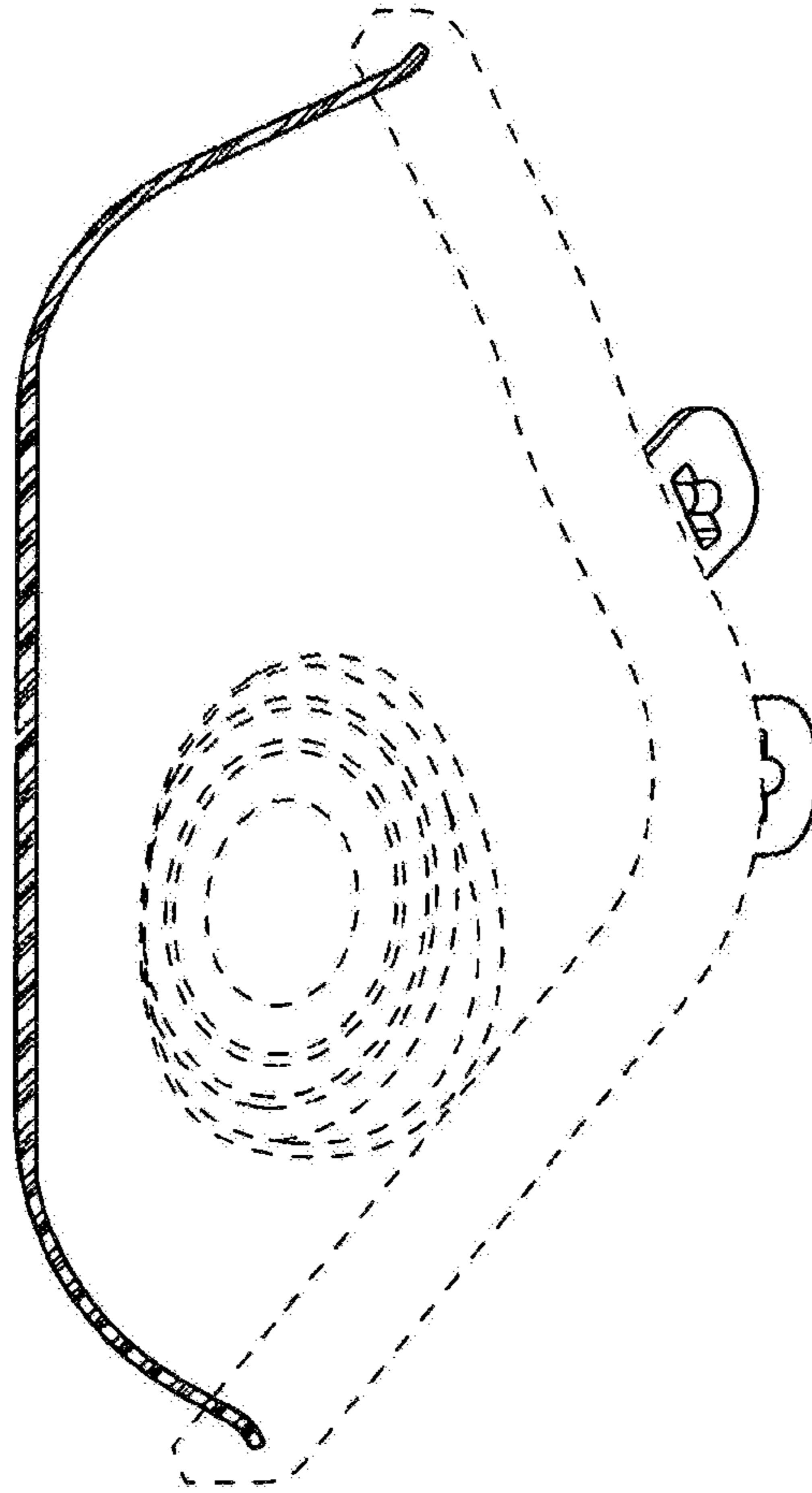


FIG. 19

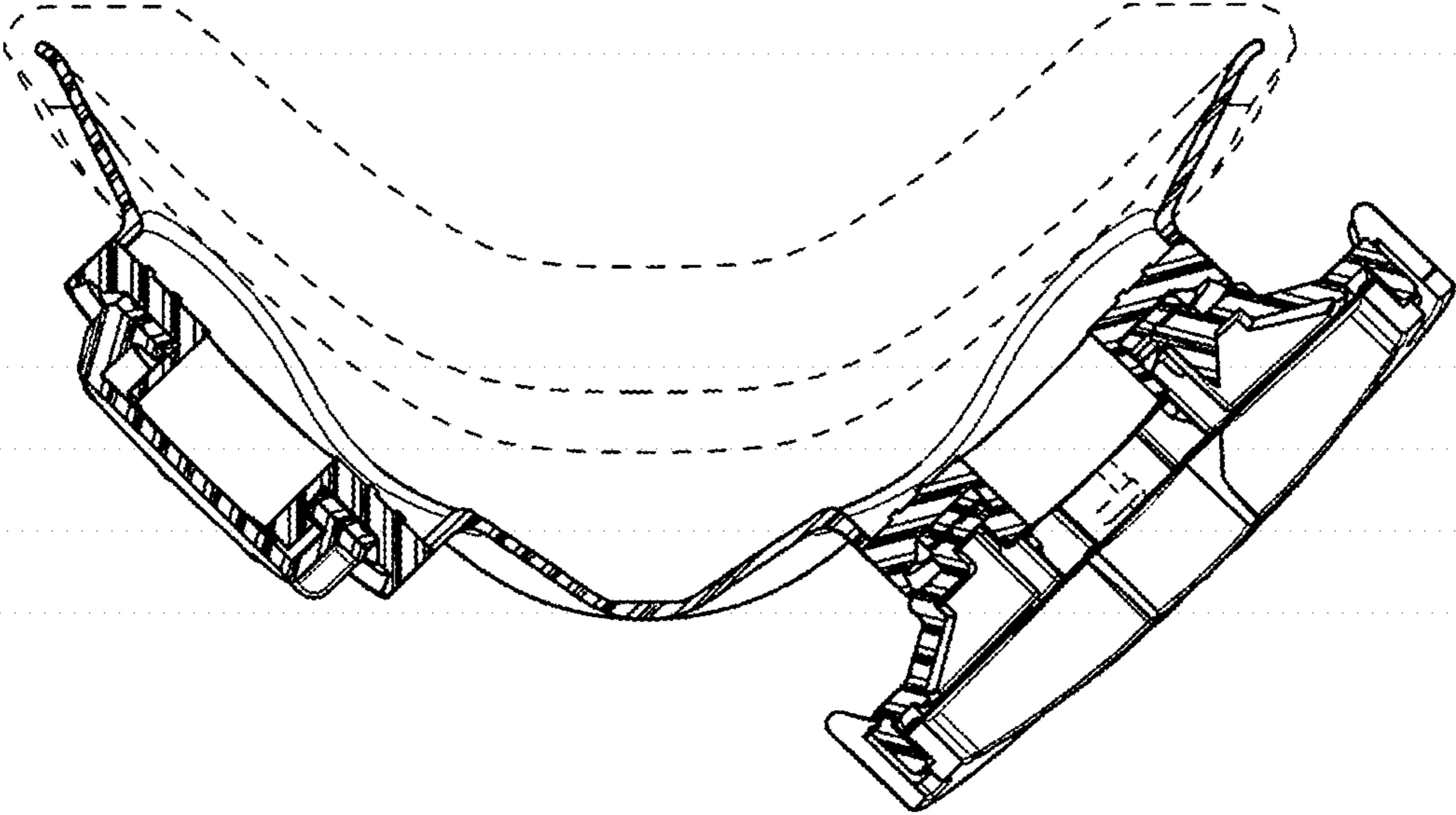


FIG. 20