



US00D946742S

(12) **United States Design Patent**
Zhang

(10) **Patent No.:** **US D946,742 S**

(45) **Date of Patent:** **** Mar. 22, 2022**

(54) **FLOOR FAN**

(71) Applicant: **Dongguan Jiuzuanwang Electronic Commerce Co., Ltd., Dongguan (CN)**

(72) Inventor: **Huayong Zhang, Hunan Province (CN)**

(**) Term: **15 Years**

(21) Appl. No.: **29/781,045**

(22) Filed: **Apr. 28, 2021**

(51) **LOC (13) Cl.** **23-04**

(52) **U.S. Cl.**
USPC **D23/378**

(58) **Field of Classification Search**
USPC D23/370, 371, 378-382, 385
CPC F24F 7/013; F24F 2221/20; F04D 29/281;
F04D 25/105; F04D 25/08; F04D 29/703
See application file for complete search history.

(56) **References Cited**

U.S. PATENT DOCUMENTS

D459,467 S * 6/2002 Wilson, Jr. D23/378
D520,132 S * 5/2006 Jones D23/378
D762,837 S * 8/2016 Yeung D23/378

D804,642 S * 12/2017 Wong D23/378
D827,121 S 8/2018 Wang et al.
D881,371 S * 4/2020 Hollinger D23/382
D891,602 S * 7/2020 Wang D23/378
D940,296 S * 1/2022 Park D23/411

* cited by examiner

Primary Examiner — Janice Hallmark

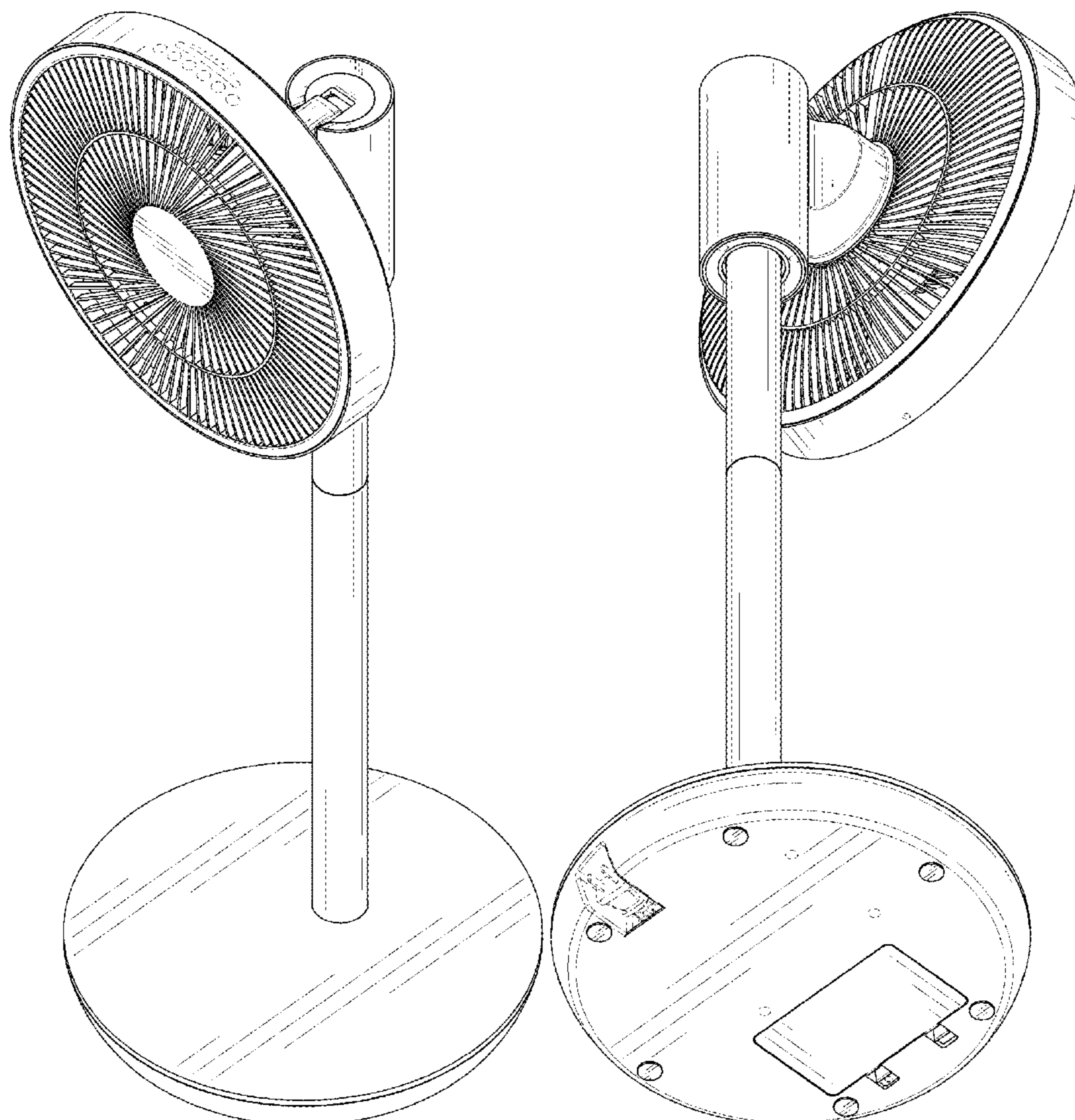
(57) **CLAIM**

The ornamental design for a floor fan, as shown and described.

DESCRIPTION

FIG. 1 is a front and top perspective view of a floor fan, showing my new design;
FIG. 2 is a rear and bottom perspective view thereof;
FIG. 3 is a front elevation view thereof;
FIG. 4 is a rear elevation view thereof;
FIG. 5 is a left side elevation view thereof;
FIG. 6 is a right side elevation view thereof;
FIG. 7 is a top plan view thereof; and,
FIG. 8 is a bottom plan view thereof.
The broken lines in the figures illustrate portions of the floor fan that form no part of the claimed design.

1 Claim, 8 Drawing Sheets



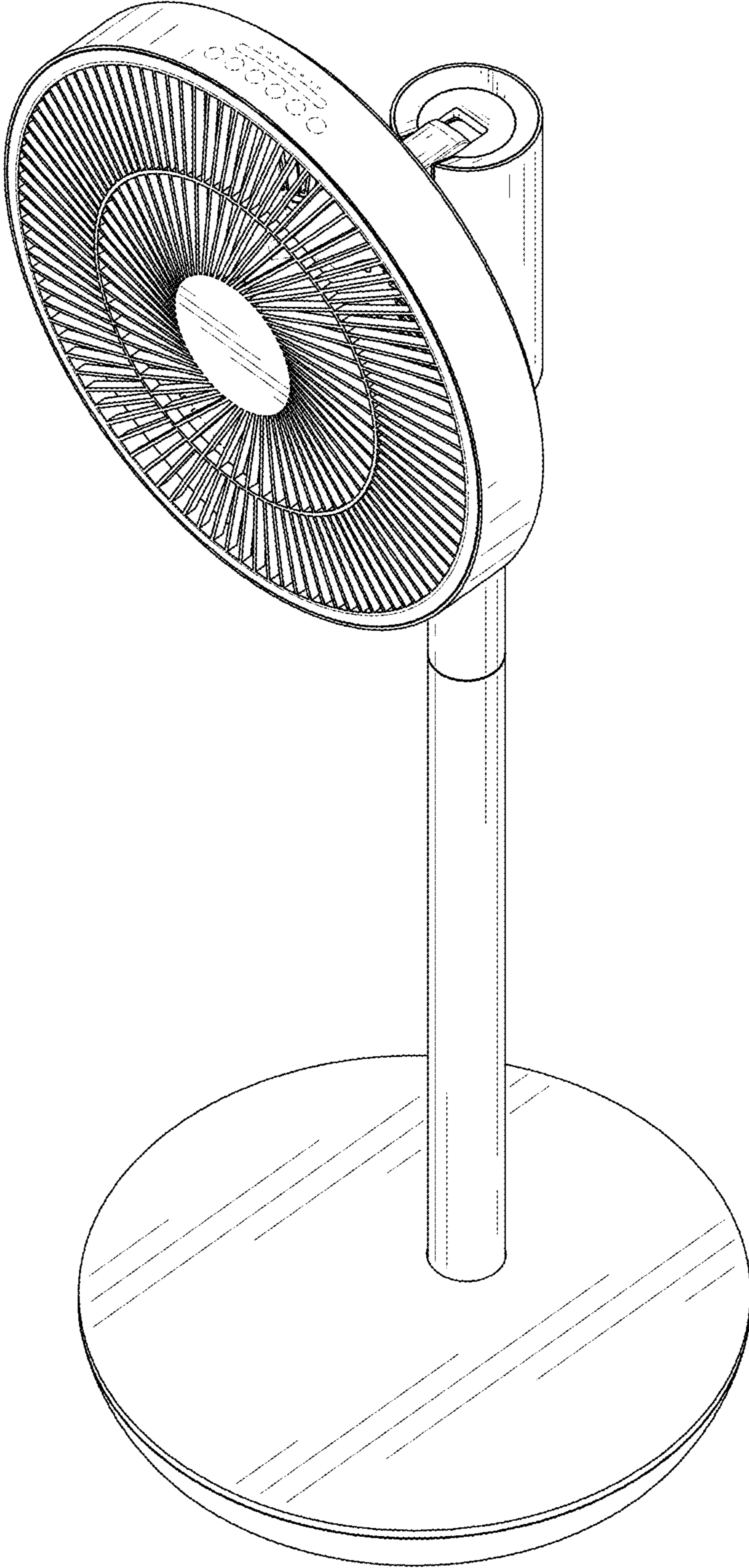


FIG. 1

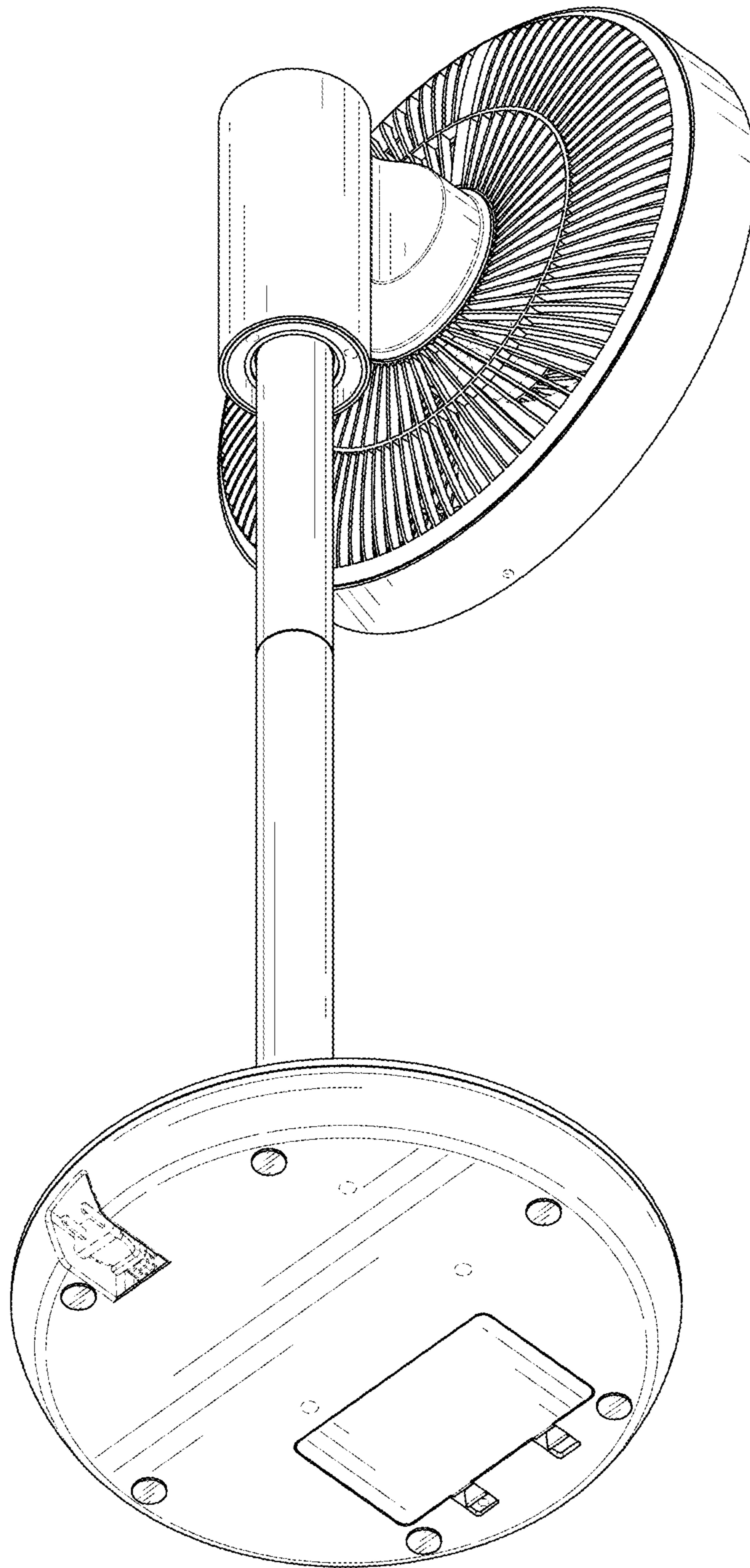


FIG. 2

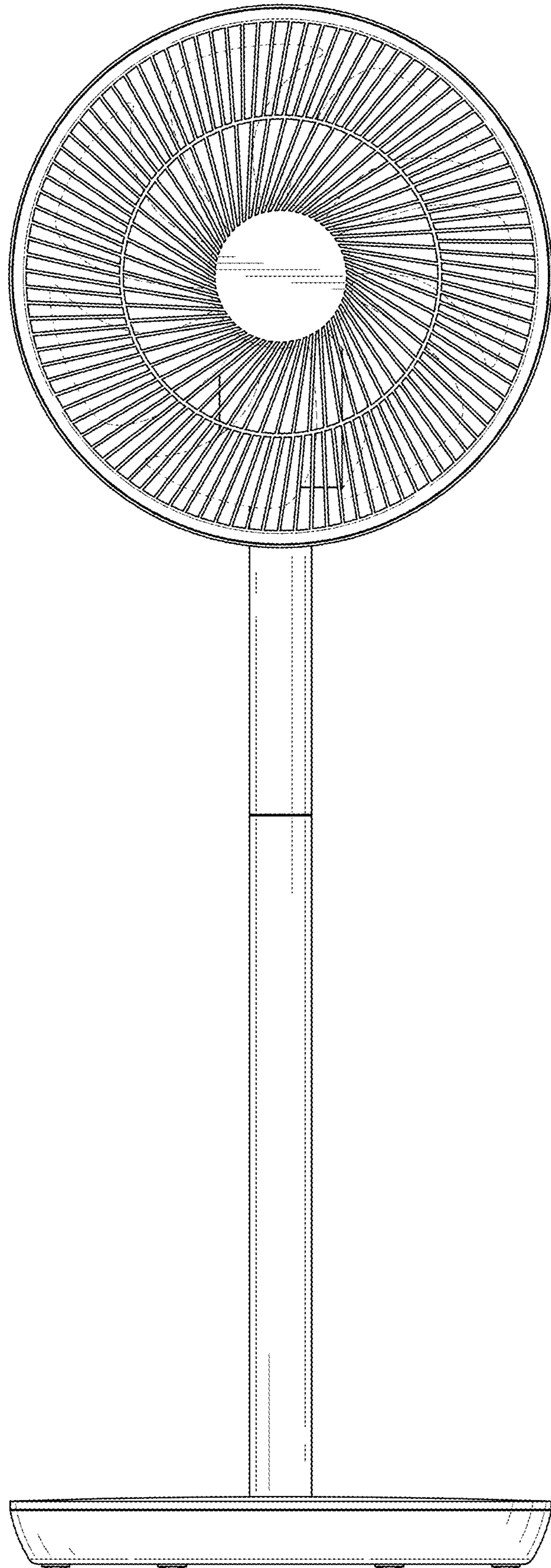


FIG. 3

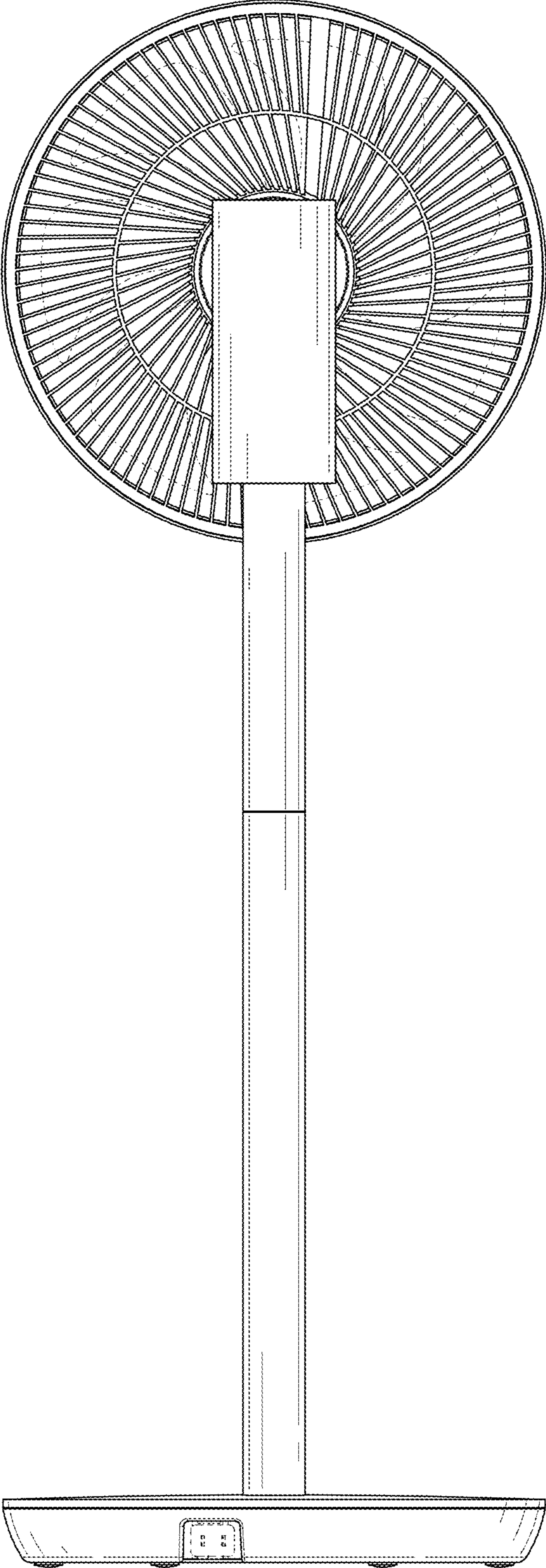


FIG. 4

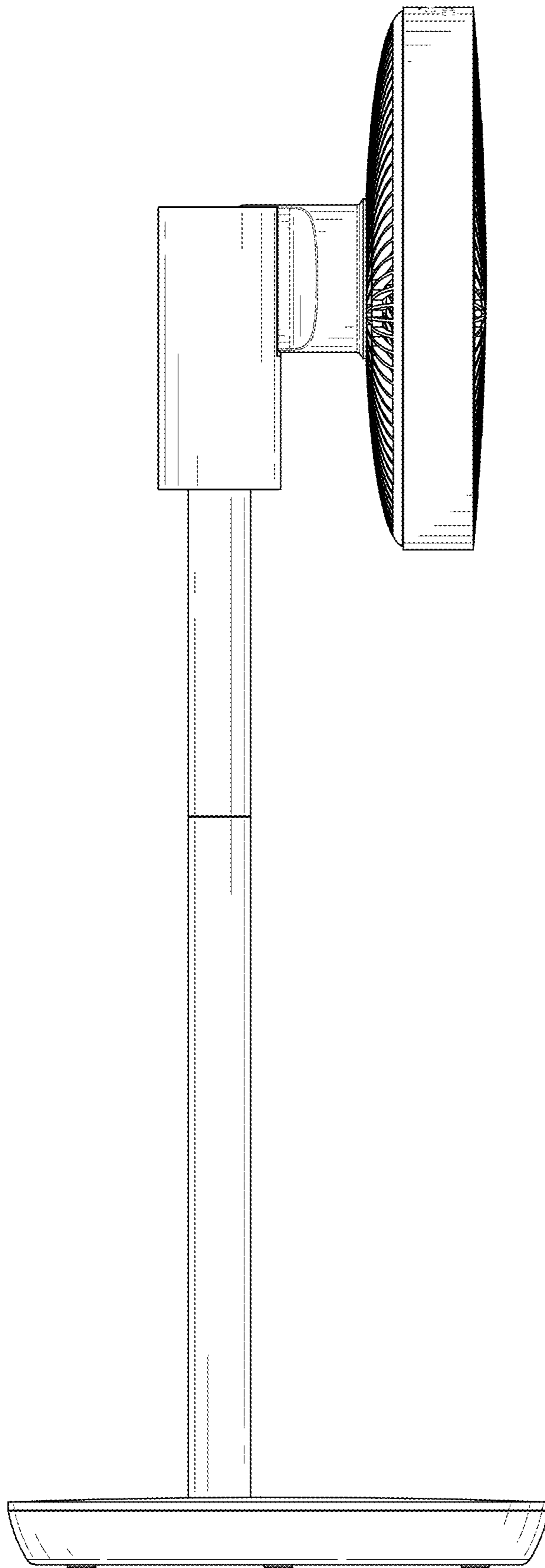


FIG. 5

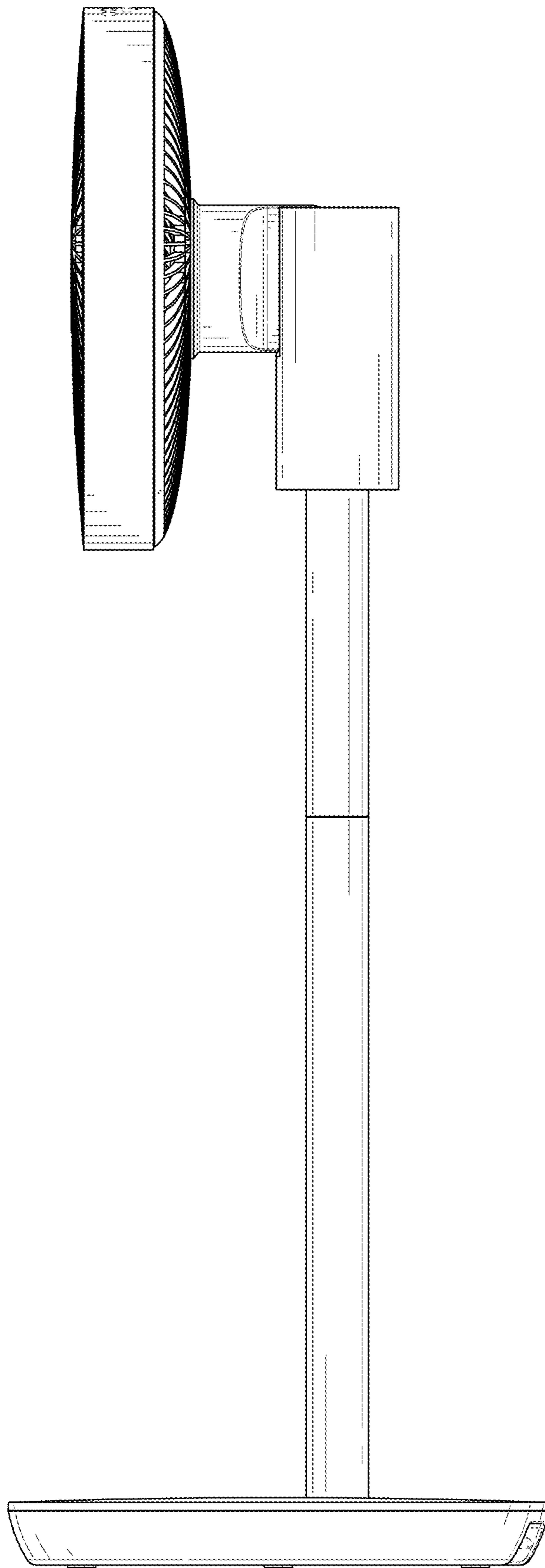


FIG. 6

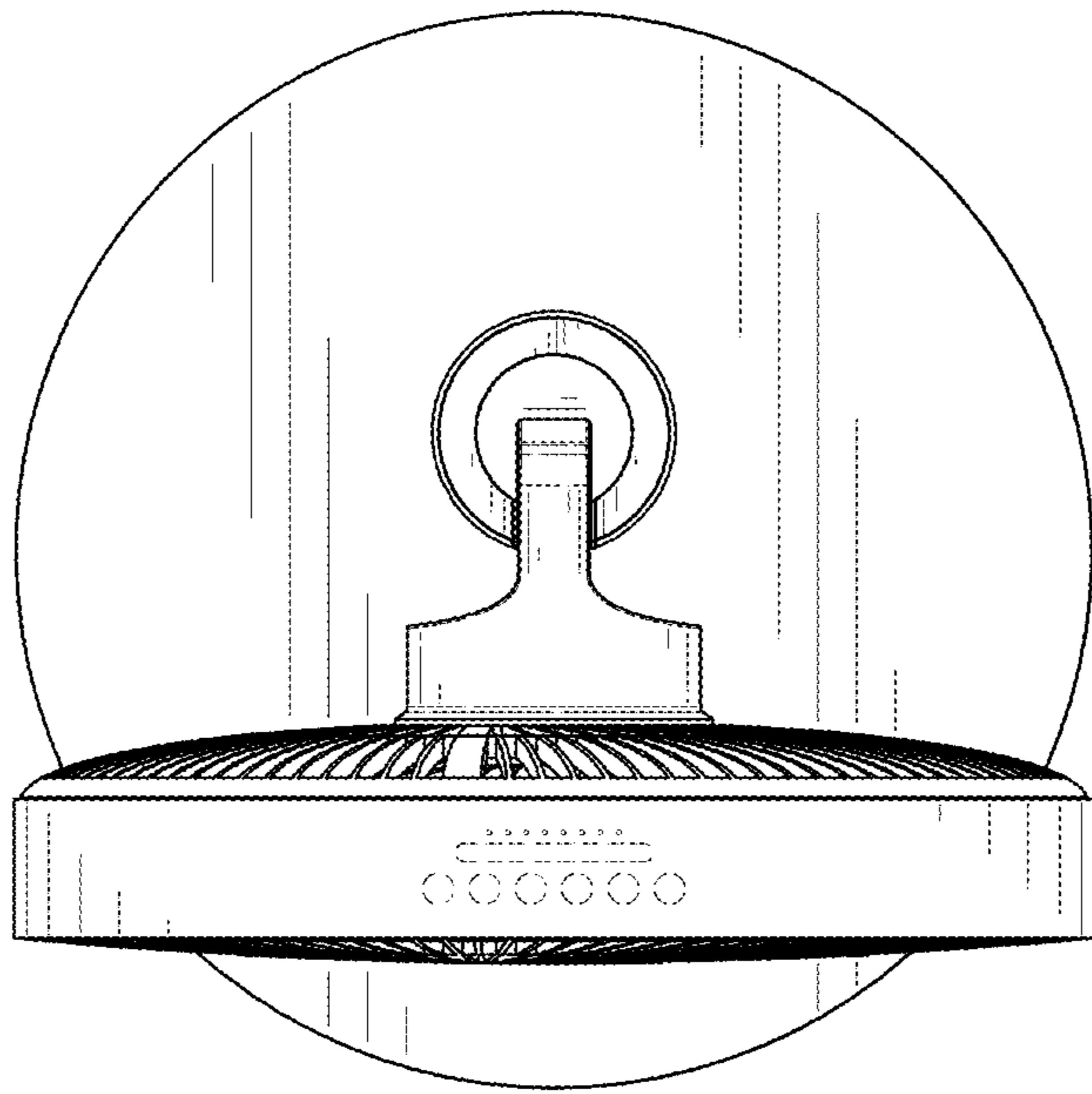


FIG. 7

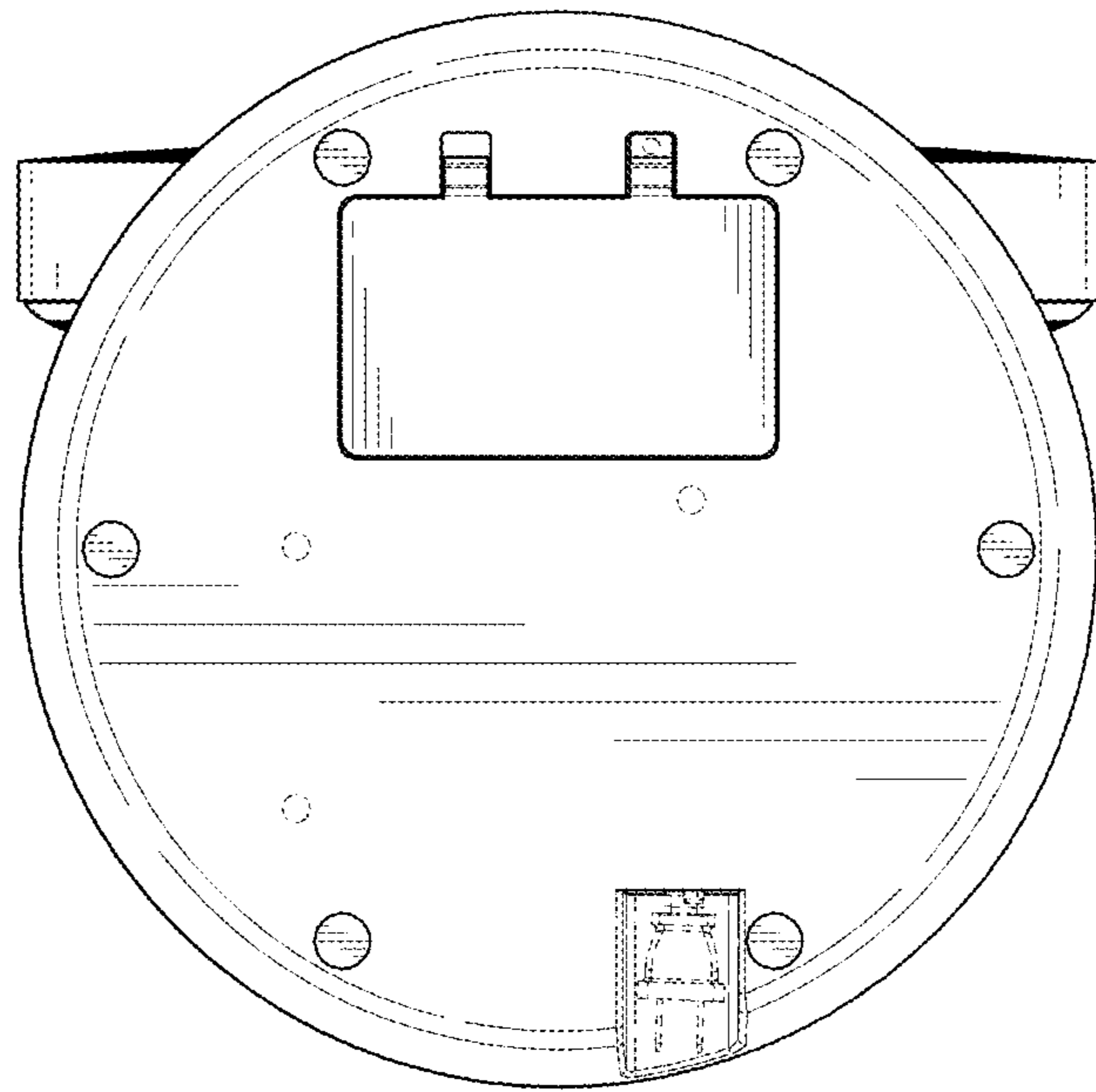


FIG. 8