



US00D946741S

(12) **United States Design Patent**
Martell et al.

(10) **Patent No.:** **US D946,741 S**
(45) **Date of Patent:** **** Mar. 22, 2022**

(54) **CEILING FAN**

(71) Applicant: **Hunter Fan Company**, Memphis, TN (US)

(72) Inventors: **Timothy Martell**, Minneapolis, MN (US); **Ryan Lee Eiffert**, Memphis, TN (US)

(73) Assignee: **Hunter Fan Company**, Memphis, TN (US)

(**) Term: **15 Years**

(21) Appl. No.: **29/724,530**

(22) Filed: **Feb. 17, 2020**

(51) **LOC (13) Cl.** **23-04**

(52) **U.S. Cl.**
USPC **D23/377**

(58) **Field of Classification Search**
USPC D23/370, 377, 385, 411, 413; D26/59
CPC .. F04D 25/088; F04D 29/005; F04D 29/4226;
F21V 33/0096; F21V 21/03; F21V 21/02;
F21V 3/02

See application file for complete search history.

(56) **References Cited**

U.S. PATENT DOCUMENTS

D628,688 S	12/2010	Pan
D632,381 S	2/2011	Davenport et al.
D771,794 S	11/2016	Wang
D800,891 S	10/2017	McRoberts et al.
D804,639 S	12/2017	Guthrie
D805,175 S	12/2017	Haggar
D834,734 S	11/2018	Guthrie

OTHER PUBLICATIONS

<https://www.hunterfan.com/ceiling-fans/tarrant-with-led-light-36-inch-fam984>, Hunter Fan Tarrant 36 inch Ceiling Fan with LED Light, Item No. 59304, accessed Apr. 24, 2019.

<https://www.minkagroup.net/f510l-wh.html>; Minka Aire Spacesaver 26" 3-Blade Ceiling Fan in White Finish with LED Light and Etched Opal Glass, Model No. F510L-WH, accessed Apr. 24, 2019.
<https://www.craftmade.com/montreal-mn44-led>, Craftmade Montreal 44" Ceiling Fan with Blades and Light Kit, Model Mo. MN44-LED, accessed Apr. 24, 2019.
<https://www.homedepot.com/p/Home-Decorators-Collection-Emery-56-in-LED-Seasoned-Wood-Ceiling-Fan-with-Remote-Control-AM641H-SW/305363982>, Home Decorators Collection Emery 56 in. LED Seasoned Wood Ceiling Fan with Remote Control, Model No. AM641H-SW, accessed Apr. 24, 2019.
<https://www.fanimation.com/products/index.php/hugh-44.html>, Fanimation Hugh 44" 3-Blade Indoor/Outdoor Ceiling Fan with LED, Model No. FPS8332B, accessed Apr. 24, 2019.
<https://www.homedepot.com/p/Hunter-Zilker-52-in-LED-Indoor-Brushed-Nickel-Ceiling-Fan-with-Remote-Control159237/301986861>, Hunter Zilker 52" LED Indoor Brushed Nickel Ceiling Fan with Remote Control, Model No. 59237, accessed Apr. 24, 2019.

(Continued)

Primary Examiner — Janice Hallmark

(74) *Attorney, Agent, or Firm* — McGarry Bair PC

(57) **CLAIM**

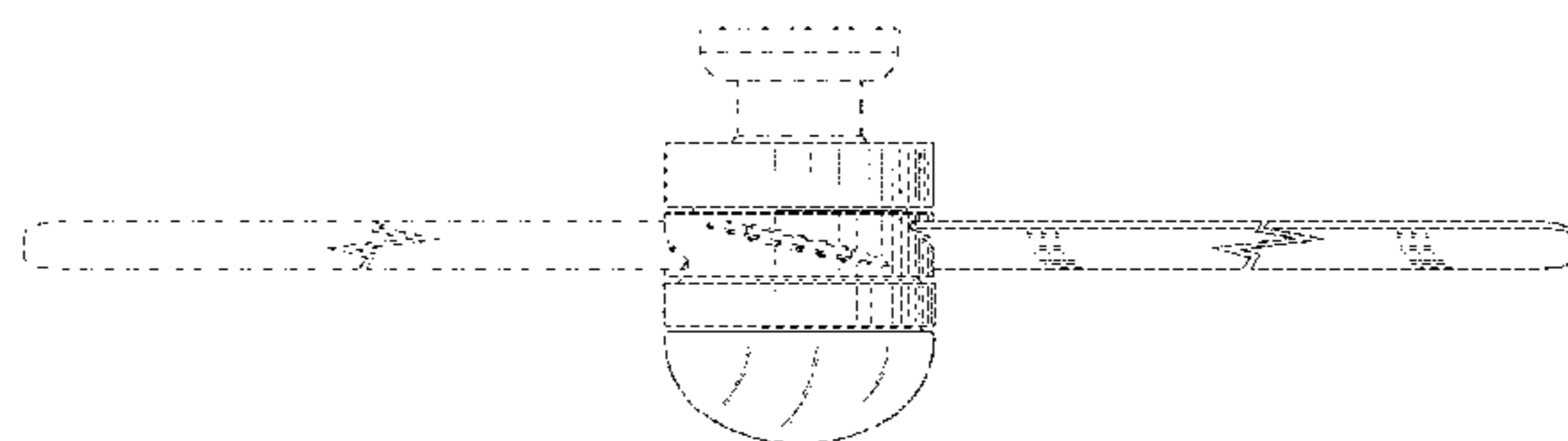
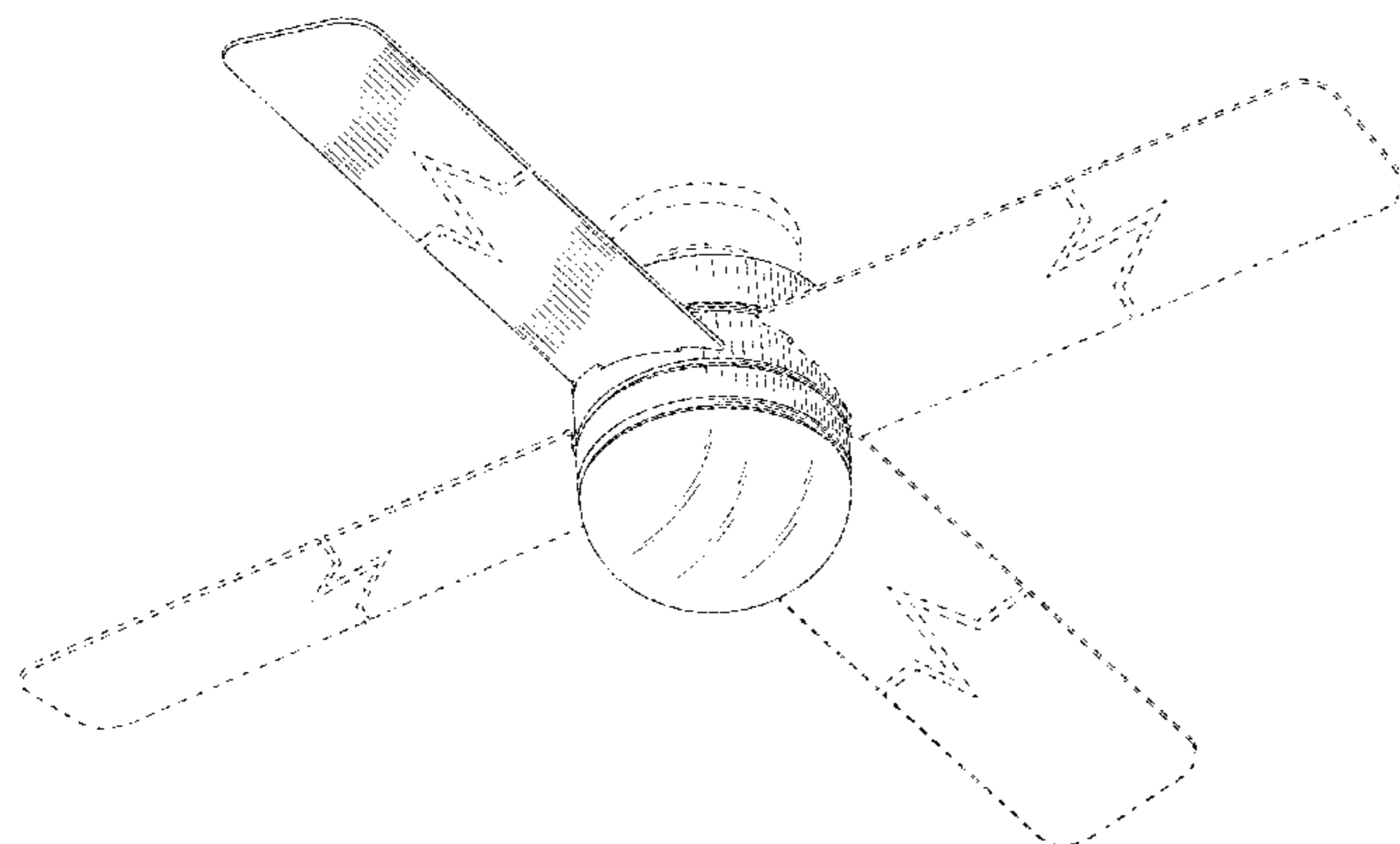
The ornamental design for a ceiling fan, as shown and described.

DESCRIPTION

FIG. 1 is a top perspective view of a ceiling fan, showing our new design;
FIG. 2 is a bottom perspective view thereof;
FIG. 3 is a top view thereof;
FIG. 4 is a bottom view thereof;
FIG. 5 is a front view thereof;
FIG. 6 is a right side view thereof;
FIG. 7 is a left side view thereof; and,
FIG. 8 is a rear view thereof.

Portions of the ceiling fan shown in broken lines form no part of the claimed design. Portions of the ceiling fan blades shown in jagged break lines define a symbolic break in the ceiling fan blades and form no part of the claimed design.

1 Claim, 8 Drawing Sheets



(56)

References Cited

OTHER PUBLICATIONS

<https://www.homedepot.com/p/Hunter-Anslee-46-in-Indoor-Low-Profile-Fresh-White-Ceiling-Fan-59269/300505200>, Hunter Anslee 46 in. Indoor Low Profile Fresh White Ceiling Fan, Model No. 59269, accessed Apr. 24, 2019.

<https://www.fanimation.com/products/index.php/fans/level.html>, Fanimation 44 In. 3-Blade Matte White LED Indoor Flush Mount Ceiling Fan with Light Kit, Model No. LP8347, accessed Apr. 24, 2019.

<https://www.hunterfan.com/ceiling-fans/exeter-with-led-light-54-inch-fan800>, Hunter Exeter with LED Light 54 inch Ceiling Fan, accessed Apr. 24, 2019.

<https://modernfan.com/fan/cirrus-flush-dc/>, Modern Fan 50" Citrus Flush Glass White with LED Light and White Blades, accessed Apr. 24, 2019.

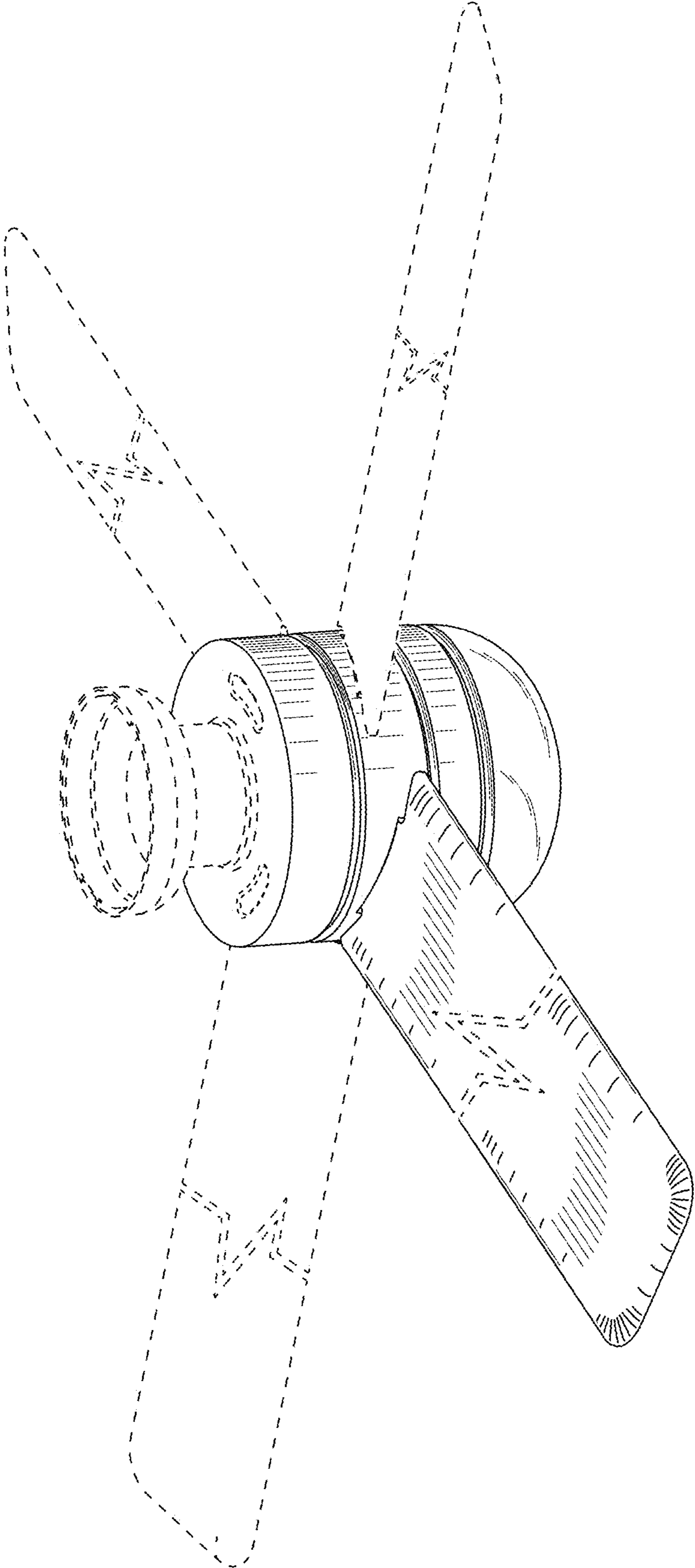


FIG. 1

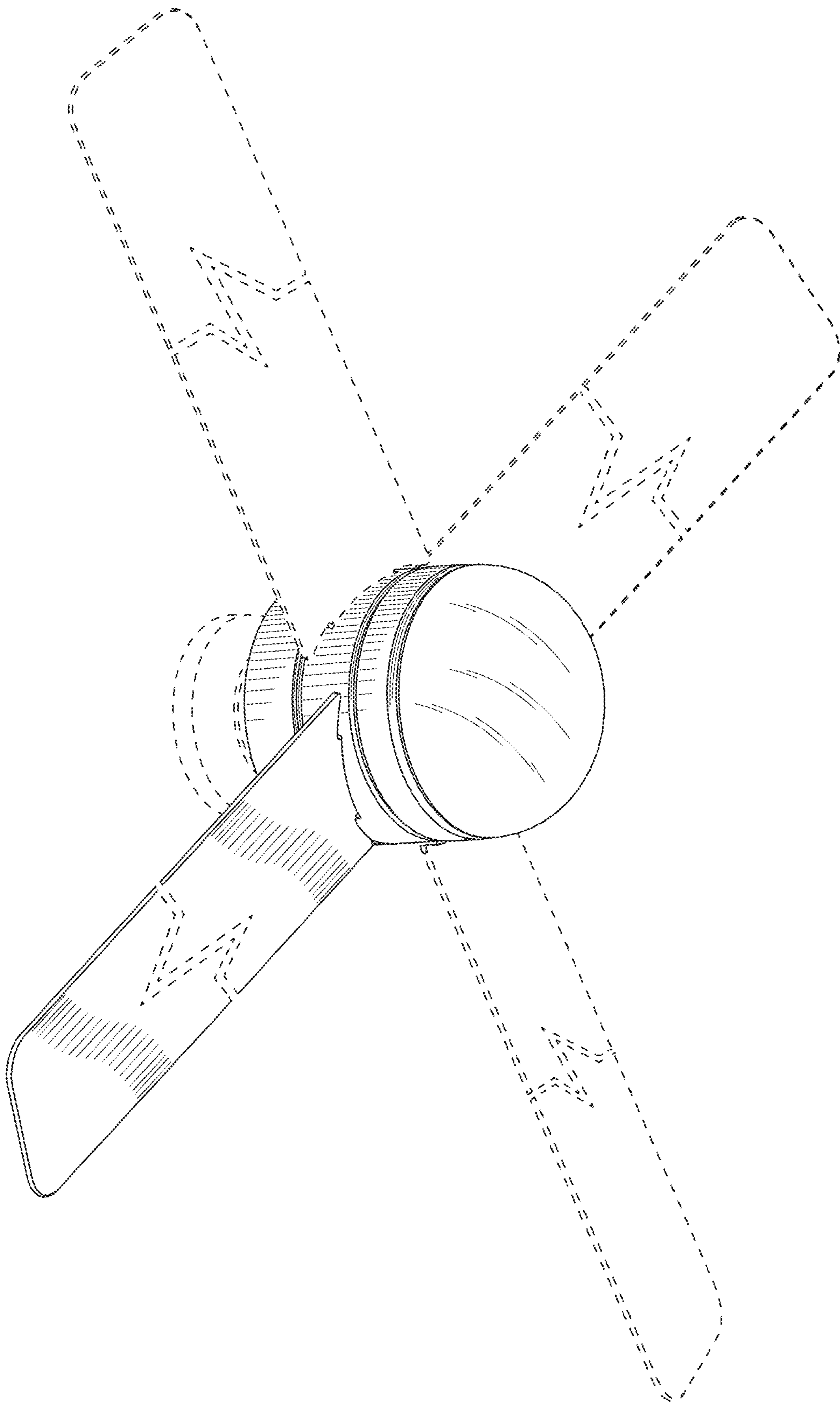


FIG. 2

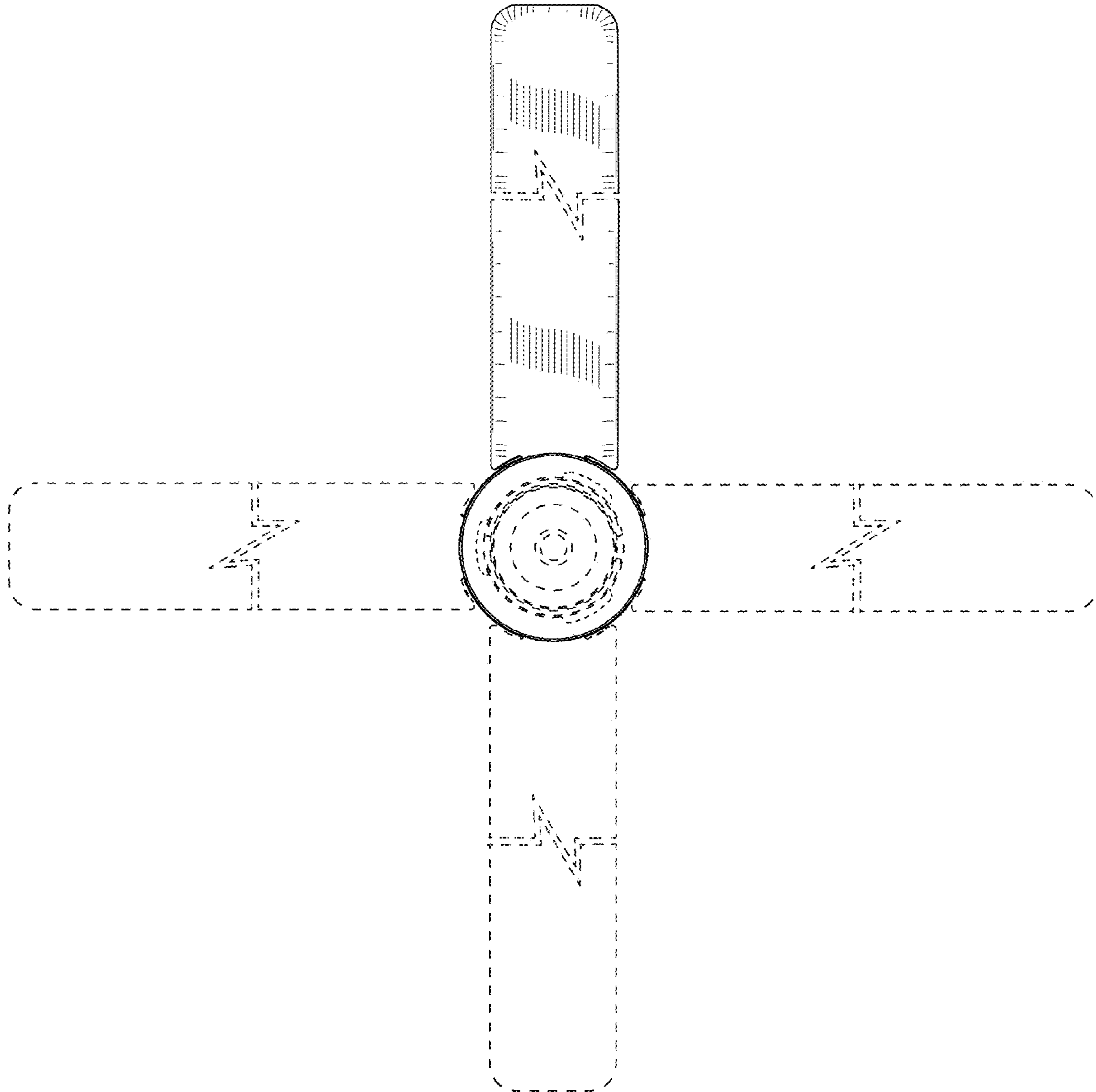


FIG. 3

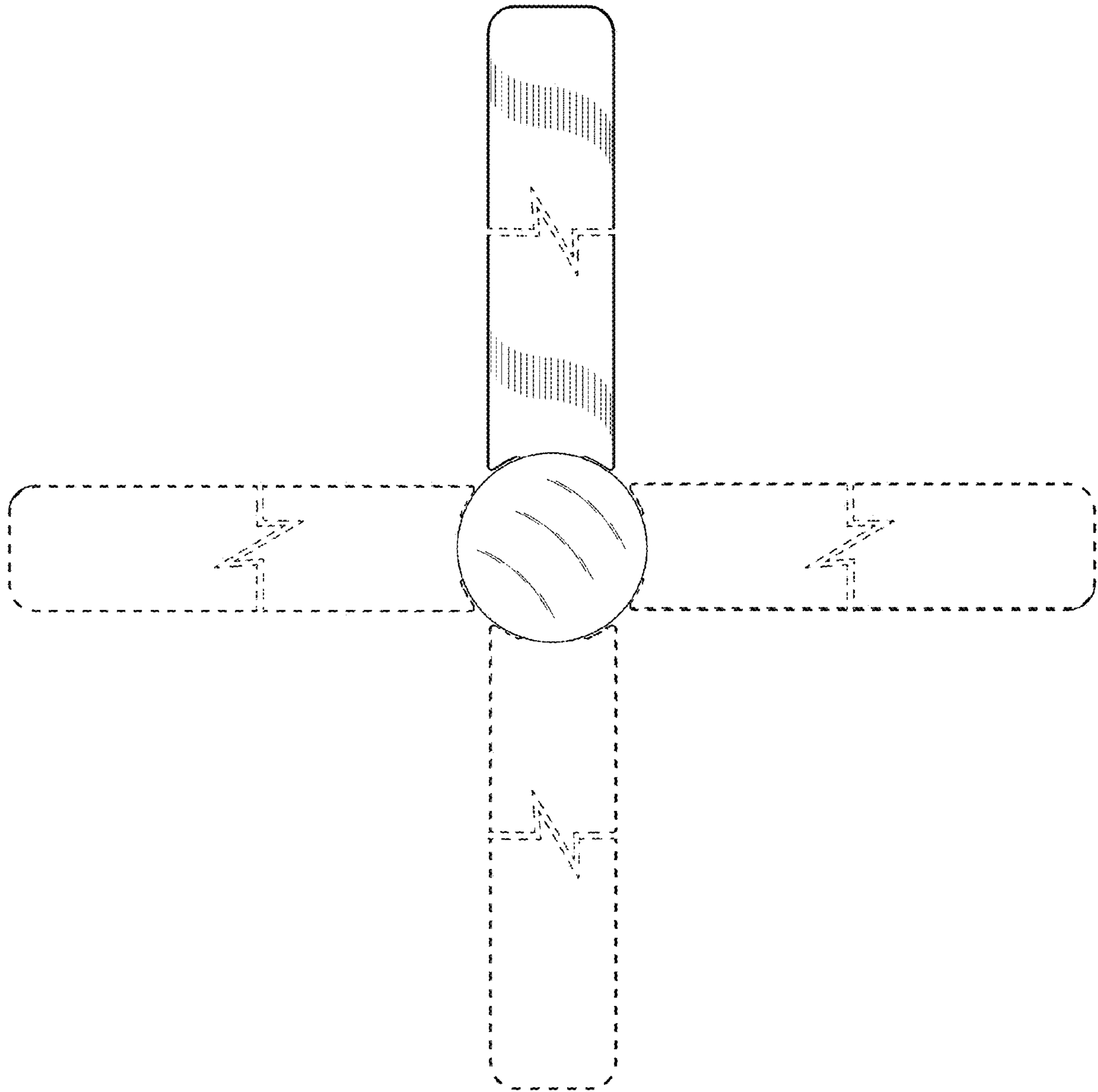


FIG. 4

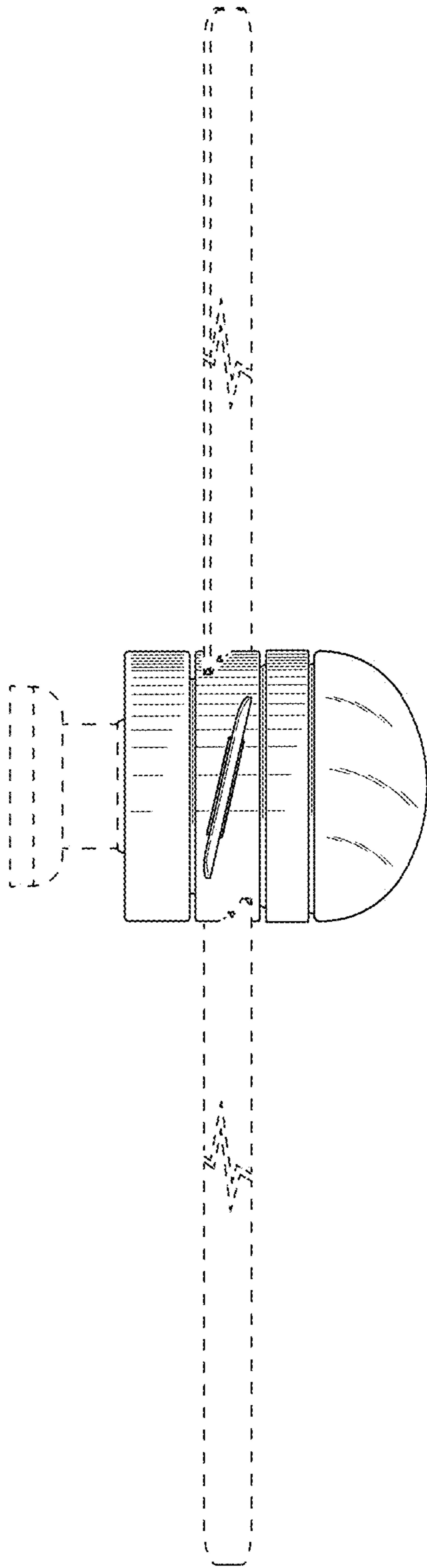


FIG. 5

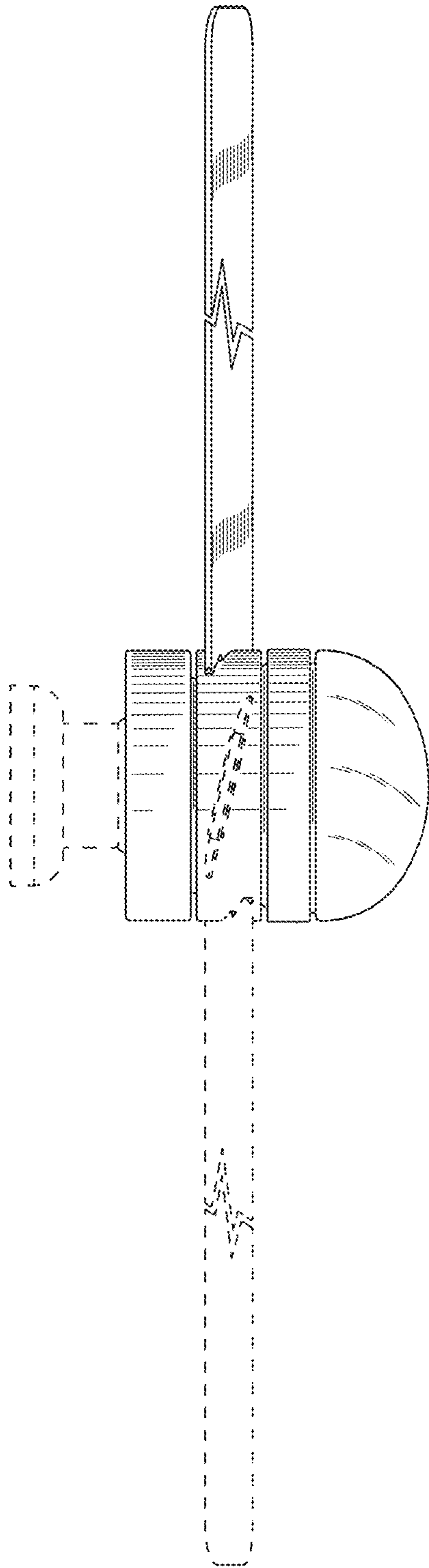


FIG. 6

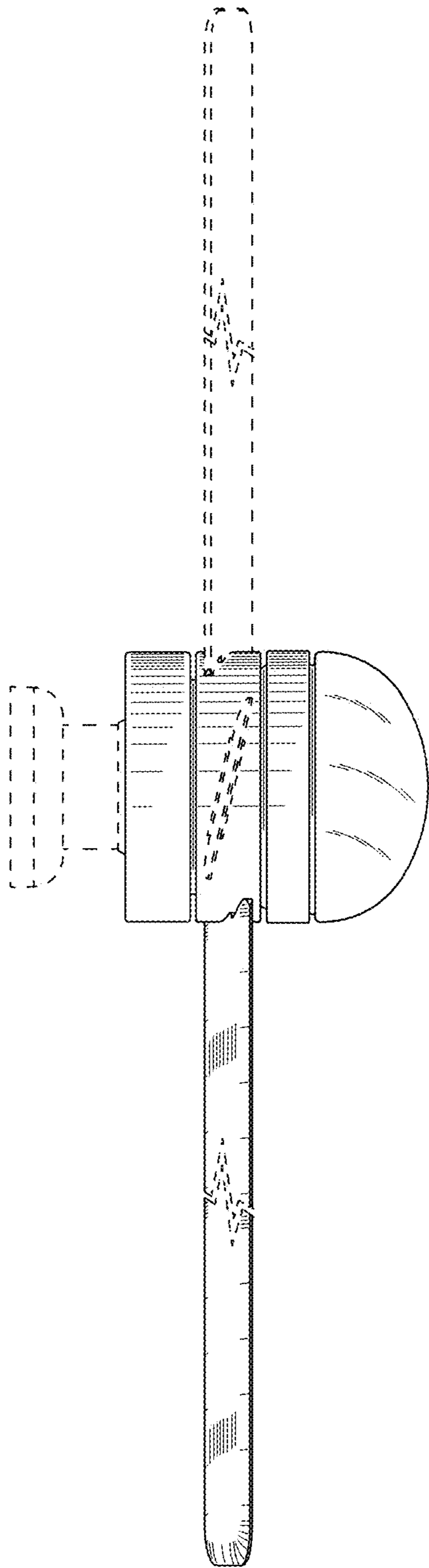


FIG. 7

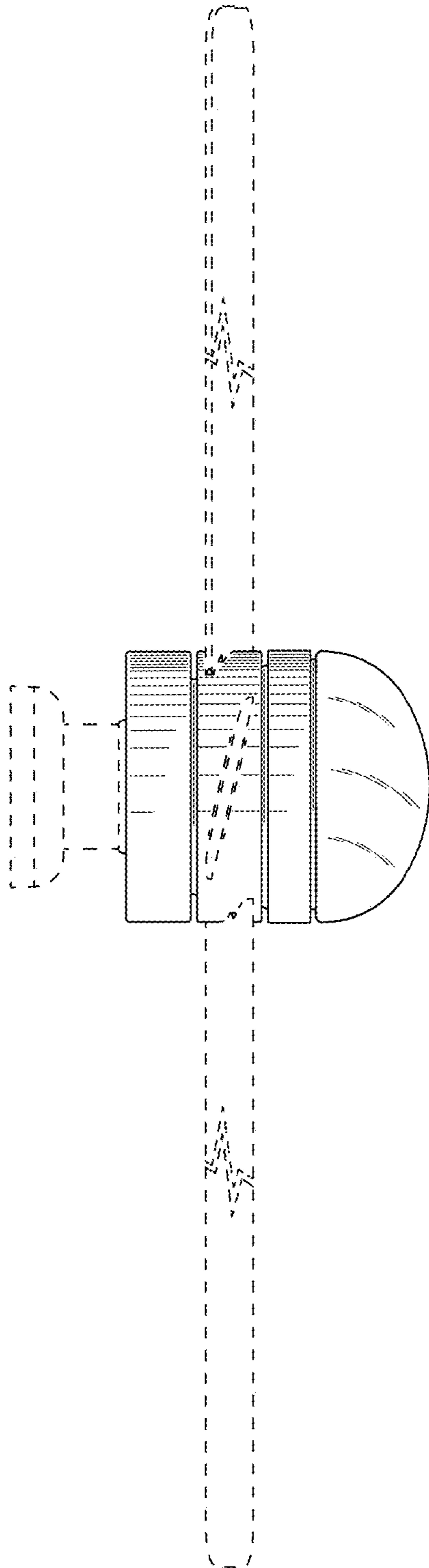


FIG. 8